

WORLDDSL RS UTU-732 QUICK REFERENCE GUIDE

Front-Panel Configuration Settings

OVERVIEW

The UTU-732 front-panel LEDs can be used to display system status and to configure system operating parameters. The front panel PROG button activates a program mode, where each pair of LEDs, numbered 1 through 8, serves as one position of a virtual DIP switch. Six virtual DIP switches are used to configure the system.

The PROG button selects virtual DIP switches 1 through 6 (the DIP switch number is indicated by the front-panel display). The CURSOR button selects the DIP switch position (green and red LED pairs 1 through 8). The SW ON/OFF button changes the state of the selected position (turns the LEDs on or off to obtain the desired parameter setting). See the instructions for “System Configuration” on the other side of this guide.

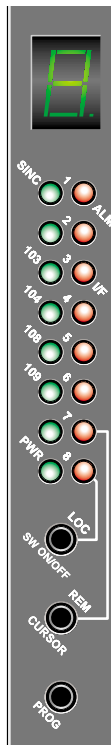


1145009
Product Number: 150-1425-32
Document Number: LTPE-RG-1016-01 Issue 1
February 15, 2001



Front-Panel Pushbutton Functions

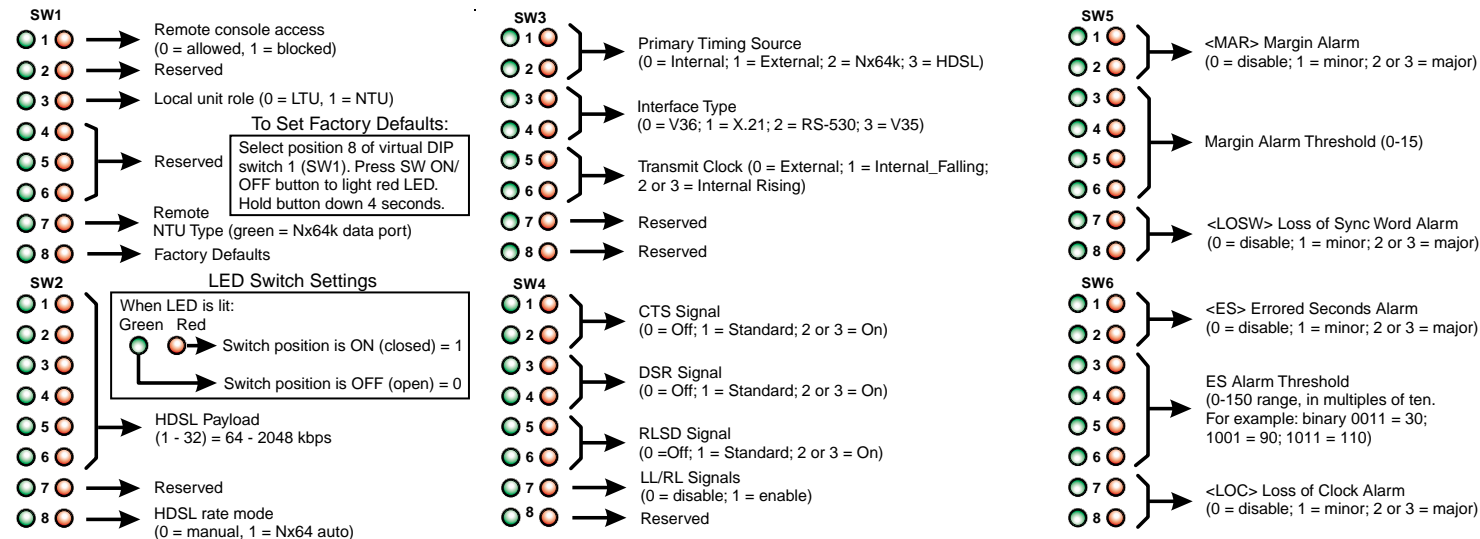
Pushbutton	Function
PROG	Enables local (LTU) and remote (NTU) program modes and selects virtual DIP switches 1 through 6 (display indicates “P” and then 1, 2, 3, and so on). Pressing the PROG button after the LTU is configured enables the remote program mode to configure the NTU from the LTU.
REM - CURSOR	In normal mode, activates the remote interface loopback. In program mode, selects virtual DIP switch positions 1 through 8 (that is, each pair of green and red LEDs). Stores configuration settings and exits program mode when pressed for 4 seconds (display indicates “C” when configuration is stored).
LOC - SW ON/OFF	In normal mode, activates the local HDSL analog loopback. In program mode, changes the state of the virtual DIP switch position selected by the REM - CURSOR button (that is, alternately turns the green and red LEDs on and off).



Front-Panel LED Functions

LED	System Status Function	Configuration Function
SINC (green #1)	Displays synchronization state for the HDSL loop.	SINC and ALM LEDs indicate the on/off state for virtual DIP switch position 1.
ALM (red #1)	Displays HDSL loop alarm state.	
Green/red pair #2	None	Indicate the on/off state for virtual DIP switch position 2.
103 (green #3)	Indicates that data is coming from the DTE.	103 and I/F LEDs indicate the on/off state for virtual DIP switch position 3.
I/F (red #3)	Displays data port alarm state.	
104 (green/red pair #4)	Indicates that data is being sent to the DTE.	104 LED and adjacent red LED indicate the on/off state for virtual DIP switch position 4.
106 (green/red pair #5)	Green LED indicates CTS signal. Red LED indicates that data being received from management card.	106 LED and adjacent red LED indicate the on/off state for virtual DIP switch position 5.
109 (green/red pair #6)	Green LED indicates RLSD signal. Red LED indicates that data is being sent to management card.	109 LED and adjacent red LED indicate the on/off state for virtual DIP switch position 6.
Green/red pair #7	Red LED indicates an active remote interface loopback.	Indicate the on/off state for virtual DIP switch position 7.
PWR (green/red pair #8)	Green LED indicates that the UTU is receiving power. Red LED indicates an active local HDSL loopback.	PWR LED and adjacent red LED indicate the on/off state for virtual DIP switch position 8.

Nx64k Configuration Settings - UTU-732



NOTE: The settings “1-32,” “2 or 3,” and “0-15” are binary values expressed as decimal numbers. For example, lighting red LEDs 1 through 4 of virtual DIP switch SW2 equals binary 1111 or decimal 15. Lighting red LEDs 1, 3, and 5 equals binary 10101 or decimal 21. The lowest number LED is the least significant bit (LSB).

The setting “2 or 3” means that either the most significant (higher number) red LED can be lit for a value of 2, or both the most and least significant red LED can be lit for a value of 3. Either setting will enable the mode selected.

System Configuration

1 To configure the LTU, press the PROG button. The front-panel display indicates “P” and then “1,” indicating that virtual DIP switch 1 (SW1) is ready for configuration.

2 Press the CURSOR button to select the desired DIP switch position. The LED at the selected position (either green or red, depending on current state) will blink.

3 Press the SW ON/OFF button to light the LEDs at the position selected. Lighting the green LED opens the switch position. Lighting the red LED closes the switch position (see “LED Switch Settings” in diagram above).

4 Press the PROG button to select the next virtual DIP switch and repeat steps 2 and 3.

5 When the LTU is configured, press the CURSOR button for 4 seconds. The LTU stores the configuration settings and exits the program mode.

6 To configure the NTU, press the PROG button for 4 seconds. The LTU front-panel display blinks rapidly, indicates “P,” and then “1.”

7 Repeat steps 2 through 5 for the NTU.

Copyright © 2001 ADC DSL Systems, Inc.
14402 Franklin Ave., Tustin, CA 92780-7013
Tel: 714.832.9922 Fax: 714.832.9924