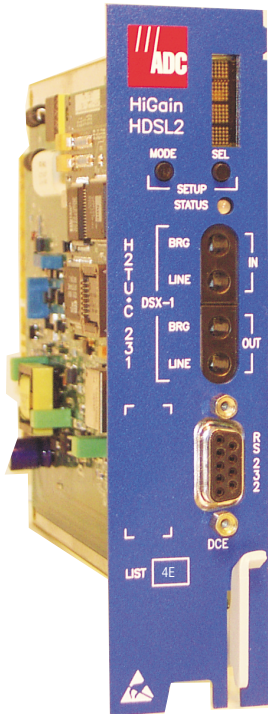


QUICK INSTALLATION



H2TU-C-231 LIST 4E LINE UNIT

H2TU-C-231 LIST 4E

The HiGain H2TU-C-231 List 4E functions as the Central Office (CO) end of a repeaterless T1 transmission system when connected to a HiGain HDSL2 remote unit (H2TU-R). Setting new standards for interoperability and efficiency, HiGain HDSL2 modules transmit a 1.544 Mbps T1 payload on one unconditioned copper pair over the full Carrier Service Area (CSA) range.

FEATURES

-
- Front-panel status LED, craft port, and four-character status display
 - Maintenance screens for inventory, provisioning, troubleshooting, and performance monitoring
 - Loss of Signal/Alarm Indication Signal (LOS/AIS) payload alarm option
 - Grounded loop detection
 - Report menu option for downloading status and performance monitoring data to a file
 - Ultra-low wander
 - Payload (PL) or HiGain (HG) loopback source identification
 - Bipolar Violation Transparency (BPVT) option
 - Performance Report Messaging (SPRM and NPRM)
 - Bit Error Rate (BER) alarm option
 - Power Back Off Network (PBON) and Power Back Off Customer (PBOC) for configuring HDSL2 transmit power levels
 - Digital Data Service (DDS) latching loopback option
 - Supports the in-band 100 loopdown and 100000 loopup command when SmartJack loopback (LPBK) option is enabled
 - Sources sealing current when connected to an H2TU-R-402 List 5E or higher
-

SPECIFICATIONS

Operating Temperature	-40°F to +149°F (-40°C to +65°C)
Operating Humidity	5% to 95% non-condensing
HDSL2 Span Voltage	0 or -180 Vdc \pm 5 Vdc
Mounting	220 mechanics, high-density shelf
HDSL2 Line Rate	1.552 Mbps Overlapped Pulse Amplitude Modulation Transmission with Interlocking Spectra (OPTIS)
HDSL2 Output	+16.8 dBm \pm 0.5 dBm, 135 Ω (0-450 kHz) at CO side +16.5 dBm \pm 0.5 dBm, 135 Ω (0-350 kHz) at remote side
Maximum Loop Attenuation	35 dB at 196 KHz, 135 Ω
DSX-1 Line Rate	1.544 Mbps \pm 200 bps
DSX-1 Line Format	Alternate Mark Inversion (AMI) or Bipolar with 8-Zero Substitution (B8ZS)
DSX-1 Frame Format	Extended SuperFrame (ESF), SuperFrame (SF), or Unframed (UNFR)
DSX-1 Pulse Output	6 V ^{pk-pk} , pre-equalized for 0 to 655 feet of ABAM cable
DSX-1 Input Level	+1.5 to -7.5 dB DSX

1 INSTALLATION

To ensure proper installation of the H2TU-C-231, align the unit with the enclosure slot guides and slide the unit in. When the H2TU-C is properly seated, the retaining latch snaps closed.

2 POWER-UP SEQUENCE

When the H2TU-C powers up, the four-character display illuminates and reports status messages.

If the H2TU-C is not communicating with the H2TU-R, it displays various alarm and status messages.

If the H2TU-C is communicating with the H2TU-R, the following occurs:

- 1 The Status LED flashes red while acquiring the H2TU-R and turns a steady green when the entire system is operating with no alarms. (The DS1 signal must be present.)
- 2 The four-character display reports margin (SNR) readings (should be ≥ 6 dB) and loop attenuation (should be <35 dB @ 196 KHz).
- 3 After the system powers up, alarm conditions exist and are reported on the display. (The H2TU-C reports alarms if no DS1 signal is applied.)

3 PROVISIONING

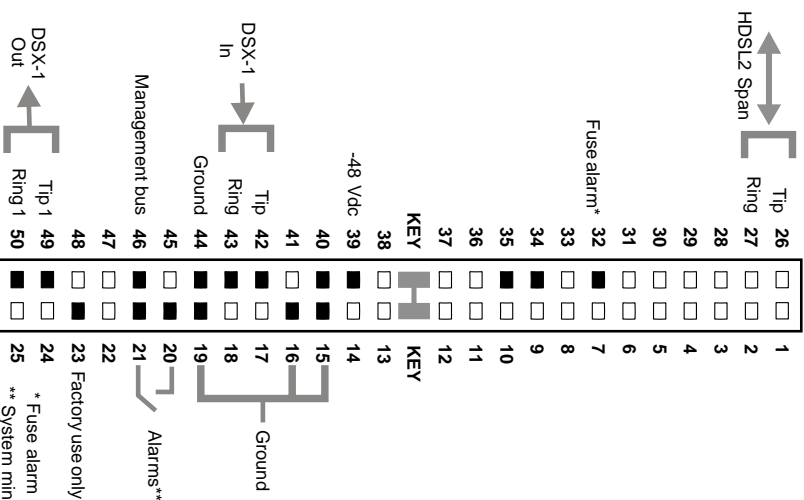
After installing the H2TU-C, perform these basic provisioning tasks by accessing the logon screen. Refer to the onscreen Help menu for navigational aids or use the **SPACEBAR** (to cycle through selections), **ENTER** (to activate the current setting, choice, or to display a menu), **ESC** or **F11** (to return to the parent menu), or directional arrow keys (to navigate to a menu or item).

- 1 Connect a maintenance terminal to the craft port (see front-panel illustration inside), then press **CTRL** + **R** to refresh the logon screen, if necessary.
- 2 Select the Config menu, **Date and Time**, then type the date and time.
- 3 Select the Inventory menu, then type in the unit ID numbers.
- 4 Change the settings of any system parameters, if necessary, by selecting the Config menu, **Standard Options** or **ADC Options**. (Configuration options can also be set from the front panel using the MODE and SEL pushbuttons. See the “Front-Panel Configuration Options Using MODE and SEL” table inside.)
- 5 Once the H2TU-C is successfully installed and provisioned, access the Performance or Event Log menu to clear the Performance, Alarm History, or Event Log screens, or use Master Clear in the Config menu. This ensures collection of accurate and meaningful data thereafter.

Continued



Card-Edge Connector



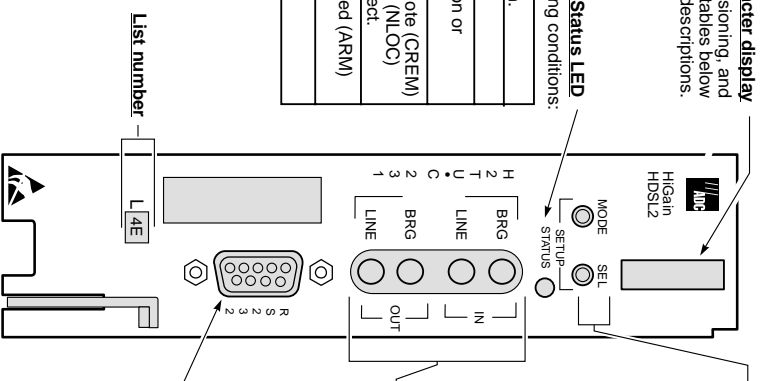
Four-character display

Displays status, provisioning, and alarm messages. See tables below for a list of message descriptions.

Status LED

Status LED reports the following conditions:

Green LED	Normal operation.
Red LED	Fuse alarm.
Flashing Red LED	HDSL2 acquisition or system alarm.
Yellow LED	A Customer Remote (CREM) or Network Local (NLOC) loopback is in effect.
Flashing Yellow LED	System is in Armed (ARM) mode.
Off	Line power is off.



MODE and SEL pushbuttons (for manual setting of system parameters)

Use MODE and SEL to manually modify user options, initiate loopbacks, and display DSX-1 line parameters.

- 1 Press the MODE pushbutton for 1 second and release. The front panel alternately displays the first system parameter and its current setting.
- 2 Press SEL to step through all possible settings for the displayed parameter.
- 3 Press MODE to update the parameter and advance to the next parameter.
- 4 After scrolling through all the parameters, press SEL to confirm changes when prompted with a CONF NO message, or press MODE to cancel all changes.

DSX-1 test access jacks

Connect standard test equipment.

BRG	Provides non-intrusive bridging jack access to (IN) and from (OUT) the HDSL2 span at the DSX-1 interface. Allows monitoring of the DS1 payloads.
LINE	Provides splitting jack access to (IN) and from (OUT) the HDSL2 span at the DSX-1 interface.

Craft port provisioning

To access all system maintenance, provisioning, and performance screens, connect a standard 9-pin terminal cable between the serial port on a PC and the H2TU-C craft port.

Maintenance Terminal Modem Settings

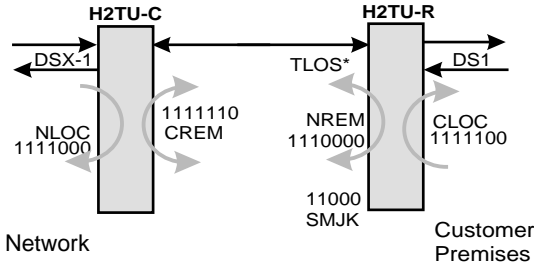
9600 baud
8 data bits
No parity
1 stop bit
Hardware flow control: OFF
Terminal emulation: VT100

* Fuse alarm is normally floating and at -48 Vdc when activated.

** System minor alarm contacts (pins 20 and 21) are normally open; they close upon alarm.

4 LOOPBACK TESTING

Initiate loopback testing from the maintenance menus or use the MODE and SEL pushbuttons. The in-band codes shown below can be sent by a test set.



* When enabled, TLOS is an automatic loopback that occurs with an LOS at the remote DS1 input.

GNLB Loopback Commands

Loopback	In-band Code	Description
NLOC	1111000	DSX-1 signal is looped back to the network at the H2TU-C.
NREM	1110000	DSX-1 signal is looped back to the network at the H2TU-R.
SMJK	11000	DSX-1 signal is looped back to the network at the H2TU-R SmartJack module.
CREM	1111110	DS1 signal from customer is looped back to the customer at the H2TU-C.
CLOC	1111100	DS1 signal from customer is looped back to the customer at the H2TU-R.
Loopdown	11100	Deactivates any of the above loopbacks.

Copies of this publication or the technical practice (LTPH-TP-1034-xx) can be downloaded from the ADC website at www.adc.com. To order a hard copy, please contact your sales representative.

Front-Panel Alarm Messages^(a)

Message	Description (listed in priority order)
PWR FEED SHRT ^(b)	A short between the Tip and Ring of the HDSL2 pair.
PWR FEED GND ^(b)	The HDSL2 loop is grounded.
PWR FEED OPEN ^(b)	A line-power open condition.
SPN1-LOSW	The HDSL2 loop has lost synchronization.
LLOS	No signal is detected at the DSX-1 input to the H2TU-C.
RLOS	No signal is detected at the DS1 input to the H2TU-R.
LAIS ^(c)	Line Alarm Indication Signal.
RAIS ^(c)	Remote Alarm Indication Signal.
TRCI ^(c)	An RAI alarm (yellow) from the CPE with an error-free signal from the line unit or network.
RRAI ^(c)	An RAI alarm (yellow) from the Customer Premises Equipment (CPE) with errors from the line unit or network.
xxx-DBER ^(c)	A system DS1 Bit Error Rate (BER) alarm. (xxx denotes either TUC or TUR.)
PRMF ^(c)	H2TU-R Performance Report Messaging BER threshold exceeded at far end.
PRMN ^(c)	H2TU-R Performance Report Messaging BER threshold exceeded at near end.
xxx-HBER	A system HDSL2 Block Error Rate (BER) alarm. (xxx denotes either TUC or TUR.)
xxx-MAL	The margin on the HDSL2 loop has dropped below the threshold setting. (xxx denotes either TUC or TUR.)
xxx-LA	The attenuation on the HDSL2 loop has exceeded the maximum threshold value. (xxx denotes either TUC or TUR.)

- (a) Front-panel alarm messages are listed in order of priority. ALRM displays prior to any alarm message. Pressing the SEL button initiates an Alarm Cutoff (ACO) message.
 (b) Message displays repeatedly as long as the alarm condition exists and is not included in the priority order.
 (c) Does not activate the alarm relay access pins 20 and 21.



To comply with the intrabuilding wiring requirements of GR-1089 CORE, Section 4.5.9, the shields of the ABAM-type cables that connect the H2TU-C-231 List 4E DSX-1 output ports to the cross-connect panel must be grounded at both ends.

*Front-Panel Diagnostic Messages
(normal operating messages in bold)*

Message	Description
A=xx	The loop attenuation of the longest (maximum loss) span, measured in dB.
ACQ	The multiplexers of the H2TU-C-231 and H2TU-R are trying to establish synchronization.
ARM	Armed to respond to Intelligent Repeater Loop (ILR) codes.
BAD RT?	The H2TU-C is not receiving a response from the H2TU-R.
FERR	A framing bit error occurred at H2TU-C DSX-1 input.
FLDL	Flash download of firmware upgrades. (Contact Customer Service for upgrade procedures.)
HES	H2TU-C HDSL2 loop cyclical redundancy check (CRC) error.
LBPV	A local bipolar violation has been received at the DSX-1 input to the H2TU-C.
M=xx	Indicates the power of the received HDSL2 signal relative to noise (S/N with respect to 21.5 dB). Any value of 6 dB or greater is adequate for reliable system operation.
MNGD	The H2TU-C is under control of the H2TU-319 network management unit.
PWR FEED OFF	HDSL2 span power is turned off.
PWR FEED ON	Indicates that the HDSL2 loop is not grounded or shorted.
SIG	The transceivers of the H2TU-C and H2TU-R are trying to establish contact with each other over Span 1 of the HDSL2 loop.

Front-Panel Configuration Options Using MODE and SEL^(a)

Display Code	Description (default values in bold).
EQL	Sets the DSX-1 Equalizer to: EXT (replaces the internal equalizer with an external equalizer), 0 (0 to 132 ft.), 133 (133 to 265 ft.), 266 (266 to 398 ft.), 399 (399 to 532 ft.), 533 (533 to 655 ft.).
RLBO	Sets the H2TU-R line buildout to 0 dB, -7.5 dB , or 15 dB.
LPBK	Enables (ENA) or disables (DIS) SmartJack loopback commands.
FT1	Enables (ENA) or disables (DIS) system response to DDS latching loopback commands for fractional T1 applications.
SPLB xxxx	Configures system for generic (GNLB) or special inband loopback commands (A2LB, A3LB, A4LB).
PWRF	OFF = disables HDSL2 powering; ON = HDSL2 line voltage is -180 Vdc.
HBER	1E-6 or 1E-7 = alarm activates when the HDSL2 BER alarm threshold exceeds 10^{-6} or 10^{-7} . NONE = prevents generation of a system alarm due to BER.
DBER	Enables (ENA) or disables (DIS) fixed 24-hour DSX-1 BER alarm threshold.
LBTO	Loopback timeout = NONE , 20, 60, 120 minutes.
ALM	Enables (ENA) or disables (DIS) alarm indications on pins 20 and 21.
DS1	DSX-1 line code = B8ZS , AMI.
CONV	H2TU-R frame format conversion = OFF (framing determined by the DS1 FRMG option), ACON (autodetection of framing and potential frame conversion at the H2TU-R), or FCON (autodetection of framing and forced frame format conversion at the H2TU-R).
FRMG	DS1 frame formatting = AUTO (auto framing mode) or UNFR (unframed mode).
ALMP	Enables system to output an alarm pattern: AIS or LOS.
BPVT	Enables (ENA) or disables (DIS) Bipolar Violation Transparency.
NLBP	Enables the H2TU-R to transmit either AIS or LOS towards CI for any network loopback.
TLOS	Enables (ENA) or disables (DIS) a logic loopback at the H2TU-R when an LOS occurs at its DS1 input.
RTPV	Enables (ENA) or disables (DIS) remote provisioning.
PRM	OFF = no enhanced Performance Report Messaging; SPRM = Supplemental PRM; NPRM = Network PRM; S + N = SPRM + NPRM.
NAIS	If ALMP is set to AIS, this option specifies which pattern is sent to the network when a remote LOS or AIS occurs. CI = AIS-CI sent to the network; AIS = AIS sent to the network.
ROVR	Enables (ENA) or disables (DIS) conversion of an ESF DS1 payload from the network with an embedded RAI pattern to an SF-RAI pattern towards the CI at the H2TU-R. CONV option must be set to FCON or ACON.
RACI	Enables (ENA) or disables (DIS) conversion of a DS1 SF-RAI signal received by the H2TU-R to an SF-RAI-CI signal towards the network.
PBON	Configures the power output levels of the H2TU-C network unit toward the customer to comply with Default (DEF) or Enhanced (ENH) templates.
PBOC	Configures the power output levels of the H2TU-C customer unit toward the network to comply with Default (DEF) or Enhanced (ENH) templates.

(a) Front-panel codes scroll in the order listed. The configured selections follow each code.

Front-Panel System Information Messages (Scroll Mode)^(a)

Code	Description	Code	Description
VER x.xx	Software version number of the H2TU-C-231.	CODE xxxx	Line code (AMI or B8ZS). Default is B8ZS.
LIST xx	List number of the H2TU-C-231.	LATT xx	Loop attenuation (0 to 40 dB). Default is 32.
FRM xxxx	Frame pattern received from the DSX-1 (AUTO, SF, ESF, UNFR).	MARG xx	Margin threshold (0 to 15 dB). Default is 5.

(a) To scroll through system information messages, press the MODE button for 3 or more seconds. Messages display in the order listed.

FCC Class A Compliance

This equipment has been tested and found to comply with the limits for a Class A digital device, pursuant to Part 15 of the FCC Rules. These limits are designed to provide reasonable protection against harmful interference when the equipment is operated in a commercial environment. This equipment generates, uses, and can radiate radio frequency energy and, if not installed and used in accordance with the instruction manual, may cause harmful interference to radio communications. Operation of this equipment in a residential area is likely to cause harmful interference in which case the user will be required to correct the interference at his own expense.

Limited Warranty

Product warranty is determined by your service agreement. Contact your sales representative or Customer Service for details.

Modifications

Any changes or modifications made to this device that are not expressly approved by ADC DSL Systems, Inc. voids the user's warranty.

All wiring external to the products should follow the provisions of the current edition of the National Electrical Code.

Standards Compliance

This equipment has been tested and verified to comply with the applicable sections of the following safety standards:

- GR 63-CORE - Network Equipment-Building System (NEBS) Requirements
- GR 1089-CORE - Electromagnetic Compatibility and Electrical Safety
- Binational standard, UL-1950/CSA-C22.2 No. 950-95: Safety of Information Technology Equipment

Trademark Information

ADC is a registered trademark of ADC Telecommunications, Inc. HiGain is a registered trademark of ADC DSL Systems, Inc. Other product names mentioned in this installation guide are used for identification purposes only and may be trademarks or registered trademarks of their respective companies.

Copyright Information

© 2001 ADC DSL Systems, Inc. All rights reserved. Information contained in this document is company private to ADC DSL Systems, Inc., and shall not be modified, used, copied, reproduced or disclosed in whole or in part without the written consent of ADC.

ADC DSL Systems, Inc.

14402 Franklin Avenue
Tustin, CA 92780-7013
Tel: 714.832.9922
Fax: 714.832.9924

Technical Assistance

800.638.0031
714.730.3222



Product Catalog: H2TU-C-231-L4E
CLEI: VACJDLHE
Document: LTPH-QI-1035-01, Issue 1



1196097
August 31, 2001