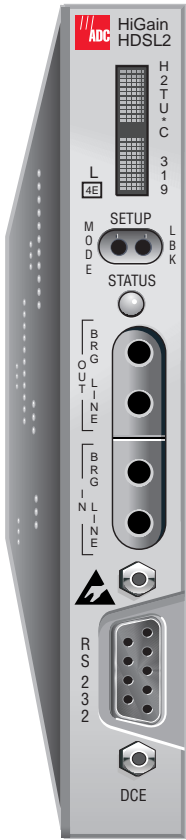


HiGain

USER MANUAL



H2TU-C-319 List 4E
Product Catalog: H2TU-C-L4E
CLEI Code: VACHYVYG



Revision History of This Manual

Issue	Release Date	Revisions Made
1	October 5, 2001	Initial release.
2	January 9, 2002	BERT update.

Copyright

January 9, 2002

© 2002 ADC DSL Systems, Inc. All rights reserved.

Trademark Information

ADC is a registered trademark of ADC Telecommunications, Inc. HiGain is a registered trademark of ADC DSL Systems, Inc. No right, license, or interest to such trademarks is granted hereunder, and you agree that no such right, license, or interest shall be asserted by you with respect to such trademark. Other product names mentioned in this practice are used for identification purposes only and may be trademarks or registered trademarks of their respective companies.

Disclaimer of Liability

Information contained in this document is company private to ADC DSL Systems, Inc., and shall not be modified, used, copied, reproduced or disclosed in whole or in part without the written consent of ADC.

Contents herein are current as of the date of publication. ADC reserves the right to change the contents without prior notice. In no event shall ADC be liable for any damages resulting from loss of data, loss of use, or loss of profits, and ADC further disclaims any and all liability for indirect, incidental, special, consequential or other similar damages. This disclaimer of liability applies to all products, publications and services during and after the warranty period.

USING THIS MANUAL

The following conventions are used in this manual:

- Monospace type indicates screen text.
- Keys you press are indicated by small icons such as **Y** or **ENTER**. Key combinations to be pressed simultaneously are indicated with a plus sign as follows: **CTRL** + **ESC**.
- Items you select are in **bold**.
- Three types of messages, identified by icons, appear in text.



Notes contain information about special circumstances.



Cautions indicate the possibility of personal injury or equipment damage.



The Electrostatic Discharge (ESD) symbol indicates that a device or assembly is susceptible to damage from electrostatic discharge.

For a list of abbreviations used in this document, refer to [“Appendix E - Abbreviations”](#) on page 76.

INSPECTING SHIPMENT

Upon receipt of the equipment:

- Unpack each container and inspect the contents for signs of damage. If the equipment has been damaged in transit, immediately report the extent of damage to the transportation company and to ADC DSL Systems, Inc. Order replacement equipment, if necessary.
- Check the packing list to ensure complete and accurate shipment of each listed item. If the shipment is short or irregular, contact ADC DSL Systems, Inc. as described in [“Returns”](#) on page 75. If you must store the equipment for a prolonged period, store the equipment in its original container.

TABLE OF CONTENTS

Overview	1
Features	1
Compatibility	2
Applications	2
Front Panel	3
Installation	8
Verification	9
Verification without an H2TU-R Remote Unit	9
Verification with an H2TU-R Remote Unit	9
Provisioning	10
Using the MODE and LBK Pushbuttons	10
Setting Options through MODE and LBK	10
Resetting to Factory Default Values.....	11
Displaying System Parameter Settings.....	11
Disabling an Alarm.....	11
Loopback Modes	11
Using a Maintenance Terminal	12
Connecting to a Maintenance Terminal.....	12
The Logon Screen.....	12
Provisioning Tasks.....	14
Setting Date and Time	14
Setting Circuit ID Numbers	15
Configuring the System	16
Clearing the History, Alarm, and Event Log Screens	33
Monitoring System Activity and Performance	34
Using the Monitor Screen to View System Activity.....	35
Using the Performance Screens to View Performance Data.....	37
Performance History at the DS1 Interface.....	38
Performance History at the HDSL2 Interface	40
Current Statistics Screens for the DS1 Interface	42
Current Statistics for HDSL2 Interface	43
Using the Performance Screens to View Alarm Data.....	44
Alarm History at the DS1 Interface	44
Alarm History at the HDSL2 Interface.....	46
Using the System Event Log to Track Events	48
Using the Report Menu	50

Testing	52
System Alarms.....	52
Alarm Option for the Digital Loop Carrier Feed	53
Retiring System Alarms	53
Remote LOS and AIS Response	54
OCT55 Test Pattern with AMI Line Code	54
Loopback Operation	55
Generic Loopback Commands	56
Special Loopback Commands.....	56
SmartJack Loopback Commands.....	57
Manual Loopback Session.....	57
Activating Manual Metallic Test Access	58
in-band Loopback Sessions	59
General Troubleshooting Tips	59
GNLB Test Procedures	59
A2LB Test Procedures	61
A3LB and A4LB Test Procedures	64
SmartJack Test Procedure.....	64
Appendix A - Specifications	65
Power Consumption	66
Maximum Power Dissipation	66
Maximum Current Drain	66
Loop Attenuation, Insertion Loss, and Reach	67
H2TU-C-319 List 4E Card-Edge Connector.....	68
Network Management Control Bus	69
Fuse Alarm.....	69
System Alarm Output Pin	70
Craft Port	71
Appendix B - Functional Operation	72
Timing	73
Ground Fault Detect	73
Appendix C - Compatibility	74
Appendix D - Product Support	75
Technical Support.....	75
Returns.....	75
Appendix E - Abbreviations	76
Certification and Warranty	Inside Back Cover

LIST OF FIGURES

1. H2TU-C-319 List 4E Front Panel	3
2. Installing the H2TU-C-319 List 4E into a Shelf	8
3. Logon Screen.....	13
4. Config Menu - Date and Time.....	14
5. Inventory Screen.....	15
6. Config Menu.....	16
7. Config Menu - Standard Options (defaults shown).....	17
8. Config Menu - ADC Options (defaults shown)	17
9. Metallic Test Access Block Diagram	28
10. MTA Relays	29
11. Metallic Test Access TB6 on HMS-358 Backplane.....	29
12. H2TU-C-319 List 4E Block Diagram	30
13. Config Menu - Reset to Factory Defaults.....	32
14. Config Menu - Master Clear.....	33
15. Monitor Screen - Active Loopback with Alarms	35
16. H2TU-R DS1 31-Day Performance History	38
17. H2TU-R DS1 25-Hour Performance History.....	38
18. H2TU-C DS1 48-Hour Performance History.....	39
19. H2TU-C HDSL2 31-Day Performance History	40
20. H2TU-C HDSL2 48-Hour Performance History	40
21. H2TU-C HDSL2 25-Hour Performance History	41
22. H2TU-R DS1 Current Statistics	42
23. H2TU-C DS1 Current Statistics	42
24. H2TU-C HDSL2 Current Statistics.....	43
25. H2TU-C DS1 Alarm History Screen.....	44
26. H2TU-R DS1 Alarm History Screen.....	45
27. H2TU-C HDSL2 Alarm History Screen	46
28. System Event Log.....	48
29. Report Menu - Full Report	50
30. H2TU-R LOS and AIS Response Priorities	54
31. Loopback Summary.....	55
32. Loopback Modes	60
33. H2TU-C-319 List 4E Card-Edge Connector.....	68
34. HMS-358 Backplane H2TU-C-319 List 4E Card Edge Connector Labeling	69
35. RS-232 Craft Port Pinouts	71
36. H2TU-C-319 List 4E Block Diagram	72

LIST OF TABLES

- 1. Front-Panel Description 4
- 2. Front-Panel Display Messages 5
- 3. Navigational Keys for the HiGain HDSL2 Maintenance Terminal Screens 12
- 4. Logon Screen Menus..... 13
- 5. H2TU-C-319 List 4E Standard Config Menu Options 18
- 6. H2TU-C-319 List 4E ADC Config Menu Options 19
- 7. DS1 and DSX-1 24-hour PM Threshold..... 22
- 8. Response to H2TU-R DS1 Frame Conversion Options..... 24
- 9. Extended SuperFrame Format..... 25
- 10. SuperFrame Format..... 25
- 11. DDS NI and DS0 DP Latching Loopback Sequence 26
- 12. HiGain HDSL2 Loopback vs. Latching Sequence 26
- 13. Response of H2TU-C-319 List 4E and H2TU-R to LOS and AIS 27
- 14. Monitor Screen Descriptions..... 36
- 15. Error Acronyms Used on the DS1 Performance History Screens..... 39
- 16. Error Acronyms Used on the HDSL2 Performance History Screens 41
- 17. DS1 Alarm Descriptions 45
- 18. HDSL2 Alarm Descriptions 47
- 19. Event Log Entry Messages List 49
- 20. Report Types 51
- 21. Front-Panel System Alarms Summary 52
- 22. Summary of HiGain HDSL2 Generic Loopback Codes and Activation Methods 56
- 23. Addressable Repeater Loopback Commands (A2LB)..... 61
- 24. Addressable Repeater Loopback Commands (A3LB and A4LB) 64
- 25. SmartJack Loopup and Loopdown Commands 64
- 26. H2TU-C-319 List 4E Power Parameters..... 66
- 27. HDSL2 Reach Chart 67

OVERVIEW

The H2TU-C-319 List 4E (H2TU-C) line unit is the Central Office (CO) side of a T1 transmission system. The HiGain HDSL2 product family is fully compliant with the HDSL2 standard ANSI T1.418. Providing full-rate T1 access using a single copper pair, HDSL2 is a cost-effective solution that offers an open architecture. The open architecture inherent in HDSL2 guarantees interoperability allowing simple and economic accommodation of network growth.

HiGain HDSL2 products provide 1.552 Mbps transmission on one unconditioned copper pair over the full Carrier Service Area (CSA) range. The CSA includes loops up to 12,000 feet of 24 AWG wire or 9,000 feet of 26 AWG wire, including bridged taps.

FEATURES

Features specific to the List 4E family of HDSL2 modules include:

- Report menu option for downloading status and performance monitoring data to a file
- Enhanced loopback commands controlled by the SmartJack Loopback (LPBK) option as follows:
 - 100 in-band loopdown command
 - 100000 (1-in-6) in-band loopup command
- Connection of the HDSL2 span to Loop 2 on pins K and 9 rather than on Loop 1, pins F and 6
- Sources sealing current when connected to an H2TU-R-402 List 5E or higher

Standard features include:

- HDSL2 transmission features
 - Lightning and power cross-protection on HDSL2 interfaces
 - Full-duplex HDSL2 transmission on one pair at 1.552 Mbps
 - Ultra-low wander (Stratum 1 compliant)
 - Grounded loop detection on High-bit-rate Digital Subscriber Line 2 (HDSL2)
- Front-panel provisioning features
 - Four character status display
 - DS1 splitting and bridge access
 - Status Light Emitting Diodes (LEDs)
 - RS-232 craft port for connection to a maintenance terminal
 - MODE and LBK pushbuttons
- Maintenance screens for inventory, provisioning, and troubleshooting
 - DS1 and HDSL2 performance monitoring
 - Non-volatile performance monitoring
 - Performance Report Messaging (PRM) support for Supplemental PRM (SPRM) and Network PRM (NPRM) at the H2TU-R
 - Payload (PL) and HiGain (HG) loopback source identification
 - Margin Alarm (MAL) threshold

- Configuration options
 - Selectable DS1 pre-equalizer
 - Bipolar Violation Transparency (BPVT) options
 - Bit Error Rate (BER) alarm
 - Power Back Off Network (PBON) and Power Back Off Customer (PBOC) options for configuring output levels
 - Loss of Signal/Alarm Indication Signal (LOS/AIS) payload alarm option
 - Remote provisioning
- Compatible with HMS-358 Soneplex® Wideband 3190 shelves only
- Digital Data Service (DDS) latching loopback
- Network Management and Administration (NMA) interface
- Metallic Test Access (MTA)
- Dual DSX-1 port option



DS1 is used throughout this document to refer to either the remote unit's DS1 interface or the line unit's DSX-1 interface.

COMPATIBILITY

The H2TU-C has two unique features, Metallic Test Access and Dual DS1 port options, which are not provided in standard ADC line units with 3192 mechanics. These features require additional access pins which are provided by a special card-edge connector, shown in [Figure 33 on page 68](#). Only the HMS-358 set of shelves can accommodate this special connector.

APPLICATIONS

HiGain HDSL2 systems provide a cost-effective, easy-to-deploy method for delivering T1 High Capacity Digital Service (HCDS) over a single copper pair. HiGain HDSL2 systems support a multitude of network connections and system models.

- The service is deployed over one unconditioned, non-loaded copper pair.
- Conventional, inline DS1 repeaters are no longer required.
- Cable pair conditioning, pair separation and bridged tap removal are not required.

Each loop has no more than 35 dB of loss at 196 kHz, with driving and terminating impedances of 135Ω. In general, HiGain HDSL2 systems:

- Operate effectively in the same cable binder group with other HDSL2 lines, HDSL, T1, ADSL, SDSL, POTS, DDS, and other transmission schemes.
- Can be used with customers requiring DS1 service on a temporary or permanent basis.
- Provide a means of quickly deploying service in advance of fiber-optic transmission systems.

FRONT PANEL

Figure 1 shows the H2TU-C-319 List 4E front panel. Table 1 on page 4 describes the front-panel components. For pinout diagrams of the H2TU-C-319 List 4E card-edge connector and craft port, refer to “Appendix A - Specifications” on page 65.

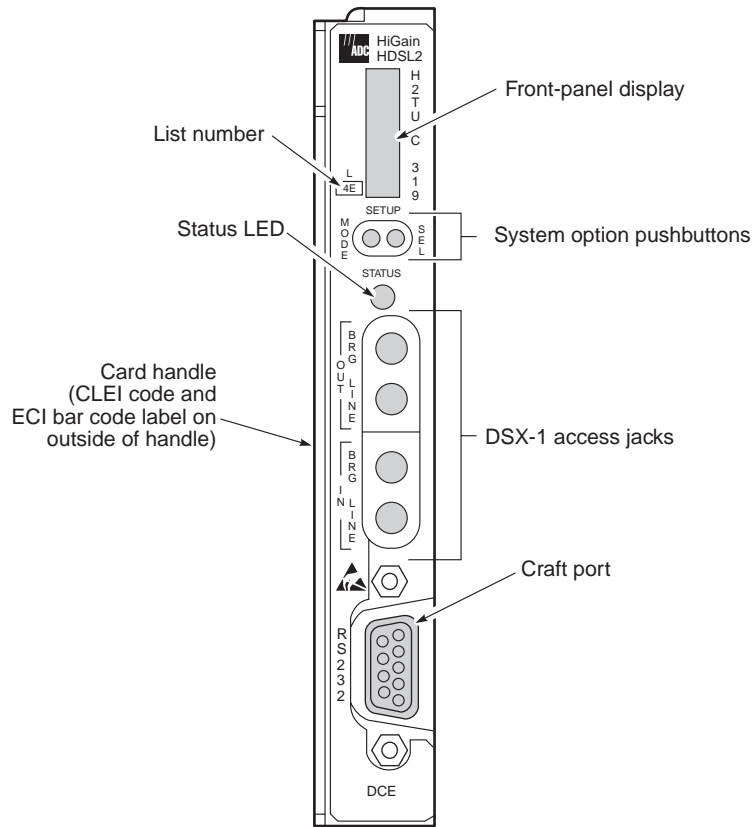


Figure 1. H2TU-C-319 List 4E Front Panel

Table 1. *Front-Panel Description*

Front-Panel Feature	Function
Front-panel display	Displays four-character status, provisioning, and alarm system messages. The front-panel display illuminates when power is initially applied. To conserve power the display only remains on for 5 minutes. Using the MODE or LBK pushbuttons reactivates the display and restarts the 5-minute timer. Refer to Table 2 on page 5 for a listing of the four-character messages.
MODE and LBK system option pushbuttons	Permits user options to be monitored and modified without the need of a maintenance terminal. Used to initiate all HiGain loopbacks and test states as well as to display DSX-1 line parameters and line unit identity.
Status LED	The status LED can report the following conditions:
Off	Line power is off.
Green	Normal operation.
Flashing green	HDSL2 acquisition.
Red	Fuse alarm.
Flashing red	System alarm.
Yellow	An H2TU-C Customer Remote Loopback (CREM) or a Network Local Loopback (NLOC) is in effect.
Flashing yellow	H2TU-C is in an Armed state.
DSX-1 access jacks	
BRG	Provides non-intrusive bridging jack access to (IN) and from (OUT) the HDSL2 span at the MUX DSX-1 interface. Allows the two DS1 payloads to be monitored.
LINE	Provides splitting jack access to (IN) and from (OUT) the HDSL2 span at the MUX DSX-1 interface. Breaks the IN and OUT paths to permit test signal insertion and retrieval.
Craft port (RS-232)	Provides bidirectional communication between the unit and an external terminal to allow configuration and performance monitoring through the maintenance terminal screens.
CLEI and ECI bar code label	Provides the human-readable Common Language Equipment Identifier (CLEI) code number and the Equipment Catalog Item (ECI) bar code number.
List number	Identifies the list number of the H2TU-C.

Table 2 lists the front-panel display messages. The four-character display reports the code of an alarm, loopback, or diagnostic message and, in some cases, is followed by a second four-character message that modifies the first message with a value or current configuration setting.

Table 2. *Front-Panel Display Messages*

Message	Full Name	Description
ALARM MESSAGES		
ACO	Alarm Cut Off	A system alarm has occurred, and has been retired to an ACO condition by pressing the LBK pushbutton on the H2TU-C front panel.
ALRM	Alarm Condition Exists	A system alarm condition is in effect.
DBER	DS1 Bit Error Rate	A system DS1 BER alarm is in effect and remains in effect until cleared.
HBER	HDSL2 Block Error Rate	A system HDSL2 Block Error Rate alarm is in effect.
LA	Loop Attenuation	Indicates that the attenuation on the HDSL2 loop has exceeded the maximum threshold value.
LAIS	Local Alarm Indication Signal	Indicates an AIS (all ones) pattern is being received or transmitted at the H2TU-C DS1 input or output ports.
LLOS	Local Loss of Signal	Indicates that no signal is detected at the DSX-1 input to the H2TU-C. Causes a system alarm.
LOSW	Loss of Sync Word	Indicates that the HDSL2 loop has lost synchronization.
MAL	Margin Alarm	The margin on HDSL2 loop has dropped below the threshold (0 to 15 dB) as set by the operator.
MTA	Metallic Test Access	Indicates the H2TU-C is in a metallic test access state.
PWR FEED GND	Power Feed Ground	The HDSL2 loop is grounded.
PWR FEED OPEN	Power Feed Open	Indicates a line power open condition.
PWR FEED SHRT	Power Feed Short	Indicates a short between the Tip and Ring of the HDSL2 pair.
PRMF	Performance Report Messaging - Far End	H2TU-R PRM-FE BER threshold has been exceeded.
PRMN	Performance Report Messaging - Near End	H2TU-R PRM-NE BER threshold has been exceeded.
RAIS	Remote Alarm Indication Signal	Indicates an AIS (all ones) pattern is being received or transmitted at the H2TU-R DS1 input or output ports.
RLOS	Remote Loss of Signal	Indicates that no signal is detected at the DS1 input to the H2TU-R. Causes a system alarm.
RRAI	Remote RAI—Remote Alarm Indication at the H2TU-R (Net signal has errors.)	Indicates an RAI alarm (yellow LED) from the CPE with errors from the line unit or network.
SPN 1	Span Number	Accompanies the LOSW alarm and identifies the span where the LOSW alarm occurred.
TRCI	Transmit RAI-CI—TX RAI-CI Indication - Customer Installation at the H2TU-R (Net signal does not have errors.)	Upon reception of an RAI (yellow LED) from the CPE, the H2TU-R sends RAI-CI toward the network if the network signal received at the H2TU-R is clear. If the network signal is impaired (LOS, AIS, or Loss of Frame [LOF]), then the RAI is automatically passed on to the network.
TUC	Transmission Unit Central Office	Accompanies the HBER, MAL, and LA alarm and indicates that the alarm has occurred at the H2TU-R remote unit.
TUR	Transmission Unit Remote End	Accompanies the HBER, MAL, and LA alarm and indicates that the alarm has occurred at the H2TU-R remote unit.

Continued

Table 2. Front-Panel Display Messages (Continued)

Message	Full Name	Description
LOOPBACK MESSAGES		
CLOC	Customer Local Loopback	Signal from customer is looped back to the customer at the H2TU-R.
CREM	Customer Remote Loopback	Signal from customer is looped back to the customer at H2TU-C.
NLOC	Network Local Loopback	DSX-1 signal is looped back to the network at the H2TU-C.
NREM	Network Remote Loopback	DSX-1 signal is looped back to the network at the H2TU-R.
SMJK	Remote SmartJack Loopback	DSX-1 signal is looped back to the network at the H2TU-R SmartJack module.
DIAGNOSTIC MESSAGES		
A = xx	Maximum Loop Attenuation	The Attenuation (A) message appears followed by xx, where xx is the loop attenuation of the longest (maximum loss) span, measured in dB.
ACQ	Acquisition	The multiplexers of the H2TU-C and H2TU-R (or the H2TU-C and first regenerator) are trying to establish synchronization over the HDSL2 loop of Span 1.
ARM	HiGain System Armed	Armed to respond to Intelligent Repeater Loop (ILR) codes.
BAD RT?	No Response from H2TU-R	The H2TU-C receives no response from the H2TU-R and all HDSL2 loop conditions are normal. Therefore, the integrity of the H2TU-R or the HDSL2 loop is questionable.
FERR	Framing Bit Error Occurred	Framing bit error occurred at H2TU-C DSX-1 input.
FLDL	Flash Download	Flash download of firmware upgrades. Contact Customer Service for upgrade procedures (see “Appendix D - Product Support” on page 75).
HES	HDSL2 CRC Error	H2TU-C HDSL2 Loop Cyclical Redundancy Check (CRC) error.
LBPV	Local Bipolar Violation	A bipolar violation has been received at the DSX-1 input to the H2TU-C.
M=xx	HDSL2 Loop Margin	Indicates the power of the received HDSL2 signal relative to noise (S/N with respect to 21.5 dB). Any value of 6 dB or greater is adequate for reliable system operation.
MNGD	Managed	The H2TU-C is under control of the H2TU-319 Network management unit. In this state, the front-panel craft port and pushbuttons are disabled.
PWR FEED OFF	Power Feed Off	HDSL2 span power has been turned off by setting the PWFD option to off, or HDSL2 span power has been turned off by use of the A2LB Intelligent Office Repeater (IOR) Power Down code.
PWR FEED ON	Power Feed On	Indicates that the HDSL2 loop is not grounded or shorted.
SIG	Signaling	The transceivers of the H2TU-C and H2TU-R (or the H2TU-C and first regenerator) are trying to establish contact with each other over the HDSL2 loop of Span 1.

Continued

Table 2. Front-Panel Display Messages (Continued)

Message	Full Name	Description
SYSTEM INFORMATION MESSAGES ^(a)		
CODE xxxx	Line Code: AMI or B8ZS	The DS1 line code setting: Alternate Mark Inversion (AMI) or Bipolar with 8-Zero Substitution (B8ZS).
FRM xxxx	Frame: SF, ESF, or UNFR	Defines the type of frame pattern being received from the DSX-1: SuperFrame (SF), Extended SuperFrame (ESF), or Unframed (UNFR).
LATT xx	Loop Attenuation	The current loop attenuation threshold setting measured in decibels.
LIST xx	H2TU-C List Number	The list number of the H2TU-C.
MARG xx	Margin	The current margin threshold setting measured in decibels.
VER x.xx	H2TU-C Software Version Number	The software version number (x.xx).
(a) System information messages are displayed in Scroll Mode. To scroll through the messages, press the MODE pushbutton for 3 or more seconds.		

INSTALLATION



Upon receipt of the equipment, inspect the contents for signs of damage. If the equipment has been damaged in transit, immediately report the extent of damage to the transportation company and to ADC.

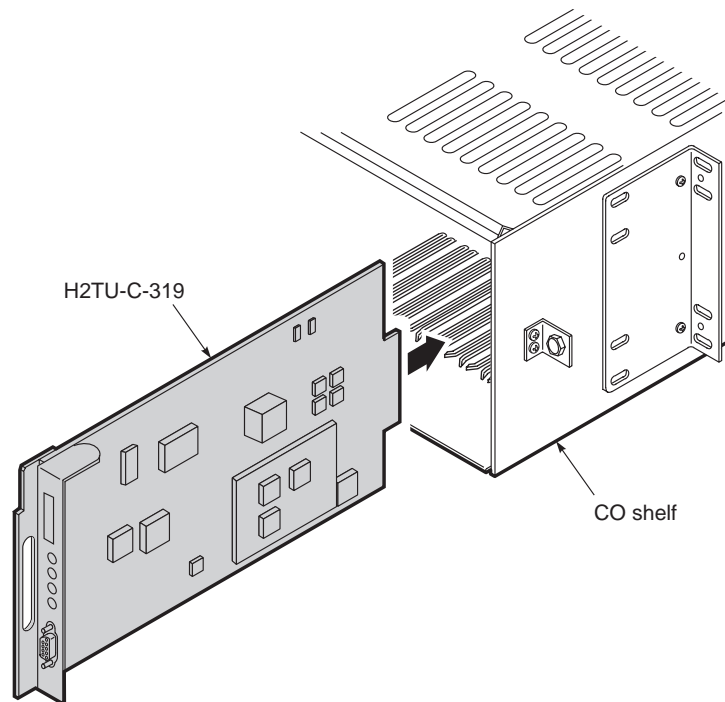


Figure 2. Installing the H2TU-C-319 List 4E into a Shelf



When installing an H2TU-C in a chassis, be sure to wear an antistatic wrist strap. Avoid touching components on the circuit board.



To comply with the intrabuilding wiring requirements of GR-1089 CORE, Section 4.5.9, the shields of the ABAM-type cables that connect the H2TU-C DSX-1 output ports to the cross-connect panel must be grounded at both ends.

- 1 Align the H2TU-C with the enclosure slot guides, then push the unit in until it touches the backplane card-edge connector.
- 2 Place your thumbs on the H2TU-C front panel and push the H2TU-C firmly into the slot guides until the unit clicks into the backplane and is properly seated.

VERIFICATION

Once the H2TU-C is installed, verify that it is operating properly. To do this, monitor the following:

- Status LED
- Status messages reported by the front-panel display ([Table 2 on page 5](#) lists the status messages).

Verification without an H2TU-R Remote Unit

If there is no H2TU-R remote unit installed:

- 1 Verify that the H2TU-C powers up. The front-panel display illuminates and reports status messages. (See [Table 2 on page 5](#) lists the messages.)
- 2 Verify that the H2TU-C attempts to communicate with a remote unit (status LED flashes red). Even if a remote unit is not present, the following events should occur:
 - a The front-panel display reports various four-character status messages.
 - b The H2TU-C again attempts communication with a remote unit until a remote unit is detected.

Verification with an H2TU-R Remote Unit

If an H2TU-R remote unit has been installed:

- 1 Verify that the H2TU-C powers up. (The front-panel display illuminates and reports various status messages.)
- 2 Verify that the H2TU-C attempts to communicate with the remote unit (status LED flashes red). One of the following occurs:
 - If the remote unit is successfully identified and the HDSL2 loop synchronizes, the H2TU-C status LED lights a steady green. The H2TU-C reports normal margin messages on the front-panel display.
 - If the remote unit is not identified, the H2TU-C reports four-character status messages. The H2TU-C attempts communication again and reports four-character status messages. The H2TU-C repeats this cycle until a remote unit is detected.
- 3 Verify that a valid DS1 signal has been applied to the H2TU-C and the H2TU-R.
 - If no DS1 signal is being applied to either the H2TU-C or the H2TU-R inputs, then the appropriate DS1 alarms (LLOS or RLOS) display on the front panel and the status LED flashes red.
 - If a valid DS1 signal is being supplied to the H2TU-C and H2TU-R, then DS1 alarm indications should be absent and the status LED should be a steady green.

PROVISIONING

There are two provisioning methods:

- Use the MODE and LBK pushbuttons on the front panel of the H2TU-C to:
 - Set system options
 - Reset the H2TU-C to its factory default settings for system options
 - Display system option settings (scroll mode)
 - Select system loopbacks
 - Select MTA test mode
- Use a maintenance terminal, such as an ASCII terminal or a PC running terminal emulation software, connected to the H2TU-C craft port or an HMU craft port to access the maintenance screens. [Figure 3 on page 13](#) shows the maintenance screen. This provides full access to all H2TU-C status, history, inventory, and provisioning screens.



No dip switches or jumpers are required to provision the H2TU-C as it contains a non-volatile RAM (NVRAM) which stores the system option settings. System option settings are retained if shelf power is lost or if the H2TU-C is unplugged.

USING THE MODE AND LBK PUSHBUTTONS

Setting Options through MODE and LBK

To provision the H2TU-C through the MODE and LBK pushbuttons on the front panel:

- 1 Press the MODE pushbutton for 1 second and then release it. The front panel display alternately shows the first system parameter and its current setting.
- 2 Press the LBK pushbutton to step through all possible settings of the selected parameter.
- 3 After the desired setting has been selected, press the MODE pushbutton. This updates the current displayed parameter to the selected setting, then advances to the next configurable parameter. After the last parameter has been selected, a CONF NO message appears on the front-panel display.
- 4 Do one of the following:
 - To cancel the session without saving the requested parameter changes, press the MODE pushbutton or do nothing. After 30 seconds, the display returns to its normal mode without saving the new changes.
 - To accept the requested parameter changes, press the LBK pushbutton. A CONF YES message displays, and the display returns to its normal mode after saving the new changes.

Resetting to Factory Default Values

All user options for the H2TU-C, described in [Table 5 on page 18](#), can be set to the factory default values using the MODE and LBK pushbuttons. To set the user options to their default values:

- 1 Press the LBK pushbutton for 6 seconds until the following message appears:

DFLT NO

- 2 Press the LBK pushbutton until the DFLT NO message is displayed.

The message changes to DFLT YES indicating the factory default values are now in effect and the display returns to the normal mode.

To terminate the DFLT mode without setting the factory default values, do one of the following:

- Press the MODE pushbutton to return to the normal display mode.
- Wait 30 seconds for the unit to return to the normal display mode.

Displaying System Parameter Settings

To scroll through the current settings of all system parameters, press the MODE pushbutton for 3 or more seconds. The H2TU-C displays the following parameters:

- H2TU-C software version number
- H2TU-C list number
- Type of frame pattern received from the DSX-1
- Line code of the signal received from the DSX-1
- All user-configured parameter settings
- Loop attenuation threshold setting
- Margin alarm threshold setting

Disabling an Alarm

System alarms can be disabled by pressing the LBK pushbutton on the H2TU-C front panel. This executes an ACO and returns the H2TU-C to its non-alarm state. For more information, see [“Retiring System Alarms” on page 53](#).

Loopback Modes

See [“Loopback Operation” on page 55](#) for instructions on using the MODE and LBK pushbuttons to activate loopbacks.

USING A MAINTENANCE TERMINAL

Connecting to a Maintenance Terminal

The craft port on the front panel allows you to connect the H2TU-C to a maintenance terminal (ASCII terminal or PC running a terminal emulation program). Once connected to a maintenance terminal, you can access the maintenance, provisioning, and performance screens.

To connect to a maintenance terminal:

- 1 Connect a standard 9-pin terminal cable to the RS-232 craft port, as shown in [Figure 1 on page 3](#), on the front panel.
- 2 Connect the other end of the cable to the serial port on the maintenance terminal.
- 3 Start a terminal emulation program such as Procomm that emulates a VT100 terminal.
- 4 Configure the maintenance terminal to the following communication settings:
 - 9600 baud
 - No parity
 - 8 data bits
 - 1 stop bit
 - Hardware flow control to OFF
- 5 If necessary, press **CTRL** + **R** to refresh the HiGain HDSL2 logon screen.

The Logon Screen

The HiGain HDSL2 maintenance terminal screens allow you to monitor, provision, and troubleshoot an H2TU-C system.

To select a menu from the HiGain HDSL2 logon screen, shown in [Figure 3 on page 13](#), do one of the following:

- Press the underlined letter of the menu.
- Use the **←** **→** arrow keys to select the menu and press **ENTER**.

[Table 3](#) summarizes the navigational keys. They are also listed in the onscreen Help menu. [Table 4 on page 13](#) describes the Logon screen menus.

Table 3. *Navigational Keys for the HiGain HDSL2 Maintenance Terminal Screens*

Key ^(a)	Function
SPACEBAR	Cycle through selections.
ENTER	Activate the current setting or choice, or display a menu.
ESC	Return to the parent menu.
↑ or CTRL + E	Select the submenu or item above the current one, or return to the previous menu.
↓ or CTRL + X	Select the submenu or item below the current one.
→ or CTRL + D	Select the menu or item to the right of the current one.
← or CTRL + S	Select the menu or item to the left of the current one, or return to the previous menu.
CTRL + R	Refresh the screen.

(a) Legacy management units require the use of control keys instead of arrow keys.



Most VT100 emulation programs support a print screen option. For Windows-based programs, such as Procomm or HyperTerminal, see the Help menu for instructions.

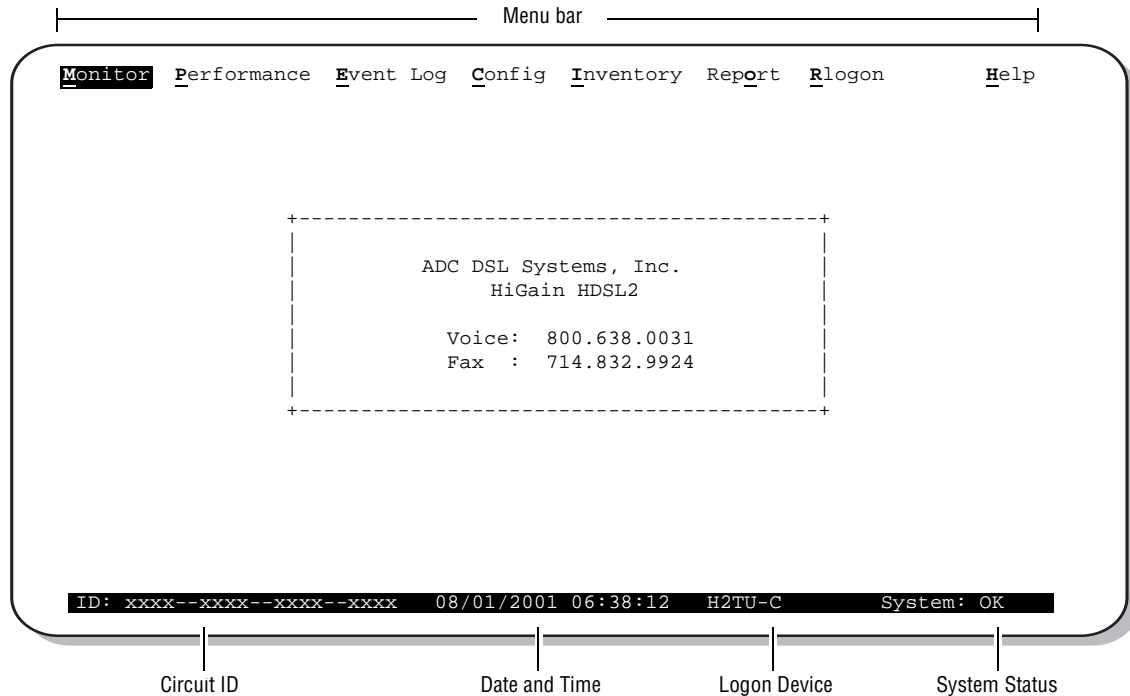


Figure 3. Logon Screen

Table 4. Logon Screen Menus

Press this key:	To access this menu:	Menu Functions
M	Monitor	Monitors loopbacks and alarms, and provides a graphical representation of circuit activity, including ES, UAS, SES, and line code.
P	Performance	Provides performance and alarm histories for current, 24-hour, 48-hour, or 31-day periods for either the DS1 or HDSL2 interface.
E	Event Log	Identifies the 100 most recent system events and reports the date and time of occurrence.
C	Config	Provides standard configuration options, ADC options, date and time setting, and a reset option (factory settings). Also provides a master clear option that clears all performance, alarm, and event log entries.
I	Inventory	Provides product information about the various devices that are in the system and lists circuit and device identifications.
O	Report	Provides four types of reports: Full Report, Short Report, System Information Report, and Event Report.
R	Rlogon/Rlogout	Remote logon can be performed from the H2TU-C or H2TU-R. The screen displays "Rlogout" when the H2TU-C or H2TU-R is remotely logged on to the other unit at the end of the circuit. To logoff the remote unit, press R . "Rlogout" changes to "Rlogon". The unit is now locally logged on until R is pressed again to reinitiate the remote logon.
H	Help	Provides a glossary of terms used in the maintenance screens, a list of navigational keys, and ADC contact information.

PROVISIONING TASKS

After the H2TU-C is successfully installed, perform these basic provisioning tasks:

- Set date and time (see “Setting Date and Time” on this page).
- Set circuit ID numbers (see “Setting Circuit ID Numbers” on page 15).
- Make any configuration changes (see “Configuring the System” on page 16).
- Clear history, alarm, and event log screens to remove miscellaneous data during startup (see “Clearing the History, Alarm, and Event Log Screens” on page 33).

Setting Date and Time

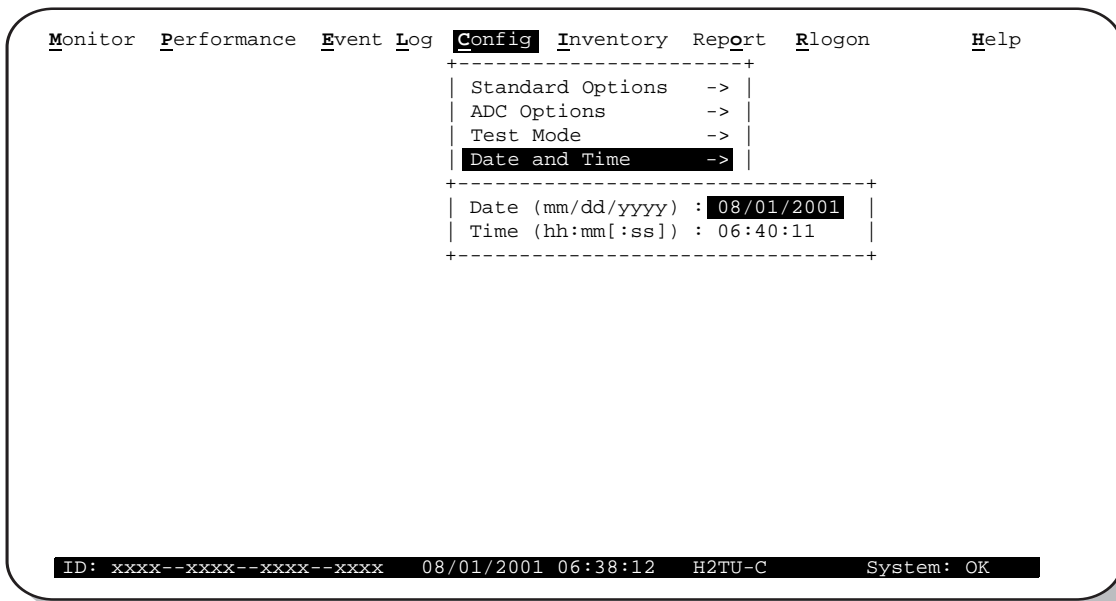


Figure 4. Config Menu - Date and Time

- 1 Press **C** to select the Config menu.
- 2 Use the **↑** and **↓** arrow keys to select **D**ate and **T**ime, then press **ENTER**.
- 3 Type the date in the format indicated, then press **ENTER**.
- 4 Type the time in the format indicated (entering seconds is optional), then press **ENTER**.

Setting Circuit ID Numbers

The Inventory menu provides product information on all units in the system and allows setting of the circuit and unit identification numbers.

```

Monitor Performance Event Log Config Inventory Report Rlogon Help
----- Product Information -----
Unit      : H2TU-C          H2TU-R
Product   : H2TU-C-319     H2TU-R-402
List      : 4E             6E
Sw Ver.   : 3.00           3.00
Build #   : 10             25
Checksum  : 0x604A         0x9616
H2 Xcvr   : L1-HB2 1.31    L1-RA2 1.31
Serial #  : 01232456789    0123456789
CLEI     : VACHYVYGAA      XXXXXXXXXX
Mfg. Date: 6-1-2001       6-1-2001

----- Circuit and Unit Identifications -----
Circuit ID : xxxx--xxxx--xxxx--xxxx
H2TU-R ID  : xxxx--xxxx--xxxx--xxxx
Circuit Notes:

ID: xxxx--xxxx--xxxx--xxxx 08/01/2001 06:42:07 H2TU-C System: OK

```

Figure 5. Inventory Screen

- 1 Press **I** to select the Inventory menu.
- 2 Type the Circuit ID number, then press **ENTER**.
- 3 Type the ID numbers of all other devices listed in the system, pressing **ENTER** after each entry.

Configuring the System

The Config menu (see [Figure 6](#) below) allows you to make the following changes:

- Standard options (see “Making Changes to Standard and ADC Options” on page 16).
- ADC options (see “Making Changes to Standard and ADC Options” on page 16).
- Date and time (see “Setting Date and Time” on page 14).
- Master clear (see “Clearing the History, Alarm, and Event Log Screens” on page 33).
- Reset to factory default configuration (see “Resetting to Factory Defaults” on page 32).

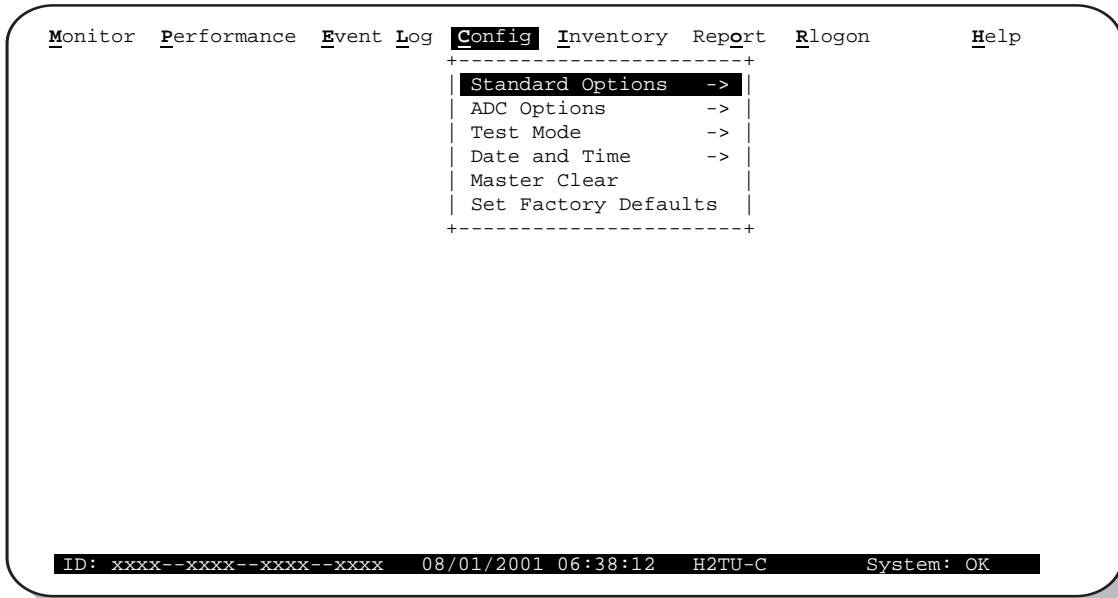


Figure 6. Config Menu

Making Changes to Standard and ADC Options

[Figure 7](#) and [Figure 8](#) on page 17 show the Standard and ADC configuration options. Standard options are those supported by HiGain HDSSL2 units when connected to units from other vendors. ADC options are an extended set of options that are only available when using HiGain units exclusively. For a description of each option and a list of possible option settings, refer to [Table 5](#) on page 18 and [Table 6](#) on page 19. To make changes to these options:

- 1 Press **C** to select the Config menu.
- 2 Use the **↑** and **↓** arrow keys to select **Standard Options** or **ADC Options**, then press **ENTER**.
- 3 Use the arrow keys to select an option.
- 4 Press the **SPACEBAR** to cycle through the available settings for that option.
- 5 Press **ENTER** to activate your choice.


```

Monitor  Performance  Event Log  Config  Inventory  Report  Rlogon  Help
+-----+
| Standard Options  -> |
+-----+
| Loopback Timeout (LBTO)                : 120 min
| Loop Attenuation Threshold (LATT) [0-40]: 32 dB
| Margin Threshold (MARG)                 [0-15]: 5 dB
| DS1 Frame Formatting (FRMG)             : AUTO
| DS1 Line coding (DS1)                  : B8ZS
| H2TU-C Equalization (EQL)               : 0 ft
| H2TU-R Line Buildout (RLBO)             : -7.5 dB
| Alarm Pattern (ALMP)                   : AIS
| H2TU-R TLOS Loopback (TLOS)            : DIS
| Power Back Off Network (PBON)          : DEF
| Power Back Off Customer (PBOC)         : DEF
+-----+

Use <Spacebar> to cycle through option settings and <Enter> to activate
ID: xxxx--xxxx--xxxx--xxxx 08/01/2001 06:43:31 H2TU-C System: OK

```

Figure 7. Config Menu - Standard Options (defaults shown)

```

Monitor  Performance  Event Log  Config  Inventory  Report  Rlogon  Help
+-----+
| Standard Options  -> |
| ADC Options      -> |
+-----+
| Line Power Feed (PWRF)                  : ON
| Remote Provisioning (RTPV)              : ENA
| Bipolar Violation Transparency (BPVT)   : DIS
| DS1 BER (DBER)                          : DIS
| HDSL2 BER Threshold (HBER)              : 1E-6
| Special Loopback Mode (SPLB)            : GNLB
| Smartjack Loopback (LPBK)               : ENA
| Minor Alarm (ALM)                       : DIS
| Network AIS Pattern (NAIS)              : CI
| Performance Report Messaging (PRM)      : S+N
| SF-RAI to SF-RAI-CI toward NET (RACI)  : ENA
| ESF-RAI to SF-RAI Overwrite (ROVR)     : ENA
| H2TU-R DS1 Frame Conversion (CONV)     : ACON
| Fractional T1 Mode (FT1)                : DIS
| Active DS1 Port (ADS1)                  : MUX
+-----+

Use <Spacebar> to cycle through option settings and <Enter> to activate
ID: xxxx--xxxx--xxxx--xxxx 08/01/2001 06:43:31 H2TU-C System: OK

```

Figure 8. Config Menu - ADC Options (defaults shown)

Table 5 describes the Standard Config screen options and lists their front-panel display codes. Table 6 on page 19 describes the ADC Config screen options and lists their front-panel display codes. Selections in bold typeface are the factory default settings.

Table 5. H2TU-C-319 List 4E Standard Config Menu Options

Standard Config Menu Options	Front-Panel Display Code	Selection	Description
Loopback Timeout	LBTO	NONE	Disables automatic time-out cancellation of all loopbacks.
		20	Sets automatic cancellation of all loopbacks to 20 minutes after initiation.
		60	Sets automatic cancellation of all loopbacks to 60 minutes after initiation.
		120	Sets automatic cancellation of all loopbacks to 120 minutes after initiation.
Loop Attenuation Threshold	LATT	0 through 40 dB	Determines the maximum loop attenuation before an alarm is declared. Zero disables the alarm. The loop attenuation threshold can only be set through the maintenance screens.
		32 dB	Default value. Zero disables the alarm.
Margin Threshold	MARG	0 to 15 dB	Determines the minimum allowable margin below which a system alarm can occur. Zero disables the alarm. The Margin Alarm Threshold can only be set through the maintenance screens.
		5 dB	Default value.
DS1 Frame Formatting	FRMG	AUTO	Configures the line unit to operate in an auto-framing (AUTO) mode. It detects and locks to both SF or ESF DS1 frame patterns. Line and path performance parameters are maintained and displayed. Unframed payloads will cause the ES-P and SES-P counters to increment.
		UNFR	Configures the same as AUTO except unframed payloads do not cause the ES-P and SES-P counters to increment.
DS1 Line Coding	DS1	B8ZS	Places both the H2TU-C and H2TU-R into their B8ZS modes.
		AMI	Places both the H2TU-C and H2TU-R into their AMI modes.
H2TU-C Equalization See "H2TU-C Equalization (EQL) Option." on page 22.	EQL	0 ft	Sets the Equalizer to DSX-1 for 0 to 132 feet.
		133 ft	Sets the Equalizer to DSX-1 for 133 to 265 feet.
		266 ft	Sets the Equalizer to DSX-1 for 266 to 398 feet.
		399 ft	Sets the Equalizer to DSX-1 for 399 to 532 feet.
		533 ft	Sets the Equalizer to DSX-1 for 533 to 655 feet.
H2TU-R Line Buildout	RLBO	0 dB	Sets the DS1 RLBO level toward the Customer Interface (CI).
		-7.5 dB	Sets the DS1 RLBO level toward the CI to -7.5 dB.
		-15 dB	Sets the DS1 RLBO level toward the CI to -15 dB.
Alarm Pattern See "Alarm Pattern (ALMP) Option." on page 22.	ALMP	AIS	Enables the HiGain HDSL2 system to output an AIS payload at its DS1 ports for LOSW and LOS DS1. For priority resolution, see Figure 30 on page 54 for LOS/AIS response priorities.
		LOS	Enables the HiGain HDSL2 system to output an LOS condition at its DS1 ports for LOSW and LOS DS1.
H2TU-R TLOS Loopback	TLOS	ENA	Enables a logic loopback at the H2TU-R when an LOS occurs at its DS1 input, if enabled at the H2TU-R. For priority resolution, see Figure 30 on page 54.
		DIS	Disables TLOS logic loopback.
Power Back Off Network	PBON	DEF	Configures the power output levels of the H2TU-C network unit towards the customer to comply with the Default template as defined in Section 6.1.4.2 of ANSIT1.E1.4.
		ENH	Configures the power output levels of the H2TU-C network unit towards the customer to comply with the Enhanced template as defined in Section 6.1.4.2 of ANSIT1.E1.4.

Continued

Table 5. H2TU-C-319 List 4E Standard Config Menu Options (Continued)

Standard Config Menu Options	Front-Panel Display Code	Selection	Description
Power Back Off Customer	PBOC	DEF	Configures the power output levels of the H2TU-R network unit towards the network to comply with the Default template as defined in Section 6.1.4.2 of ANSIT1.E1.4.
		ENH	Configures the power output levels of the H2TU-R network unit towards the network to comply with the Enhanced template as defined in Section 6.1.4.2 of ANSIT1.E1.4.

Table 6. H2TU-C-319 List 4E ADC Config Menu Options

ADC Config Menu Options	Front-Panel Display Code	Selection	Description
Line Power Feed	PWRF	OFF	Disables powering to the HDSL2 pair.
		ON	Keeps the HDSL2 line voltage at nominal -185 Vdc.
Remote Provisioning	RTPV	ENA	Enables remote provisioning.
		DIS	Disables remote provisioning.
Bipolar Violation Transparency See “Bipolar Violation Transparency (BPVT) Option” on page 22.	BPVT	ENA	Enables BPVs and HDSL2 CRC errors at the DS1 input to be converted into DS1 BPVs at the DS1 output at the distant end. This makes HiGain HDSL2 transparent to BPVs.
		DIS	Disables BPV Transparency.
DS1 BER Threshold See “DS1 BER (DBER) Option” on page 22.	DBER	ENA	Enables the fixed 24-hour DS1 BER threshold.
		DIS	Prevents the generation of a system alarm due to DS1 BER.
HDSL2 BER Threshold See “HDSL2 BER Threshold (HBER) Option” on page 22 and “System Alarm Output Pin” on page 70.	HBER	1E-6	System alarm relay contact closes and the Status LED flashes red when the Block Error Rate (BER) exceeds 10^{-6} .
		1E-7	System alarm relay contact closes and the Status LED flashes red when BER exceeds 10^{-7} .
		NONE	Prevents generation of a system alarm due to BER.
Special Loopback Mode	SPLB	GNLB	Configures the HiGain HDSL2 system to respond to the generic in-band loopback codes.
		A2LB	Configures the HiGain HDSL2 system to respond to the in-band loopback codes of the Teltrend addressable repeater.
		A3LB	Configures the HiGain HDSL2 system to respond to the in-band loopback codes of the Wescom addressable repeater.
		A4LB	Configures the HiGain HDSL2 system to respond to the in-band loopback codes of the Wescom Mod 1 addressable repeater.
SmartJack Loopback	LPBK	ENA	Enables the HiGain HDSL2 system to recognize all in-band SmartJack loopback commands.
		DIS	Configures the HiGain HDSL2 system to ignore all in-band SmartJack loopback commands.

Continued

Table 6. H2TU-C-319 List 4E ADC Config Menu Options (Continued)

ADC Config Menu Options	Front-Panel Display Code	Selection	Description
Minor Alarm	ALM	ENA	Enables the generation of the output alarm on pin H when a system alarm condition occurs.
		DIS	Disables the generation of the output alarm on pin H when a system alarm condition occurs.
Network AIS Signal	NAIS	CI	If ALMP is set to AIS, this option specifies which pattern is sent to the network when a remote LOS or AIS occurs. When configured for CI, an AIS-CI pattern is sent to the network.
		AIS	When configured for AIS, an AIS pattern is sent to the network.
Performance Report Messaging	PRM	SPRM	The H2TU-R generates Supplemental PRM (SPRM) every second if no PRM is received from the CPE within 5 seconds of a reset or if an LOS/AIS/LOF condition occurs. TL1 commands and responses are enabled.
		NPRM	The H2TU-R generates Network PRM (NPRM) if no PRM is present from the CPE. If the CPE is sending PRMs, NPRM is generated every second in addition to the existing PRM. TL1 commands and response are enabled.
		S + N	The H2TU-R generates an NPRM which is tagged onto an SPRM every second. The H2TU-R generates SPRM if no PRM is present from the CPE. If the CPE is sending PRM, the PRM is converted to an SPRM. TL1 commands and responses are enabled.
		OFF	ESF Datalink (DL) is completely transparent. No PRMs are generated. There are no TL1 responses unless the system is first armed by a TL1 command, which enables performance monitoring.
SF RAI to SF RAI-CI Toward Network See “SF RAI to SF RAI-CI Toward Network (RACI) Option” on page 23.	RACI	ENA	Allows a DS1 SF-RAI (yellow alarm) signal received by the H2TU-R to be converted to an SF-RAI-CI signal toward the network.
		DIS	Prevents conversion of the DS1 SF-RAI to SF RAI-CI. It does not prevent SF RAI-CI to ESF RAI-CI from occurring when FCON is active.
ESF RAI to SF RAI Overwrite See “ESF RAI to SF RAI Overwrite (ROVR) Option” on page 23.	ROVR	ENA	If the CONV option is set to FCON or ACON, an ESF DS1 payload from the network with an embedded RAI pattern is converted to an SF-RAI pattern toward the CI at the H2TU-R.
		DIS	Prevents conversion to an SF-RAI pattern.
H2TU-R DS1 Frame Conversion See “H2TU-R DS1 Frame Conversion (CONV) Option” on page 23.	CONV	ACON	Auto (ACON) detection of framing and potential frame conversion at the remote.
		OFF	Framing determined by the DS1 frame formatting option.
		FCON	Auto detection of framing and forced frame format conversion (FCON) at the H2TU-R.
Fractional T1 Mode See “Fractional T1 (FT1) Option” on page 26.	FT1	ENA	Enables system response to DDS latching loopback commands for fractional T1 applications and enables CPE disconnect or trouble indication. See Figure 30 on page 54 for LOS/AIS response priorities.
		DIS	Disables system response to DDS latching loopback commands for fractional T1 applications and CPE disconnect or trouble indications.

Continued

Table 6. H2TU-C-319 List 4E ADC Config Menu Options (Continued)

ADC Config Menu Options	Front-Panel Display Code	Selection	Description
Active DS1 Port See "Dual DSX-1 Port Option" on page 31.	ADS1	MUX	The MUX mode selects the DSX-1 (MUX) port as the active source for the DS1 Signal to transmit to the HSDL Line Port #1. An AIS signal is sent to the auxiliary Port #2. Equalizer settings apply to the MUX DSX-1 port. The AUX equalizer is set to 0.
		AUX	The AUX mode selects the auxiliary DSX-1 Port #2 as the active source for DS1 signal to transmit to the HDSL Line Port. In this case, the MUX port is used as a monitor or splitting device for electrical test access. Equalizer settings apply to the AUX DSX-1 port. The MUX equalizer is set to 0.
		CTHR	Activates the Cut-through mode. This mode electrically connects the MUX port to the AUX port and the H2TU-C operates as a cut-through card. This is used when one tributary from the Wideband 3190 MUX card is required to appear at the DSX-1 interface to the local central office. Equalizer settings apply to the MUX DSX-1 port. The AUX Equalizer is set to 0.

HDSL2 BER Threshold (HBER) Option. The HBER option permits the monitoring of loop integrity and reporting of alarms when excessive errors are detected. The PM primitive used for this purpose is the CRC checksum performed on the HDSL2 frame for both directions of transmission. It is, therefore, called a block error rate rather than the bit error rate associated with the DS1 interface. The CRC errors and counts are displayed on the Monitor screen for both the H2TU-C and H2TU-R. The HBER option allows an alarm to be generated if the total number of CRCs at either the H2TU-C or H2TU-R exceeds the selected BER threshold during the last 1-minute interval.

- HBER option = 1E-6. Alarm is generated if CRC > 93
- HBER option = 1E-7. Alarm is generated if CRC > 9

Once initiated, the HBER count clears when the CRC count drops below the selected threshold. Selecting NONE inhibits this alarm.

H2TU-C Equalization (EQL) Option. Equalization is the configuration of system transmission characteristics within specified limits. An adaptive equalizer inserts a frequency-shaped loss that corresponds to an equivalent addition of an appropriate cable length. By simulating the additional cable loss necessary for correct operation, the equalizer compensates for a range of variation in transmission path characteristics.

Alarm Pattern (ALMP) Option. To improve HiGain HDSL2 compatibility with the switch-to-protect features used in Digital Loop Carrier (DLC) feeder applications, the H2TU-C has an Alarm Pattern (ALMP) option that allows you to select either an AIS or LOS DS1 output payload for the following alarms:

- LOSW on any loop
- LOS DS1

Bipolar Violation Transparency (BPVT) Option. The H2TU-C improves compatibility with Digital Loop Carrier (DLC) feeder applications because of its ability to transmit DS1 BPV occurrences between its DS1 interfaces. This feature is required to support protection switching in DLC applications. Each DLC terminal must be able to monitor the integrity of its Receive DS1 payload and then switch to the protect line when the integrity of the path drops below specific user selected limits. An essential requirement of this feature is the need for each DLC terminal to detect BPVs in its DS1 input. Standard HDSL systems correct DS1 BPVs at the input and therefore prevent them from being detected by the DLC terminals to which they are connected. The H2TU-C and its associated remote units remove this limitation and become BPV transparent by detecting and counting input BPVs at each end and then by replicating them at the DS1 output port of the distant end.

The BPV count is converted into BPVs at the distant end during the following second at a rate of 1 BPV every 128 DS1 bits up to a maximum of 12000 ($BER = 7.7 \times 10^{-3}$). This maximum rate is more than adequate since it exceeds the maximum 10^{-3} BER required by most DLC systems.

DS1 BER (DBER) Option. The DS1 BER alarm occurs when any of the DS1 or DSX-1 performance monitoring parameters listed in [Table 7](#) exceed the counts shown for the 24-hour period between 12:00:00 AM through 11:59:59 PM. These thresholds correspond to a 10^{-6} BER. All PM counters clear to zero at 12:00:00 AM or when Master Clear is selected. See “[Clearing the History, Alarm, and Event Log Screens](#)” on page 33.

Table 7. DS1 and DSX-1 24-hour PM Threshold

Parameter	Threshold Count
CV-L (BPV)	133,400
ES-L, ES-P, PRM, PDVS-L	648
SES-L, SES-P	100
UAS-P, UAS-L	10

SF RAI to SF RAI-CI Toward Network (RACI) Option. In general, the Remote Alarm Indication - Customer Installation (RAI-CI) signal is a RAI signal which contains a signature indicating that an LOF or AIS failure has occurred within the customer's network.

RAI-CI is transmitted toward the network when these two conditions are simultaneously true at the point from which RAI-CI is originated (at the H2TU-R, toward the network):

- RAI is received from the CI
- No LOF, LOS, or AIS failure is detected in the signal received from the network.

Since RAI-CI meets the definition of RAI, it may be detected and used exactly as an RAI.

For ESF, the RAI-CI signal is a repetitive pattern with a period of 1.08 seconds. RAI-CI is formed by sequentially interleaving 0.99 seconds of the unscheduled message 00000000 11111111 (right-to-left), which represents RAI in the DL, with 90 milliseconds of the message 00111110 11111111 (right-to-left) to flag the signal as RAI-CI.

For SF, the SF-RAI-CI signal is transmitted in-band by setting each of the 24 channel time slots to 1000 1011 (left-to-right). In addition to the criteria specified above, the generation of SF-RAI-CI has to be held for 1 second to examine the DS0 channels for the presence of a frame with an all-zeroes pattern. If present, the generation of SF-RAI-CI is suspended for the duration of the all-zeroes pattern.

In all SF environments, the H2TU-R automatically converts a CPE DS1 payload with an embedded RAI signal into an RAI-CI pattern toward the network if the RACI option is enabled (default). Such a conversion affects the payload as described above. Disable RACI to avoid this payload-affecting conversion.



The SF RAI to SF RAI-CI option is only applicable in an all SF framing environment. If SF to ESF conversion is active (the CONV option is set to either ACON or FCON), the SF RAI is converted into ESF RAI in the FDL, regardless of the RACI setting.

ESF RAI to SF RAI Overwrite (ROVR) Option. If the ESF RAI to SF RAI Overwrite (ROVR) option is enabled, it allows a network ESF RAI or ESF RAI-CI pattern to be converted into a CPE SF RAI or SF RAI-CI pattern, and overwrites the payload bits with the specific alarm patterns.

If the ROVR option is disabled, it prevents conversion of a network ESF payload with an embedded RAI pattern and preserves the integrity of the CPE payload as it was originally transmitted.

Power Back Off (PBOC and PBON) Option. Power Back Of Network (PBON) and Power Back Off Customer (PBOC) allow the HDSL circuit to support two transmit power templates: default (DEF/higher level) and enhanced (ENH/lower level). These are defined in Section 6.1.4.2 of the ANSI T1E1.4 HDSL2 standard. Each HDSL2 receiver detects the level it is receiving during the start-up, pre-activation sequence. It then compares this level to the level it should be receiving according to the PBON and PBOC option settings (DEF or ENH). If the received level is outside the template limits, the receiver sends a message to the upstream HDSL2 transmitter requesting the proper level. These levels are adjusted only during the start-up routine or if the PBON or PBOC option settings are changed during normal operation. Since the ENH template levels are up to 15 dBm below those of the DEF template, the ENH setting can be used to reduce crosstalk levels into adjacent circuits. (For example, if crosstalk noise is being induced by the H2TU-R, set the PBO C option to its lower (ENH) level setting. Conversely, if the HDSL2 signal at the H2TU-R is being affected by crosstalk noise induced from adjacent pairs, set the PBOC option to its higher (DEF) level setting.



Changing these Power Back Off option settings on a live circuit causes the HDSL2 loop to momentarily drop and then reacquire synchronization. This setting can also affect the operating margins.

H2TU-R DS1 Frame Conversion (CONV) Option. Frame format conversion is only applicable to the remote H2TU-R, but selectable by the H2TU-C or H2TU-R. This option enables the network to be ESF, which is

used to embed SPRM or NPRM into the datalink toward the network. During conversion, frame bit errors are regenerated to ensure transparency.

The HDSL2 system attempts to find ESF or SF framing or determines that no framing exists. The DS1 framing is then synchronized with the HDSL2 frame. If the framing is lost, the system generates an Out-of-Frame (OOF) defect which results in UAS-P. As a result, the system reverts to frame search mode.

This option has the following settings:

- **OFF:** No frame conversion takes place. All framing issues are determined by the FRMG option settings of AUTO and UNFR.
- **ACON:** This is the automatic conversion setting. If the system detects ESF from the network and SF from the CPE, it automatically converts the CPE SF to ESF toward the network as well as the network ESF to SF toward the CPE.

Upon power-on-reset, after loopdown, or after changing the frame conversion option, the framing needs to be re-established before a complete conversion takes place. If there is a failure condition (LOS, AIS, or LOF) during steady state, the previous conversion state is maintained to ensure continuity when the system returns from the failure condition.

If SF is received from the network, the H2TU-R forces an ESF toward the network for about 1.5 seconds. This signals to the far-end PM-NIU at the network boundary that frame conversion is requested. If the far-end PM-NIU is capable of conversion, it changes the framing to ESF. If not, then the H2TU-R reverts to SF and does not apply any conversion.

If an ESF is received from the CPE, it is passed on to the network, and the network's inbound framing is passed on to the CPE.

- **FCON:** This is the forced conversion setting. [Table 8](#) below lists the HiGain HDSL2 responses to both the ACON and FCON settings for the CONV option. The responses are identical, except in cases 3 and 4. In these cases, the FCON reply is attempting to force the network (or the far-end PM-NIU) to send ESF. It also alerts the CPE with an AIS alarm pattern while forcing the ESF to the network. Continuity is maintained as for ACON. [Table 9 on page 25](#) and [Table 10 on page 25](#) list the ESF and SF frame formats, respectively.

Table 8. *Response to H2TU-R DS1 Frame Conversion Options*

Case Number	NET Transmit	CPE Transmit	ACON Option	FCON Option
			NET > CPE NET < CPE	NET > CPE NET < CPE
1	ESF	SF	ESF → SF ESF ← SF	ESF → SF ESF ← SF
2	ESF	ESF	ESF → ESF ESF ← ESF	ESF → ESF ESF ← ESF
3	SF	ESF	SF → SF ESF ← ESF	SF → AIS ESF ← ESF
4	SF	SF	SF → SF SF ← SF	SF → AIS ESF ← SF

Table 9. Extended SuperFrame Format

ESF Number	Frame Bits		
	Framing Pattern Sequence (FPS) - 2 kps	Frame Bit for Datalink (FDL) - 4 kbps	Cyclical Redundancy Check (CRC) Bits - 2 kbps
1		m	
2			C1
3		m	
4	0		
5		m	
6			C2
7		m	
8	0		
9		m	
10			C3
11		m	
12	1		
13		m	
14			C4
15		m	
16	0		
17		m	
18			C5
19		m	
20	1		
21		m	
22			C6
23		m	
24	1		

Table 10. SuperFrame Format

SF Number	Frame Bits	
	Terminal Framing Bit	SuperFrame Signaling Bit
1	1	
2		0
3	0	
4		0
5	1	
6		1
7	0	
8		1
9	1	
10		1
11	0	
12		0

Fractional T1 (FT1) Option. Fractional T1 circuits can be used in feeder networks to provide frame relay service. If such circuits are maintained by a DDS test group, then these circuits must respond to DDS/DS0 latching loopback commands, the only tool test groups have at their disposal. A latching loopback, once it has been initiated by the correct sequence, remains locked or “latched” until the correct loopdown sequence has been detected.

The FT1 option, when enabled, allows the H2TU-C to respond to DS0 latching loopback commands and therefore, supports fractional T1 frame-relay applications. This is in addition to the standard full bandwidth T1 2-in-5 loopup and 3-in-5 loopdown SmartJack commands. FT1 supports both the full T1 enable commands and the new DDS latching loopback commands, which must also be enabled. (For more information about latching loopback commands, refer to BellCore TA-TSY-000077, Issue 3, April 1986.)

The FT1 option supports both the DDS NI and DDS DS0 Data Port (DP) latching loopback sequences listed in Table 11.

Table 11. DDS NI and DS0 DP Latching Loopback Sequence

Enable Sequence	Minimum Number of Bytes	Byte Name	Network Code
1	35	Transition in Progress (TIP)	S0111010
2A	35	NI Loop Select Code (LSC)	S1000001
2B	35	DS0 DP Loop Select Code (LSC)	S0000101
3	100	Loopback Enable Code (LBE)	S1010110
4	35	All Ones	S1111111
5	100	LBE	S1010110
6	32	Far End Voice (FEV)	S1011010
Disable/Loopdown	35	TIP	S0111010

The sequences in Table 11 are sent in time slot 1. The S in the Network Code column is a “don’t care” bit. The loopback is activated after the detection of Sequence 6. Upon completion of the enable sequence, the Test Center continues to transmit FEV bytes in multiples of 20 until FEV confirmation bytes are returned or until about 2 seconds have elapsed. If the confirmation bytes are not received, a failed attempt is reported. Anticipate the minimum number of bytes when the loopback code is transmitted by a preprogrammed machine test pattern generator. This minimum number of bytes will most likely be exceeded when the codes are sent manually. Also, manual testing may inject random data signals between valid control sequences. The detection algorithm ignores these occurrences and only responds to valid control codes.

Table 12 lists the relationship between the latching loopback sequences and the specific HiGain HDSL2 loopback they initiate.

Table 12. HiGain HDSL2 Loopback vs. Latching Sequence

HiGain HDSL2 Loopback	Latching Sequence
NREM	1, 2A, 3, 6
NLOC	1, 2B, 3, 6

The NLOC loopback is called tandem DS0 DP loopback. It is used to select one of many loopback points when there are several identical data ports in tandem. The NI loopback is assigned to the H2TU-R (NREM) since it is usually located at the Network Interface (NI). The DS0 DP tandem loopback is assigned to the rest of the HiGain HDSL2 loopbacks because most DDS test sets support this tandem command set.

The Test Center transmits a group of 40 TIP bytes to loop down the loopback. It continues to transmit TIP bytes in multiples of 20 until the TIP bytes are not returned or until about 2 seconds have elapsed. If the bytes are absent,

a successful loopdown is reported; otherwise, a failed loopdown is reported. The loop-down can also be initiated by depressing the H2TU-R loopback control button or by any of the standard 3-in-5 loop-down commands. The implemented detection/release loopback algorithm functions properly in the presence of a 10^{-3} bit error rate.

Since the FT1 mode is a combination of both the full T1 and the latching loopback modes, all codes are always active. Therefore, if a loopback is initiated by a latching sequence, it can be looped down by either a latching or generic loopback and vice versa. All loopback commands are completely symmetric in the FT1 mode.

If the latching sequence shown in [Table 12 on page 26](#) is interrupted for more than 20 minutes, the detection is cleared, and the H2TU-C reverts back to its initial state where it searches for the initial sequence 1.

After a successful latching sequence terminates in a latched loopback state, this state remains until the Disable command is detected, or until the LBTO option of NONE, 20, 60, or 120 minutes has expired, whichever occurs first.

The unframed AIS pattern that is normally sent toward the network for a CI LOS fault condition must be replaced by the new patterns listed in [Table 13](#) when the FT1 loopback option is selected.

Table 13. Response of H2TU-C-319 List 4E and H2TU-R to LOS and AIS

Case	FT1 Option	H2TU-C Input	H2TU-C Output Pattern			H2TU-R Input	H2TU-R Output	Status Screen	Front-Panel Display
			Framing	Payload	FDL				
1	ENA	SF	SF	01111110	N/A	LOS/AIS	01111110 UNFR	RCV RLOS/RAIS XMT IDLE	ALRM RLOS/RAIS
2	ENA	ESF	ESF	01111110	X ^(a)	LOS/AIS	01111110 UNFR	RCV RLOS/RAIS XMT IDLE	ALRM RLOS/RAIS
3	ENA	LOS/AIS	SF	01111110	N/A	LOS/AIS	01111110 UNFR	RCV RLOS/RAIS XMT IDLE	ALRM RLOS/RAIS
4	ENA	LOS/AIS	SF	PL	X ^(a)	SF/PL	AIS	RCV LLOS/LAIS	ALRM LLOS/LAIS
5	ENA	LOS/AIS	ESF	PL	X ^(a)	ESF/PL	AIS	RCV LLOS/LAIS	ALRM LLOS/LAIS

(a) "Don't care" bit

Test Access

The H2TU-C's PC board's card-edge connector, shown in [Figure 33 on page 68](#), has three separate segments labeled S1 (segment 1), S2 (segment 2), and S3 (segment 3). S3 contains the standard 3192 pin connections. The two extra segments, S1 and S2, have pin connections that support additional features called Dual DSX-1 port option and Metallic Test Access (MTA), respectively, as shown in [Figure 9](#) below through [Figure 12 on page 30](#).

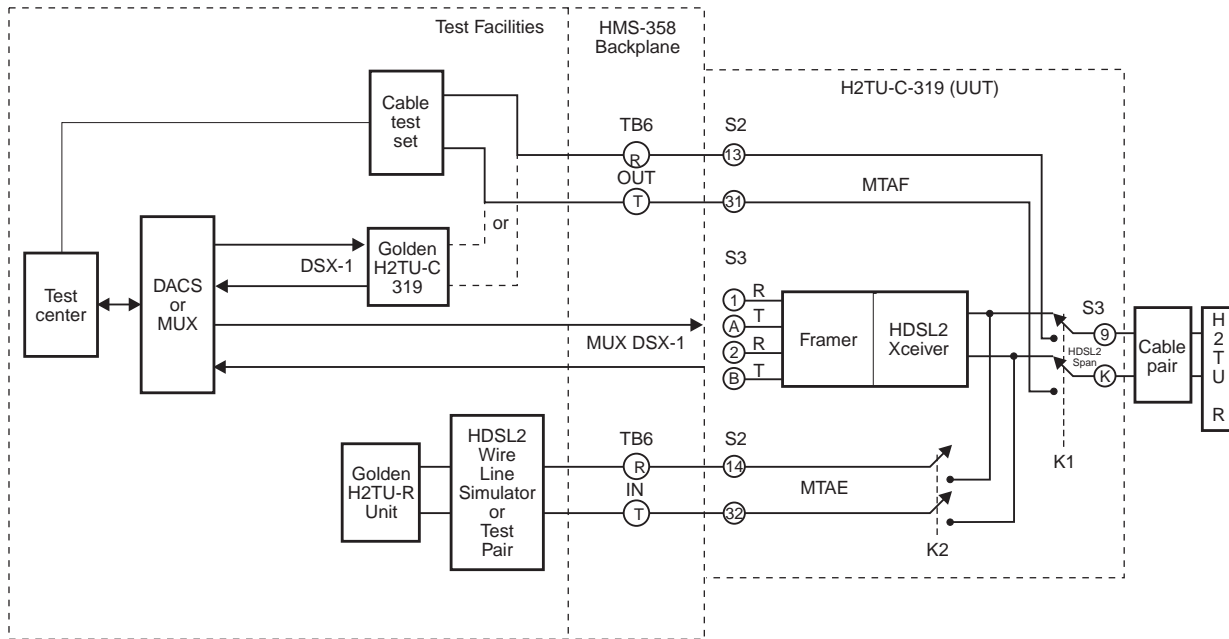


Figure 9. Metallic Test Access Block Diagram

Metallic Test Access. Figure 9 on page 28 shows the block diagram of the metallic test access features which are under control of the two relays, K1 and K2. The S2 metallic test access ports (IN or OUT) are bused to terminal block TB6 located on the HMS-358 backplane, as shown in Figure 10 below. Figure 11 displays the location of TB6 on the HMS-358 backplane.

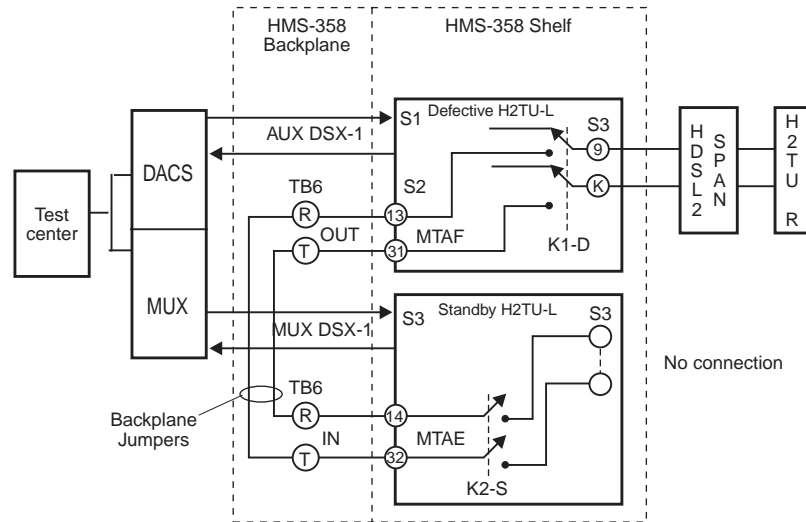


Figure 10. MTA Relays

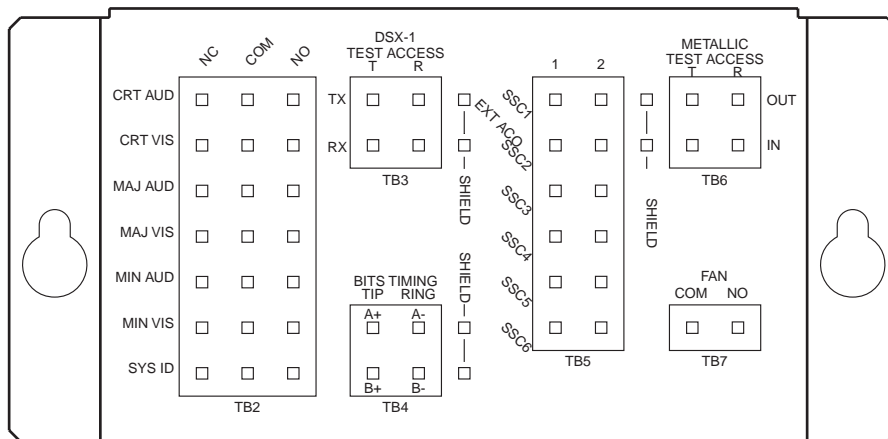


Figure 11. Metallic Test Access TB6 on HMS-358 Backplane

Both relays are energized or pulled down when the user either activates the MTA option from the front panel (or the test menu) or upon command from the HMU. K1 opens the HDSL2 cable pair between the H2TU-Cs transceiver and the incoming span and connects the latter to the Metallic Test Access Facilities (MTAF) OUT T and R pins on TB6. K2 connects the HDSL2 transceiver to the Metallic Test Access Equipment (MTAE) IN T and R pins on TB6. Typical MTAF and MTAE test interfaces are shown in Figure 9 on page 28. A cable test set connected to the out port of TB6 can be used to perform cable tests on the 2 wire HDSL2 cable pairs out to the remote H2TU-R. Alternately, the OUT port of TB6 can connect to a golden H2TU-C which, in conjunction with a T1 test set, can be used to perform system tests on the original circuit minus its H2TU-C and thus isolate any trouble to the equipment or the facilities.

The MTAF IN port of TB6 can connect to an external test facility circuit consisting of an HDSL2 wire line simulator or test pair and a golden H2TU-R remote HDSL2 unit. This connection allows the H2TU-C Unit Under Test (UUT) to be tested from its DSX-1 interface on the simulated test circuit. This allows any problem to be isolated to either the equipment or the facilities. Since this MTA test event disrupts service, it is always accompanied by an MTA/LOSW alarm that is displayed on both the front panel and status screen.

Simultaneous access of the MTAF and MTAE backplane buses by more than one H2TU-C would connect two loops and two transceivers together and must be prevented. Such a conflict is inhibited when the shelf is under command of the HMU-319 management unit. However, when the H2TU-Cs are under manual control, the conflict can occur if the MTA command is issued to two line units in the same shelf or in different shelves if the TB3 and TB6 ports are bussed together to create a single test access to an entire bay. Therefore, the user must be aware of this potential conflict and take care to avoid it.

Figure 10 on page 29 shows a future enhancement of the H2TU-C that uses separate commands to control the two test relays K1 and K2. This allows the IN and OUT ports of TB6 to be connected to each other which creates a circuit that allows a suspected H2TU-C to be replaced by a standby H2TU-C. The MTAF relay K1-D is activated in the defective H2TU-C unit and the MTAE relay K2-S activated in the standby H2TU-C unit. This allows the original facility circuit of the defective H2TU-C to be connected, by way of the TB6 jumpers to the standby H2TU-C unit. The test center can then switch the DSX-1 interface from the defective H2TU-C unit to the standby unit within a DACS or M13 MUX circuit to complete the test circuit.

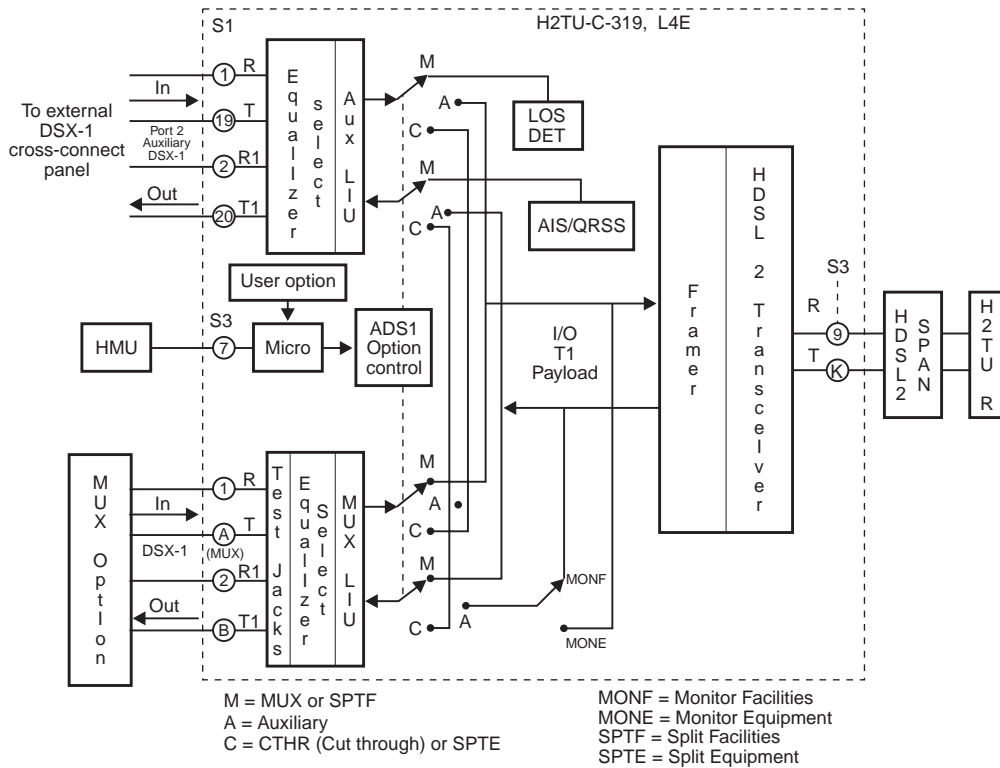


Figure 12. H2TU-C-319 List 4E Block Diagram

The separate control of K1 and K2 permits another test scenario. Two external HDSL2 spans can be looped together at TB6 if the two H2TU-C line units that connect to the two spans both enable their MTAF states and close K1 in each unit. This will loop the two pairs together and allow metallic cable tests to be performed from any point in the loop where both pairs can be accessed.

Future enhancements to the H2TU-C will also allow the following seven bit in-band commands to control K1 and K2:

MTAF (Enable K2)	1010011
MTAE (Enable K1)	1011110
DISABLE K1 or K2	1011011

Dual DSX-1 Port Option

Figure 12 on page 30 is the block diagram of the H2TU-C Dual DSX-1 Port option. The Input/Output (I/O) DS1 payload from the HDSL2 span is routed to either of the two Line Interface Units (LIU) Auxiliary (AUX) LIU and Multiplexer (MUX) LIU as controlled by the following three settings of the Active DSX-1 (ADS1) user options:

- MUX (M)

In the MUX setting, the I/O DS1 payload from the field is connected to the MUX LIU which connects it to the MUX IN and OUT DSX-1 signal levels at the S3 card-edge connector interface. This interface connects to one of the HiGain M13 multiplexers that plugs into the HMS-358 shelf. An AIS out-of-service indicating pattern is sent toward the Auxiliary LIU for the MUX setting. Additionally, the input port of the AUX LIU is monitored for a valid DS1 signal and an AUX LOS alarm is displayed, if no signal is present.

- AUX (A)

The AUX setting of the ADS1 option routes the I/O DS1 payload to the AUX LIU. This LIU converts the payload to the IN and OUT signal levels at the AUX DSX-1 output pins at S1 of the card-edge connector which provides access to an external DSX-1 cross-connect panel.

The AUX setting of ADS1 also supports a subset of four more user options if the MUX DSX-1 interface is connected to a HiGain MUX. These four options, which can only be initiated from the shelf's HMU-319 management card, are called Monitor Facilities (MONF), Monitor Equipment (MONE), Split Facilities (SPTF), and Split Equipment (SPTE) and are described as follows:

- The MONF setting routes the signal received from the facilities at the I/O DS1 payload interface to the MUX, through the MUX LIU, where it can be examined by the MUX test circuits.
- The MONE setting operates like the MONF setting but operates on the signal received from the equipment.
- The SPTF setting forces ADS1 to its MUX setting and presents the full I/O DS1 facilities payload to the MUX for testing.
- The SPTE forces ADS1 to its CTHR setting and presents the full DSX-1 equipment signal from the AUX port to the MUX for testing. Since both the SPTF and SPTE settings disrupt the original AUX circuit, both modes create minor alarm conditions identified as either ALPM SPTF or ALRM SPTE
- Cut-through (CTHR) (C)

The CTHR setting of ADS1 disconnects both LIUs from the I/O DS1 payload and connects the two LIUs in tandem. This allows a DSX-1 circuit from the normal DSX-1 interface (typically a HiGain MUX) to be cross-connected to the external DSX-1 cross-connect panel by way of the AUX DSX-1 interface.



The Equalizer Select option settings apply to either the AUX or MUX port as determined by the setting (AUX or MUX) of the ADS1 option. The equalizer of the unselected port is set to 0. The equalizer settings apply to the AUX port when the Cut-Through setting is selected.

Resetting to Factory Defaults



Resetting the H2TU-C to its original factory settings may cause interruption of service.

To reset the H2TU-C to its original factory defaults:

- 1 Press **C** to select the Config menu.
- 2 Use the **↑** and **↓** arrow keys to select **Set Factory Defaults**, then press **ENTER**.
- 3 Press **Y** if you want to reset the H2TU-C, or press **N** to cancel this action.

```

Monitor  Performance  Event Log  Config  Inventory  Report  Rlogon  Help
+-----+-----+
| Standard Options  -> |
| ADC Options      -> |
| Test Mode        -> |
| Date and Time    -> |
| Master Clear     -> |
| Set Factory Defaults |
+-----+-----+

SETTING FACTORY DEFAULTS . . . SERVICE *MAY* BE INTERRUPTED! ARE YOU SURE (Y/N)?
ID: xxxx--xxxx--xxxx--xxxx  08/01/2001 06:38:12  H2TU-C      System: OK

```

Figure 13. Config Menu - Reset to Factory Defaults

Clearing the History, Alarm, and Event Log Screens

Select Master Clear to clear the History, Alarm and Event Log screens after the system has been installed and is functioning properly. This removes miscellaneous data acquired during the startup session and ensures that you have meaningful data thereafter.

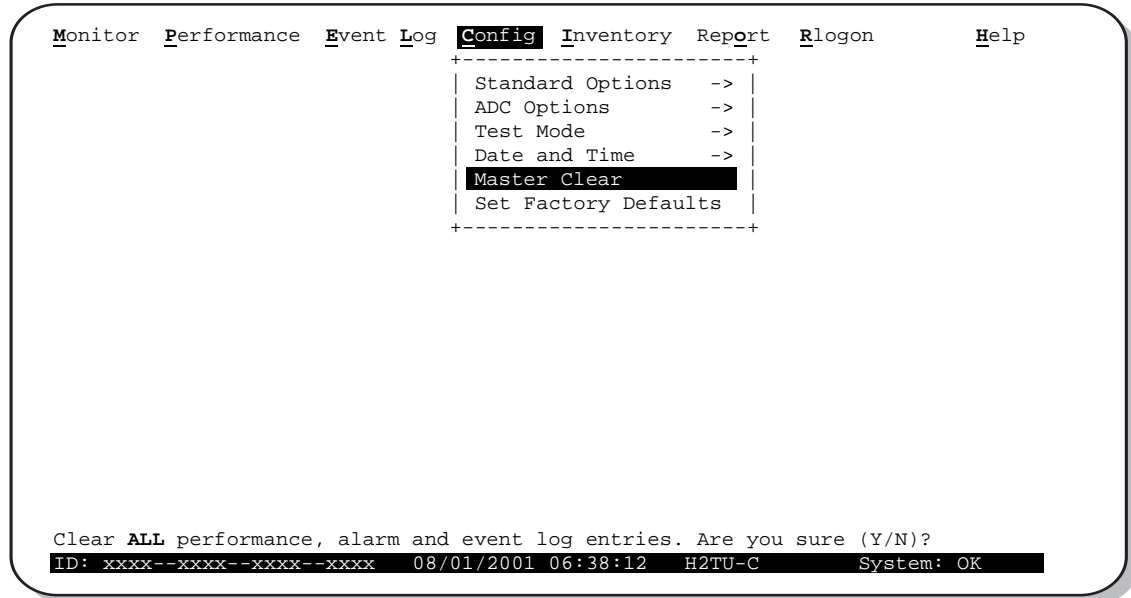


Figure 14. Config Menu - Master Clear

To clear the Event Log, press **E** to select the Event Log screen, then press **L** to clear the screen.

To clear an individual history or alarm screen, do the following:

- 1 Press **P** to select the Performance screen.
- 2 Press the **SPACEBAR** to select an interface (**H2TU-C DS1**, **H2TU-R DS1**, **H2TU-C HDSL2**, or **H2TU-R HDSL2**), then press **ENTER**.
- 3 Press the **SPACEBAR** to select the type of statistics (**Current**, **Alarm History**, **25 Hour History**, **48 Hour History**, or **31 Day History**), press **ENTER** after your selection.
 - Selecting **31 Day History** allows you to clear the Current, 25 Hour, 48 Hour, and 31 Day performance history screens for the selected interface.
 - Selecting **Alarm History** allows you to clear the alarm history screen for the selected interface. For information about the DS1 and HDSL2 alarm screens, see [Table 17 on page 45](#).
- 4 Press **L** to clear the screen.

To clear all history, alarm, and event log screens:

- 1 Press **C** to select the Config screen.
- 2 Use the **↑** and **↓** arrow keys to select **Master Clear**.
- 3 Press **Y** to clear all screens.

MONITORING SYSTEM ACTIVITY AND PERFORMANCE

The H2TU-C-319 List 4E provides the following maintenance screens for monitoring system activity and assessing performance:

- The Monitor screens provide a graphical representation of circuit activity and allow initiation of loopbacks.
- The Performance screens provide current, 24-hour, 48-hour, and 31-day performance histories and a continuous alarm history.
- The Event Log provides a description of the 100 most recent events which include their origin, time and date of occurrence, and message.

USING THE MONITOR SCREEN TO VIEW SYSTEM ACTIVITY

- 1 Press **M** to view the system diagram.

Figure 15 shows an armed circuit with an active loopback and alarms. Terms used on the system diagram are defined in the onscreen Help menu glossary. Abnormal situations are highlighted on the diagram. Table 14 on page 36 describes the screen field.

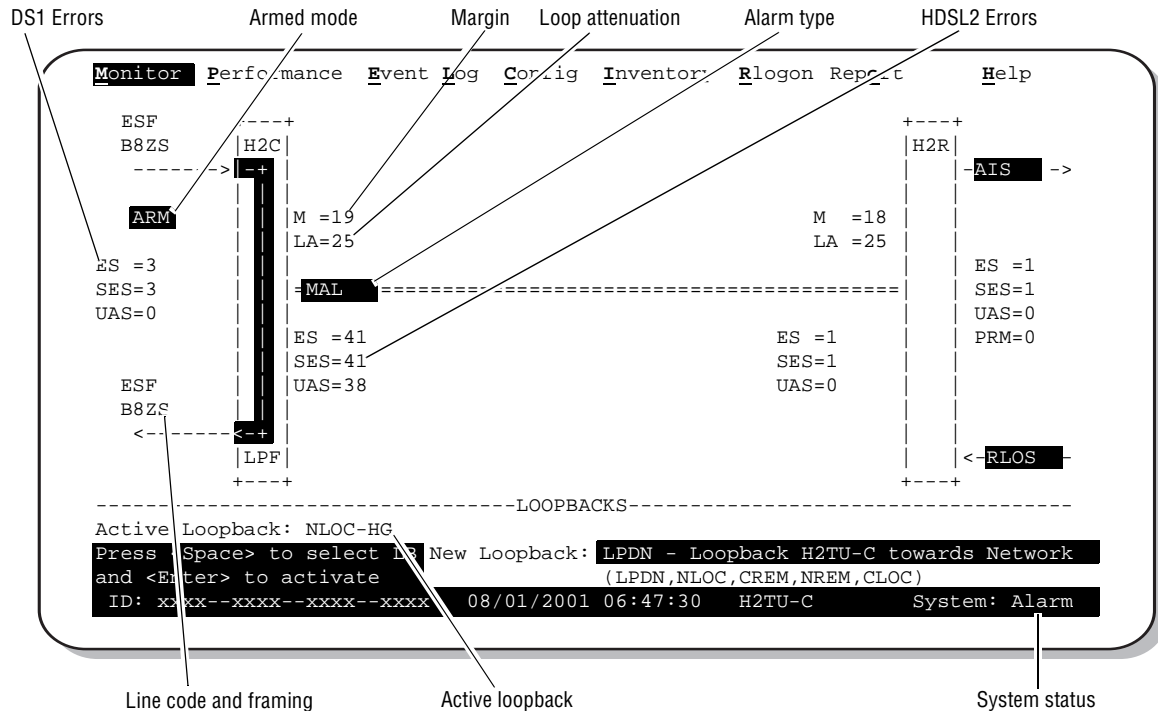


Figure 15. Monitor Screen - Active Loopback with Alarms

- 2 To initiate a loopback, press the **SPACEBAR** to cycle through the loopback choices. Press **ENTER** to select your choice.
When prompted with the message: Are you sure (Y/N)?, press **Y** to initiate the loopback or **N** to cancel. For more information about loopbacks and troubleshooting, see “Testing” on page 52.
- 3 To initiate a loopdown of all active loopbacks, press the **SPACEBAR** to select **LPDN**, then press **ENTER**.
When prompted with the message: Are you sure (Y/N)?, press **Y** to initiate the loopdown or **N** to cancel.

Table 14. Monitor Screen Descriptions

Field	Description
Active Loopback	An active loopback is indicated on the lower third of the Monitor screen. Available loopbacks are indicated by gray text. See Table 22 on page 56 for a summary of the HiGain HDSL2 generic loopback codes and activation methods.
Alarm Type	Indicates type of alarm.
Armed Mode	Indicates system is in an armed state and ready for an intelligent repeater (IR) loopback command.
Code Type	Type of DS1 line coding used (B8ZS or AMI).
DS1 ES Count	Errored Seconds—The sum of the Errored Seconds-Line (ES-L) and Errored Seconds-Path (ES-P) counts detected on the DS1 input over a 24-hour period. Errors included are: DS1 frame errors, BPV, and ESF CRC errors.
DS1 SES Count	Severely Errored Seconds—The sum of the DS1 Severely Errored Seconds-Line (SES-L) and Severely Errored Seconds-Path (SES-P) counts over the last 24 hours.
DS1 UAS Count	Unavailable Errored Seconds—The number of seconds during which the DS1 input signal was absent over a 24-hour period.
Frame Type	Type of DS1 framing used on the input stream (SF, ESF, or UNFR).
HDSL2 ES Count	Errored Seconds—The number of 1-second intervals that contained at least one CRC or LOSW error. This value is a running total of the last 24 Hours.
HDSL2 SES Count	Severely Errored Seconds—The number of 1-second intervals that contain at least 50 CRC errors or one or more LOSW defects. (An LOSW defect occurs when at least three consecutive HDSL2 frames contain one or more frame bit errors.) This value is a running total of the last 24 hours.
HDSL2 UAS Count	Unavailable Errored Seconds—The number of seconds the HDSL2 loop is unavailable. This occurs after 10 contiguous HDSL2 SES and is retired after 10 contiguous non-SES seconds. This value is a running total of the last 24 hours.
ID	Circuit identification (ID) number.
LA	Loop Attenuation—Indicates the attenuation of the Overlapped Pulse Amplitude Modulation Transmission with Interlocking Spectra (OPTIS) pulse from the distant end. The value is related to the 196 kHz loss of the cable pair. The loop attenuation is a more direct indication of the loop attenuation to the OPTIS signal than is the 196 kHz loss. The normal HiGain HDSL2 LA operation range is from 0 to 40 dB.
LPF	Line Power Feed—Indicates the HDSL2 line power is on.
M	Margin—The signal-to-noise ratio at all HDSL2 ports, relative to a 10^{-7} Bit Error Rate.
MAL	Margin Alarm—Indicates the margin on HDSL2 loop has dropped below the threshold (0 to 15dB) as set by the operator.
HG (or PL)	HG displays when the loopback was initiated from a HiGain (HG) front panel or by a HiGain maintenance terminal loopback command. PL displays when the loopback was initiated by a command embedded in the DS1 data path payload (PL).
PRM	The sum of the Performance Report Messaging-Near End (PRM-NE) and Performance Report Messaging-Far End (PRM-FE) counts.
System Status	The presence or absence of an alarm condition is indicated on the lower right corner of all screens. System: OK indicates that there are no alarms present; System: Alarm indicates the presence of an alarm. Refer to “Using the Performance Screens to View Alarm Data” on page 44 .

USING THE PERFORMANCE SCREENS TO VIEW PERFORMANCE DATA

The Performance screens display:

- CRC statistics for the HDSL2 or DS1 interface in 31-day, 48-hour, 25-hour, and current history reports.
- Alarm statistics for the DS1 interfaces (Figure 25 on page 44 and Figure 26 on page 45) or DS1 interfaces (Figure 26 on page 45) on a continuous basis.

To access the performance history screens:

- 1 Press **P** to select the Performance screen.
- 2 Press the **SPACEBAR** to select an interface (**H2TU-C DS1**, **H2TU-R DS1**, **H2TU-C HDSL2**, or **H2TU-R HDSL2**), then press **ENTER**.
- 3 Press the **SPACEBAR** to select the type of statistics (**Current**, **Alarm History**, **25 Hour History**, **48 Hour History**, or **31 Day History**), then press **ENTER**.

Performance History at the DS1 Interface

The Performance History for the DS1 interface provides 31-day, 48-hour, 25-hour, and current statistics screens for the H2TU-C and the H2TU-R (as viewed from the H2TU-C).

Figure 16 below and Figure 17 on page 38 are examples of DS1 performance history screens at the remote unit. Figure 18 on page 39 is an example of DS1 performance history screens at the line unit. Refer to Table 15 on page 39 for descriptions of the kinds of errors reported on DS1 interface screens. Asterisks indicate performance monitoring from the previous day.

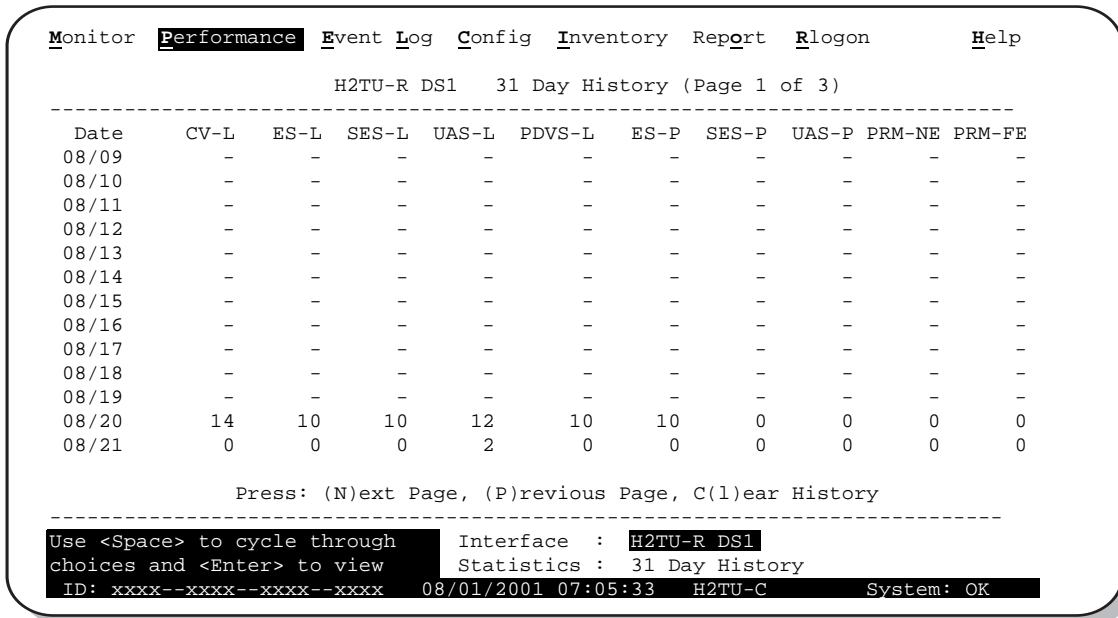


Figure 16. H2TU-R DS1 31-Day Performance History

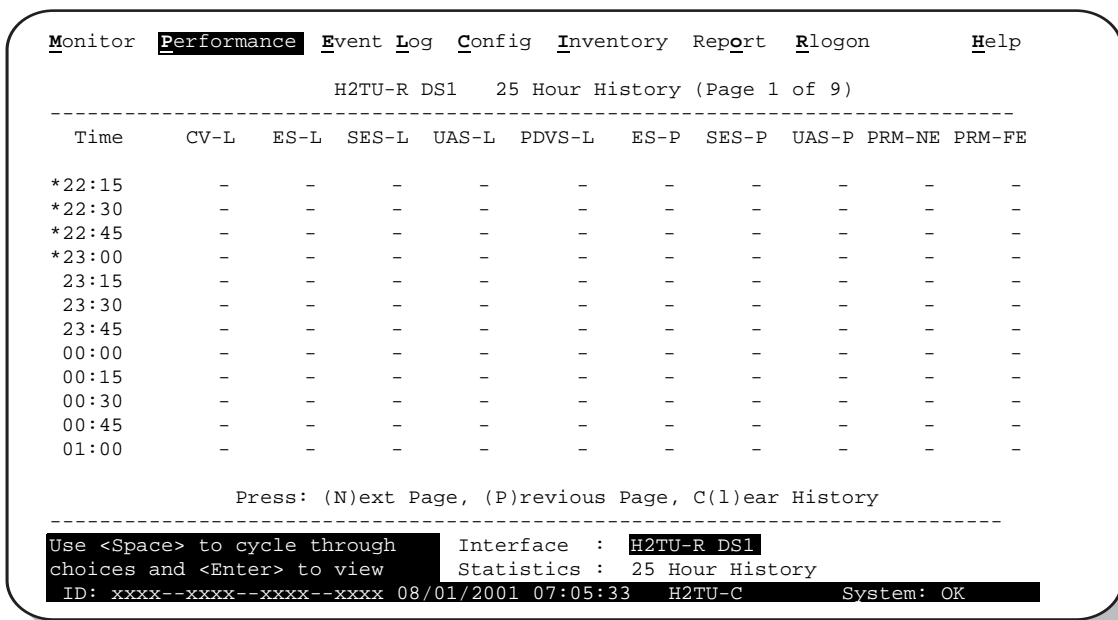


Figure 17. H2TU-R DS1 25-Hour Performance History

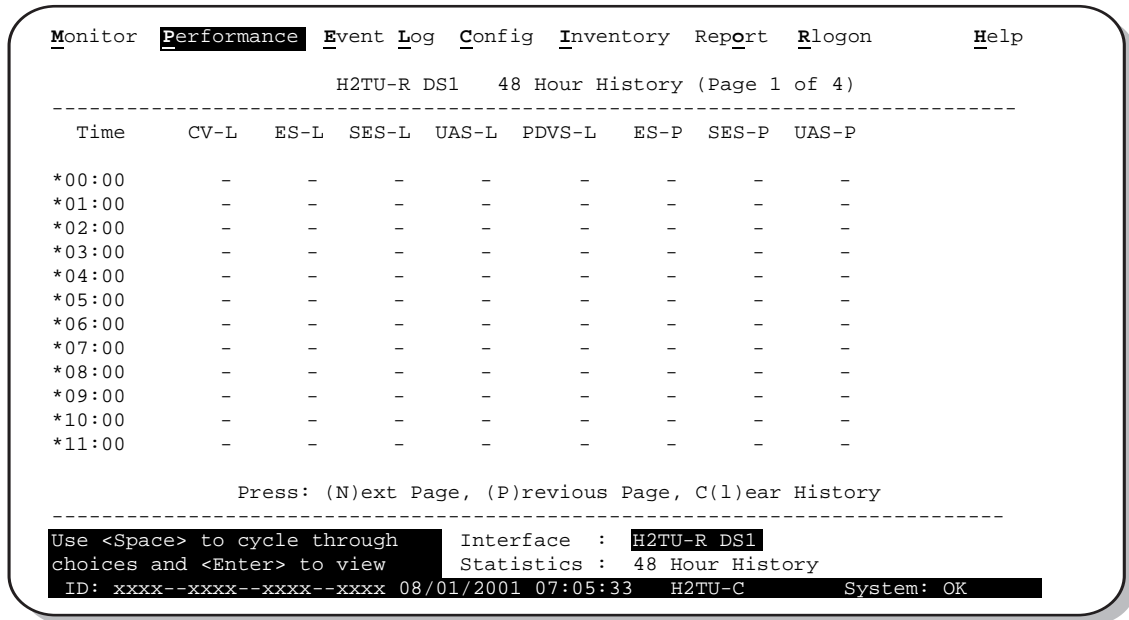


Figure 18. H2TU-C DS1 48-Hour Performance History

Table 15. Error Acronyms Used on the DS1 Performance History Screens

Error Acronym	Description	Error Acronym	Description
CV-L	Code Violation - Line Total BPV count.	SES-P	Severely Errored Seconds - Path Seconds with SEF or CRC (ESF) ≥ 320 or FE ^(d) (SF) $\geq 8 (F_T + F_S)$.
ES-L	Errored Seconds - Line Seconds with BPV ≥ 1 .	UAS-P	Unavailable Seconds - Path A second of unavailability based on SES-P or AIS ≥ 1 .
SES-L	Severely Errored Seconds - Line Seconds with BPV plus EXZ ≥ 1544 or LOS ≥ 1 .	PRM-NE ^(a)	Performance Report Monitoring - Near End The PRM from CPE indicates errors, and the signal received from the network at the remote is error-free.
UAS-L	Unavailable Seconds - Line Seconds with LOS ≥ 1 .	PRM-FE ^(a)	Performance Report Monitoring - Far End The PRM from the network indicates errors, and the signal received from the CPE is error-free.
PDVS-L	Pulse Density Violation Seconds - Line Seconds with excessive zeroes (AMI = 16 zeroes, B8ZS = 8 zeroes).	B8ZSS ^(b)	B8ZS Monitored Seconds Seconds with B8ZS detection when AMI option is active.
ES-P	Errored Seconds - Path Seconds with SEF ^(c) , CRC(ESF), or FE ^(d) (SF) ≥ 1 .	MSEC ^(b)	Monitored Seconds of the current (15 minute/1 hour/1 day) screen.

- (a) Only displays on H2TU-R Performance History screens.
- (b) Displays on the DS1 Current Statistics screens.
- (c) Severely Errored Frame—Two or more frame bit errors occurring in a 0.75 ms interval for SF or a 3 ms interval for ESF.
- (d) FE is a frame bit error.

Performance History at the HDSL2 Interface

The HDSL2 interface has 31-day, 48-hour, 25-hour, and current statistic screens for the H2TU-C. Figure 19 and Figure 20 below are examples of 31-day and 48-hour performance history screens. Figure 21 on page 41 is an example of a 25-hour performance history screen. Refer to Table 16 on page 41 for descriptions of the kinds of errors reported on all HDSL2 performance screens. Asterisks indicate performance monitoring from the previous day.

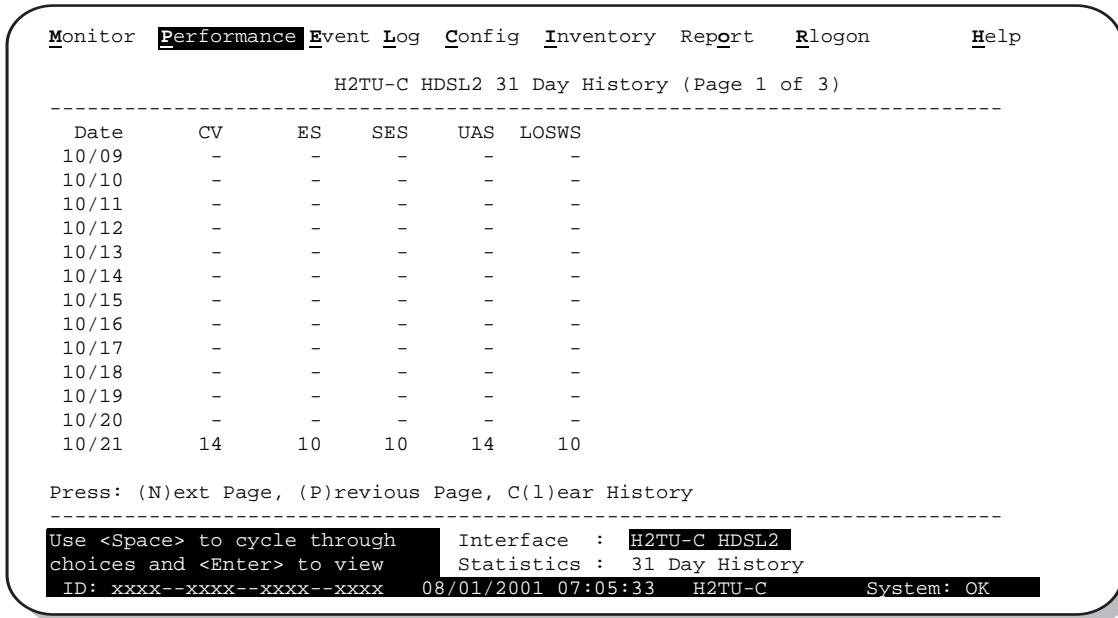


Figure 19. H2TU-C HDSL2 31-Day Performance History

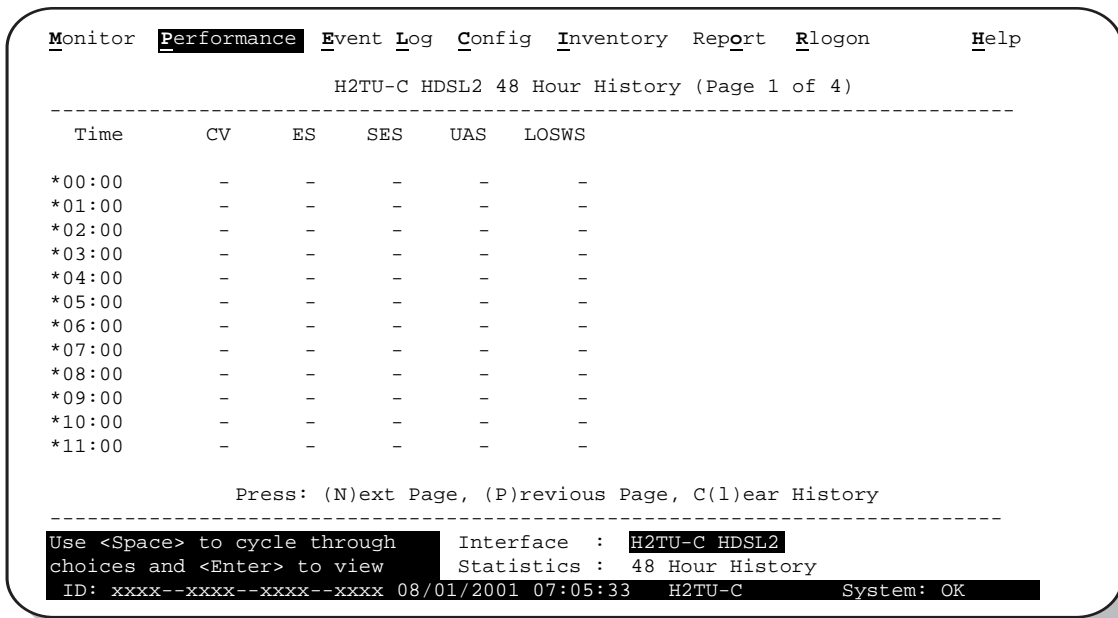


Figure 20. H2TU-C HDSL2 48-Hour Performance History


```

Monitor Performance Event Log Config Inventory Report Rlogon Help
                H2TU-C HDSL2 25 Hour History (Page 1 of 9)
-----
Time      CV      ES      SES      UAS      LOSWS
*22:15    -      -      -      -      -
*22:30    -      -      -      -      -
*22:45    -      -      -      -      -
*23:00    -      -      -      -      -
23:15     -      -      -      -      -
23:30     -      -      -      -      -
23:45     -      -      -      -      -
00:00     -      -      -      -      -
00:15     -      -      -      -      -
00:30     -      -      -      -      -
00:45     -      -      -      -      -
01:00     -      -      -      -      -

Press: (N)ext Page, (P)revious Page, C(l)ear History
-----
Use <Space> to cycle through Interface : H2TU-C HDSL2
choices and <Enter> to view  Statistics : 25 Hour History
ID: xxxx--xxxx--xxxx--xxxx 08/01/2001 07:05:33 H2TU-C System: OK

```

Figure 21. H2TU-C HDSL2 25-Hour Performance History

Table 16. Error Acronyms Used on the HDSL2 Performance History Screens

Error Acronym	Description
ES	Errored Seconds Seconds with HDSL2 CRC ≥ 1 or LOSW ≥ 1
SES	Severely Errored Seconds Seconds with HDSL2 CRC ≥ 50 or LOSW ≥ 1
UAS	Unavailable Seconds Based on 10 contiguous SES occurrences
CV	Code Violation Total count of HDSL2 CRC errors.
LOSWS	Loss of Sync Word Second Seconds with LOSW ≥ 1

Current Statistics Screens for the DS1 Interface

Examples of current statistics screens are shown below. Figure 22 and Figure 23 show statistics for the DS1 interface at the remote unit and line unit, respectively. These screens report 1-day, 1-hour, and 15-minute statistics. Refer to Table 15 on page 39 for descriptions of the kinds of errors reported on these screens.

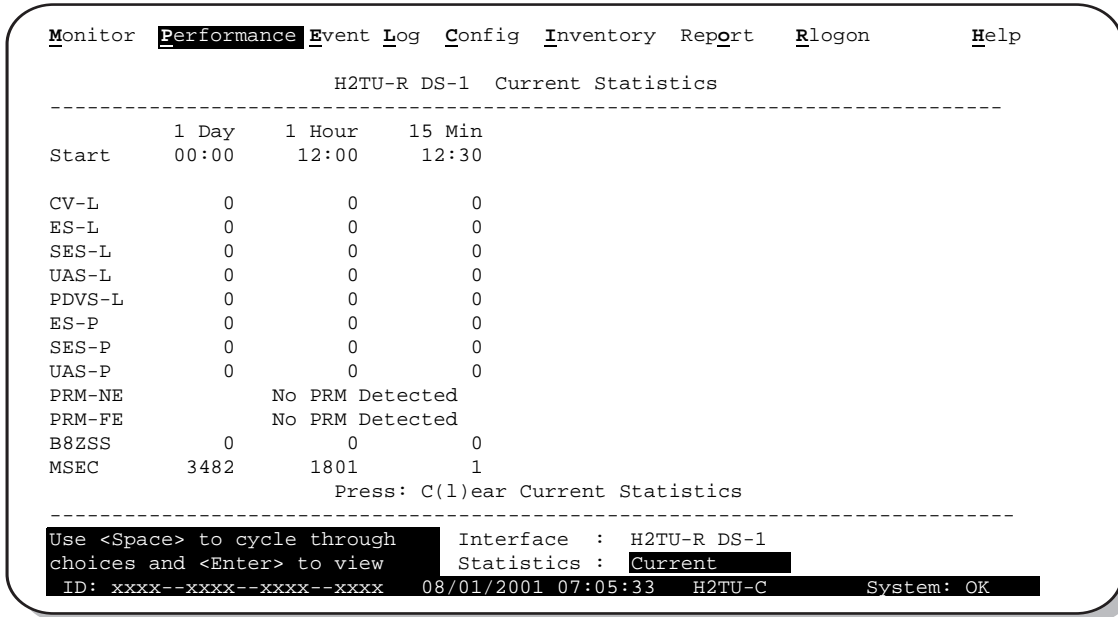


Figure 22. H2TU-R DS1 Current Statistics

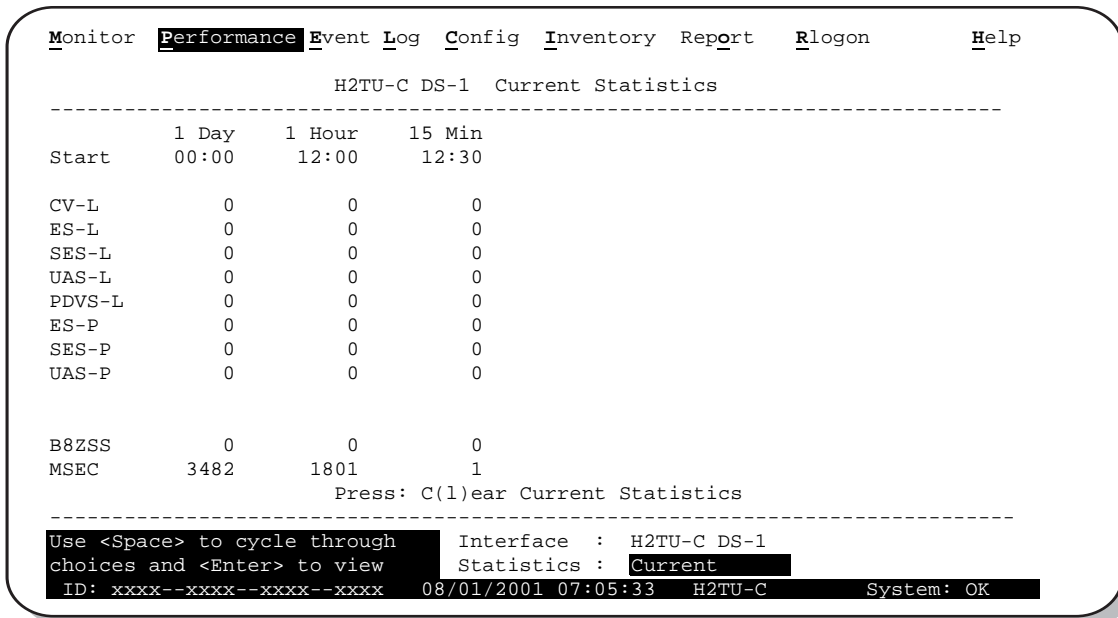


Figure 23. H2TU-C DS1 Current Statistics

Current Statistics for HDSL2 Interface

Figure 24 shows statistics for the HDSL2 interface at the H2TU-C. This screen reports 1-day, 1-hour, and 15-minute statistics. Refer to Table 16 on page 41 for descriptions of the kinds of errors reported on this screen.

```

Monitor Performance Event Log Config Inventory Report Rlogon Help
-----
H2TU-C HDSL2 Current Statistics
-----
Start      1 Day      1 Hour      15 Min
          00:00      12:00      12:30
CV          0           0           0
ES          0           0           0
SES         0           0           0
UAS         0           0           0
LOSWS      3482        1801        1

          Margin(dB)  LA (dB)
Hi          16
Cur        15        25
Low         12

          Press: C(1)ear Current Statistics
-----
Use <Space> to cycle through Interface : H2TU-C HDSL2
choices and <Enter> to view  Statistics : Current
ID: xxxx--xxxx--xxxx--xxxx 08/01/2001 07:05:33 H2TU-C System: OK

```

Figure 24. H2TU-C HDSL2 Current Statistics

USING THE PERFORMANCE SCREENS TO VIEW ALARM DATA

To access the alarm history screens:

- 1 Press **P** to select the Performance menu.
- 2 Press the **SPACEBAR** to select an interface (**H2TU-C DS1**, **H2TU-R DS1**, **H2TU-C HDSL2**, or **H2TU-R HDSL2**), then press **ENTER**.
- 3 Press the **SPACEBAR** until **Alarm History** is selected, then press **ENTER**.
 - Press **N** or **P** to page through the alarm history screens.
 - Press **L** to clear the selected alarm history screen.

Alarm History at the DS1 Interface

The Alarm History screen reports DS1 statistics for the H2TU-C, shown in Figure 25 below, and the H2TU-R, shown in Figure 26 on page 45, on a continuous basis. The types of alarms reported are described in Table 17 on page 45. Current alarms are shown in reverse video.

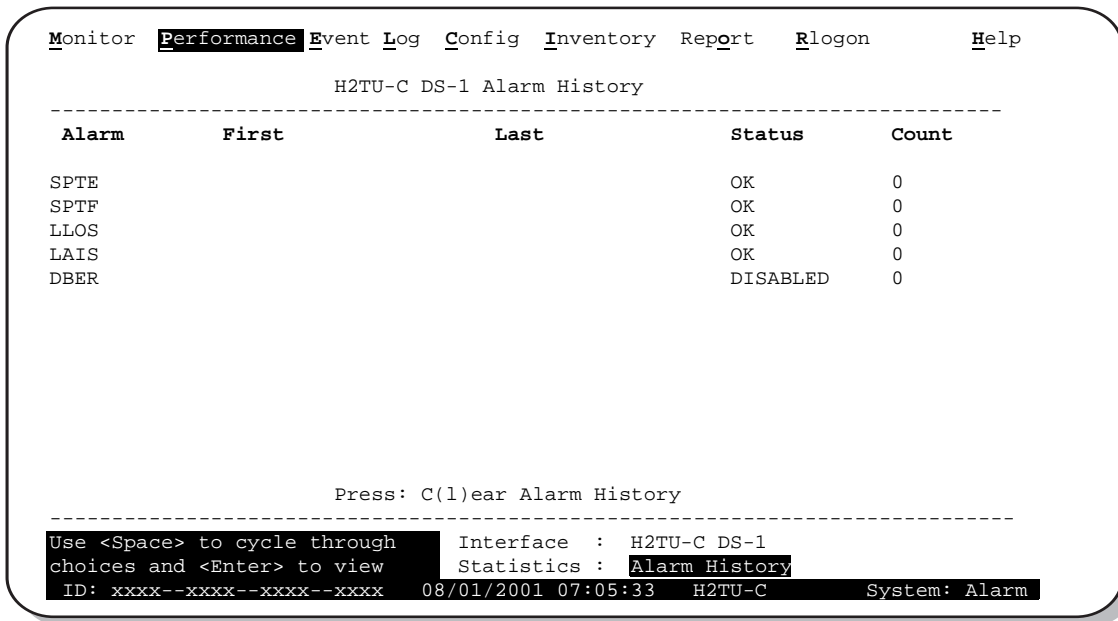


Figure 25. H2TU-C DS1 Alarm History Screen

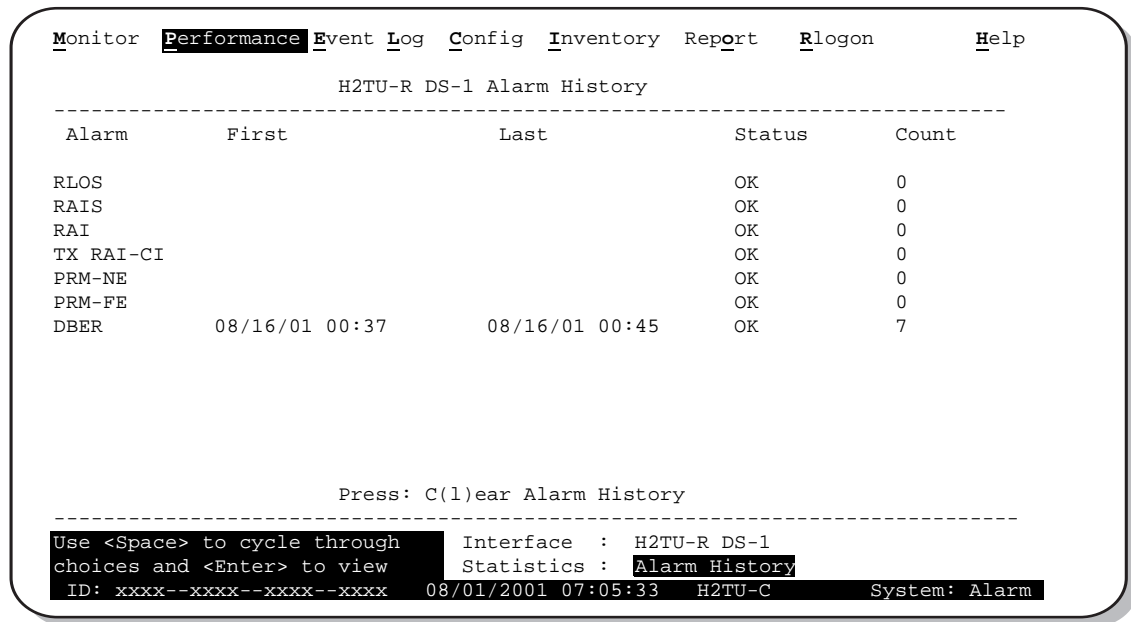


Figure 26. H2TU-R DS1 Alarm History Screen

Table 17. DS1 Alarm Descriptions

Screen Alarm	Front-Panel Alarm	Description
H2TU-C DS1 Alarms (see Figure 25 on page 44)		
SPT	Split Equipment	A test mode initiated by the HMU which splits the AUX port's DSX-1 payload and sends it to the MUX port.
SPTF	Split Facilities	A test mode initiated by the HMU which splits the AUX facility DS payload from the AUX port #1 and sends it to the MUX port.
LLOS ^(a)	LLOS	Local Loss of Signal—Loss of the H2TU-C DSX-1 input signal.
LAIS	LAIS	Line Alarm Indication Signal—Indicates an AIS (all ones) pattern is being detected at the H2TU-C DS1 input port. The ALMP option determines whether AIS (default) or LOS is sent towards the CPE.
DBER	xxx-DBER	Bit Error Rate—The DS1 BER has exceeded the built-in 24-hour threshold limits of approximately 10 ⁻⁶ . (xxx denotes either TUC or TUR.)
H2TU-R DS1 Alarms (see Figure 26 above)		
RLOS ^(a)	RLOS	Remote Loss of Signal— Loss of the H2TU-R DS1 input signal.
RAIS	RAIS	Remote Alarm Indication Signal—AIS is being detected at the H2TU-R DS1 input port. By default (see Figure 30 on page 54) AIS-CI ^(b) is sent toward the network.
RAI	RRAI	Remote Alarm Indication—Indicates an RAI alarm (yellow) from the CPE with errors from the line unit or network.
TX RAI-CI	TRCI	Transmit RAI-CI - Remote Alarm Indication at the H2TU-R—Upon reception of an RAI (yellow LED) from the CPE, the H2TU-R sends an RAI-CI towards the network if the network signal received at the H2TU-R is clear. If the network signal is impaired (LOS, AIS or LOF), then the RAI is passed on to the network unaltered. This is applicable to SF or ESF framing. In an all SF environment, RACI must be enabled to convert SF-RAI to SF-RAI-CI.
PRM-NE	PRMN	Performance Report Monitoring - Near End—The count of the PRM-NE register at the H2TU-R exceeds the 10 ⁻⁶ BER threshold at 648 events since 12:00:00 AM.
PRM-FE	PRMF	Performance Report Monitoring - Far End—The count of the PRM-FE register at the H2TU-R exceeds the 10 ⁻⁶ BER threshold at 648 events since 12:00:00 AM.

Continued

Table 17. DS1 Alarm Descriptions (Continued)

Screen Alarm	Front-Panel Alarm	Description
DBER	xxx-DBER	Bit Error Rate—The DS1 BER has exceeded the built-in 24-hour threshold limits of approximately 10 ⁻⁶ . (xxx denotes either TUC or TUR.)

(a) This is a DS1-specific alarm that also issues a minor alarm (sent to the management unit or the backplane), if enabled.
 (b) AIS-CI is a modified AIS alarm pattern. Equipment not suited to detect AIS-CI still detects this signal as an AIS. AIS-CI is sent toward the network indicating that an LOS (RLOS) or AIS (RAIS) has been received from the CPE.

Alarm History at the HDSL2 Interface

Figure 27 shows the H2TU-C HDSL2 alarm history and Table 18 describes the alarms.

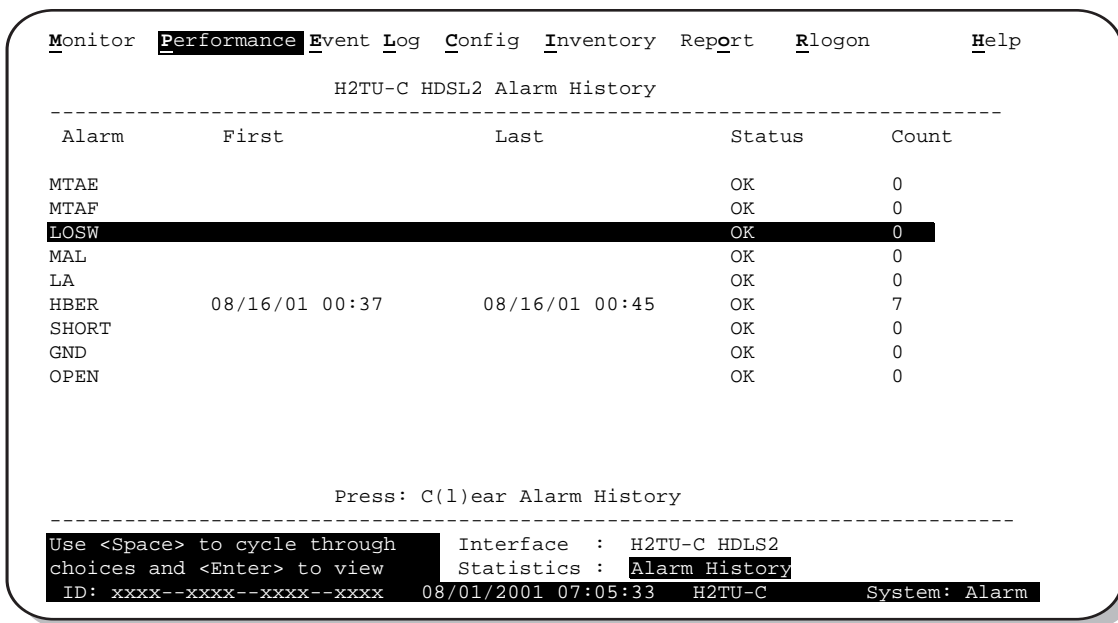


Figure 27. H2TU-C HDSL2 Alarm History Screen

Table 18. HDSL2 Alarm Descriptions

Screen Alarm	Front-Panel Alarm	Description
MTAE	MTAE	Metallic Test Access Equipment—The H2TU-C is in its MTA/LOSW test state.
MTAF	MTAF	Metallic Test Access Facility—The H2TU-C is in its MTA/LOSW test state.
LOSW	LOSW	Loss of Sync Word—The HDSL2 loop has lost synchronization.
MAL	xxx-MAL	Margin—The margin on the HDSL2 loop has dropped below the minimum threshold value set for the system. (xxx denotes either TUC or TUR.)
LA	xxx-LA	Loop Attenuation—The attenuation on the HDSL2 loop has exceeded the maximum value set for the HDSL2 loop attenuation threshold. (xxx denotes either TUC or TUR.)
HBER	xxx-HBER	Block Error Rate—The HDSL2 BER has exceeded the set threshold limits of 10^{-6} or 10^{-7} . (xxx denotes either TUC or TUR.)
SHORT ^(a)	PWR FEED SHRT	Indicates a short between the Tip and Ring of the HDSL2 pair.
GND ^(a)	PWR FEED GND	The HDSL2 loop is grounded.
OPEN ^(a)	PWR FEED OPEN	Indicates a line power open condition.

(a) Displays only on the H2TU-C HDSL2 interface.

USING THE SYSTEM EVENT LOG TO TRACK EVENTS

To view a running log of system events, press **E** to select the Event Log. The Event Log displays the date and time of the 100 most recent events (most recent displayed first) and provides a description of each event. [Table 19 on page 49](#) lists the event log messages.

- Press **N** or **P** to page through the event log.
- Press **T** to return to the top of the log.
- Press **L** to clear the event log.

```

Monitor Performance Event Log Config Inventory Report Rlogon Help
-----
System Event Log (Page 1 of 7)
-----
# Origin Date and Time Entry
1 System 07/21/01 12:25:00 DS1 Alarm Register reset
2 System 07/22/01 12:25:00 HDSL2 Alarm Register Reset
3 System 07/23/01 12:25:00 DS1 Performance Register Reset
4 System 07/24/01 12:25:00 HDSL2 Performance Register Reset
5 System 07/25/01 00:13:32 Time set 12:25:00
6 System 07/26/01 00:13:27 Date set 10/21/00
7 H2TU-C 07/27/01 00:13:27 NLOC: Loop-down
8 H2TU-C 07/28/01 00:11:16 NLOC: Loop-up
9 H2TU-R 07/29/01 00:10:43 DS1 LOS Alarm: End
10 H2TU-R 07/30/01 00:10:30 DS1 LOS Alarm: Begin
11 System 07/31/01 00:04:11 DS1C: AUTO to AMI
12 H2TU-C 08/01/01 00:00:40 HDSL2 LOSW Alarm: End
13 H2TU-C 08/02/01 00:00:02 HDSL2 LOSW Alarm: Begin
14 - EMPTY -
15 - EMPTY -

Press: (N)ext Page, (P)revious Page, (T)op of Log, C(l)ear Log
ID: xxxx--xxxx--xxxx--xxxx 08/01/2001 07:07:54 H2TU-C System: OK

```

Figure 28. System Event Log

Table 19. *Event Log Entry Messages List*

Event Log Messages
Any DS1 Alarm History reset
Any DS1 PM register reset
Any HDSL2 Alarm History reset
Any HDSL2 PM register reset
Any Loop Down (any segment)
Any Loop Up (any segment)
Any provisioning option change: <provisioning mnemonic>: changed from <old> to <new>
CPE DBER alarm (1-day threshold crossed of any PM data except PRM-NE or PRM-FE)
CPE DS1 AIS begins/ends
CPE DS1 LOS begins/ends
CPE PRM-NE BER alarm (<i>at the remote only</i> : 1-day threshold crossed of PRM-NE: trouble on CPE receive)
Current statistics reset
Event Log reset
H2TU-C Power up/down
H2TU-R Power up/down
HDSL2 DC pair open begins/ends on any segment
HDSL2 Ground fault begins/ends on any segment
HDSL2 HBER alarm (threshold crossed) on any segment.
HDSL2 loop attenuation (threshold crossed) on any HDSL2 interface
HDSL2 margin alarm (threshold crossed) on any HDSL2 interface
HDSL2 unavailability begins/ends on any segment
Master zero reset
NTWK DBER alarm (1-day threshold crossed of any PM data)
NTWK DS1 LOS begins/ends
NTWK PRM-FE BER alarm (<i>at the remote only</i> : 1-day threshold crossed of PRM-FE: trouble on NTWK far end)
NTWK DS1 AIS begins/ends
Power Feed Open begins/ends
Power Feed Short begins/ends
RAI begins/ends
TX RAI-CI begins/ends (RAI-CI sent from the remote towards the network)

USING THE REPORT MENU

The Report menu (Figure 29) provides screens containing status and performance monitoring data for line and remote units which can be downloaded to a file for analysis or future reference. Table 20 on page 51 describes the four types of reports provided by the Report menu.

To select each individual report, do the following:

- 1 Press **O** to select Report menu.
- 2 Press the **SPACEBAR** to select a report.
- 3 Use your terminal emulation software (HyperTerminal or Procomm) to capture the selected report to your printer. Press **ENTER** to generate.
- 4 End the captured report.
- 5 Press **CTRL + R** to refresh the Report menu screen.



Figure 29. Report Menu - Full Report

Table 20. Report Types

Type	Contains the following information:
Full Report	<ul style="list-style-type: none"> • Circuit and unit identifications • Product information • System configuration • Current performance statistics • Alarm history • Performance history • System event log
Short Report	<ul style="list-style-type: none"> • Product information • System configuration • Current performance statistics • Circuit and unit identification
System Information Report	<ul style="list-style-type: none"> • Circuit and unit identifications • Product information • System configuration
Event Report	<ul style="list-style-type: none"> • Circuit and unit identifications • Product information • System event log

TESTING

This section provides information about front-panel system alarms, LOS and AIS response, OCT55 test procedure, and loopback testing.

SYSTEM ALARMS

Table 21 summarizes all possible system alarms in order of priority as they appear on the front panel. When multiple alarms occur, the front-panel display only reports the highest priority alarm. The alarm history screens display alarms also, but provide greater detail (see “Using the Performance Screens to View Alarm Data” on page 44). All alarms that are not inhibited will drive the front-panel Status LED to a flashing red alarm state.

Table 21. Front-Panel System Alarms Summary

Front-Panel Message ^(a)	Alarm	Description	To Inhibit:
PWR FEED SHRT ^(b)	Power Feed Short	A short exists between the Tip and Ring of the HDSL2 pair.	Cannot be inhibited.
PWR FEED GND ^(b)	Power Feed Ground	The HDSL2 loop is grounded.	Cannot be inhibited.
PWR FEED OPEN ^(b)	Power Feed Open	A line power open condition exists.	Cannot be inhibited.
LOSW ^(b)	Loss of Sync Word ^(c)	The HDSL2 loop has lost synchronization.	Cannot be inhibited.
MTA	Metallic Test Access	The H2TU-C is in its MTA/LOSW test state.	Sets MTA option to disabled.
SPTF	Split Equipment	A test mode initiated by the H2TU-C which splits the AUX port's DSX-1 payload and sends it to the MUX port.	Sets ADS1 option to MUX or CTHR.
SPTF	Split Facilities	A test mode initiated by the H2TU-C which splits the facility DS1 payload from the AUX port #1 and sends it to the MUX port.	Sets ADS1 option to MUX or CTHR.
LLOS ^(b)	Local Loss of Signal	Loss of the DSX-1 input signal.	Cannot be inhibited.
RLOS ^(b)	Remote Loss of Signal	Loss of the H2TU-R DS1 input signal.	Cannot be inhibited.
LAIS	Local Alarm Indication Signal	Indicates an AIS (all ones) pattern is being received at the H2TU-C input port.	Cannot be inhibited.
RAIS	Alarm Indication Signal at the H2TU-R	Indicates an AIS (all ones) pattern is being received at the H2TU-R DS1 input port.	Cannot be inhibited.
RRAI	Remote Alarm Indication	Remote Alarm Indication at the H2TU-R Indicates an RAI alarm (yellow LED) from the CPE with errors from the line unit or network.	Cannot be inhibited.
LRAI	Remote Alarm Indicator - Customer Installation	Indicates an RAI alarm (yellow LED) from the CPE with an error-free signal from the line unit or network.	Cannot be inhibited.
TRCI	Remote Alarm Indication - Customer Installation	Upon reception of an RAI (yellow LED) from the CPE, the H2TU-R sends RAI-CI toward the network if the network signal received at the H2TU-R is clear. If the network signal is impaired (LOS, AIS, or LOF), then the RAI is passed on to the network unaltered.	Cannot be inhibited.
xxx-DBER	DS1 Bit Error Rate	The DS1 BER has exceeded the set 24-hour threshold limit of approximately 10^{-6} . (xxx denotes either TUC or TUR. If TUC and TUR occur at the same time, then TUC displays.)	Select DIS for the DBER system option.
PRMF	Performance Report Messaging - Far End	Indicates H2TU-R PRM-FE BER threshold is exceeded.	Set DBER threshold to DIS.
PRMN	Performance Report Messaging - Near End	Indicates H2TU-R PRM-NE BER threshold is exceeded.	Set DBER threshold to DIS.

Continued

Table 21. *Front-Panel System Alarms Summary (Continued)*

Front-Panel Message ^(a)	Alarm	Description	To Inhibit:
xxx-HBER ^(b)	HDSL2 Block Error Rate	The HDSL2 BER has exceeded the set threshold limits of 10^{-6} or 10^{-7} . (xxx denotes either TUC or TUR. If TUC and TUR occur at the same time, then TUC displays.)	Select NONE for the HBER system option.
xxx-MAL	Margin Alarm	The margin on the HDSL2 loop has dropped below the minimum threshold value set for the system. (xxx denotes either TUC or TUR. If TUC and TUR occur at the same time, then TUC displays.)	Set the Margin Alarm Threshold option to 0 (zero).
xxx-LA	Loop Attenuation	The attenuation on the HDSL2 loop has exceeded the maximum value set for the HDSL2 loop attenuation threshold. (xxx denotes either TUC or TUR. If TUC and TUR occur at the same time, then TUC displays.)	Set the HDSL2 Loop Attenuation Threshold option to zero.

(a) The message, ALRM, displays prior to any alarm message.

(b) Only these alarms assert the System Alarm bus on pin H of the card edge connector, if the alarm system is set to ENABLE.

(c) When the HDSL2 loop loses sync word (LOSW), a system alarm condition exists. The H2TU-C enters the acquiring mode, the front panel status LED flashes red, and the ACQ or SIG message displays instead of the ALRM message.

Alarm Option for the Digital Loop Carrier Feed

To improve HiGain HDSL2 compatibility with the switch-to-protect features used in the Digital Loop Carrier (DLC) feeder applications, the H2TU-C has an Alarm Pattern (ALMP) option that allows you to select either an AIS or LOS DS1 output payload for the following alarms:

- LOSW on any loop
- LOS DS1

Retiring System Alarms

To retire a system alarm, press the LBK pushbutton and execute an Alarm Cutoff (ACO). An ACO turns the alarm off and replaces the ALRM message with an ACO message. The second part of the ALRM message, which defines the cause of the alarm, remains. Both parts of the message remain until the alarm condition clears or another higher priority alarm occurs.

Remote LOS and AIS Response

Figure 30 shows the differing ways the H2TU-R can respond to the network, depending on the configuration of the TLOS, NLBP, FT1, ALMP, and NAIS configuration options described in Table 5 on page 18 and Table 6 on page 19. See Table 13 on page 27 for the response of the H2TU-C and H2TU-R to LOS and AIS alarm conditions.

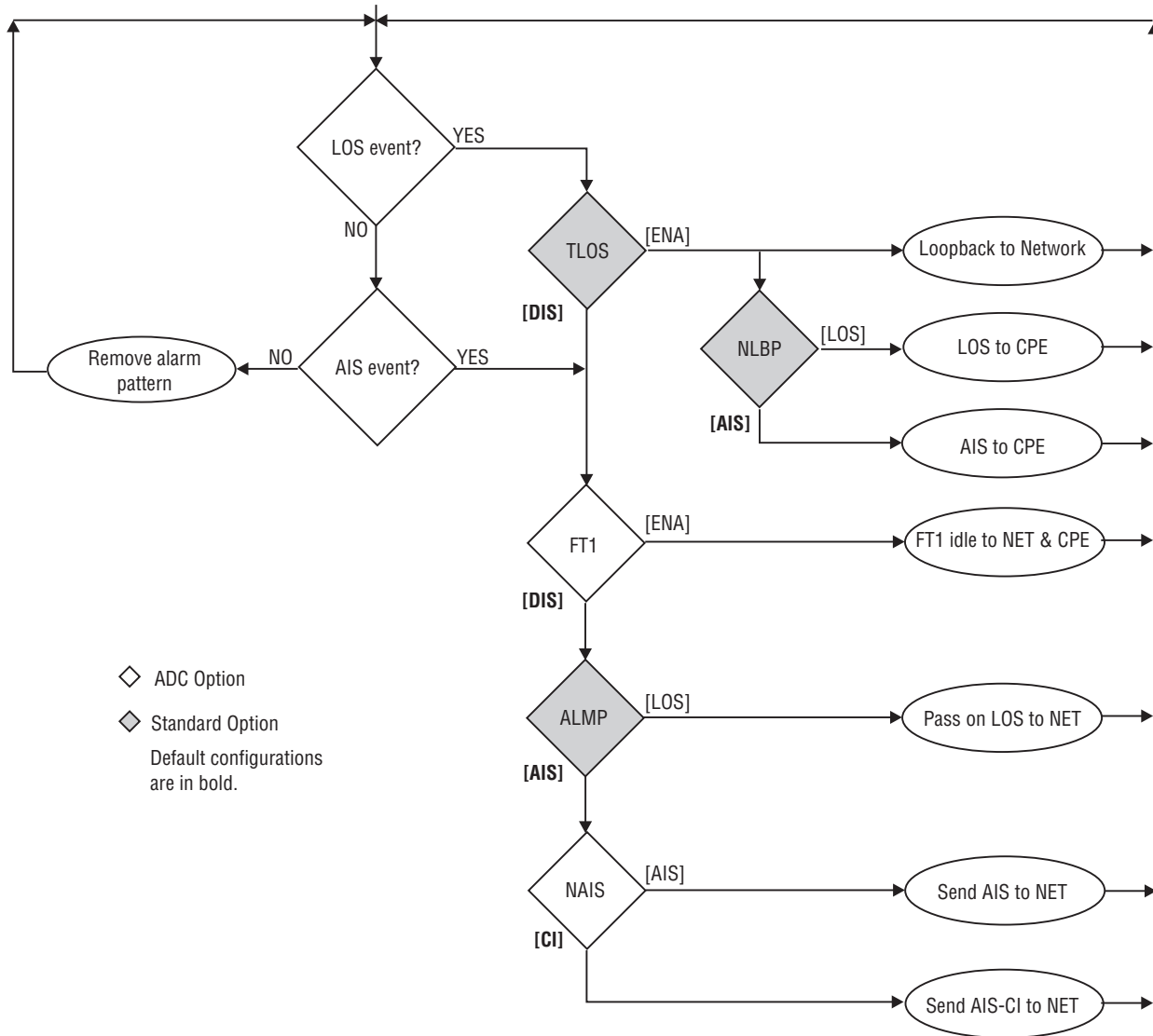


Figure 30. H2TU-R LOS and AIS Response Priorities

OCT55 TEST PATTERN WITH AMI LINE CODE

The OCT55 test pattern can be used in unframed mode to stress the system and verify data integrity. In an SF or ESF framing mode, excessive zero anomalies may occur, which causes the H2TU-C to report ES, SES, and UAS errors according to ANSI T1.231-1997.

LOOPBACK OPERATION

HiGain HDSL2 has a family of loopback options for analyzing circuit functionality. The loopback signal is transmitted and returned to the sending device for comparison. This allows you to verify the integrity of the HDSL2 channels to the H2TU-C, the H2TU-C DSX-1 interface and the DS1 channels to the customer. Loopback options include:

- Generic Loopback (GNLB) commands, including the SmartJack (SMJK) option (see [Table 22 on page 56](#))
- Special Loopback (SPLB) commands (see “[Special Loopback Commands](#)” on page 56) and the following command tables:
 - Addressable Repeater Loopback commands: A2LB (see [Table 21 on page 52](#))
 - Addressable Repeater Loopback commands: A3LB, A4LB (see [Table 24 on page 64](#))

Loopback commands can be initiated by:

- Selecting the loopback type using the MODE and LBK pushbuttons on the H2TU-C front panel or the manual loopback (LBK) pushbutton on the H2TU-R.
- Selecting the loopback type from the Monitor menu when connected to the craft port of the H2TU-C or H2TU-R
- Entering the loopback code into the test equipment connected to the H2TU-C or H2TU-R.

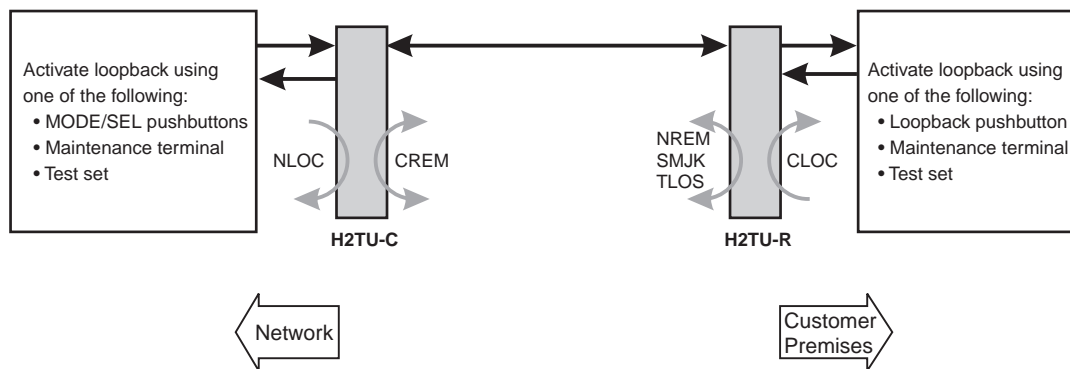


Figure 31. Loopback Summary



HiGain supports multiple loopbacks, but a single loopback is the preferred method.

Generic Loopback Commands

The HiGain HDSL2 Generic Loopback (GNLB) commands allow you to use in-band codes to loop up either NLOC (4-in-7) or NREM (3-in-7) towards the network. In addition, these in-band codes loop up CREM (6-in-7) or CLOC (5-in-7) towards the customer. Either loopup condition can be terminated (looped down) with the 3-in-5, SMJK loopdown code. All in-band codes must be present for at least 5 seconds before the HiGain HDSL2 system responds. TLOS is a logic loopback caused by loss of the DS1 input from the CI.

Figure 31 on page 55 summarizes the available loopbacks in the system, and Table 22 on page 56 summarizes the HiGain HDSL2 generic loopback commands. See “GNLB Test Procedures” on page 59 for the test procedures that apply when using the GNLB mode.

Table 22. Summary of HiGain HDSL2 Generic Loopback Codes and Activation Methods

Loopback	Code	Description	Method of Activation		
			Test Set	Craft Port	MODE/LBK
NLOC	1111000 4-in-7	DSX-1 signal is looped back to the network at the H2TU-C.	X	X	X
NREM	1110000 3-in-7	DSX-1 signal is looped back to the network at the H2TU-R.	X	X	X
CLOC	1111100 5-in-7	Signal from the customer is looped back to the customer at the H2TU-R.	X	X	X
CREM	1111110 6-in-7	Signal from the customer is looped back to the customer at the H2TU-C.	X	X	X

Special Loopback Commands

In addition to the GNLB loopback command mode, a HiGain HDSL2 system can be configured for one of three special loopback command modes. These are selected from the maintenance terminal Config menu, ADC Options screen (see Table 5 on page 18) or by using the MODE and LBK pushbuttons (see Figure 32 on page 60). Once a loopback mode is activated, other loopback commands can be sent by a test set connected to the craft port of the H2TU-C or H2TU-R (see Table 22 on page 56 and Table 24 on page 64 for list of SPLB commands).

A2LB through A4LB are special, addressable, repeater loopback modes that are supported by the H2TU-C. These loopback modes provide the HiGain HDSL2 system with sophisticated maintenance and troubleshooting tools. A2LB is patterned after the Teltrend addressable T1 repeater loopbacks. A3LB and A4LB are patterned after the Wescom addressable T1 repeater loopbacks.

All three SPLBs have been enhanced to handle the specific requirements of the following HiGain HDSL2 customers:

- A2LB (Teltrend) = Southwestern Bell
- A3LB (Wescom) = New England Telephone, Bell Atlantic
- A4LB (Wescom Mod 1) = New York Telephone

A2LB can be configured to do one of the following:

- Block the arming code (after 2 seconds) from exiting the H2TU-C into the network, and replace it with the AIS code.
- Unblock the AIS code by executing the Far-End Activate code.

A3LB and A4LB are identical because all of the SMJK loopup and loopdown commands are under control of the LPBK setting.

SmartJack Loopback Commands

The HiGain HDSL2 SmartJack (SMJK) Loopback (LPBK) commands allow you to use in-band, out-of-band, and universal codes to initiate and terminate loopback testing of the HiGain HDSL2 circuit. (See “[SmartJack Test Procedure](#)” on page 64 for additional information.)

MANUAL LOOPBACK SESSION

A manual loopback session allows you to select any one of the HiGain HDSL2 loopbacks listed in [Table 22](#) on page 56.

Setting the Loopback Time-Out Option

Before initiating a loopback session, verify that the Loopback/MTA Time-out parameter is set to the desired setting.

- 1 Use the MODE and LBK pushbuttons as described in “[Setting Options through MODE and LBK](#)” on page 10.

The Loopback Time-out parameter is also user-selectable from the System Settings screen when using a maintenance terminal.

- 2 Select the desired setting:
 - NONE (time-out disabled)
 - 20 minutes
 - 60 minutes
 - 120 minutes (default setting)

Activating Manual Loopback Mode



With the exception of SmartJack, any of the HiGain HDSL2 loopbacks can be executed using the MODE and LBK pushbuttons.

When executing a manual loopback session using the MODE and LBK pushbuttons:

- The next loopback option can be displayed by pressing the MODE pushbutton, however, the previously activated loopback remains active until the LBK pushbutton is pressed, which activates the new loopback.
- If neither pushbutton is pressed for a period of 30 seconds and no loopback is in effect, the manual loopback session terminates and the display returns to normal mode.
- If any loopback is in effect, the 30-second time-out is inhibited. The active loopback and the manual loopback session continue until the loopback times out in accordance with the LBTO setting.
- Only the SMJK loopback can exist with other network loopbacks at any given time.
- If there is an active loopback, pressing the MODE and LBK pushbuttons for 3 or more seconds terminates any active loopback, ends the manual loopback session and returns the display to normal mode.

To initiate a manual loopback session:

- 1 Press both the MODE and LBK pushbuttons on the front panel for at least 3 seconds. The following message appears on the front-panel display:

```
MAN LPBK NLO?
```

- 2 Press LBK to activate NLOC. The display changes to MAN LPBK NLOC.
- 3 Press MODE to advance to the next available loopback:
 - NRE? = NREM
 - CRE? = CREM
 - CLO? = CLOC
- 4 Press LBK to activate the selected loopback. The previous loopback is terminated.

Once a loopback is selected and activated, the loopback stays active until it times out (based on the LBTO setting). When a loopback times out, the display then returns to the normal display mode.

You can terminate loopbacks manually and exit the MAN LPBK mode by simultaneously pressing the MODE and LBK pushbuttons for 3 or more seconds. If no loopback is active, the MAN LPBK mode automatically terminates after 30 seconds.

All loopbacks can be initiated by in-band commands in the DS1 payload or by a command from the HiGain HDSL2 system (front-panel pushbuttons or maintenance screen selections). Therefore, whenever a loopback is active, the method by which it was activated is indicated in the loopback and status information (Monitor screen) by the annotation HG (HiGain HDSL2) or PL (Payload) adjacent to the identified loopback. For example, NREM-HG indicates that the loopback was initiated by the HiGain HDSL2 system.



SMJK loopback commands are only activated by in-band commands.

ACTIVATING MANUAL METALLIC TEST ACCESS

A Metallic Test Access (MTA) test mode can be initiated with the front panel MODE and LBK pushbuttons in the same way the manual loopbacks can be initiated. This choice is presented at the end of the MAN LPBK sequence of choices.

To initiate a manual MTA session:

- 1 Press both the MODE and LBK pushbuttons on the front panel for at least 3 seconds. The following message appears on the front-panel display:


```
MAN LPBK NLO?
```
- 2 Press MODE to advance to the last choice in the following sequence:
 - CRE?
 - NRE?
 - CLO?
 - NLO?
 - MTA?.
- 3 Press LBK to activate the MTA test mode. This terminates any active loopbacks.
- 4 Once selected, the display changes to MAN MTA.

Once the MTA mode is selected and activated, the MTA mode remains active until it times out based on the LBTO setting. When the MTA mode times out, the display then returns to the normal display mode.

You can also manually terminate the MTA state and exit the MAN LPBK mode by simultaneously pressing the MODE and LBK pushbuttons for 3 or more seconds. If no loopback or MTA is active, the MAN LPBK mode automatically terminates after 30 seconds.

IN-BAND LOOPBACK SESSIONS

The following sections provide step-by-step test procedures for verifying the integrity of the HDSL2 channels at every module location as well as the DS1 channels to the customer and the local DSX-1 interface.

General Troubleshooting Tips

If trouble is encountered on the DSX-1 interfaces of the H2TU-C, verify that the:

- H2TU-C is making a positive connection with its shelf connector.
- H2TU-C internal equalizer is set to the correct distance range, as shown in [Table 5 on page 18](#). All equalizers should be set to the distance from the DSX-1 to the shelf.

The transmit and receive DSX-1 ports have splitting access jacks and miniature, 210-series, bridging jacks as shown in [Figure 1 on page 3](#). Connecting one cable between the two bridging jacks and another between the two LINE jacks splits the IN and OUT and creates metallic loopbacks toward both the DSX-1 and the H2TU-C. If separate plugs are inserted into both LINE jacks with the other end disconnected, the BRG jacks can be used to send and receive test patterns toward the DSX-1. The AUX DSX-1 port has no resident test jack access.



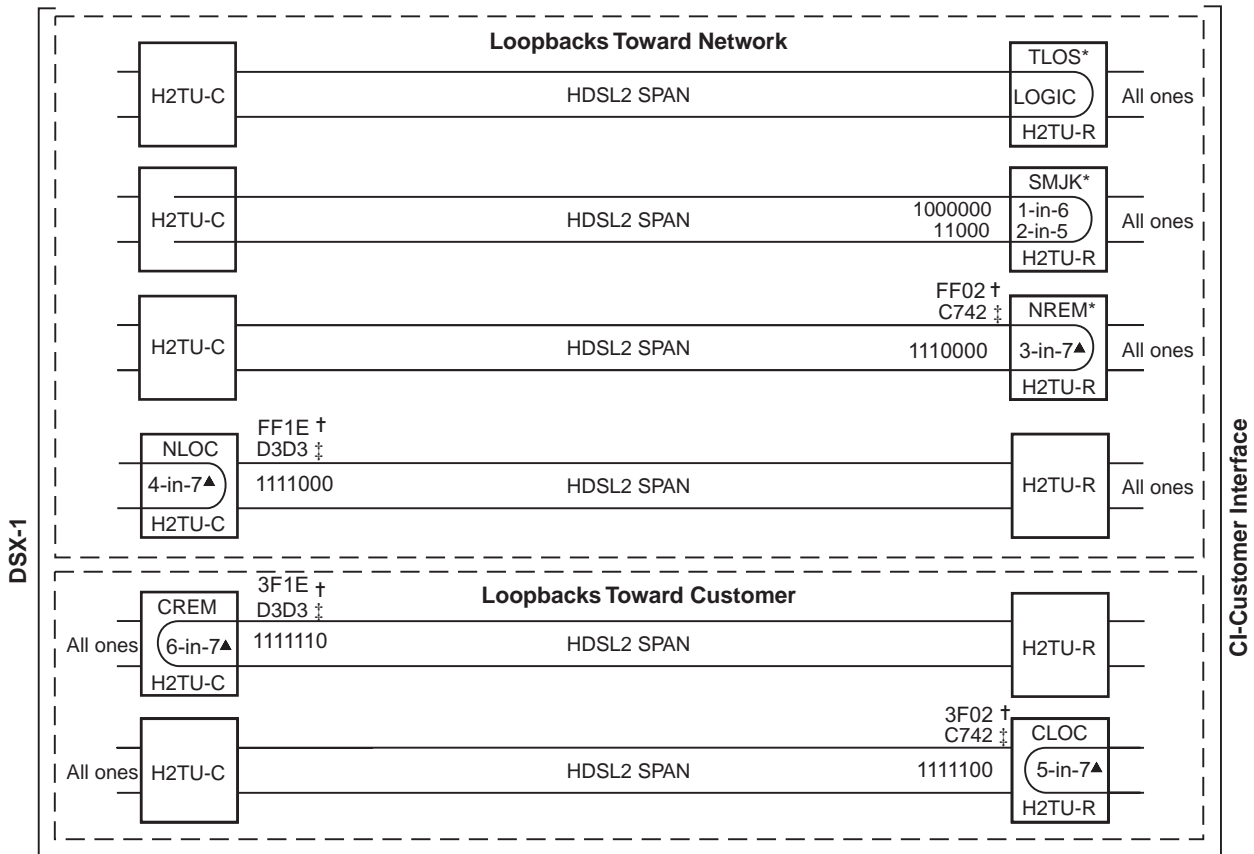
The equalizer settings only apply to the specific DSX-1 port selected by the ADS1 option, MUX or AUX. The unselected port defaults to an equalizer setting of zero.

GNLB Test Procedures

[Figure 32 on page 60](#) is a graphical representation of the various loopback configurations with the associated GNLB commands shown. [Table 22 on page 56](#) for a description of these commands.

To perform the GNLB loopback test procedure:

- 1 Have the CO tester send the NREM (3-in-7) in-band loopup code for 5 seconds. You should be able to observe the NREM message on the front-panel display. The Status LED on the front panel should be green, and the loopback mode should also be identified on the Monitor screen.
- 2 Have the CO tester transmit a DS1 test signal toward the H2TU-C and verify that the returned (looped) signal to the test set is error-free.
- 3 If [Step 2](#) fails, have the CO tester transmit the (3-in-5) in-band loopdown code.
- 4 Have the CO tester send the NLOC (4-in-7) in-band loopup for 5 seconds. You should be able to observe the NLOC message on the front-panel display. The Status LED on the front panel should be yellow, and the loopback mode should also be identified on the Monitor screen.
- 5 Repeat [Step 2](#). If the test passes, the problem is in the downstream direction. If it fails, the problem is in the upstream direction.



* Set the NLBP option to AIS to send AIS (indicated by an all ones pattern) for any network loopback.
 † A3LB and A4LB loopback codes.
 ‡ A2LB loopback code.
 ▲ GNLB loopback codes.

Figure 32. Loopback Modes

A2LB Test Procedures

Using the codes listed in Table 23, a network tester can activate NLOC or NREM loopbacks (or SMJK, if enabled). A tester at the customer premises can activate CLOC or CREM loopbacks. All loopbacks shown in Table 23 can also be initiated from the H2TU-C front-panel MODE and LBK pushbuttons (see “Setting Options through MODE and LBK” on page 10).

Table 23. Addressable Repeater Loopback Commands (A2LB)

Loopback	Binary Code ^(a) (Hexadecimal Equivalent)	Description
ARMING or NI LPBK (in-band)	11000-11000 ...	Arming code
ARMING or NI LPBK (ESF Data Link)	1111-1111-0100-1000 (FF48)	Arming code
IR LPDN or DISARM (in-band)	11100-11100 ...	Disarming code
IR LPDN or DISARM (ESF Data Link)	1111-1111-0010-0100 (FF24)	Disarming code
IOR LPBK (NLOC or CREM) 230-232 bit errors 229-231 bit errors ^(b)	1101-0011-1101-0011 (D3D3)	NLOC—DSX-1 signal is looped back to the network at the H2TU-C. CREM—Signal from customer is looped back to the customer at the H2TU-C.
ILR-2 LPBK (NREM or CLOC) 20 bit errors ^(c)	1100-0111-0100-0010 (C742)	NREM—DSX-1 signal is looped back to the network at the H2TU-R. CLOC—Signal from customer is looped back to the customer at the H2TU-R.
IR LPDN (except SMJK)	1001-0011-1001-0011 (9393)	Loopdown (H2TU-C or H2TU-R)
IR QUERY LPBK	1101-0101-1101-0101 (D5D5)	Query loopback
IR ALTERNATE QUERY LPBK	1101-0101-1110-1010 (D5EA)	Alternate query loopback
TIME-OUT OVERRIDE	1101-0101-1101-0110 (D5D6)	Loopback time-out override
FAR END NI ACTIVATE	1100-0101-0101-0100 (C554)	Unblock AIS
IOR POWER DOWN (H2TU-C) ^(d)	0110-0111-0110-0111 (6767)	Removes HDSL2 line power

(a) The leftmost bit arrives first in all sequences. The detection algorithm functions reliably with a random 10^{-3} Bit Error Rate (BER) on the facility. The entire arming and loopback sequence can also be initiated at the remote H2TU-R location.

(b) The H2TU-R identifies CREM (and the H2TU-C identifies NLOC) with 231 bit errors, excluding the frame bits. When framed data is being sent in the AUTO framing mode, the number of the 231 bit errors detected by the test set varies from 229 to 231, depending on whether or not the test set counts frame errors as bit errors, and on the number of frame bits contained in the block of 231 error bits. The H2TU-R and H2TU-C generate this bit pattern in a series of discontinuous bursts containing 20-bit errors each, excluding frame bits. Those test sets that do not count frame error bits as data bit errors will indicate fewer bits than the H2TU-R and H2TU-C transmit for a CI and NI loopback.

(c) The H2TU-R is assigned the ILR-2 loopback code. It responds with 20 bit errors (excluding the frame bits).

(d) The IOR Power Down code must remain present for the duration of the powerdown mode. When this code is removed, the HiGain system returns to its normal unlooped and unarmed state.

To perform the A2LB test procedures:

- 1 Send the in-band Arming and NI LPBK code 11000 to the H2TU-C for at least 5 seconds.
- 2 Monitor the output of the H2TU-C for the return of the pattern. Return of the pattern indicates one of the following:
 - The H2TU-R has looped up, if the SMJK Loopback option is enabled.
 - An external NID has looped up, if the SMJK Loopback option is disabled, and the H2TU-C and H2TU-R have been armed.
- 3 Verify, if possible, that the H2TU-R Loopback LED is either flashing yellow at 4-second intervals (indicating that the system is armed), or is a steady yellow (indicating that it is both armed and in SMJK loopback). The H2TU-C Status LED also flashes yellow when the system is armed.



If the Arming code is not returned after 5 seconds, the system may be armed, but there is no active loopback.

- 4 Once armed, the H2TU-C can be looped back by sending Intelligent Office Repeater (IOR) LPBK activation code 1101-0011-1101-0011 (D3D3) for at least 5 seconds. You should observe the following activation response pattern:
 - a 2 seconds of AIS (all ones pattern)
 - b 2 seconds of returning data pattern
 - c Logic errors (including the frame bit) occurring in the returned pattern comprising:
 - 231 errors, if IOR LPBK (H2TU-C) was sent
 - 20 errors, if ILR-2 (H2TU-R) was sent
 - d Normal looped data

This error pattern repeats every 20 seconds as long as the IOR loopback pattern is being sent. This also applies to ILR, Time-out Override, and Query commands.



Some Intelligent Repeater (IR) test sets do not count frame errors as bit errors when the test pattern is framed and the H2TU-C is set to the Auto framing mode. To improve compatibility with those test sets, the H2TU-C generates 231 (NLOC and CREM) ID bit errors. As a result, the H2TU-C may indicate one more or one less bit error, depending on the test set type and the number of frame bits contained in the block of errored bits. To avoid this uncertainty, ADC recommends sending unframed IR commands.

The H2TU-C is now in logic loopback if the IOR NLOC loopback command was sent. The Time-Out Override command or a Loopdown command can override the selection made for the loopback time-out (see “[Setting the Loopback Time-Out Option](#)” on page 57). If the Time-Out Override code 1101-0101-1101-0110 (D5D6) is received after activating a loopback, then the automatic timed expiration of the loopback is inhibited. If this Time-Out Override is sent, then the only way to loop the H2TU-C down is to do one of the following:

- Issue the IR (Intelligent Repeater) LPDN (loopdown) code 1001-0011-1001-0011 (9393).
- Issue the NI LPDN and Disarm in-band code 11100 or the ESF DL code (FF24).



The Time-out Override function is only valid for the current active loopback. The automatic time-out timer is restored during subsequent loopback sessions.

5 Once the test is complete, do one of the following:

- If the system is to loopdown but remain Armed, send the IR (Intelligent Repeater) LPDN code for universal loopdown.
- If all the equipment is to be looped down, disarmed and returned to normal operation, send the disarm in-band code 11100 or the ESF DL code (FF24).



The Armed mode has an automatic time-out of 120 minutes, but this timer is reset to 120 for any of the following events:

- **Loopback terminates (manually or time-out)**
- **Query**
- **Alternate query**
- **Far-End activate**
- **Another ARM command**

This timer is inhibited while any of the valid command codes are being sent. Once the codes are removed, the timer restarts at 120.

A3LB and A4LB Test Procedures

The H2TU-C can be looped back by sending the Addressable Office Repeater (AOR) LPBK activation code 1111-1111-0001-1110 (FF1E) for at least 5 seconds. This causes the H2TU-C to enter the NLOC state. The Loopback Time-out setting (see “[Setting the Loopback Time-Out Option](#)” on page 57) determines the duration of this loopback unless it is overridden by the reception of a second identical 16-bit loopup command before the timer expires. When this time-out override state exists, the only way to loop the H2TU-C down is to issue one of the three loopdown commands listed in [Table 25](#). The automatic time-out mode is restored during subsequent loopback sessions.

[Table 24](#) summarizes the codes required to execute Addressable 3 and 4 (A3LB and A4LB) repeater loopback commands that are identified in H2TU-C HDSL2 products. All code sequences must be present for at least 5 seconds. Information specific to HiGain HDSL2 regenerators is shown in bold.

Table 24. Addressable Repeater Loopback Commands (A3LB and A4LB)

Name	Description	Binary Code ^(a) (Hexadecimal Equivalent)
NLOC	H2TU-C loopup from NI	1111-1111-0001-1110 (FF1E)
CREM	H2TU-C loopup from CI	0011-1111-0001-1110 (3F1E)
NREM	H2TU-R loopup from NI	1111-1111-0000-0010 (FF02)
CLOC	H2TU-R loopup from CI	0011-1111-0000-0010 (3F02)

(a) The leftmost bit arrives first in all sequences. The detection algorithm functions reliably with a random 10^{-3} Bit Error Ratio (BER) on the facility. The entire loopback sequence can also be initiated at the remote H2TU-R location.

SmartJack Test Procedure

The HiGain H2TU-R supports the standard SmartJack loopback which can emulate a Network Interface Device (NID) for the purpose of loopback testing of the HiGain HDSL2 circuit. SMJK and NREM loopbacks perform the same functions, but their initiation differs. SMJK indicates that the loopback was initiated by any of the three SmartJack loopup commands listed in [Table 25](#). NREM, on the other hand, is initiated by the 3-in-7 in-band command or by a command issued from the maintenance terminal.

The SmartJack loopback option, LPBK, enables or disables the ability of the H2TU-R to emulate the family of SmartJack loopback commands listed in [Table 25](#).

Table 25. SmartJack Loopup and Loopdown Commands

In-Band 2-in-5 Loopup Code	In-Band 3-in-5 Loopdown Code ^(a)	Out-of-Band ESF-FDL Loopup Codes	Out-of-Band ESF-FDL Loopdown Codes ^(a)	In-Band 1-in-6 Loopup Code	In-Band 1-in-3 Loopdown Code ^(a)
11000	111000	1111-111-0100- 1000	1111-1111-0010-0100	100000	100

(a) These universal loopdown codes can release any and all existing loopup states regardless of loopback direction or method of initiation. The codes are permanently enabled and independent of all loopback option settings, including the LPBK option.

APPENDIX A - SPECIFICATIONS

Power

HDSL2 Span Voltage	0 or -180 \pm 5 Vdc
CO Supply	-48 Vdc nominal (-42.5 Vdc to -56.5 Vdc) See "Power Consumption" and "Maximum Power Dissipation" and "Maximum Current Drain" on page 66.
Electrical Protection	Secondary surge and power cross protection on HDSL2 ports. Requires external primary protection.
Fusing	Internal; connected to "FUSE ALARM" output on pin 10

Environmental

Operating Temperature	-40°F to +149°F (-40°C to +65°C)
Operating Humidity	5% to 95% (non-condensing)

Physical

Height	4.750 in. (12.10 cm)
Width	0.625 in. (1.59 cm)
Depth	10 in. (25.4 cm)
Weight	0.5 lb (.23 kg)
Mounting	3192 mechanics shelf

HDSL2

Line Code	1.552 Mbps OPTIS
Transmission	Full duplex
Media	One non-loaded, copper, two-wire cable pair
Output	+13.8 dBm \pm 0.5 dB at 135 Ω (0-450 kHz) at CO side; +13.5 dBm \pm 0.5 dB at 135 Ω (0-350 kHz) at remote side
Line Impedance	135 Ω
Maximum Provisioning Loss	35 dB at 196 kHz
Start-up Time	30 sec. typical, 1 min. maximum per span

DSX-1

DSX-1 Line Impedance	100 Ω
DSX-1 Pulse Output	6 V ^{pk-pk} pre-equalized for 0-655 feet of ABAM cable
DSX-1 Input Level	+1.5 to -7.5 dB DSX

System

One-way DS1 Delay	<400 μ s per span without regenerators
Wander (Looped)	Meets MTIE T1.101 requirements
Wideband Jitter (Looped)	0.2 UI maximum
Narrowband Jitter (Looped)	0.1 UI maximum

POWER CONSUMPTION

The three most important power parameters of an H2TU-C are its maximum power consumption, maximum power dissipation, and maximum current drain.

Table 26 describes line-powered circuits on 9 kft, 26 AWG loops without a regenerator.

Table 26. H2TU-C-319 List 4E Power Parameters

Remote Power Source	-48 Vdc Power Consumption (Watts)	Heat Dissipation (Watts)	-42.5 Vdc Current (mA)
	Maximum	Maximum	Maximum
Line-powered	12.25	7.25	292.0
Local-powered with Sealing Current	8.7	6.75	207.0

MAXIMUM POWER DISSIPATION

The Maximum Power Dissipation measures the power that is converted into heat that builds up within the unit. It contributes to the total heat generated in the space around the unit. It is used to determine the maximum number of fully loaded shelves per bay that does not exceed the maximum allowable power dissipation density in watts per square foot to comply with GR-63.

In COs, the maximum power dissipation for open-faced, natural convection-cooled mountings is limited to 134.7 watts per square foot per GR-63-CORE. The footprint of a standard 28-slot, 23-inch HMS-317 shelf is 7.024 square feet. Therefore, the maximum bay dissipation is limited to 946 watts. Use this limit and the parameters in Table 26 to determine the maximum number of H2TU-C circuits that can occupy one CO bay.



This is a worst case situation since it assumes the entire CO is subjected to the maximum power density. More favorable conditions would permit increasing the number of shelves per bay without jeopardizing the CO thermal integrity.

The thermal loading limitations imposed when using the H2TU-C in a Controlled Environmental Vault (CEV) or other enclosures are determined by applying its power parameters to the manufacturer's requirements for each specific housing.

The -48 Vdc Power Consumption is the maximum total power that the H2TU-C consumes or draws from the shelf power source. This parameter is needed when the H2TU-C is in a location remote to the CO it is serving. It determines the battery capacity required to maintain an 8-hour, standby battery reserve for emergency situations. Battery capacity, therefore, limits the maximum number of line units which can be installed in a remote enclosure. Use the data in Table 26 above to perform this analysis.

MAXIMUM CURRENT DRAIN

The Maximum Current Drain is the maximum current drawn from the shelf power supply when it is at its minimum voltage (-42.5 Vdc). This determines the shelf fusing requirements. Use the -42.5 Vdc current data in Table 26 above to determine the shelf fusing requirements for your particular H2TU-C applications.

LOOP ATTENUATION, INSERTION LOSS, AND REACH

Each loop has no more than 35 dB of loss at 196 kHz, with driving and terminating impedances of 135Ω , as shown in Table 27 below. This is equivalent to no more than 28 dB loop attenuation.

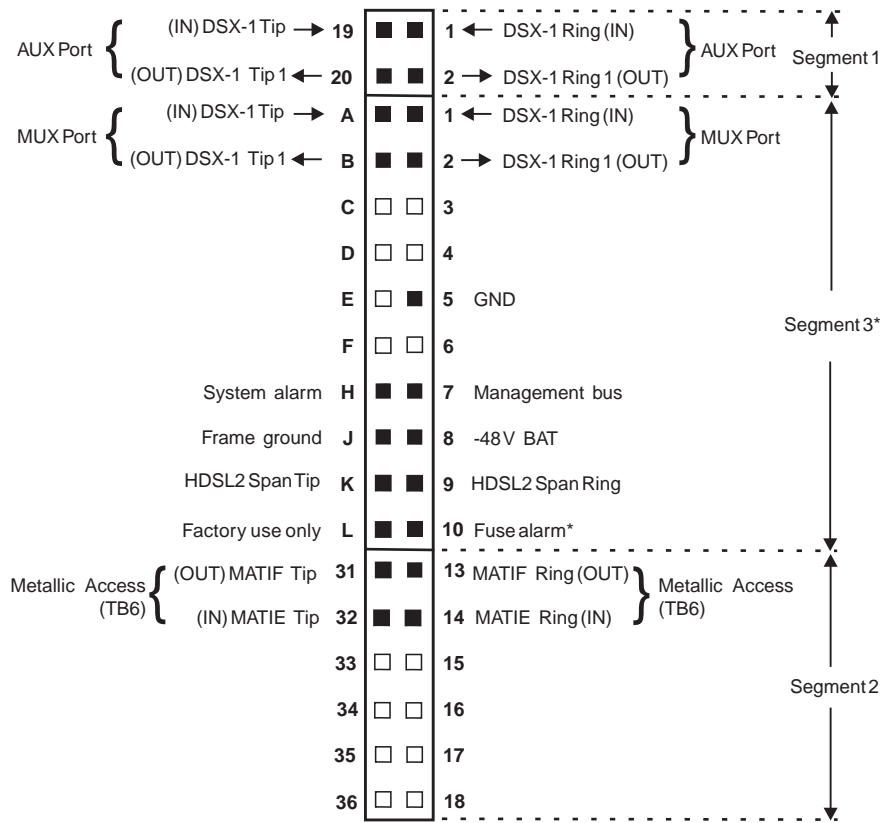
Table 27. HDSL2 Reach Chart

Cable Gauge	Insertion Loss ^(a) at 196 kHz (dB/kft)	Loop Attenuation (dB/kft)	Maximum Reach (kft)	Ω per kft
26/0.4 mm	3.88	3.1	9	83
24/0.51 mm	2.84	2.2	12	52
22/0.61 mm	2.18	1.7	16	32
19/0.91 mm	1.54	1.2	23	16

(a) Insertion Loss = 1.25 times loop attenuation

H2TU-C-319 LIST 4E CARD-EDGE CONNECTOR

Figure 33 shows the pin assignments of the card-edge connector on the H2TU-C-319 List 4E card. The function of its segments (S1, S2, and S3) are described beginning with “Test Access” on page 28. Note that only the set of Standard 3192 alphanumeric connector pins to Segment 3 (A through L and 1 through 10) are labeled on the backplane of the HMS-358 shelf. The outer set of pin numbers are for reference only and do not appear on the backplane. The AUX DSX-1 Segment 1 port can be accessed either by its wire wrapped pins or from mass connector P11 (TX) and P10 (RX) on the HMS-358 backplane.



* Fuse alarm is normally floating and at -48 Vdc when activated.

** Segment 3 (A - L and 1 - 10) are from standard 3192 alphanumeric connector pins as reflected on the labels on the backplane of the HMS-358 shelf.

Figure 33. H2TU-C-319 List 4E Card-Edge Connector

Figure 34 shows the generic labeling of the connector as it appears on the backplane with HMS-358 shelf. Note that the H2TU-C has no connections to Loop B of Group 1. The HMS-358 technical practice refers to Group 1 and Group 2 as Port 1 and Port 2, respectively.

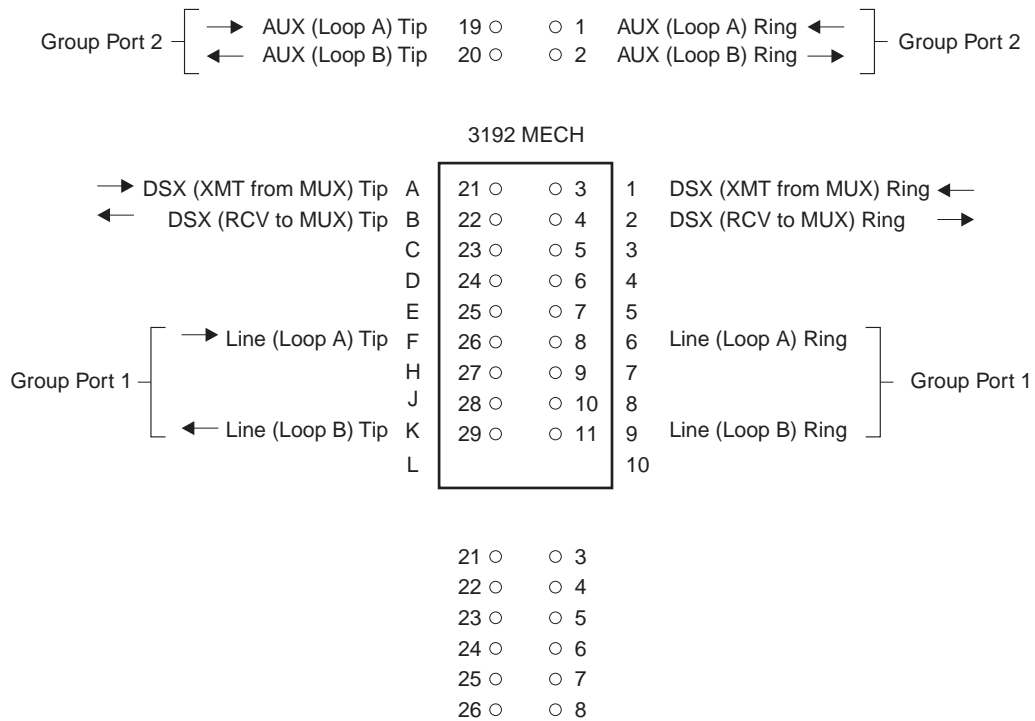


Figure 34. HMS-358 Backplane H2TU-C-319 List 4E Card Edge Connector Labeling

Network Management Control Bus

The H2TU-C provides a Network Management Control Bus on pin 7 of the card-edge connector. This allows the various ADC Management System protocols to manage the H2TU-C through the HMU-319 HiGain Management Unit. Whenever the H2TU-C is under management, the MNGD message displays periodically on the front-panel display.



Some H2TU-C features are affected when it is under management. Consult the management unit practice for further information.

Fuse Alarm

Pin 10 on the card-edge connector is a Fuse Alarm that is driven to -48 Vdc through a diode whenever its onboard fuse opens. It emulates the function of the Fuse Alarm output from pin 10 on normal, high density (HD) repeaters. pin 10 is connected to pin 5 of the 1184 Alarm Card (slot 1 in the HD shelf) and causes the 1184 Fuse ALM LED to light when the pin 10 signal is activated. Its normally floating output must never be driven above ground or below -80 Vdc. It can sink a current of 10 mA. The H2TU-C does not support the BPV function (pin E) of normal HD repeaters.

System Alarm Output Pin

Pin H on the card-edge connector, shown in [Figure 33](#), is the H2TU-C System Alarm output pin. The following notes apply to pin H:

- Pin H replaces the Local Loss of Signal (LLOS) on normal high-density (3192) repeaters.
- The normally floating output of pin H can connect to pin 1 of the 1184 or 3192-9F Alarm Card in position 29 of the high density (HD) shelf.
- The H2TU-C forces pin H to +5 Vdc (maximum of 10 mA) for a system alarm condition. Pin H then remains at +5 Vdc for the duration of the alarm condition.
- If the Wescom 1184 Alarm Card is installed in the shelf, its LOS LED lights for every MNRALM.
- The H2TU-C Status LED flashes red for the duration of a system alarm condition.
- Setting the ALM option to DIS only prevents the system alarm bus on pin H from being activated for a system alarm event. The Status LED still flashes red and the ALRM message still displays.
- “System Alarms” on [page 52](#) describes the system alarms that activate pin H.



Pin H must never be taken above +5 Vdc or below -60 Vdc.

CRAFT PORT

Figure 35 shows the pinout for the craft port connector and its connection to a DB-9 or DB-25 connector on a maintenance terminal.

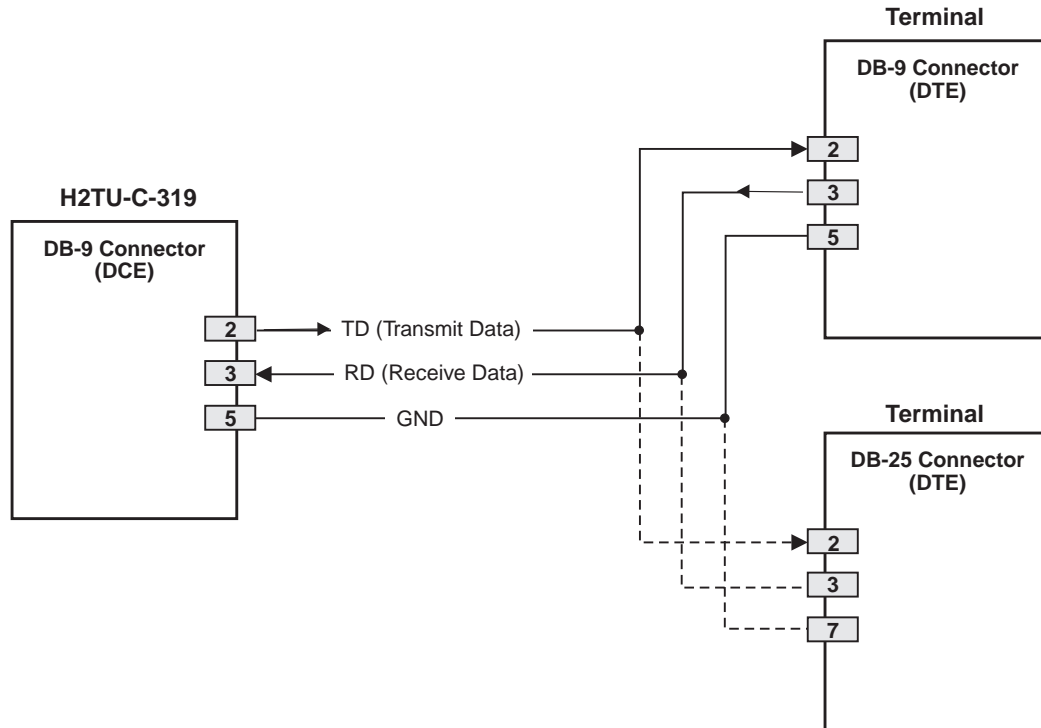


Figure 35. RS-232 Craft Port Pinouts

APPENDIX B - FUNCTIONAL OPERATION

ADC HDSL2 technology provides full-duplex services at standard DS1 rates over copper wires between an H2TU-C and an H2TU-R, which comprise one HiGain HDSL2 system. HiGain HDSL2 systems use ADC Overlapped Pulse Amplitude Modulation (PAM) Transmission with Interlocking Spectra (OPTIS) transceiver systems to establish full-duplex, 1.552 kbps data channels between the H2TU-C and a remotely located H2TU-R.

Figure 36 shows a block diagram of the H2TU-C. The H2TU-C receives a 1.544 Mbps DSX-1 data stream from the DSX-1 digital cross connect interface. The H2TU-C contains a DS1 frame synchronizer controlled by an 8-bit microprocessor that determines the type of framing on the DS1 stream and synchronizes to it. The H2TU-C recognizes Superframe (SF), including D4, or Extended Superframe (ESF) framing.

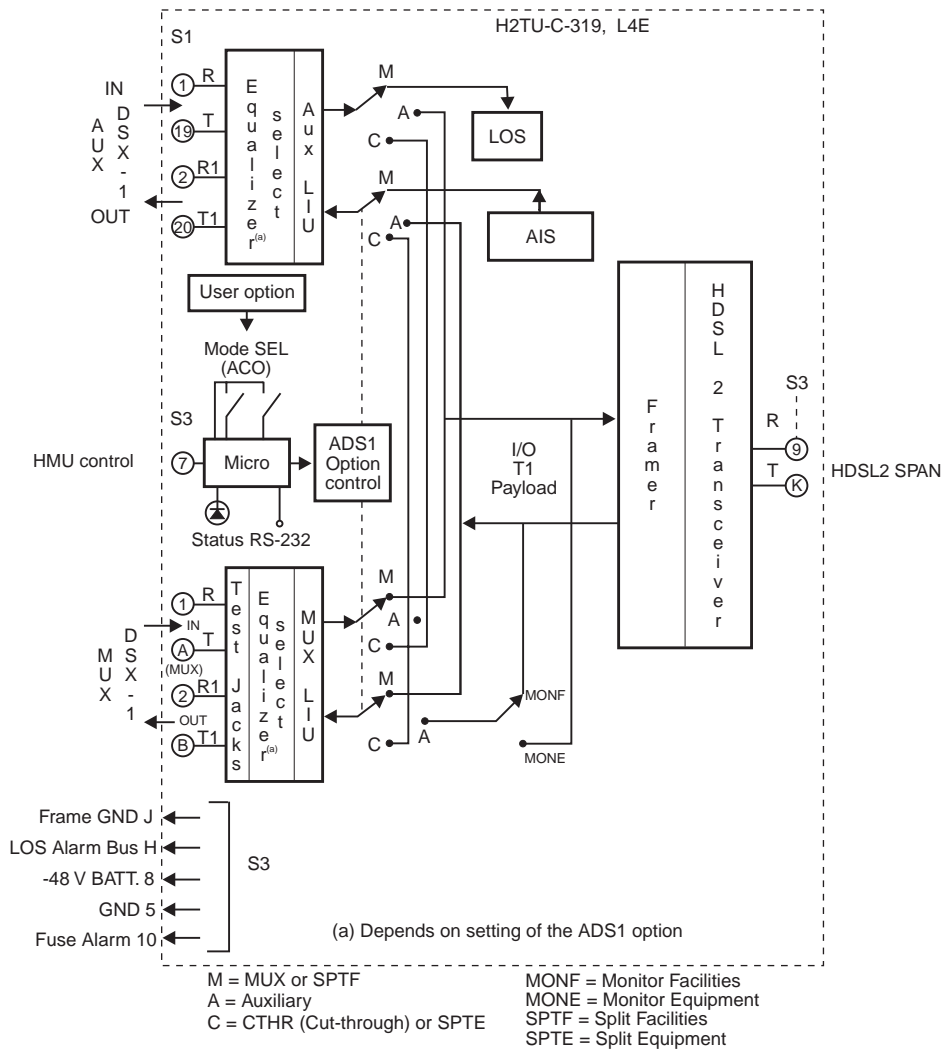


Figure 36. H2TU-C-319 List 4E Block Diagram

TIMING

The low loop wander (0.3 UI max) of an H2TU-C, when used with compatible regenerators and remote units, allows the circuit to be used in all critical timing applications, including those that are used to transport Stratum 1 timing.

GROUND FAULT DETECT

The H2TU-C has a Ground Fault Detect (GFD) circuit which detects a ground or a resistive path to ground on any wire of the HDSL2 loop. This makes the product compliant with the Class A2 requirements of GR-1089.

APPENDIX C - COMPATIBILITY

The HiGain HDSL2 system uses HDSL2 transmission technology as recommended by ANSI committee in compliance with the August 1999 T1-E1.4/99-006R5 HDSL2 standards.

The H2TU-C are designed to mount in the following shelves with 3192 mechanics:

- ADC HMS-317 (28-slot, 23-inch shelf)
- ADC HHS-319 (3-slot, 19-inch horizontal shelf)
- ADC HMS-308 (8-slot remote enclosure)
- Charles Ind. #3192 (28-slot connectorized)
- Charles Ind. #3192-WR (28-slot wire wrap)
- Charles Ind. #343-00 (12- to 14-slot wire wrap)
- Charles Ind. #319-02 (22-slot connectorized)
- Charles Ind. #319-04 (22-slot wire wrap)
- Charles Ind. #340-00 (9-slot to 11-slot wire wrap)
- Larus #1185 (28-slot connectorized)



Charles Ind. 343-00 and 340-00 shelves do not support the H2TU-C System Alarm output on pin H. Also, if slots 1 and 2 of these shelves were wired for the 3408 Fault Locate unit, they must be rewired to accept the H2TU-C.

APPENDIX D - PRODUCT SUPPORT

ADC Customer Service Group provides expert pre-sales and post-sales support and training for all its products.

TECHNICAL SUPPORT

Technical support is available 24 hours a day, 7 days a week by contacting the ADC Technical Assistance Center (TAC) at one of the following numbers:

- Telephone: 800.638.0031
714.730.3222
The 800 line is toll-free in the USA and Canada.
- Fax: 714.730.2400
- Email: wsd_support@adc.com
- Online: www.adc.com/knowledge_base_frames

RETURNS

To return equipment to ADC:

- 1 Locate the purchase order number under which the equipment was purchased. You will need to provide this number to ADC Customer Service to obtain a return authorization.
- 2 Call ADC Customer Service to ask for a Return Material Authorization (RMA) number and instructions before returning products. Use the telephone number, fax number, or email address listed below:
 - Telephone: 800.366.3891 ext. 73748 or 952.917.3748
The 800 line is toll-free in the USA and Canada.
 - Fax: 952.917.3237
 - Email Address: repair&return@adc.com
- 3 Be prepared to provide the following information:
 - Company name, address, telephone number, and the name of a person Customer Service can contact regarding this equipment.
 - A description of the equipment as well as the number of units that you are returning. Be sure to include the model and part number of each unit.
 - The shipping address to which Customer Service should return the repaired equipment.
 - The reason for the return.

APPENDIX E - ABBREVIATIONS

A

ACO: Alarm Cutoff
ACON: Auto Conversion of DS1 frame
ACQ: Acquisition
ADSI: Active DSX-1
AIS: Alarm Indication Signal
ALRM: Alarm Condition
AMI: Alternate Mark Inversion
AUX: Auxiliary
AWG: American Wire Gauge

B

B8ZS: Bipolar with 8-Zero Substitution
BER: Bit Error Rate
BPVT: Bipolar Violation Transparency
BRG: Bridge

C

CLEI: Common Language Equipment Identifier
CLOC: Customer Local Loopback
CO: Central Office
CREM: Customer Remote Loopback
CSA: Carrier Service Area
CTHR: Cut-through

D

DBER: DS1 Bit Error Rate
DDS: Digital Data Service
DLC: Digital Loop Carrier
DSX-1: DS1 Cross-Connect Frame

E

ECI: Equipment Catalog Item
ES: Errored Seconds
ESD: Electrostatic Discharge
ESF: Extended SuperFrame
ES-L: Errored Seconds-Line

ES-P: Errored Seconds-Path

EXZ: The occurrence of 8 consecutive zeroes for B8ZS or 16 for AMI

F

FCON: Framed Conversion of DS1 frame
FERR: Framing Bit Error
FLDL: Flash Download

G

GFD: Ground Fault Detect

H

H2TU-R: HiGain HDSL2 Remote Unit
HBER: HDSL2 Block Error Rate
HCDS: High Capacity Digital Service

I

ID: Identification

L

LA: Loop Attenuation
LAIS: Line Alarm Indication Signal
LATT: Loop Attenuation
LED: Light Emitting Diode
LIU: Line Interface Units
LLOS: Local Loss of Signal
LOS: Loss of Signal
LOSW: Loss of Sync Word
LPF: Line Power Feed
LRAI: Remote Alarm Indicator

M

MAL: Margin Alarm
MONE: Monitor Equipment
MONF: Monitor Facilities
MSEC: Monitored Seconds
MTA: Metallic Test Access

MTAE: Metallic Test Access Equipment

MTAF: Metallic Test Access Facilities

MUX: Multiplexer

N

NLOC: Network Local Loopback

NMA: Network Management and Administration

NPRM: Network PRM

NREM: Network Remote Loopback

O

OPTIS: Overlapped PAM Transmission with Interlocking Spectra

P

PAM: Pulse Amplitude Modulation

PRM: Performance Report Messaging

PRMF: Performance Report Messaging - Far End

PRM-FE: Performance Report Messaging - Far End

PRMN: Performance Report Messaging - Near End

PRM-NE: Performance Report Messaging - Near End

R

RAIS: Remote Alarm Indication Signal

RLOS: Remote Loss of Signal

RRAI: Remote Alarm Indication

S

SES: Severely Errored Seconds

SES-L: Severely Errored Seconds - Line

SES-P: Severely Errored Seconds - Path

SF: SuperFrame

SMJK: SmartJack Loopback

SPNn: Span Number

SPRM: Supplemental PRM

SPTE: Split Equipment

SPTF: Split Facilities

T

TRCI: TX RAI-CI Indication - Customer Installation

TUC: Transmission Unit Central Office

TUR: Transmission Unit Remote End

U

UAS: Unavailable Errored Seconds

UNFR: Unframed

UUT: Unit Under Test

CERTIFICATION AND WARRANTY

FCC CLASS A COMPLIANCE

This equipment has been tested and found to comply with the limits for a Class A digital device, pursuant to Part 15 of the FCC Rules. These limits are designed to provide reasonable protection against harmful interference when the equipment is operated in a commercial environment. This equipment generates, uses, and can radiate radio frequency energy and, if not installed and used in accordance with the instruction manual, may cause harmful interference to radio communications. Operation of this equipment in a residential area is likely to cause harmful interference in which case the user will be required to correct the interference at his own expense.

LIMITED WARRANTY

ADC DSL Systems, Incorporated (“ADC”) warrants that, for a period of sixty (60) months from the date of shipment, the hardware portion of its products will be free of material defects and faulty workmanship under normal use. ADC’s obligation, under this warranty, is limited to replacing or repairing, at ADC’s option, any such hardware product which is returned during the 60-month warranty period per ADC’s instructions and which product is confirmed by ADC not to comply with the foregoing warranty.

ADC warrants that, for a period of 90 days from the date of purchase, the software furnished with its products will operate substantially in accordance with the ADC published specifications and documentation for such software. ADC’s entire liability for software that does not comply with the foregoing warranty and is reported to ADC during the 90-day warranty period is, at ADC’s option, either (a) return of the price paid or (b) repair or replace of the software. ADC also warrants that, for a period of thirty (30) days from the date of purchase, the media on which software is stored will be free from material defects under normal use. ADC will replace defective media at no charge if it is returned to ADC during the 30-day warranty period along with proof of the date of shipment.

The transportation charges for shipment of returned products to ADC will be prepaid by the Buyer. ADC will pay transportation charges for shipment of replacement products to Buyer, unless no trouble is found (NTF), in which case the Buyer will pay transportation charges.

ADC may use reconditioned parts for such repair or replacement. This warranty *does not* apply to any product which has been repaired, worked upon, or altered by persons not authorized by ADC or in ADC’s sole judgment has been subjected to misuse, accident, fire or other casualty, or operation beyond its design range.

Repaired products have a 90-day warranty, or until the end of the original warranty period—whichever period is greater.

ADC DISCLAIMS ALL OTHER WARRANTIES, EITHER EXPRESS OR IMPLIED, INCLUDING BUT NOT LIMITED TO IMPLIED WARRANTIES OF MERCHANTABILITY AND FITNESS FOR A PARTICULAR PURPOSE, WITH RESPECT TO ITS PRODUCTS AND ANY ACCOMPANYING WRITTEN MATERIALS. FURTHER, ADC DOES NOT WARRANT THAT SOFTWARE WILL BE FREE FROM BUGS OR THAT ITS USE WILL BE UNINTERRUPTED OR REGARDING THE USE, OR THE RESULTS OF THE USE, OF THE SOFTWARE IN TERMS OF CORRECTNESS, ACCURACY, RELIABILITY OR OTHERWISE.

MODIFICATIONS

Any changes or modifications made to this device that are not expressly approved by ADC DSL Systems, Inc. voids the user’s warranty. All wiring external to the products should follow the provisions of the current edition of the National Electrical Code.

SAFETY STANDARDS COMPLIANCE

The equipment has been tested and verified to comply with the applicable sections of the following standards:

- GR 63-CORE - Network Equipment-Building System (NEBS) Requirements
- GR 1089-CORE - Electromagnetic Compatibility and Electrical Safety
- Binational standard, UL-1950/CSA-C22.2 No. 950-95: Safety of Information Technology Equipment

For technical assistance, refer to “Appendix D - Product Support” on page 75.

ADC DSL Systems, Inc.

14402 Franklin Avenue
Tustin, CA 92780-7013

Tel: 714.832.9922

Fax: 714.832.9924

Technical Assistance

Tel: 800.638.0031

Tel: 714.730.3222

Fax: 714.730.2400



DOCUMENT: LTPH-UM-1049-02, ISSUE 2



1213496

