

QUICK INSTALLATION



HiGain H4TU-C-231 LIST 5A LINE UNIT

THE H4TU-C-231 LIST 5A

The H4TU-C-231 List 5A line unit is the Central Office (CO) side of a T1 transmission system. The H4TU-C, when used with an H4TU-R remote unit, transmits a 1.544 Mbps payload a maximum distance of 12 kft. over two unconditioned copper pairs. The H4TU-C supports three powered spans to further expand reach.

The H4TU-C-231 List 5A is designed to mount in 220 mechanics shelves.

FEATURES

Front-panel features: craft port for maintenance screen access, seven LEDs for system status reporting, and DSX-1 access jacks

HDSL4 transmission features:

- Doubler (H4D) support for up to three spans
- Grounded loop and loop reversal detection
- Sources sealing current when connected to locally powered H4TU-R-402 remote unit
- Digital Data Service (DDS) latching loopbacks
- Fractional T1 maintenance

Maintenance screens: for inventory, provisioning, performance monitoring, and troubleshooting, including:

- Remote provisioning
 - Loop attenuation and insertion loss reporting
 - Power Back Off feature configures HDSL4 transmit power levels to reduce crosstalk
 - Report menu for downloads of status and performance data
-

SPECIFICATIONS

| | |
|---------------------------------|---|
| Operating Temperature | -40°F to +149°F (-40°C to +65°C) |
| Operating Humidity | 5% to 95% non-condensing |
| HDSL4 Span Voltage | 0, -185 Vdc (Voltage is applied across Loop 1 and Loop 2.) |
| CO Supply | -48 Vdc nominal (-42.5 Vdc to -56.5 Vdc) |
| Mounting | 220 mechanics shelves |
| HDSL4 Line Rate | 784 kbps Overlapped Pulse Amplitude Modulation (OPAM) transmission per pair |
| HDSL4 Output | +14.1 dBm ±0.5 dBm, 135Ω |
| Maximum Insertion Loss | Span 1 = 47 dB at 196 kHz Span 2 and Span 3 = 43 dB at 196 kHz |
| Maximum Loop Attenuation | Span 1 = 31 dB; Span 2 and Span 3 = 29 dB |
| DSX-1 Line Rate | 1.544 Mbps ±200 bps |
| DSX-1 Line Format | Alternate Mark Inversion (AMI) or Bipolar with 8-Zero Substitution (B8ZS) |
| DSX-1 Frame Format | Extended SuperFrame (ESF), SuperFrame (SF), or Unframed (UNFR) |
| DSX-1 Pulse Output | 6 V ^{pk-pk} , pre-equalized for 0 to 655 feet of ABAM cable |
| DSX-1 Input Level | +1.5 dB to -7.5 dB DSX |

1 INSTALLATION

Align the H4TU-C with the shelf card-slot guides and slide the unit in. When the H4TU-C is properly seated, the retaining latch snaps closed.

2 POWER-UP SEQUENCE

When the H4TU-C powers up, the DSL1 and DSL2 LEDs flash red once every second.

- If the H4TU-C is unable to communicate with the H4TU-R, the LEDs display solid red, indicating HBER, MARG, or PWRF alarms.
- If the H4TU-C is able to communicate with the H4TU-R, the LEDs display solid green, indicating that the HDSL4 spans are synchronized without error.

Verify the presence of a DS1 signal by confirming that the ALM LED is off (not lit). If the ALM LED displays red or yellow, a DS1 LOS condition exists. Refer to [Table 2](#) to locate the problem.

Verify error-free DS1 transmission by confirming that the DS1, framing (ESF/SF), and line code (B8ZS/AMI) LEDs display solid colors. Refer to [Table 2](#) to locate the problem if these LEDs are either flashing or display solid red.

3 PROVISIONING

Perform these basic provisioning tasks:

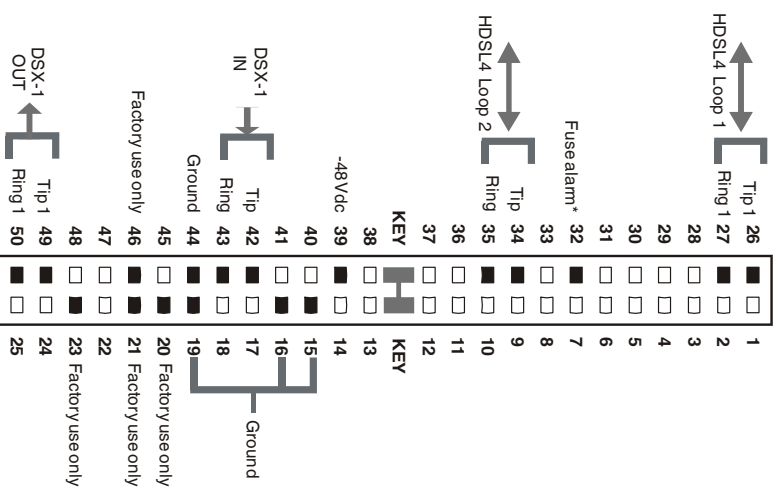
- 1 Connect a maintenance terminal to the craft port (see front-panel illustration inside) and log on. (If logging on through the management unit, the default password is **public**.) Press **CTRL** + **R** to refresh the logon screen, if necessary.
Refer to the onscreen Help menu for navigational aids or use the **SPACEBAR** (to cycle through selections), **ENTER** (to activate the current setting, choice, or to display a menu), **ESC** or **F11** (to return to the parent menu), or directional arrow keys (to navigate to a menu or item).
- 2 Select the Config menu, **Date and Time**, then type the date and time.
- 3 Select the Inventory menu, then type the unit ID numbers.
- 4 Change the settings of any system parameters, if necessary, by selecting **Config**, then **Standard Options** or **ADC Options**. (See [Table 3](#) and [Table 4](#) inside.)

Once the H4TU-C is successfully installed and provisioned, access the Performance or Event Log menus to clear the Performance, Alarm History, or Event Log screens, or use Master Clear in the Config menu.

Continued

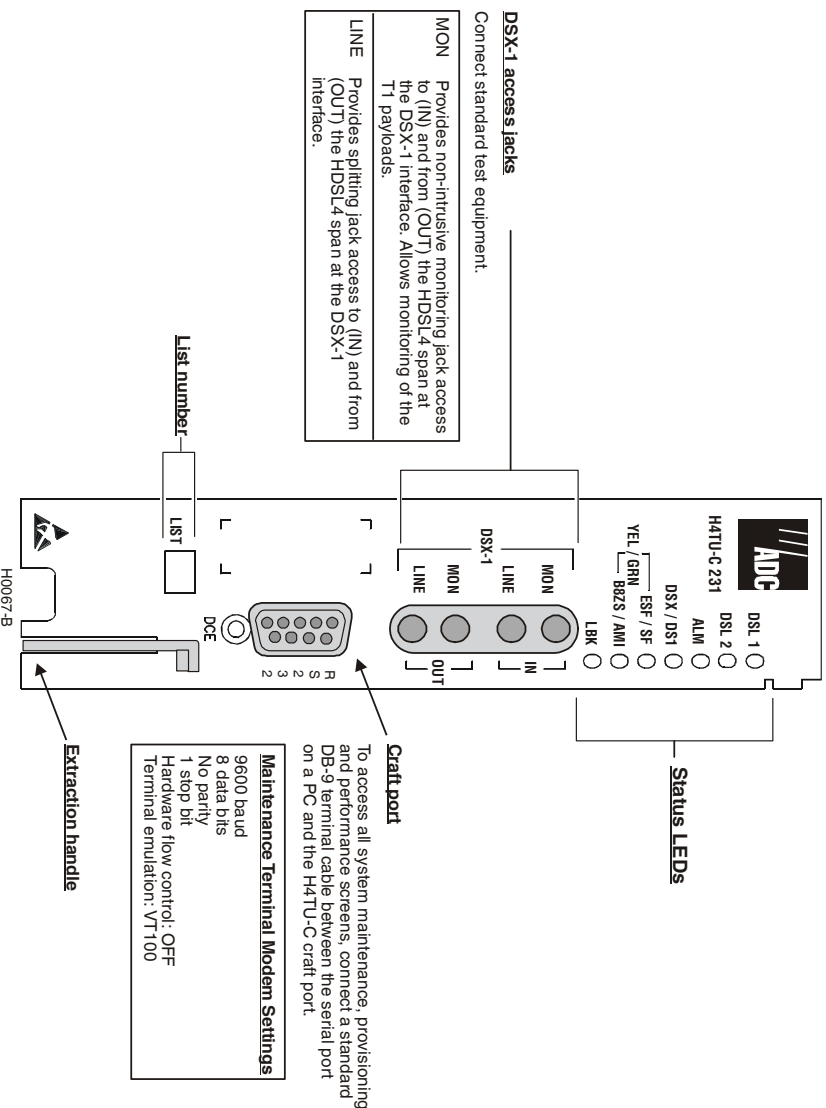


Card-Edge Connector



* Fuse alarm is normally floating and at -48 Vdc when activated.

Front Panel



4 LOOPBACK TESTING

Initiate loopback testing from the maintenance menus. The inband codes shown below can be sent by a test set.

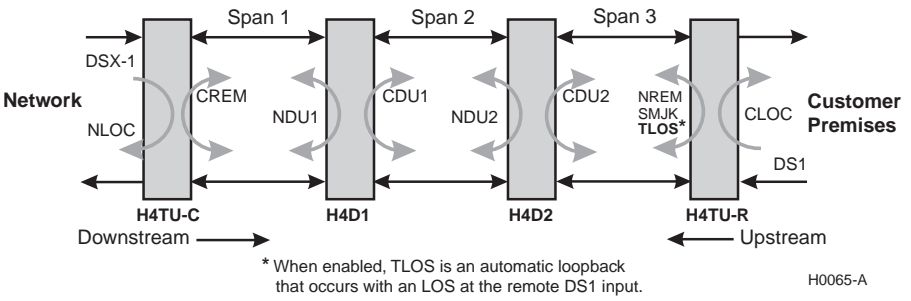


Table 1. Loopback Commands

| Loopback | Inband Code | Description |
|----------|-------------|--|
| NLOC | 1111000 | DSX-1 signal is looped back to the network at the H4TU-C. |
| NREM | 1110000 | DSX-1 signal is looped back to the network at the H4TU-R. |
| NDU1 | 110000 | Signal is looped back to the network at H4D1. |
| CDU1 | 111100 | DS1 signal from customer is looped back to the customer at H4D1. |
| NDU2 | 111000 | Signal is looped back to the network at H4D2. |
| CDU2 | 111110 | DS1 signal from customer is looped back to the customer at H4D2. |
| CLOC | 1111100 | DS1 signal from customer is looped back to the customer at the H4TU-R. |
| CREM | 1111110 | DS1 signal from customer is looped back to the customer at the H4TU-C. |
| SMJK | 11000 | DSX-1 signal is looped back to the network at the H4TU-R SmartJack module. |
| Loopdown | 11100 | Deactivates any of the above loopbacks. |

Table 2. LED Status and Functions

| LED and Status | Function | |
|-----------------|-----------------------------------|--|
| DSL1 | Solid green | Loop 1 of the HDSL4 span connected to H4TU-C has synchronized without error. |
| | Flashing red once every second | Loop 1 of the HDSL4 span connected to H4TU-C is in acquisition. |
| | Solid red | Loop 1 of the HDSL4 span connected to H4TU-C has detected HBER, MARG alarm, or any PWRP alarms. |
| DSL2 | Solid green | Loop 2 of the HDSL4 span connected to H4TU-C has synchronized without error. |
| | Flashing red once every second | Loop 2 of the HDSL4 span connected to H4TU-C is in acquisition. |
| | Solid red | Loop 2 of the HDSL4 span connected to H4TU-C has detected HBER, MARG alarm, or any PWRP alarms. |
| DSX/DS1 | Solid green | DSX-1 signal at the H4TU-C is error-free. |
| | Solid red | LLOS, BPV, frame error, or CRC is detected at H4TU-C. (LED updates once every second when error occurs.) |
| ALM | OFF | DS1 signal is present at both the H4TU-R and H4TU-C. |
| | Solid yellow | RLOS is present at the H4TU-R. |
| | Solid red | LLOS is present at the H4TU-C. |
| ESF/SF | OFF | Unframed DSX-1 is present at the H4TU-C or no DSX-1 is detected at the H4TU-C. |
| | Solid yellow | ESF frame formatting is present at the H4TU-C. |
| | Flashing yellow once every second | ESF frame formatting and frame error/CRC are present at the H4TU-C. |
| | Solid green | SF frame formatting is present at the H4TU-C. |
| B8ZS/AMI | Flashing green once every second | SF frame formatting and frame error are present at the H4TU-C. |
| | OFF | No DSX-1 signal is present at the H4TU-C. |
| | Solid yellow | B8ZS is provisioned at the H4TU-C. |
| | Flashing yellow once every second | B8ZS and excess zeros string are present at the H4TU-C. |
| LBK | Solid green | AMI is provisioned at the H4TU-C. |
| | Flashing green once every second | AMI and BPV are present at the H4TU-C. |
| | OFF | H4TU-C is not ARMED or in loopback. |
| | Solid yellow | H4TU-C is in either NLOC or CREM (RLB). |
| | Flashing yellow once every second | System is ARMED. |

Table 3. Maintenance Terminal Config Menu—Standard Options^(a)

| Standard Option | Function |
|-----------------------------------|---|
| Loopback Timeout (LBTO) | Sets automatic cancellation of all loopbacks to NONE, 20 min, 60 min, 120 min , 8 hr, or 24 hr after activation. |
| Loop Attenuation Threshold (LATT) | Determines the maximum loop attenuation (0 to 50 dB) before an alarm is declared. Zero disables the alarm. Default setting is 42 dB . |
| Margin Threshold (MARG) | Determines the minimum allowable margin (0 to 15 dB) below which a system alarm can occur. Zero disables the alarm. Default setting is 4 dB . |
| DS1 Frame Formatting (FRMG) | AUTO = system searches DS1 transmission for SF or ESF frame pattern. SF = sets system for SF frame formatting. ESF = sets system for ESF frame formatting. UNFR = system functions as a transparent bit pipe. |
| DS1 Line Coding (DS1) | B8ZS = sets system for B8ZS line code. AMI = sets system for AMI line code. |
| H4TU-C Equalization (EQL) | Sets the DSX-1 equalizer to: EXT (external), 0 (0 to 132 ft.), 133 (133 to 265 ft.), 266 (266 to 398 ft.), 399 (399 to 532 ft.), or 533 (533 to 655 ft.). |
| H4TU-R Line Buildout (RLBO) | Sets the DS1 receive level output toward the Customer Interface to 0 dB, -7.5 dB , or -15.0 dB. |
| Alarm Pattern (ALMP) | Enables an AIS or LOS output at the DS1 ports for LOSW or LOS DS1. |
| H4TU-R TLOS Loopback (TLOS) | Enables (ENA) or disables (DIS) a TLOS loopback at H4TU-R for LOS at its DS1 input (if enabled at the H4TU-R). |
| Network Loopback Pattern (NLBP) | Enables the H4TU-R to transmit an AIS or LOS towards CI for any network loopback. |
| Power Back Off Network (PBOB) | The power output levels of the H4TU-C network unit toward the customer. Default (DEF) or enhanced (ENH). |
| Power Back Off Customer (PBOC) | The power output levels of the H4TU-R customer unit toward the network. Default (DEF) or enhanced (ENH). |

(a) Default settings are in bold.

Table 4. Maintenance Terminal Config Menu—ADC Options^(a)

| ADC Option | Function |
|---------------------------------------|---|
| Line Power Feed (PWRP) | Enables (ON) or disables (OFF) HDSL4 line power. |
| Remote Provisioning (RTPV) | Enables (ENA) or disables (DIS) remote provisioning. |
| Bipolar Violation Transparency (BPVT) | Enables (ENA) or disables (DIS) Bipolar Violation Transparency. |
| DS1 BER (DBER) | Enables (ENA) or disables (DIS) 24-hour DSX-1 BER alarm threshold. |
| HDSL4 BER Threshold (HBER) | Sets HDSL4 BER alarm threshold at 1E-6, 1E-7 or disables (DIS). |
| SmartJack Loopback (LPBK) | Enables (ENA) or disables (DIS) SmartJack (SMJK) loopback commands. |
| Remote Disconnect Alarm (RDA) | Enables (ENA) a remote DS1 LOS condition at the input to the H4TU-R to generate an LOS alarm. AIS or LOS (depending on ALMP) is sent towards the network. Prevents or disables (DIS) a remote DS1 LOS condition at the input to the H4TU-R from causing an LOS alarm. The front-panel Status LED still flashes red and the ALRM RLOS message is displayed, but the alarm relay contacts do not close and LOS is sent towards the network from the H4TU-C instead of AIS. |

(a) Default settings are in bold.



Copies of this publication or the user manual (LTPH-UM-1253-xx) can be downloaded from the ADC website at www.adc.com. To order a hard copy, please contact your sales representative.

FCC Class A Compliance

This equipment has been tested and found to comply with the limits for a Class A digital device, pursuant to Part 15 of the FCC Rules. These limits are designed to provide reasonable protection against harmful interference when the equipment is operated in a commercial environment. This equipment generates, uses, and can radiate radio frequency energy and, if not installed and used in accordance with the instruction manual, may cause harmful interference to radio communications. Operation of this equipment in a residential area is likely to cause harmful interference in which case the user will be required to correct the interference at his own expense.

Limited Warranty

Product warranty is determined by your service agreement. Contact your sales representative or Customer Service for details.

Modifications

Any changes or modifications made to this device that are not expressly approved by ADC DSL Systems, Inc. voids the user's warranty.

All wiring external to the products should follow the provisions of the current edition of the National Electrical Code.

Standards Compliance

This equipment has been tested and verified to comply with the applicable sections of the following safety standards:

- GR 63-CORE - Network Equipment-Building System (NEBS) Requirements
- GR 1089-CORE - Electromagnetic Compatibility and Electrical Safety
- Binational standard, UL-60950/CSA C22.2 No. 60950-00: Safety of Information Technology Equipment.

Trademark Information

ADC is a registered trademark of ADC Telecommunications, Inc. Other product names mentioned in this installation guide are used for identification purposes only and may be trademarks or registered trademarks of their respective companies.

Copyright Information

© 2003 ADC DSL Systems, Inc. All rights reserved. Information contained in this document is company private to ADC DSL Systems, Inc., and shall not be modified, used, copied, reproduced or disclosed in whole or in part without the written consent of ADC.

World Headquarters

ADC Telecommunications, inc
PO Box 1101
Minneapolis, MN 55440-1101 USA

For Technical Assistance

Tel: 800.366.3891

Product Catalog: H4TU-C-231-L5A

CLEI: VACKMFKA

Document: LTPH-QI-1250-01, Release 1



1267590

October 15, 2003