

Addendum to Wideband System 3190 Installation Guide

DS3 and DSX-1 Configurations for HMS-357 List 1 and List 2

Figures 1 and 2 show a standard DS3 (network side) to HDSL (field side) operation. This is the factory default configuration. There is no need to remove the rear cover for the factory default configuration.

Factory Default Configuration

Network side DS3 IN (J8) and DS3 OUT (J10)
 Field side HDSL Loop 1 (J3) and HDSL Loop 2 (J4)

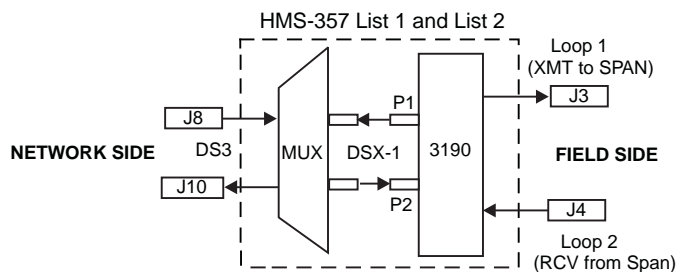


Figure 1. DS3 to HDSL Distribution Schematic

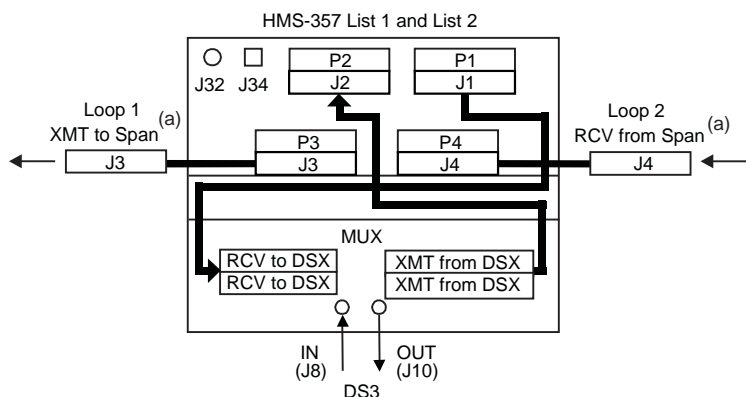


Figure 2. DS3 to HDSL Distribution Configuration (HMS-357 Back Panel View)

^(a) PairGain offers an optional 50-foot, 32-pair shielded cable (P/N 150-2218-01) that can be connected between the HMS-357 and the network and field cross-connects.

PairGain Technologies, Inc.

HiGain Wideband System 3190
 HMS-357 List 1 and List 2
 Part Number: 150-2205-01 and 150-2205-02
 CLEI Code: T3M1FH0 and T3M1GH0
 Section Number: 180-357-200-01
 July 30, 1999

Corporate Office

14402 Franklin Avenue
 Tustin, CA 92780
 Tel: (714) 832-9922
 Fax: (714) 832-9924

For Technical Assistance:

(800) 638-0031



© 1999 PairGain Technologies, Inc.
 PairGain and HiGain are registered trademarks of PairGain Technologies, Inc.

PAIRGAIN

Independent DS3 and T1 Distribution

Figures 3 and 4 show a DSX-1 (network side) to HDSL (field side) with an optional DS3 (network side) to DSX-1 (user application) configuration. To configure the HMS-357 Lists 1 and 2 for independent DS3 and T1 distribution, remove the back cover.

For DSX-1 to HDSL Span Configuration:

- 1 Remove the six 6-32 PH screws, and then remove the back panel.
- 2 Disconnect the two 32-pair cables marked RCV TO DSX (lower left of unit) and XMT TO DSX (lower right of unit) from the MUX.
- 3 Route the cables to the openings on the sides of the unit (also used by J3 and J4), using the label on each connector to identify and connect the correct DSX-1 XMT and RCV function.

For DSX-1 to HDSL Span with DS3 to DSX-1 (user interface) option:

- 4 For optional user applications, connect a shielded male cable to the MUX connectors shown in Figure 4. The 32-pair female connector for the MUX on the lower right becomes the XMT connection; the connector on the lower left becomes the RCV connection.
- 5 Replace the cover when all configuration steps are completed.

Note: For your convenience, all configuration graphics shown in this addendum appear on the back panel cover of the HMS-357 List 1 and List 2.

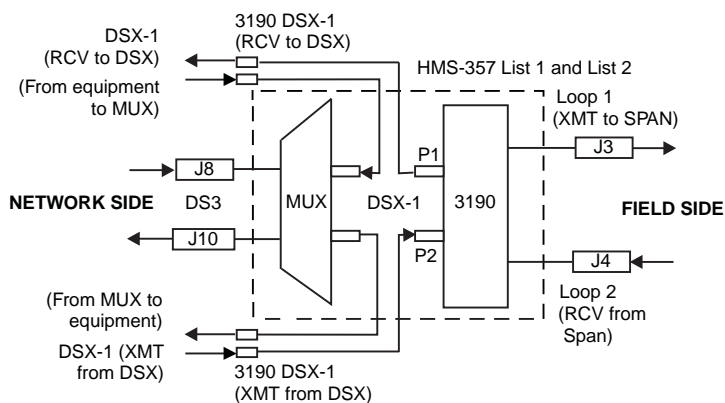
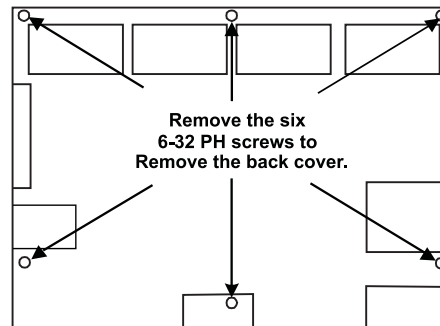


Figure 3. DSX-1 to HDSL and DS3 to DSX-1 Schematic

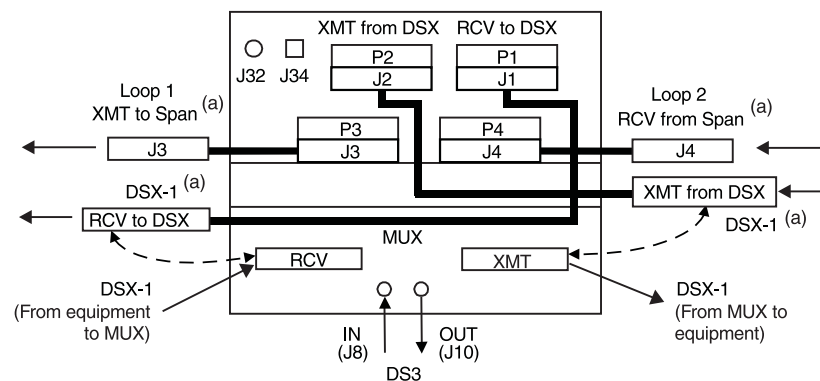


Figure 4. DSX-1 to HDSL and DS3 to DSX-1 Distribution Configuration (HMS-357 Back Panel View)

^(a) PairGain offers an optional 50-foot, 32-pair shielded cable (P/N 150-2218-01) that can be connected between the HMS-357 and the network and field cross-connects.