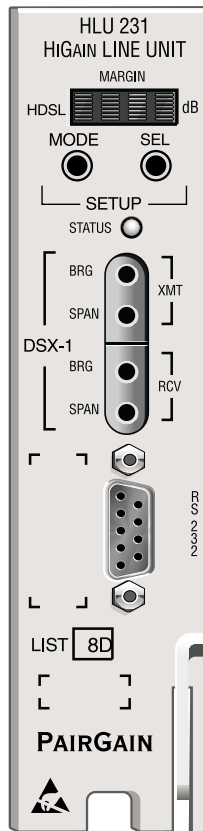


---

# HiGAIN LINE UNIT

Model	List Number	Part Number	CLEI Code
HLU-231	8D	150-1111-84	T1L2BZ0A



**PAIRGAIN TECHNOLOGIES, INC.**  
**ENGINEERING SERVICES TECHNICAL PRACTICE**  
**150-231-184-05**

---

**PAIRGAIN**

---

## Revision History of This Practice

Revision	Release Date	Revisions Made
01	October 3, 1997	Initial release
02	June 10, 1998	Modified alarm diagnostics, miscellaneous edits
03	April 22, 1999	New diagnostic messages added
04	June 22, 1999	Firmware enhancements, addition of troubleshooting screens
05	October 25, 1999	Removed SPLB provisioning option, changed LNCD default to B8ZS, and added two troubleshooting screens. Changed CLEI code from T1L2BZ0AAB to T1L2BZ0AAC.

---

### © Copyright 1999 PairGain Technologies, Inc.




*PairGain and HiGain are registered trademarks of PairGain Technologies, Inc. All other product names mentioned in this practice are used for identification purposes only and may be trademarks or registered trademarks of their respective companies.*

*Information contained in this document is company private to PairGain Technologies, Inc., and shall not be modified, used, copied, reproduced or disclosed in whole or in part without the written consent of PairGain.*

*Information furnished by PairGain Technologies is believed to be accurate and reliable. However, no responsibility is assumed by PairGain Technologies for its use, nor for any infringement of patents or other rights of third parties which may result from its use. No license is granted by implication or otherwise under any patent or patent rights of PairGain Technologies. PairGain Technologies reserves the right to change specifications at any time without notice.*

## USING THIS TECHNICAL PRACTICE

The following conventions are used in this manual:

- Monospace type indicates screen text, including text you type at a screen prompt.
- Keys you press are indicated by small icons such as . Key combinations to be pressed simultaneously are indicated with a plus sign as follows:  + .
- Three types of messages, identified by icons, appear in the text:



**Notes contain information about special circumstances.**



**The caution symbol indicates the possibility of equipment damage or personal injury.**



**The Electrostatic Discharge (ESD) Susceptibility symbol indicates that a device or assembly is susceptible to damage from electrostatic discharge.**

For a list of abbreviations used in this document, refer to “[Appendix E - Glossary](#)” on page 62.

## DOCUMENTATION

If you have comments on this PairGain document, send an email to [technical\\_publications@pairgain.com](mailto:technical_publications@pairgain.com). Type the product name and the section number of the document in the subject area of the email message.

## INSPECTING THE SHIPMENT

Upon receipt of the equipment:

- Unpack each container and visually inspect the contents for signs of damage. If the equipment has been damaged in transit, immediately report the extent of damage to the transportation company and to PairGain. Order replacement equipment, if necessary.
- Check the packing list to ensure complete and accurate shipment of each listed item. If the shipment is short or irregular, contact PairGain as described in the Warranty located inside the back cover. If you must store the equipment for a prolonged period, store the equipment in its original container.



# TABLE OF CONTENTS

<b>Overview</b>	<b>1</b>
Features	1
Product Enhancements	1
Standard Features	2
Compatibility	2
Applications	2
HiGain Doubler Applications	3
Personal Communications System Applications	3
<b>Front Panel</b>	<b>4</b>
<b>Installation</b>	<b>8</b>
Verification	9
Verification without a Downstream Device	9
Verification with a Downstream Device	9
Provisioning Requirements	10
<b>Provisioning</b>	<b>11</b>
Using the MODE and SEL Buttons	11
Setting Options through MODE and SEL	11
Resetting to Factory Default Values	12
Displaying System Parameter Settings	12
Disabling an Alarm	12
Loopback Modes	12
Using a Maintenance Terminal	13
Connecting to a Maintenance Terminal	13
Accessing the Maintenance Terminal Screens	13
Navigation Keys	13
Maintenance Terminal Main Menu	14
Selecting a Maintenance Terminal Function	15
System Spans	15
Using the Maintenance Terminal Screens	15
View Span Status Screen	15
Span Status Screen without Doublers	16
Span Status Screen for Doubler Applications	16
Set Clock Screen	19
Set Time	19
Set Date	19
Update the HRU Date and Time	19

System Settings Screen .....	20
Equalization Option .....	23
BPVT Option .....	23
BER Option .....	23
Margin Alarm Threshold Option .....	24
HDSL Line Voltage Options .....	24
Loopback Mode Screen .....	25
Loopback Menu without Doubler .....	26
Loopback Menu for Doubler Applications .....	26
Initiating a Loopback .....	27
Disabling a Loopback .....	27
View Performance Data Screen .....	28
Performance Data Screen without Doubler .....	29
Performance Data Screen for Doubler Applications .....	29
View Performance History Screen (7-Day and 31-Day) .....	30
Performance History Screen without Doubler .....	30
Performance History Screen for Doubler Applications (7-Day and 31-Day) ....	31
View Alarm History Screen .....	32
Alarm History Screen without Doubler .....	33
Alarm History Screen for Doubler Applications .....	33
System Inventory Screen .....	34
System Inventory Screen without Doubler .....	35
System Inventory Screen for Doubler Applications .....	35
View Troubleshooting Screen .....	36
<b>Troubleshooting</b> .....	<b>40</b>
System Alarms .....	40
Alarm Option for DLC Feed .....	41
Retiring System Alarms .....	41
Self Test .....	41
Loopback Operation .....	41
A5LB Loopback Commands .....	43
Manual Loopback Session .....	43
Setting the Loopback Time-out Option .....	43
Initiating a Manual Loopback Session .....	44
Loopback Test Procedures .....	45
General Troubleshooting Tips .....	45
A5LB Test Procedures .....	46

<b>Appendix A - Specifications</b>	<b>49</b>
HDSL Insertion Loss Guidelines .....	50
Power Consumption .....	50
Power Consumption without Doublers.....	50
Power Consumption with Doublers.....	51
Maximum Power Dissipation.....	53
Maximum Current Drain.....	53
HLU-231 List 8D Card Connector.....	54
Network Management Control Bus .....	54
Fuse Alarm .....	55
System Alarm Relay Output.....	55
Craft Port.....	55
<b>Appendix B - Functional Operation</b>	<b>56</b>
Timing.....	56
Ground Fault Detect.....	57
<b>Appendix C - Compatibility</b>	<b>58</b>
T1 Repeater Shelves and Related Equipment .....	58
HiGain Doubler Circuit Deployment.....	58
<b>Appendix D - Product Support</b>	<b>60</b>
Technical Support .....	60
World Wide Web .....	60
Returns .....	61
<b>Appendix E - Glossary</b>	<b>62</b>
<b>Certification and Warranty</b>	<b>Inside Back Cover</b>

## LIST OF FIGURES

1. HLU-231 List 8D Front Panel .....	4
2. Installing the HLU-231 List 8D into a Shelf .....	8
3. Maintenance Terminal Main Menu .....	14
4. System Spans .....	15
5. Span Status Screen: No Doubler.....	16
6. Span Status Screen: Four Doublers (Span 5).....	16
7. Set Clock Screen.....	19
8. System Settings Screen .....	20
9. Loopback Menu: No Doubler .....	26
10. Loopback Menu: Four Doublers.....	26
11. NLOC Loopback Mode Reported in the Maintenance Terminal Main Menu.....	27
12. Performance Data Screen: No Doubler.....	29
13. Performance Data Screen: Four Doublers (Span 5).....	29
14. 7-Day Performance History Screen: No Doubler .....	30
15. 31-Day Performance History Screen: Four Doublers (Span 5) .....	31
16. Alarm History Screen: No Doubler .....	33
17. Alarm History Screen: Four Doublers (Span 5) .....	33
18. System Inventory Screen: No Doubler .....	35
19. System Inventory Screen: Four Doublers .....	35
20. Troubleshooting Screen for a Doubler Application.....	36
21. Troubleshooting Screen Describing Circuit Problem .....	36
22. Troubleshooting with Help .....	37
23. Troubleshooting with Margin Values .....	38
24. Troubleshooting with Insertion Loss Values .....	38
25. Troubleshooting with Errored Seconds Values .....	39
26. Troubleshooting with Unavailable Seconds Values .....	39
27. Loopback Summary .....	41
28. Loopback Configurations .....	45
29. HLU-231 List 8D Card-edge Connector .....	54
30. RS-232 Craft Port Pinouts .....	55
31. HLU-231 List 8D Block Diagram .....	56



## LIST OF TABLES

1. Front Panel Description.....	5
2. Front Panel Display Messages.....	6
3. Navigational Keys on the Maintenance Terminal.....	13
4. Maintenance Terminal Screens.....	14
5. Span Status Fields and Descriptions.....	17
6. HDSL System Alarms.....	18
7. Loopback Messages.....	18
8. HLU-231 List 8D System Settings.....	21
9. Loopback Field Messages and Descriptions.....	25
10. Errored and Unavailable Seconds Definitions.....	28
11. Alarm History Fields and Descriptions.....	32
12. HDSL System Alarms.....	40
13. Summary of HiGain Loopback Codes.....	42
14. Addressable Repeater Loopback Commands (A5LB).....	46
15. HDSL Loss Over Cables.....	50
16. Power Parameters—No Doubler.....	50
17. Power Parameters—Single Doubler (HDU-451 List 1 or 2).....	51
18. Power Parameters—Single Doubler (HDU-439 or HDU-437 Lists 1 and 1B).....	51
19. Power Parameters—Single Doubler (HDU-409 List 2).....	51
20. Power Parameters—Two Doublers (HDU-451 List 3, 4, 3B or 4B).....	52
21. Power Parameters—Two Doublers (HDU-439 or HDU-437 Lists 1 and 1B).....	52
22. Power Parameters—Two Doublers (HDU-409 List 2).....	52
23. Power Parameters—Three and Four Doublers (HDU-409 List 2).....	52
24. HiGain Doubler Deployment Matrix.....	59



# OVERVIEW

The PairGain® HiGain® Line Unit HLU-231 List 8D is the Central Office (CO) side of a repeaterless T1 transmission system. When used in conjunction with a HiGain Remote Unit (HRU), the system provides 1.544 Mbps transmission on two unconditioned copper pairs over the full Carrier Service Area (CSA) range. The CSA includes loops up to 12,000 feet of 24 AWG or 9,000 feet of 26 AWG wire, including bridged taps. This line unit can be used with HiGain Doubler Units (HDUs) to extend reach.

## FEATURES

### Product Enhancements

- Fast Loss of Sync Word (LOSW) reporting
- Five-span range with four doublers (60 kft, 24 AWG)
- Four line-powered spans (three doublers and one remote)
- Reduced power consumption
- Ultra-low wander (Stratum 1 compliant)
- Low line-power option (-140 Vdc) for circuits with a single doubler
- Selectable Power Feed (PWRF) modes: Auto, High and Low
- Grounded loop detection on High-bit-rate Digital Subscriber Line (HDSL)
- Bipolar Violation Transparency (BPVT) options
- Bit Error Rate (BER) alarm options
- HRU loopback screen
- Inventory and troubleshooting screens
- Loss of Signal/Alarm Indicator Signal (LOS/AIS) payload alarm option
- Remote Loss of Signal (RLOS) disable alarm option
- Supports HRU-411 in PCS applications
- Default setting screen option
- Payload (PL) or HiGain (HG) loopback source identification

## Standard Features

- Selectable DS1 pre-equalizer
- Front panel features:
  - Four-character status display
  - DS1 splitting and bridge access
  - Status Light Emitting Diode (LED)
  - RS-232 craft port for connection to a maintenance terminal
- Compatible with SXSS (Small Cross Section Shelf) shelves, and equivalent
- Selectable loopback activation codes
- Network Management and Administration (NMA) interface
- Lightning and power cross protection on HDSL interfaces
- Full duplex 2B1Q HDSL transmission on two pairs at 784 kbps
- Margin threshold alarm

## COMPATIBILITY

The HLU-231 List 8D is designed to mount in 220 mechanics shelves. For a list of compatible shelves, see [“Appendix C - Compatibility” on page 58](#).

All generations of HiGain HLU and HRU modules are compatible with each other. To take advantage of the enhanced features of newer HiGain doublers, refer to [“HiGain Doubler Circuit Deployment” on page 58](#).

## APPLICATIONS

HiGain systems provide a cost-effective, easy-to-deploy method for delivering T1 High Capacity Digital Service (HCDS) over metallic pairs.

- The service is deployed over two unconditioned, non-loaded copper pairs, yet it demonstrates a quality that is competitive with fiber optics.
- Conventional, in-line T1 repeaters are not required.
- Cable pair conditioning, pair separation and bridged tap removal are not required.

In general, HiGain systems:

- Operate with any number of T1, Plain Old Telephone Service (POTS), Digital Data Service (DDS) or other HiGain systems sharing the same cable binder group.
- Can be used for customers requiring DS1 service on a temporary or permanent basis.
- Provides a means of quickly deploying service in advance of fiber-optic transmission systems.

With a HiGain system, service can be provided within hours. Fiber-optic systems can be installed incrementally and cut-over from the installed HiGain system when convenient to do so.

## HiGain Doubler Applications

For applications without doublers, the HLU-231 is directly connected to the HRU by the two HDSL cable pairs. The HLU-231 List 8D is compatible with all HiGain HRUs.

For doubler applications, one to four doublers can be used in the HDSL loops between the HLU and HRU.

- The HLU-231 List 8D can power three doublers and a remote unit (HRU-402 or HRU-411) for a total of four spans.
- If the HRU is locally powered, the HLU can power up to four doublers for a total of five spans.



**These extended ranges are only available when using the HDU-409, HDU-404 or HDU-407 micro-doublers with the HRU-411 or HRU-402. The HDU-451, HDU-439 and HDU-437 cannot be used in circuits with more than two doublers in any line or local power system. For compatibility guidelines on mixing newer doublers with older HRU and HLU models, refer to “HiGain Doubler Circuit Deployment” on page 58.**

**For additional information about associated HiGain equipment, refer to the respective HiGain technical practice (see “Appendix D - Product Support” on page 60).**

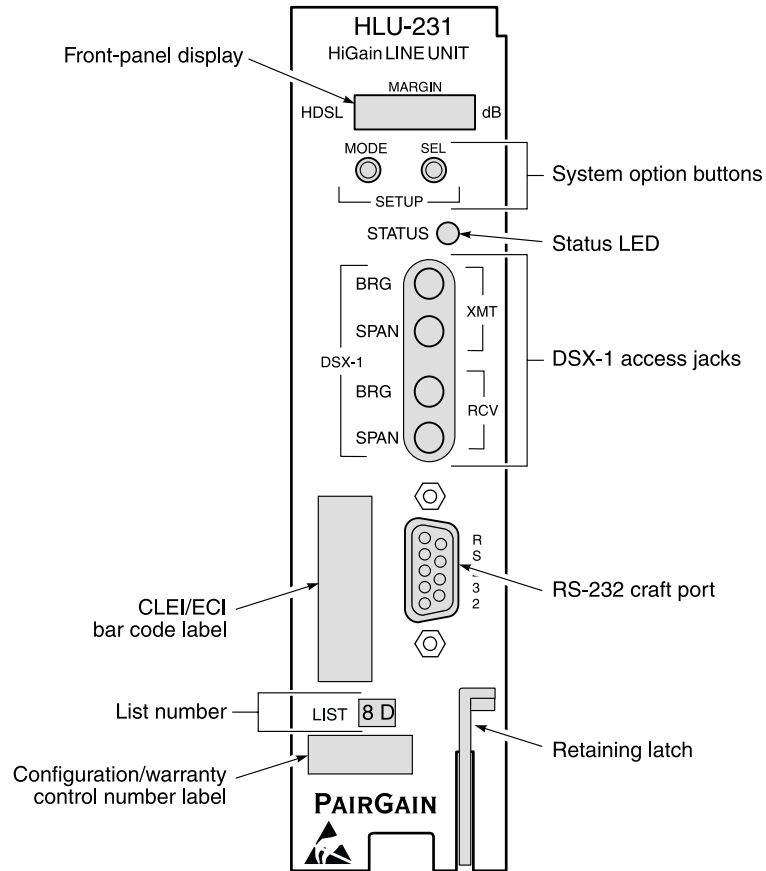
## Personal Communications System Applications

The HLU-231 List 8D is required for PCS applications that use the HRU-411. The HRU-411 has an onboard 130 V, 8.5 W power supply that can power the 200 mW PCS remote radio ports. The HLU recognizes the HRU-411, if the Customer Premises Equipment (CPE) Power switch is set to ON, and performs the following two functions required by the HRU-411 to bring up the National Electric Code (NEC) radio port:

- Increases the HDSL line voltage to its high  $\pm 112$  V level with the PWRF option set to AUTO.
- Enables HRU-411 to turn on its 130 V radio port supply.

# FRONT PANEL

The HLU-231 List 8D front panel is shown in [Figure 1](#). The front panel components are described in [Table 1](#) on page 5. For pinout diagrams of the HLU card-edge connector and the craft port, refer to “[Appendix A - Specifications](#)” on page 49.



*Figure 1. HLU-231 List 8D Front Panel*

**Table 1. Front Panel Description**

<b>Front Panel Feature</b>	<b>Function</b>
Front panel display	Displays four-character status, provisioning, and alarm system messages. The front panel display illuminates when power is initially applied. To conserve power the display only remains on for 4 minutes. Using the MODE or SEL buttons reactivates the display and restarts the 4-minute timer. Refer to <a href="#">Table 2 on page 6</a> for a listing of the four-character messages.
System option buttons (MODE and SEL)	Permits the user options to be monitored and modified without the need of a maintenance terminal. Used to initiate all HiGain loopbacks and to display DSX-1 line parameters and line unit identity.
Status LED	The status LED can report the following conditions:
Green	Normal operation
Flashing green	HDSL acquisition
Red	Fuse Alarm
Flashing red	System alarm
Yellow	Self Test is in process or an HLU-231 List 8D Customer Remote Loopback (CREM) or a Network Local Loopback (NLOC) is in effect.
Flashing yellow	HLU-231 List 8D is in an Armed state.
DSX-1 access jacks	
SPAN	Provides splitting jack access to (XMT) and from (RCV) the HDSL span at the DSX-1 interface. Breaks the XMT and RCV paths to permit test signal insertion and retrieval.
BRG	Provides non-intrusive bridging jack access to (XMT) and from (RCV) the HDSL span at the DSX-1 interface. Allows the two T1 payloads to be monitored.
Craft (RS-232) port	Provides bidirectional communication between the unit and an external terminal to allow configuration and performance monitoring through the Maintenance Terminal screens.
CLEI and ECI bar code label	Provides the human-readable Common Language Equipment Identifier (CLEI) code number and the Equipment Catalog Item (ECI) bar code number.
List number	Identifies the version of the HLU-231.
Retaining latch	Retains the card in the shelf when pulled up and extracts the card from the shelf when pulled down.
Configuration number	Contains either a five- or six-digit warranty configuration number or a stand-alone two- or three-digit configuration number as follows: Digit 1 - Last digit of shipment year Digits 2 and 3 - Shipment month Digits 4, 5, and 6 - Configuration number The configuration number can also be found on a small bar label that contains the Julian date code and part number. This gummed label may be affixed to the PC board or to the front panel.

Table 2 lists the front panel display messages. The four-character displays report the code of an alarm, loopback or diagnostic message, in some cases followed by a second four-character message that modifies the first message with a value or current configuration setting.

**Table 2.** *Front Panel Display Messages*

Message	Full Name	Description
<b>ALARM MESSAGES</b>		
ACO	Alarm CutOff	A system alarm has occurred and has been retired to an ACO condition by pressing the SEL button on the HLU front panel.
ALRM	Alarm Condition	A system alarm condition is in effect.
BER	Bit Error Rate	A system BER alarm is in effect.
LLOS	Local Loss of Signal	Indicates that no signal is detected at the DSX-1 input to the HLU.
LOSW	Loss of Sync Word	Indicates that one of the HDSL loops has lost its synchronization. The Fast LOSW feature is enabled when the Bipolar Violation Transparency (BPVT) option is enabled (see “BPVT Option” on page 23).
MAL1 or MAL2	Margin Alarm Loop 1 or Loop 2	The margin on HDSL Loop 1 (or 2) has dropped below the threshold (1 to 15 dB) as set by the operator.
RLOS	Remote Loss of Signal	Indicates that no signal is detected at the DS1 input to the HRU.
<b>LOOPBACK MESSAGES</b>		
CDU $n$ ?	Customer Doubler $n$ Loopback	Query to initiate loopback at doubler $n$ to CI, where $n$ is the number of the doubler.
CLOC	Customer Local Loopback	Signal from Customer is looped back to the customer at the HRU.
CREM	Customer Remote Loopback	Signal from customer is looped back to the customer at HLU-231.
NDU $n$ ?	Network Doubler $n$ Loopback	Query to initiate loopback at doubler $n$ to network, where $n$ is the number of the doubler.
NLOC	Network Local Loopback	DSX-1 signal is looped back to DSX-1 at HLU.
NREM	Network Remote Loopback	DSX-1 signal is looped back to DSX-1 at the HRU.
SMJK	Remote SmartJack Loopback	Signal from DSX-1 is looped back at the HRU by the HRU SmartJack module.



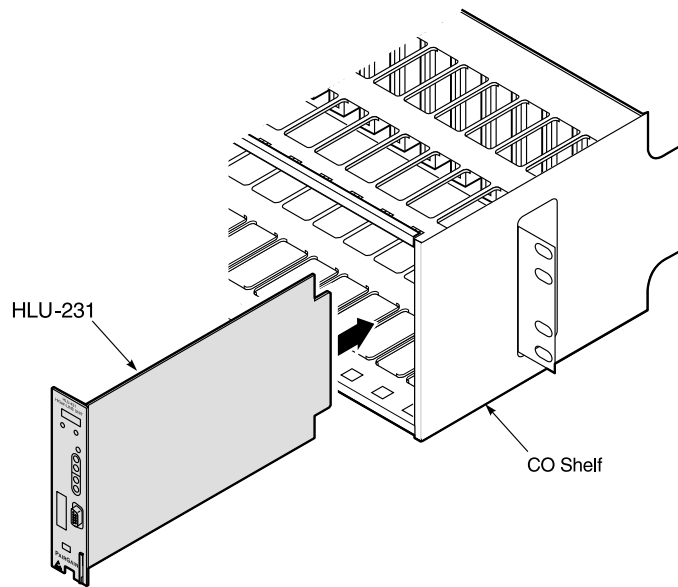
**Table 2. Front Panel Display Messages (Cont.)**

Message	Full Name	Description
<b>DIAGNOSTIC MESSAGES</b>		
1=xx or 2=yy	HDSL Loop Margin 1 or 2	Indicates the power of the received HDSL signal on each loop relative to noise. Any value of 06 or greater is adequate for reliable system operation.
ACQ1 or ACQ2	Acquisition 1 or 2	The multiplexers of the HLU and HRU or first doubler are trying to establish synchronization over Loop 1 or 2 of Span 1.
AnL1 or AnL2	Acquisition n Loop 1 or Loop 2	The multiplexers of the two devices on Span n are trying to establish synchronization with each other on Loop 1 or 2, where n is the number of the span.
ARM	HiGain System Armed	Armed to respond to Intelligent Repeater Loop Codes.
BAD RT?	No response from HRU	The HLU does not receive any response from the HRU. The integrity of the HRU or the two HDSL loops (which may be open) is therefore questionable.
CODE xxxx	Line Code: AMI or B8ZS	Line code can be set to either of the two DS1 line code settings, Alternate Mark Inversion (AMI) or Bipolar with 8-zero Substitution (B8ZS). Displayed during System Settings review mode.
H1ES or H2ES	HDSL CRC Error Channel 1 or Channel 2	HDSL Loop 1 or Loop 2 CRC error.
nHDU	Number of Doublers	This message indicates the number (n) of doublers in the circuit.
INSL, then xxDB	Maximum Insertion Loss	The Maximum Insertion Loss message (INSL) appears followed by xxDB, where xx is the maximum insertion in dB of all spans and loops. See "HDSL Insertion Loss Guidelines" on page 50.
LBPV	Local Bipolar Violation	A bipolar violation has been received at the DSX-1 input to the HLU-231.
LIST xxxx	HLU-231 List Number	The software list number (xxxx) appears during the System Settings review mode. Press the MODE button for 3 seconds to display the list number.
MNGD	Managed	The HLU is under control of the HMU-319 Network Management Unit. In this state, the front panel craft port and pushbuttons are disabled.
PWR GND	Power Feed Ground	One of the HDSL loops has been grounded.
PWR ON	Power Feed On	Indicates that the HDSL loops are not grounded or shorted.
PWR OFF	Power Feed Off	HDSL span power has been turned off by setting the PWRF option to DIS, or HDSL span power has been turned off by use of the A1LB/A2LB/A5LB Intelligent Office Repeater (IOR) Power Down code.
PWRF SHRT	Power Feed Short	Indicates a short between the two HDSL pairs. This same message can occur with an HRU that is drawing the correct amount of power over good cable pairs but cannot communicate with the HLU.
SELF TEST	Self Test	The HLU is in a self-test mode. This occurs every power On/Off cycle.
SIG 1 or SIG2	Signal 1 or Signal 2	The transceivers of the HLU and HRU or first doubler are trying to establish contact with each other on Loop 1 or Loop 2 of Span 1.
SnL1 or SnL2	Signal n Loop 1 or Loop 2	The transceivers of the two devices on Span n are trying to establish contact with each other on Loop 1 or Loop 2, where n is the number of the span.
TLOS	Transmit Loss of Signal	DSX-1 signal is looped back to the DSX-1 interface at the HRU. The HRU is in a logic loopback state caused by a loss of its DS1 input from the CI, if enabled at the HRU by its TLOS switch option.
VER xxxx	HLU-231 Version	The software version number appears during the System Settings review mode. Press the MODE button for 3 seconds to display the software version.

# INSTALLATION



Upon receipt of the equipment, visually inspect the contents for signs of damage. If the equipment has been damaged in transit, immediately report the extent of damage to the transportation company and to PairGain Technologies.



*Figure 2. Installing the HLU-231 List 8D into a Shelf*



**When installing an HLU in a chassis, be sure to wear an antistatic wrist strap. Avoid touching components on the circuit board.**

- 1 Slide the HLU-231 into the card guides for the desired slot, then push the unit back until it touches the backplane card-edge connector and the retaining latch on the front panel opens (Figure 2).
- 2 Place your thumbs on the HLU-231 front panel and push the HLU-231 into the card-edge connector until it is entirely within the card guides and the retaining latch closes. This indicates that the card is properly seated.

## VERIFICATION

Once the HLU-231 is installed, verify that it is operating properly by monitoring the:

- Status LED
- Status messages reported by the front panel display (see [Table 2 on page 6](#)).

### Verification without a Downstream Device

If there is no downstream device installed:

- 1 Verify that the HLU powers up. (The front panel display illuminates and reports four-character status messages. See [Table 2 on page 6](#) for a list of messages.)
- 2 Verify that the HLU attempts to communicate with downstream devices. Even if a downstream device is not present, the following events should occur:
  - a The front panel display reports four-character status messages.
  - b The HLU enters self-test mode (Status LED is yellow).
  - c The HLU again attempts communication with downstream devices, repeating events **a** through **b** until a downstream device is successfully detected.

### Verification with a Downstream Device

If a downstream device has been installed:

- 1 Verify that the HLU powers up. (The front panel display illuminates and reports status messages.)
- 2 Verify that the HLU attempts to communicate with downstream devices (status LED flashes green). One of the following occurs:
  - a If downstream devices are successfully identified and the HDSL loops synchronize, the HLU status LED will be a steady green. The HLU reports normal margin messages on the front panel display.
  - b If downstream devices are not successfully identified, the HLU reports four-character status messages and enters self-test mode. The HLU successively:
    - Enters self-test mode.
    - Completes self-test mode.
    - Attempts communication again.
    - Reports four-character status messages.

The HLU repeats this cycle until a downstream device is detected.

- 3 If there is more than one span, verify that each subsequent span synchronizes normally by monitoring the front panel display messages.
- 4 If a remote unit is installed, verify that the last span synchronizes normally. The HLU status LED should be a steady green, and the front panel display reports normal margin messages.
- 5 Verify that a valid T1 signal has been applied to the HLU and the HRU.
  - a If no T1 signal is being applied to either the HLU or the HRU inputs, then the appropriate T1 alarms (LLOS or RLOS) are displayed on the front panel and the status LED flashes red.
  - b If a valid T1 signal is being supplied to the HLU and HRU, then T1 alarm indications should be absent and the status LED should be a steady green.

## PROVISIONING REQUIREMENTS

Refer to “[Provisioning](#)” on page 11 for information about using the MODE and SEL buttons or the Maintenance Terminal screens to configure the HLU. While the MODE and SEL buttons can be used to manually accomplish some provisioning tasks, such as setting system options, the Maintenance Terminal screens (available when you connect a PC to the craft port) can handle all provisioning tasks. Complete the following tasks:

- 1 Set the time and date (see “[Set Clock Screen](#)” on page 19).
- 2 Set the circuit IDs (see “[System Inventory Screen](#)” on page 34).

Assuming that the HLU has been successfully installed and provisioned, do the following to ensure an accurate Alarm History and Performance History:

- 1 Clear the Span Status, Performance Data, and Performance History screens. This is accomplished by pressing **C** (clear) at the Span Status screen (see “[View Span Status Screen](#)” on page 15).
- 2 Clear the Alarm History screens (see “[View Alarm History Screen](#)” on page 32).

# PROVISIONING

There are two methods for provisioning the HLU-231 List 8D:

- Use the MODE and SEL buttons on the front panel of the HLU to:
  - Set system options
  - Reset the HLU to its factory default settings for system options
  - Display system option settings (scroll mode)
  - Select system loopbacks.
- Use a maintenance terminal (ASCII terminal or a PC running terminal emulation software) connected to the HLU craft port to access the Maintenance Terminal Main Menu (Figure 3 on page 14). This gives you full access to all HLU status, history, inventory, and provisioning screens.



**No dip switches or jumpers are required to provision the HLU-231 as it contains a non-volatile RAM (NVRAM) which stores the system option settings. System option settings are retained if shelf power is lost or if the HLU-231 is unplugged.**

## USING THE MODE AND SEL BUTTONS

### Setting Options through MODE and SEL

To provision the HLU-231 List 8D through the MODE and SEL buttons on the front panel:

- 1 Press the MODE button for 2 seconds and then release it. The front panel display alternately shows the first system parameter and its current setting.
- 2 Press the SEL button to step the display through all possible settings of the selected parameter.
- 3 After the desired setting has been selected, press the MODE button. This updates the currently displayed parameter to the selected setting, and then advances to the next configurable parameter. After the last parameter has been selected, a CONF NO message appears on the front panel display.
- 4 Do one of the following:
  - a To cancel the session without saving the requested parameter changes, press the MODE button or do nothing. (After 30 seconds, the display returns to its normal mode without saving the new changes.)
  - b To accept the requested parameter changes, press the SEL button. (A CONF YES message displays, and the display returns to its normal mode after saving the new changes.)

## Resetting to Factory Default Values

All user options (Table 8 on page 21) can be set to the factory default values using the MODE and SEL buttons. To set the user options to their default values:

- 1 Press the SEL button for 6 seconds until the following message appears:

DFLT NO

- 2 Press the SEL button while the DFLT NO message is displayed. The message changes to DFLT YES indicating the factory default values are now in effect and the display returns to the normal mode.

To terminate the DFLT mode without setting the factory default values, do one of the following:

- Press the MODE button to return to the normal display mode.
- Wait 30 seconds for the unit to return to the normal display mode.

## Displaying System Parameter Settings

To scroll through the current settings of all system parameters, press the MODE button for 3 or more seconds. The following parameters are displayed:

- HLU software version number
- HLU List number
- Type of frame pattern being received from the DSX-1
- HDSL power level setting
- All user-configured parameter settings.

## Disabling an Alarm

If the system is in a Minor alarm state, the alarm relay can be disengaged by pressing the SEL button. This turns off the Alarm Cut-off (ACO) indication.

## Loopback Modes

See “[Loopback Operation](#)” on page 41 for instructions on using the MODE and SEL buttons to activate loopbacks.

# USING A MAINTENANCE TERMINAL

## Connecting to a Maintenance Terminal

The craft port on the front panel allows you to connect the HLU-231 to a maintenance terminal (ASCII terminal or PC running a terminal emulation program). Once connected to a maintenance terminal, you can access the maintenance, provisioning, performance, and troubleshooting screens.

To connect to a maintenance terminal:

- 1 Connect a standard 9-pin terminal cable to the RS-232 craft port (Figure 1 on page 4) on the HLU-231 front panel.
- 2 Connect the other end of the cable to the serial port on the maintenance terminal.
- 3 Start a terminal emulation program such as ProComm (emulating a VT-100 terminal).
- 4 Configure the maintenance terminal to the following communication settings:
  - 1200 to 9600 baud (9600 baud is recommended)
  - No parity
  - 8 data bits
  - 1 stop bit
  - Hardware flow control to OFF.
- 5 Press the **SPACEBAR** several times to initiate the autobaud connection and to initialize the Maintenance Terminal screens.

## Accessing the Maintenance Terminal Screens

The following sections describe how to use the Maintenance Terminal screens to view, provision and diagnose an HLU-231 List 8D system.

### Navigation Keys

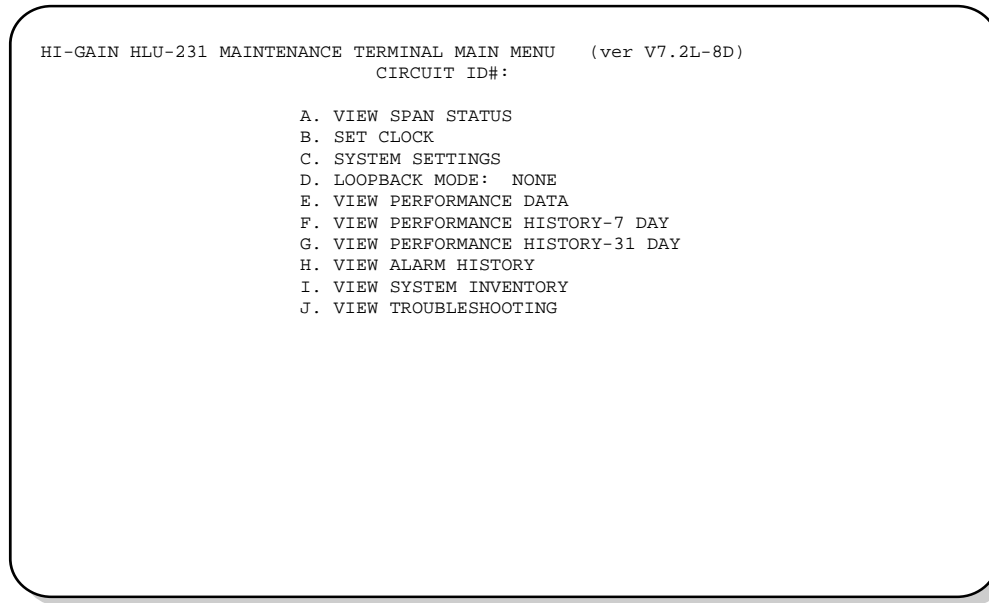
Table 3 lists keys you can use on the maintenance terminal to navigate the Maintenance Terminal screens.

*Table 3. Navigational Keys on the Maintenance Terminal*

Key	Function
<b>A</b>	Automatically updates the screen data
<b>U</b>	Updates screen data
<b>C</b>	Clears screen data
<b>S</b>	Selects the next Span Status screen (for doubler applications)
<b>1</b> , <b>2</b> , <b>3</b> , <b>4</b> , or <b>5</b>	Selects a specific Span Status screen (for doubler applications)
<b>P</b>	Selects the previous page of screen data
<b>N</b>	Selects the next page of screen data
<b>E</b>	Exits the current screen
<b>L</b>	Selects the Loopback menu from the Troubleshooting screen
<b>B</b>	Returns to the main Troubleshooting screen from the Troubleshooting (H)elp, (M)argin Values or (I)nsertion Loss screens

## Maintenance Terminal Main Menu

Figure 3 shows the Maintenance Terminal Main Menu from which you can access system administration screens. The function of each screen selection is listed in Table 4. To access a screen, type the letter shown next to the menu item.



**Figure 3.** Maintenance Terminal Main Menu

**Table 4.** Maintenance Terminal Screens

Press Key	To View Screen	Screen Description	See page:
<b>A</b>	View Span Status	Provides access to subscreens that allow you to monitor the HDSL and T1 line status between the HLU and the HRU.	15
<b>B</b>	Set Clock	Allows you to set both the time and the date parameters at the HLU, and to update the same settings at the HRU.	19
<b>C</b>	System Settings	Allows you to set all user options.	20
<b>D</b>	Loopback Mode	Provides access to a subscreen that allows you to enable and disable loopbacks at both the network and customer side.	25
<b>E</b>	View Performance Data	Provides access to subscreens that allow you to view the Errored Seconds (ES) and Unavailable Seconds (UAS) between the HLU and the HRU in 15-minute intervals over a 4-hour time period per screen for a total of 24 hours (6 screens).	28
<b>F</b>	View Performance History - 7 Day	Provides access to subscreens that allow you to view the ES and UAS between the HLU and the HRU in 24-hour intervals over a 7-day period.	30
<b>G</b>	View Performance History - 31 Day	Provides access to subscreens that allow you to view the ES and UAS between the HLU and the HRU in 24-hour intervals over a 31-day period.	30
<b>H</b>	View Alarm History	Provides access to subscreens that allow you to view alarm conditions between the HLU and the HRU.	32
<b>I</b>	View System Inventory	Allows you to enter a unique circuit ID (up to 24 alpha-numeric characters).	34
<b>J</b>	View Troubleshooting	Provides a graphic analysis of the circuit and identifies problem areas.	36



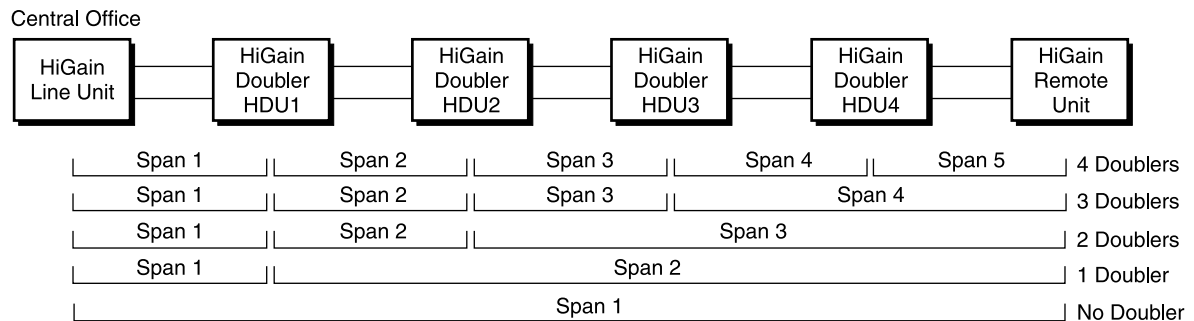
## Selecting a Maintenance Terminal Function

To perform a function within the Maintenance Terminal screens, you can:

- Press the key indicated to the left of the selection.
- Press the letter in parenthesis for the parameter to be changed.

## System Spans

As shown in [Figure 4](#), the HLU can support up to four doublers with five HDSL spans. The Span Status, Performance Data, and Performance History may display as many as five screens to depict an HLU-231 List 8D system.



*Figure 4. System Spans*

# USING THE MAINTENANCE TERMINAL SCREENS

## View Span Status Screen

The View Span Status option allows you to view up to five system status screens that provide information about the HDSL Loop 1, HDSL Loop 2, and the DS1. For doubler applications, the available Span Status screens depend on whether the system includes one, two, three, or four doublers.

Press **A** from the Maintenance Terminal Main Menu to open the Span Status screen ([Figure 5 on page 16](#)). If no doubler (HDU) is present, the screen reports span status for the subscriber lines between the HLU and the HRU.

If there are additional doublers, the Span Status screen reports status on each span. [Figure 6 on page 16](#) shows status between HDU4 and the HRU in a system with four doublers. Refer to [Table 5 on page 17](#) for an explanation of the Span Status fields.

From each Span Status screen:

- Press **C** to clear the cur (current), min (minimum) and max (maximum) numeric counts.
- Press **A** to automatically update status screens every 5 seconds. (Press **A** again to turn off auto update.)
- Press **U** to update cur (current) values.
- Press **S** to view the next available span (for doubler applications).
- Press **E** to exit and return to the previous screen.
- Press **1**, **2**, **3**, **4**, or **5** to select a specific span (for doubler applications).

### Span Status Screen without Doublers

```

SPAN STATUS
TIME: 10:05:11
DATE: 10/08/99          Circuit ID#:
ALARMS: NONE
LOOPBACK: OFF
POWER LEVEL: LOW

          HLU                      HRU
        HDSL-1    HDSL-2    HDSL-1    HDSL-2
        cur/min/max cur/min/max cur/min/max cur/min/max
MARGIN:      21/20/22  23/22/24  21/19/22  22/21/24 dB
PULSE ATTN:      00      00      00      00 dB
INS LOSS:        00      00      00      00 dB
24 HOUR ES:      00004   00003   00006   00007 seconds
24 HOUR UAS:      00014   00013   00000   00001 seconds

          DS1 STATUS
          HLU                      HRU
24 HOUR ES Count:  00001          00002
24 HOUR UAS Count: 00000          00002
Frame type:        ESF            ESF
Code type:         AMI            AMI

AUTOUPDATE OFF          (E)xit (C)lear (A)uto(U)pdate
    
```

Figure 5. Span Status Screen: No Doubler

### Span Status Screen for Doubler Applications

If doublers have been added, status is also reported for these. Span Status can have up to five screens, depending on the number of HDUs.

```

SPAN 5 STATUS
TIME: 12:06:04
DATE: 10/08/99          Circuit ID#:
ALARMS: NONE
LOOPBACK: OFF
POWER LEVEL: HIGH

          HDU4                      HRU
        HDSL-1    HDSL-2    HDSL-1    HDSL-2
        cur/min/max cur/min/max cur/min/max cur/min/max
MARGIN:      23/23/23  23/21/23  24/20/25  24/21/24 dB
PULSE ATTN:      07      07      07      07 dB
INS LOSS:        08      08      08      08 dB
24 HOUR ES:      00010   00008   00001   00002 seconds
24 HOUR UAS:      00021   00020   00004   00002 seconds

          DS1 STATUS
          HLU                      HRU
24 HOUR ES Count:  00000          00017
24 HOUR UAS Count: 00000          00012
Frame type:        ESF            ESF
Code type:         AMI            AMI

AUTOUPDATE OFF          (E)xit (C)lear (A)uto(U)pdate (S)pan(1)(2)(3)(4)(5)
    
```

Figure 6. Span Status Screen: Four Doublers (Span 5)

Table 5 lists the Span Status fields and descriptions. Table 6 and Table 7 on page 18 describe alarm and loopback messages displayed on the Span Status screens.

**Table 5. Span Status Fields and Descriptions**

Span Status Field	Description
Time	Time of day when Span Status was checked.
Date	Date when Span Status was checked.
Circuit ID#	Shows the user-defined circuit ID.
Alarms	Presence or absence of alarm conditions. See Table 12 on page 40.
Loopback	Indicates Off condition or identifies specific active loopback. See Table 13 on page 42.
Power Level	Indicates the HDSL line voltage in its Low (-140 V) or High ( $\pm 112$ V) state.
Margin	Indicates the excess signal to noise ratio at all HDSL ports, relative to a $10^{-7}$ Bit Error Rate. <ul style="list-style-type: none"> <li>• First value is current margin.</li> <li>• Second value is minimum margin since last cleared.</li> <li>• Third value is maximum margin since last cleared.</li> <li>• N/A means that the margin is not available.</li> </ul> <p>The minimum and maximum margins are cleared and updated every time the Span Status screen is cleared and every time the system clock passes 12:00 AM midnight.</p>
Pulse ATTN	Indicates the attenuation of the 2B1Q pulse from the distant end. The value is related to the 196 kHz loss of the cable pair. The pulse attenuation is a more direct indication of the loop attenuation to the 2B1Q signal than is the 196 kHz loss. The normal HiGain ATTN operation range is from 0 to 28 dB.
INS Loss	Indicates the approximate insertion loss of the loops at the HDSL line rate of 196 kHz. It is generated by multiplying the pulse attenuation by 1.25. Normal range is 0 dB to 35 dB.
24-Hour ES	The number of one second intervals that contained at least one CRC error. This value is a running total of the last 24 Hours.
24-Hour UAS	The number of seconds the HDSL loop was out of sync.
24-Hour ES Count	The number of seconds in which at least one error was detected on the DS1 input over a 24-hour period. Errors included are: DS1 Frame errors; BPV and ESF CRC errors.
24-Hour UAS Count	The number of seconds during which the DS1 input signal was absent ( $175 \pm 75$ consecutive zeroes) over a 24-hour period.
Frame type	Type of DS1 framing used on the input stream (SF or ESF).
Code type	Type of DS1 line coding used (AMI or B8ZS).



The Span Status screens shown on the previous page display a four-character code under the Alarms entry. These codes are described in Table 6 on page 18.

The following codes are reported with an RCV or XMT prefix that indicates the signal is being transmitted or received: LLOS, RLOS, LAIS, or RAIS.

**RCV (xxxx) - Signal received (xxxx) at the T1 input to either the HLU or HRU.**

**XMT (xxxx) - Signal transmitted (xxxx) at the T1 output of either the HLU or HRU.**

**Table 6. HDSL System Alarms**

Message	Name	Description
BER	Bit Error Rate	The Total System Error Count (TSEC) has exceeded the user-selected threshold.
CHREV-SP $n$	Channels Reversed	The Loop 1 and Loop 2 pairs are reversed at the HDU or HRU input ports.
LOSW	Loss of Sync Word	One of the HDSL loops has lost synchronization.
LLOS	Local Loss of Signal	Indicates that no signal is detected at the DSX-1 input to the HLU-231.
MAL1 or MAL2	Margin Alarm 1 or 2	The margin on the HDSL Loop 1 (or Loop 2) has dropped below the threshold (1 to 15 dB) set by the user. Setting the threshold to zero inhibits the margin alarm.
NONE	No Alarm	No alarm is indicated.
RAIS or LAIS	Remote (or Local) Alarm Indicating Signal	Indicates an AIS pattern of all ones is being transmitted from the remote (or local) T1 output port.
RLOS	Remote Loss of Signal	Indicates that no signal is detected at the DS1 input to the HRU.

Table 7 lists loopback messages displayed on the Span Status screens. For information about loopback codes, see “Loopback Test Procedures” on page 45.

**Table 7. Loopback Messages**

Message	Full Name	Description
ARM	Armed	The HiGain system has detected the Intelligent Repeater (IR) loopback arming code (2-in-5).
CDU $n$	Customer Doubler $n$ Loopback	Loopback at Doubler ( $n$ ) to Customer Installation (CI) initiated by an Intelligent Line Repeater (ILR) code, the MODE and SEL buttons on HLU-231 List 8D front panel, or by the maintenance terminal.
CLOC	Customer Local Loopback	Loopback at HRU (local) to CI initiated from Customer Premises Equipment (CPE) by the ILR #2 code, the MODE and SEL buttons on the HLU-231 front panel, or by the maintenance terminal.
CREM	Customer Remote Loopback	Loopback at HLU-231 (remote) to customer initiated by Intelligent Office Repeater (IOR) code, the MODE and SEL buttons on the HLU-231 front panel, or by the maintenance terminal.
(HG)	HiGain	The loopback was initiated from a HiGain front panel or by a HiGain maintenance terminal loopback command.
NDU $n$	Network Doubler $n$ Loopback	Loopback at Doubler ( $n$ ) to network initiated by ILR code, by the MODE and SEL buttons on the HLU-231 front panel, or by the maintenance terminal.
NLOC	Network Local Loopback	Loopback HLU-231 (local) to network initiated from CO by IOR code, the MODE and SEL buttons on the HLU-231 front panel, or by the maintenance terminal.
NREM	Network Remote Loopback	Loopback at HRU to network initiated from CO (network) by ILR #2 code, the MODE and SEL buttons on the HLU-231 front panel, the HRU manual loopback button, or by the maintenance terminal.
OFF	Off	No active loopback mode.
(PL)	Pay Load	The loopback was initiated by a command that was embedded in the T1 data path.
SMJK	SmartJack Loopback	Loopback from HRU to network initiated by (2-in-5) inband loopback code or out-of-band ESF data link code.
TLOS	Transmit Loss of Signal Loopback	HRU is in a logic loopback state caused by a loss of its T1 input from the CI (if enabled at the HRU through its TLOS switch option).

## Set Clock Screen

Press **B** at the Maintenance Terminal Main Menu to open the Set Clock screen (Figure 7).



*Figure 7. Set Clock Screen*



**Time information is lost when power is removed. The last date, however, is retained in NVRAM and reappears when power is restored.**

### Set Time

The cursor defaults to the New Time field. To set the system time, type the hour and minute in the 24-hour format of **hh:mm:ss** (setting the seconds is optional), then press **ENTER**. The New Date field appears.

### Set Date

To set the system date, type the month, day and year in a **mm/dd/yy** format, then press **ENTER**. The Update Remote field appears.



**When editing entries in the Set Clock screen and when using the Terminal emulation program in Windows 3.1, pressing the **BACKSPACE** key deletes two characters instead of just one.**

### Update the HRU Date and Time

Use this option to set the remote unit date and time:

- Press **U** to update the HRU to the same date and time set for the HLU-231 List 8D.
- Press **ENTER**. (The remote unit is not updated.)

## System Settings Screen

The options set from the System Settings screen are the same as the options set through the HLU-231 front panel Mode and SEL buttons (except for Margin Alarm Threshold and DS0 Blocking, which can only be set at this screen). Refer to [Table 8 on page 21](#) for a listing of system setting options. Press **C** at the Maintenance Terminal Main Menu to open the System Settings screen ([Figure 8](#)).

```

                                SYSTEM SETTINGS

TIME: 00:01:54
DATE: 10/08/99

                                CIRCUIT ID#:

A. EQUALIZATION....: EXT          K. MARGIN ALARM THRESH: 4
B. SMART-JACK LPBK.: ENABLED     L. RLOS(DS1 LOS) ALARM: ENABLED
C. POWER.....: AUTO             M. ALARM PATTERN.....: AIS
F. BER ALARM THRESH: NONE        N. REMOTE PROVISION...: DISABLED
G. LOOPBACK TIMEOUT: 120        O. BPVT.....: DISABLED
H. ALARM.....: DISABLED
I. DS1 LINE CODE....: B8ZS
J. AIS ON SMJK/NREM: ENABLED

                                (D)efaults, (E)xit
                                Enter the option letter to change setting
```

**Figure 8.** System Settings Screen

You have the following options at the Systems Settings screen:

- Press the desired option letter to change that setting.
- Press **D** to set all user options to the factory default values.
- If changes were made, press **C** when exiting to confirm, or press any other key to ignore changes.
- Press **E** to exit and return to the main menu.

Table 8 describes the System Settings options and lists the corresponding codes. Most of these options must be configured through the Maintenance Terminal System Settings screen. EQL, LBTO, LNCD, and CONF can also be set using the MODE and SEL buttons. Factory default parameters appear in boldface type.

**Table 8. HLU-231 List 8D System Settings**

System Settings Screen Options	Code	Parameter	Description
Equalization <sup>(a)</sup>	EQL	<b>EXT</b>	Disables the HLU internal equalizer, allowing connection of external equalizer hardware to perform the same or a similar function.
		0	Sets the Equalizer to DSX-1 for 0 to 133 feet.
		133	Sets the Equalizer to DSX-1 for 133 to 266 feet.
		266	Sets the Equalizer to DSX-1 for 266 to 399 feet.
		399	Sets the Equalizer to DSX-1 for 399 to 533 feet.
		533	Sets the Equalizer to DSX-1 for 533 to 655 feet.
SmartJack Loopback	LBPK	<b>DIS</b>	Configures the HiGain system to ignore all inband SmartJack loopback commands.
		<b>ENA</b>	Enables the HiGain system to recognize all inband SmartJack loopback commands.
Power (See "HDSL Line Voltage Options" on page 24.)	PWRF	<b>DIS</b>	Disables powering to the HDSL pair.
		<b>LOW</b>	Keeps the HDSL line voltage at -140 V maximum for all applications.
		<b>AUTO</b>	Allows the HDSL line voltage to automatically switch between -140 V maximum for non-doubler applications and $\pm 112$ V for doubler applications.
		<b>HIGH</b>	Forces the HDSL line voltage to $\pm 112$ V for all applications.
BER Alarm Threshold (See "BER Option" on page 23.)	BERT	<b>1E-6</b>	Activates (closes) the system alarm relay contacts on pins 20 and 21 of the card-edge connector and flashes the red Status LED when the BER exceeds $10^{-6}$ .
		<b>1E-7</b>	Activates (closes) the system alarm relay contacts on pins 20 and 21 of the card-edge connector and flashes the red Status LED when $10^{-6} > \text{BER} > 10^{-7}$ .
		<b>NONE</b>	Prevents generation of a system alarm due to BER.
Loopback Timeout <sup>(a)</sup>	LBTO	<b>NONE</b>	Disables automatic time-out cancellation of all loopbacks.
		20	Sets automatic cancellation of all loopbacks to 20 minutes after initiation.
		60	Sets automatic cancellation of all loopbacks to 60 minutes after initiation.
		<b>120</b>	Sets automatic cancellation of all loopbacks to 120 minutes after initiation.
Alarm	ALM	<b>DIS</b>	Opens the system alarm relay contacts if closed, and disables activation of the system alarm relay when a system alarm condition occurs.
		<b>ENA</b>	Enables activation of the system alarm relay when a system alarm condition occurs.
DSX-1 Line Code <sup>(a)</sup>	LNCD	<b>B8ZS</b>	Places both the HLU-231 and HRU into their B8ZS modes.
		<b>AMI</b>	Places both the HLU-231 and HRU into their AMI modes.
AIS on SMJK/NREM	SAIS	<b>ENA</b>	Causes the HRU to transmit the AIS signal towards the Customer Interface (CI) when in NREM or SmartJack loopback.
		<b>DIS</b>	Causes the HRU to either transmit the signal from the network towards the CI RCV port or to open and terminate its RCV CI port when an HRU NREM or SmartJack loopback is executed. The AIS signal is not sent (towards the CI).
Margin Alarm Threshold (See "Margin Alarm Threshold Option" on page 24.)	MARG	0 to 15 dB	The Margin Alarm Threshold can only be set through a maintenance terminal connected to the craft port. It determines the minimum allowable margin below which a system alarm can occur. Zero disables the alarm.
		<b>4dB</b>	Default value.

**Table 8. HLU-231 List 8D System Settings (Cont.)**

<b>System Settings Screen Options</b>	<b>Code</b>	<b>Parameter</b>	<b>Description</b>
RLOS Alarm	RDA	<b>ENA</b>	Enables a remote DS1 LOS condition at the input to the HRU to generate an LOS alarm. AIS or LOS (depending on ALMP) is sent towards the network.
		<b>DIS</b>	Prevents a remote DS1 LOS condition at the input to the HRU from causing an LOS alarm. The front panel Status LED still flashes red and the ALRM RLOS message is displayed, but the alarm relay contacts do not close and LOS (not AIS) is sent towards the network from the HLU.
Alarm Pattern	ALMP	<b>AIS</b>	Enables HiGain to output an AIS payload at its DS1 ports for LOSW, T1 LOS and Margin alarms.
		<b>LOS</b>	Enables HiGain to output an LOS condition at its DS1 ports for LOSW, T1 LOS and Margin alarms.
Remote Provisioning	RTPV	<b>ENA</b>	Enables provisioning at the remote end (when remotely logged in).
		<b>DIS</b>	Disables remote provisioning.
Bipolar Violation Transparency (See "BPVT Option" below.)	BPVT	<b>ENA</b>	Enables BPVs and HDSL CRC errors at the DS1 input to be converted into DS1 BPVs at the distant end's DS1 output. This makes HiGain transparent to BPVs.
		<b>DIS</b>	Inhibits reporting of BPVs and CRC errors at the DS1 input and disables the Fast LOSW reporting function.

(a) Can also be configured using the MODE and SEL buttons on the HLU front panel.



## Equalization Option

Equalization is the configuration of system transmission characteristics within specified limits. An adaptive equalizer inserts a frequency-shaped loss that corresponds to an equivalent addition of an appropriate cable length. By simulating the additional cable loss necessary for correct operation, the equalizer compensates for a range of variation in transmission path characteristics.

## BPVT Option

The HLU-231 List 8D improves HiGain's compatibility with Digital Loop Carrier (DLC) feeder applications because of its ability to transmit T1 BPV occurrences between its T1 interfaces. This feature is required to support protection switching in DLC applications. Each DLC terminal must be able to monitor the integrity of its Receive T1 payload and then switch to the protect line when the integrity of the path drops below specific user-selected limits. An essential requirement of this feature is the need for each DLC terminal to detect BPVs in its T1 input. Standard HDSL systems correct T1 BPVs at the input and prevent them from being detected by the DLC terminals to which they are connected. The HLU-231 and its associated remote units remove this limitation and become BPV transparent by detecting and counting input BPVs at each end and then replicating them at the T1 output port of the distant end. When the BPVT option is Enabled (ENA), the Fast LOSW feature reports LOSW conditions within approximately 2 seconds. When the BPVT option is Disabled (DIS), LOSW conditions may take up to 10 seconds.



**When BPVT is enabled in systems with four or fewer doublers, the response time to an HDSL LOSW is reduced to approximately 70 ms (milliseconds), which gives DLC terminals time to react and avoid dropped calls. This is known as the "Fast LOSW" feature.**

In addition, the CRCs in each direction of every HDSL loop of each span are counted and added in with the BPV count to produce a Total Error Count (TEC) that indicates the integrity of both the T1 and HDSL paths. A TEC in each direction is calculated each second by adding the number of BPVs to the number of HDSL CRCs in that direction. The maximum TEC count is 12,000. This TEC number is converted into BPVs at the distant end during the following second at a rate of 1 BPV every 128 T1 bits up to a maximum of 12000 ( $BER=7.7 \times 10^{-3}$ ). This maximum rate is more than adequate since it exceeds the maximum  $10^{-3}$  BER required by most DLC systems.

## BER Option

The BER option also uses this (BPV/CRC) TEC to generate an Alarm, if enabled. The HLU combines the 1-second TEC counts in both directions for the last 60 seconds. It uses this 1-minute Total System Error Count (TSEC) to generate an alarm if it exceeds the selected BER threshold ( $1E-6$  or  $1E-7$ ) as follows:

- BER option =  $1E-6$ . Alarm is generated if  $TSEC > 92$ .
- BER option =  $1E-7$ . Alarm is generated if  $TSEC > 9$ .

If initiated, the alarm clears when the TSEC drops below its associated threshold count. For dribbling errors, the alarm can come and go in intervals as short as 1 second. Alarms due to bursty impulse noise transients usually require the full 60 seconds or longer to clear depending on the frequency of the transients. This BER option is always present in any line unit circuit since it is independent of other versions of HiGain modules in the circuit. When connected to an HRU, other than the HLU-402, HLU-406, or HLU-411, only the BVPs detected by the HLU are included in the TBC. The BPVs at the HRU are not counted.

## Margin Alarm Threshold Option

To set the Margin Alarm Threshold:

- 1 Select **P** from the System Settings Main Menu screen.
- 2 Enter the desired minimum acceptable alarm threshold from the 0 to 15 dB range. This causes a system alarm to occur if either the margin on HDSL Loop 1 (MAL1) or Loop 2 (MAL2) drops below the selected threshold value.



Since the margin can never drop below zero, choosing **0** (zero) for the margin threshold turns the margin alarm off.

## HDSL Line Voltage Options

The PWRF option has four settings for HDSL line power feed: DIS, LOW, AUTO, and HIGH.

- **DIS** disables any voltage from being applied to the HDSL cable pairs. It is useful to prevent craft personnel from being exposed to the HDSL line voltage when they are working on the cable pairs.
- **LOW** limits the HDSL simplex voltage to -140 V maximum. This is the standard voltage used in all non-doubler applications and has no effects in these applications. It can be chosen to limit line-powered, single-doubler circuits or locally-powered, two-doubler circuits up to -140 V, if the appropriate HiGain products (HDU-409, HDU-404 or HDU-407 and HRU-402 or HRU-411) are used along with the HLU-231 List 8D. These HiGain units are the only ones that have sufficiently low power consumption to allow their doubler circuits to be line-powered from -140 V. The HRU-411 must have the CPE power option disabled if it is used in a -140 V doubler circuit.
- **AUTO** is the conventional mode in which the HLU automatically maintains the HDSL line voltage at -140 V maximum for non-doubler applications and  $\pm 112$  V for doubler applications.
- **HIGH** forces the HDSL line voltage to its high  $\pm 112$  V level for applications. It is needed to allow the HLU to power circuits that are providing power to remote Personal Communication Systems (PCS) sites.



If the HLU-231 List 8D is used with the HRU-411 to power PCS sites, PWRF option should be set to **AUTO**. This causes the HLU to automatically detect the need to switch to the **HIGH** power feed mode when it receives a request from the HRU to do so.

## Loopback Mode Screen

Use the Loopback Menu to issue loopbacks to the HiGain system. Depending upon the number of doublers, there can be up to five loopback screens.

Press **D** from the Maintenance Terminal Main Menu to display the Loopback Menu. [Figure 9](#) shows an example of a Loopback Menu when no doublers are present; [Figure 10](#) shows an example when four doublers are present.

The following options are available:

- Type **A** to select the Disable Loopbacks option.
- Type **B** to select HLU Network Loop.
- Type **C** to select HRU Network Loop.
- Type **G** to select HLU Customer Loop.
- Type **H** to select HRU Customer Loop.
- For doubler applications, additional loopback selections appear on the screen.
- Type **E** to exit and return to the previous menu.

[Table 9](#) lists the HLU-231 Loopback field messages and descriptions.

*Table 9. Loopback Field Messages and Descriptions*

Messages	Full Name	Description
NREM	Network Remote Loopback	Loopback at HRU (remote) towards network.
NLOC	Network Local Loopback	Loopback at HLU (local) towards network.
CLOC	Customer Local Loopback	Loopback at HRU (local) towards CI.
CREM	Customer Remote Loopback	Loopback at HLU (remote) towards CI.
NDU $n$	Network Doubler $n$ Loopback	Loopback at $n^{\text{th}}$ doubler towards network.
CDU $n$	Customer Doubler $n$ Loopback	Loopback at $n^{\text{th}}$ doubler towards CI.

### Loopback Menu without Doubler

```
                                LOOPBACK MENU

TIME: 00:15:34
DATE: 10/08/99
CIRCUIT ID#:

      A. DISABLE LOOPBACKS
      B. NETWORK LOOP HLU      (NLOC)
      C. NETWORK LOOP HRU      (NREM)
      G. CUSTOMER LOOP HLU      (CREM)
      H. CUSTOMER LOOP HRU      (CLOC)

                                (E)xit
```

Figure 9. Loopback Menu: No Doubler

### Loopback Menu for Doubler Applications

```
                                LOOPBACK MENU

TIME: 00:03:33
DATE: 10/08/99
CIRCUIT ID#:

      A. DISABLE LOOPBACKS
      B. NETWORK LOOP HLU      (NLOC)
      C. NETWORK LOOP HRU      (NREM)
      D. NETWORK LOOP DOUBLER 1 (NDU1)
      F. NETWORK LOOP DOUBLER 2 (NDU2)
      G. CUSTOMER LOOP HLU      (CREM)
      H. CUSTOMER LOOP HRU      (CLOC)
      I. CUSTOMER LOOP DOUBLER 1 (CDU1)
      J. CUSTOMER LOOP DOUBLER 2 (CDU2)
      K. NETWORK LOOP DOUBLER 3 (NDU3)
      L. CUSTOMER LOOP DOUBLER 3 (CDU3)
      M. NETWORK LOOP DOUBLER 4 (NDU4)
      N. CUSTOMER LOOP DOUBLER 4 (CDU4)

                                (E)xit
```

Figure 10. Loopback Menu: Four Doublers

## Initiating a Loopback

To send one of the available loopbacks, press the appropriate letter in the Loopback Menu. The following prompt appears:

PLEASE WAIT.....

A series of dots moves from left to right indicating that the command has been issued. When this process completes, the system returns to the Maintenance Terminal Main Menu. The selected loopback four-letter designation now appears in the Loopback Mode field in the Maintenance Terminal Main Menu (see [Figure 11](#) in which an NLOC loopback is in progress). The loopback continues to cycle in the system depending upon your Loopback Timeout setting.



**The Loopback Menu screen is also available at the HRU connected to the HLU-231 List 8D, allowing all HiGain System loopbacks to be initiated from either end of the circuit.**

```

HI-GAIN HLU-231      MAINTENANCE TERMINAL MAIN MENU   (ver V7.2L-8D)

                        CIRCUIT ID#:

                        A. VIEW SPAN STATUS
                        B. SET CLOCK
                        C. SYSTEM SETTINGS
                        D. LOOPBACK MODE: NONE
                        E. VIEW PERFORMANCE DATA
                        F. VIEW PERFORMANCE HISTORY-7 DAY
                        G. VIEW PERFORMANCE HISTORY-31 DAY
                        H. VIEW ALARM HISTORY
                        I. VIEW SYSTEM INVENTORY
                        J. VIEW TROUBLESHOOTING

```

**Figure 11.** NLOC Loopback Mode Reported in the Maintenance Terminal Main Menu

## Disabling a Loopback

The Disable Loopbacks option ([Figure 9 on page 26](#)) allows you to disable (cancel) any of the loopbacks listed in the screen. To disable loopbacks, press **A** in the Loopback Menu. The following prompt appears:

PLEASE WAIT.....

A series of dots moves from left to right indicating that the command has been issued. When this process completes, the system returns to the Maintenance Terminal Main Menu where the Loopback Mode is identified as None.

## View Performance Data Screen

The Performance Data screen shows the Errored (ES) and Unavailable Seconds (UAS) for both HDSL loops and each T1 input at 15-minute intervals over a 4-hour time interval. (The ES and UAS data is separated by a slash mark.) Earlier and later data, in 4-hour time periods on different span screens, is accessed by pressing **P** (Previous) or **N** (Next) respectively.

Errored and Unavailable Seconds are defined in [Table 10](#).

Press **E** at the Maintenance Terminal Main Menu to view the Performance Data screen. From each Performance Data screen:

- Press **P** to view the *previous* 4-hour data screen.
- Press **N** to view the *next* 4-hour data screen.
- Press **S** to view the next available *span* (for doubler applications).
- Press **1**, **2**, **3**, **4**, or **5** to select a specific span (for doubler applications).
- Press **E** to *exit*.



**All Performance Data counters can be set to zero by pressing **C** (clear) from the HLU-231 Span Status screen shown in [Figure 5 on page 16](#). The HLU-231 is considered the master module; it clears all performance data screens at both the HLU-231 and the HRU. Counters can not be cleared by accessing the HRU craft port.**

*Table 10. Errored and Unavailable Seconds Definitions*

ES and UAS	Definition
HDSL Errored Second	A second in which at least one HDSL CRC has occurred.
HDSL Unavailable Second	A second in which an HDSL loop experiences loss of sync at least once.
DS1 Errored Second	A second in which at least one BPV, CRC, FRM error, or LOS has occurred.
DS1 Unavailable Second	A second in which at least one T1 LOS condition ( $175 \pm 75$ ) zeros has occurred.

### Performance Data Screen without Doubler

Figure 12 shows a single non-doubler span. This screen shows the Errored and Unavailable Seconds for the HDSL span between the HLU-231 and the HRU.

```

Date: 10/08/99          PERFORMANCE DATA
CIRCUIT ID#:

          ERRORED SECONDS/UNAVAILABLE SECONDS

          DS1              HDSL-1              HDSL-2
          HLU      HRU      HLU      HRU      HLU      HRU
00:00    ---/---    ---/---    ---/---    ---/---    ---/---    ---/---
00:15    ---/---    ---/---    ---/---    ---/---    ---/---    ---/---
00:30    ---/---    ---/---    ---/---    ---/---    ---/---    ---/---
00:45    ---/---    ---/---    ---/---    ---/---    ---/---    ---/---
01:00    ---/---    ---/---    ---/---    ---/---    ---/---    ---/---
01:15    ---/---    ---/---    ---/---    ---/---    ---/---    ---/---
01:30    ---/---    ---/---    ---/---    ---/---    ---/---    ---/---
01:45    ---/---    ---/---    ---/---    ---/---    ---/---    ---/---
02:00    ---/---    ---/---    ---/---    ---/---    ---/---    ---/---
02:15    ---/---    ---/---    ---/---    ---/---    ---/---    ---/---
02:30    ---/---    ---/---    ---/---    ---/---    ---/---    ---/---
02:45    ---/---    ---/---    ---/---    ---/---    ---/---    ---/---
03:00    ---/---    ---/---    ---/---    ---/---    ---/---    ---/---
03:15    ---/---    ---/---    ---/---    ---/---    ---/---    ---/---
03:30    ---/---    ---/---    ---/---    ---/---    ---/---    ---/---
03:45    001/      002/002    004/014    006/      003/013    007/001

          (E)xit (P)revious (N)ext
    
```

Figure 12. Performance Data Screen: No Doubler

### Performance Data Screen for Doubler Applications

Figure 13 is an example of a Performance Data screen that lists performance data for the fifth span (H DU4 to the HRU).

```

Date: 10/08/99          SPAN 5 PERFORMANCE DATA
CIRCUIT ID#:

          ERRORED SECONDS/UNAVAILABLE SECONDS

          DS1              HDSL-1              HDSL-2
          HLU      HRU      HDU4      HRU      HDU4      HRU
00:00    ---/---    ---/---    ---/---    ---/---    ---/---    ---/---
00:15    ---/---    ---/---    ---/---    ---/---    ---/---    ---/---
00:30    ---/---    ---/---    ---/---    ---/---    ---/---    ---/---
00:45    ---/---    ---/---    ---/---    ---/---    ---/---    ---/---
01:00    ---/---    ---/---    ---/---    ---/---    ---/---    ---/---
01:15    ---/---    ---/---    ---/---    ---/---    ---/---    ---/---
01:30    ---/---    ---/---    ---/---    ---/---    ---/---    ---/---
01:45    ---/---    ---/---    ---/---    ---/---    ---/---    ---/---
02:00    ---/---    ---/---    ---/---    ---/---    ---/---    ---/---
02:15    ---/---    ---/---    ---/---    ---/---    ---/---    ---/---
02:30    ---/---    ---/---    ---/---    ---/---    ---/---    ---/---
02:45    ---/---    ---/---    ---/---    ---/---    ---/---    ---/---
03:00    ---/---    ---/---    ---/---    ---/---    ---/---    ---/---
03:15    ---/---    ---/---    ---/---    ---/---    ---/---    ---/---
03:30    ---/---    ---/---    ---/---    ---/---    ---/---    ---/---
03:45    001/      ---/---    005/415    ---/---    035/492    ---/---

          (E)xit (P)revious (N)ext (S)pan(1)(2)(3)(4)(5)
    
```

Figure 13. Performance Data Screen: Four Doublers (Span 5)

## View Performance History Screen (7-Day and 31-Day)

The Performance History screen shows the daily occurrences of ES and UAS over a 7-day or 31-day period in 24-hour increments. Errored Seconds and Unavailable Seconds for both HDSL loops and each of the two DS1 inputs are listed for the current and previous period.

Press **F** (7-day) or **G** (31-day) at the Maintenance Terminal Main Menu to open the Performance History screen. This screen shows the ES and UAS for the HDSL loop between the HLU-231 and the HRU.

The following options are available:

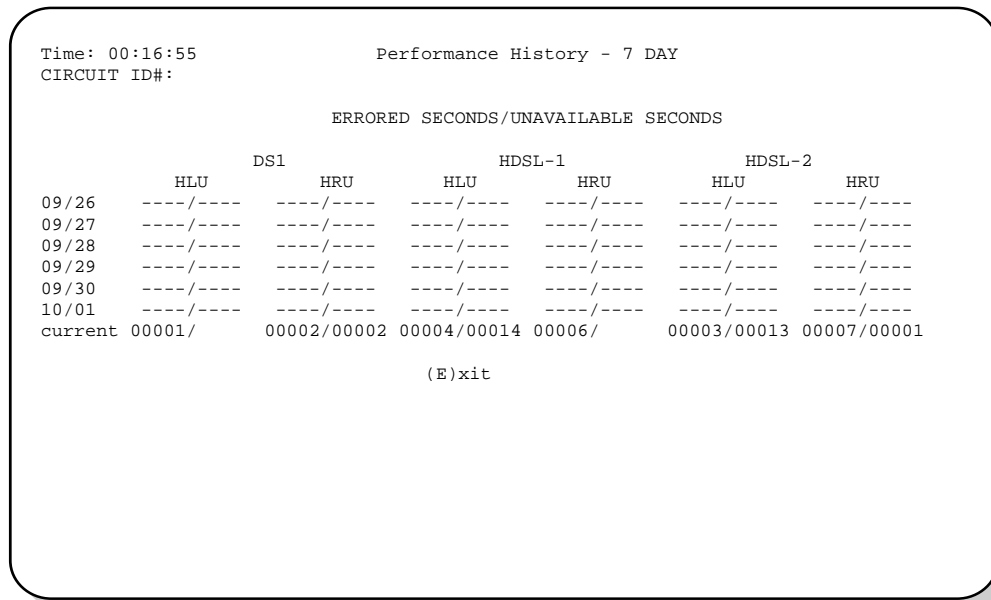
- Press **S** from the Performance History screen to advance through the history screens for the various spans (for doubler applications).
- From the 31-day Performance History screen press **N** (next) for a continued history.
- From the 31-day Performance History screen press **P** (previous) for the previous screen.
- Press **E** to exit from the Performance History screen.



**All Performance History counters can be set to zero by pressing **C** (Clear) from the HLU-231 Span Status screen shown in Figure 5 on page 16. The HLU-231 is considered the master module; it clears all performance data screens at both the HLU-231 and the HRU. Counters can not be cleared by accessing the HRU craft port.**

### Performance History Screen without Doubler

Figure 14 shows a 7-day history for a non-doubler application.



**Figure 14.** 7-Day Performance History Screen: No Doubler



### Performance History Screen for Doubler Applications (7-Day and 31-Day)

The Performance History screen displays information by span when doublers are present. With multiple doublers (up to four), there can be as many as five span screens. Figure 15 is an example of a 31-day screen showing data for the fifth span between HDU4 and the HRU.

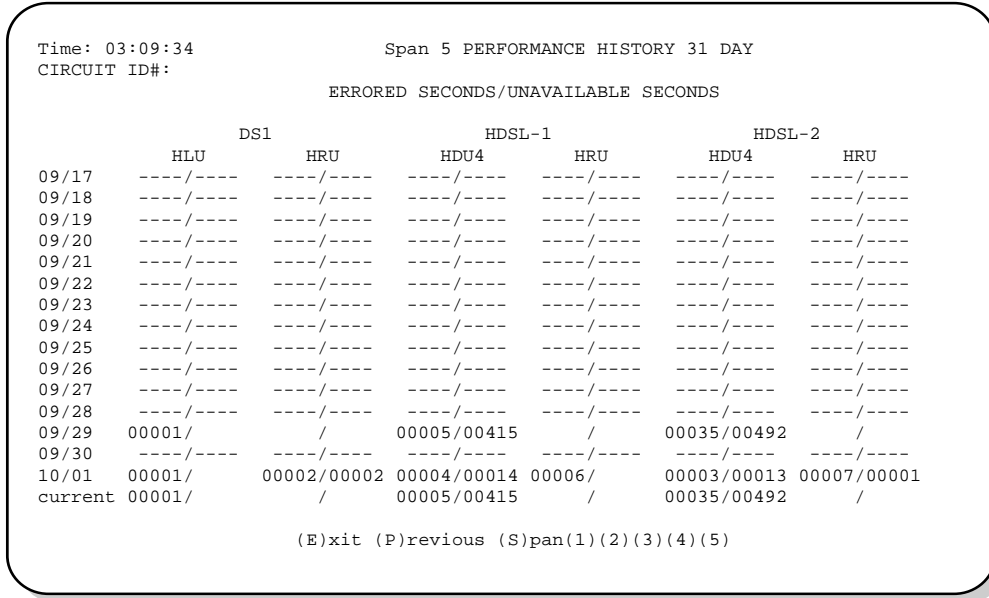


Figure 15. 31-Day Performance History Screen: Four Doublers (Span 5)

## View Alarm History Screen

Press **H** at the Maintenance Terminal Main Menu to open the Alarm History screen. This screen allows you to view alarms that are currently active. In the Alarm History screen (Figure 16 and Figure 17 on page 33) the:

- First and Last columns contain the time and date stamp of the first and last occurrence of each alarm.
- Current column shows the status of each alarm.
- Count column lists the number of times each alarm occurred. (The maximum non-overflowing count is 999.)

From each Alarm History screen:

- Press **U** to *update* the screen.
- Press **S** to view another *span* (for doubler applications).
- Press **C** to *clear* all data from the screen.
- Press **1**, **2**, **3**, **4**, or **5** to select a specific span (for doubler applications).
- Press **E** to *exit* from the Alarm History screen.

Table 11 lists the Alarm History fields and descriptions. These descriptions apply to the Alarm History screens for doubler and non-doubler applications.

**Table 11.** Alarm History Fields and Descriptions

Field	Description
Type	Identifies the type of alarm.
LOS, DS1-HLU	First and last instance of LOS at the HLU; Current condition, number of alarms.
LOS, DS1-HRU	First and last instance of LOS at the HRU; Current condition, number of alarms.
BER	First and last instance of a BER at the HRU; Current condition, number of alarms.
Span <i>n</i> LOSW, HDL1	First and last instance of LOSW on HDL1; Current condition, number of alarms.
Span <i>n</i> LOSW, HDL2	First and last instance of LOSW on HDL2; Current condition, number of alarms.
Span <i>n</i> Margin L1	First and last instance when margin dropped below the established threshold on Loop 1; Current condition, number of alarms.
Span <i>n</i> Margin L2	First and last instance when margin dropped below the established threshold on Loop 2; Current condition, number of alarms.
PWR-SHRT	Power short condition; Current condition, number of alarms.
PWR-GND	Power ground condition; Current condition, number of alarms.
Last Cleared:	Last time Alarm History cleared; Current condition, number of alarms.

## Alarm History Screen without Doubler

```

                                ALARM HISTORY

TIME: 00:01:58
DATE: 10/08/99
CIRCUIT ID#:

Type           First           Last           Current       Count
LOS, DS1-HLU           OK             000
LOS, DS1-HRU           OK             000
BER                    OK             000
SPAN1 LOSW, HDL1 10/08/99-00:00  10/08/99-00:00  OK             001
SPAN1 LOSW, HDL2 10/08/99-00:00  10/08/99-00:00  OK             001
SPAN1 MARGIN L1        OK             000
SPAN1 MARGIN L2        OK             000
PWR-SHRT              OK             000
PWR-GND                OK             000

LAST CLEARED: 10/08/99-00:01

                                (E)xit (C)lear (U)pdate

```

*Figure 16. Alarm History Screen: No Doubler*

## Alarm History Screen for Doubler Applications

The Alarm History screen displays information by span. With no doubler, there is only one span (Figure 16). With multiple doublers (up to four), there can be as many as five span screens. Figure 17 is an example of an Alarm History screen that lists history for the fifth span (Doubler #4 to the HRU).

```

                                ALARM HISTORY

TIME: 13:59:20
DATE: 10/08/99
CIRCUIT ID#:

Type           First           Last           Current       Count
LOS, DS1-HLU           OK             000
LOS, DS1-HRU           OK             000
BER                    OK             000
SPAN5 LOSW, HDL1 10/08/99-00:00  10/08/99-00:00  OK             001
SPAN5 LOSW, HDL2 10/08/99-00:00  10/08/99-00:00  OK             001
SPAN5 MARGIN L1 10/08/99-00:00  10/08/99-00:00  OK             001
SPAN5 MARGIN L2 10/08/99-00:00  10/08/99-00:00  OK             001
PWR-SHRT              OK             000
PWR-GND                OK             000

LAST CLEARED: 10/08/99-13:49

                                (E)xit (C)lear (U)pdate (S)pan(1)(2)(3)(4)(5)

```

*Figure 17. Alarm History Screen: Four Doublers (Span 5)*

## System Inventory Screen

The System Inventory screen (Figure 18 on page 35) lists the six possible units that can comprise one HiGain circuit: one HLU, one HRU and up to four doublers. The information in the System Inventory Screen is presented as follows:

- All six possible unit modules are always listed. The doublers are shown as: DB1, DB2, DB3, DB4.
- The model number, list number and software revision number of every unit that is present in the circuit is listed in the Product column. Units that are not detected are not considered to be present in the circuit and are labeled N/A.
- Each of the unit IDs is limited to 24 alphanumeric characters. To change an ID, select its line identifying letter. The IDs, like the system settings, are stored in NVRAM and remain when power is lost.
- The HLU has no unit ID number since it is usually identified by the Circuit ID number, which appears in every screen.
- All detected modules have the product number listed. When the HLU-231 loses sync with Span 1, the product types are replaced by the N/A label until sync is reestablished and each module can in turn be reidentified. Only the Circuit ID appears in the other HLU-231 List 8D Terminal Maintenance screens.

Press **I** at the Maintenance Terminal Main Menu to display the System Inventory screen (Figure 18 and Figure 19 on page 35).

From each System Inventory screen (depending on the number of doublers):

- 1 Select the unit for which you want to set the circuit ID by pressing the letter that precedes the unit name.
- 2 Type the circuit ID, then press **ENTER**.  
You can use up to 24 alphanumeric characters for the circuit ID. If more than 24 characters are entered, a warning beep is emitted and only the first 24 characters are accepted.
- 3 To set the circuit ID for another unit, repeat [Step 1](#) and [Step 2](#).
- 4 Press **E** to *exit* the System Inventory screen.  
The system prompts you to confirm the circuit ID.
- 5 Press **C** to *confirm* the circuit ID and exit the System Inventory screen.



**At initial turnup, the Circuit and Unit IDs are not set. Resetting user options to the default settings from either the front panel or System Settings screen has no effect on the ID values.**

## System Inventory Screen without Doubler

```

                                SYSTEM INVENTORY
TIME: 00:27:59
DATE: 10/08/99
                                A. CIRCUIT ID:

UNIT      PRODUCT      UNIT ID
HLU       HLU-231  L8D V7.2   NOT REQUIRED
B. HRU    HRU-402  L1A V1.3   Remote Unit
C. DB1    N/A
D. DB2    N/A
F. DB3    N/A
G. DB4    N/A

                                (E)xit
Enter the item letter to change the ID

```

*Figure 18. System Inventory Screen: No Doubler*

## System Inventory Screen for Doubler Applications

```

                                SYSTEM INVENTORY
TIME: 18:16:37
DATE: 10/08/99
                                A. CIRCUIT ID#:

UNIT      PRODUCT      UNIT ID
HLU       HLU-231  L8D V7.1   NOT REQUIRED
B. HRU    HRU-402  L1A V1.3   Remote Unit
C. DB1    HDU-404  L2  V1.2
D. DB2    HDU-404  L2  V1.2
F. DB3    HDU-404  L2  V1.2

                                (E)xit
Enter the item letter to change the ID

```

*Figure 19. System Inventory Screen: Four Doublers*

## View Troubleshooting Screen

The Troubleshooting screen graphically analyzes the circuit and identifies any problem areas.

Press **J** at the Maintenance Terminal Main Menu to access the Troubleshooting screen. The Troubleshooting screen (Figure 20) appears showing the HLU, the HRU and any doublers that are in the circuit (up to four).

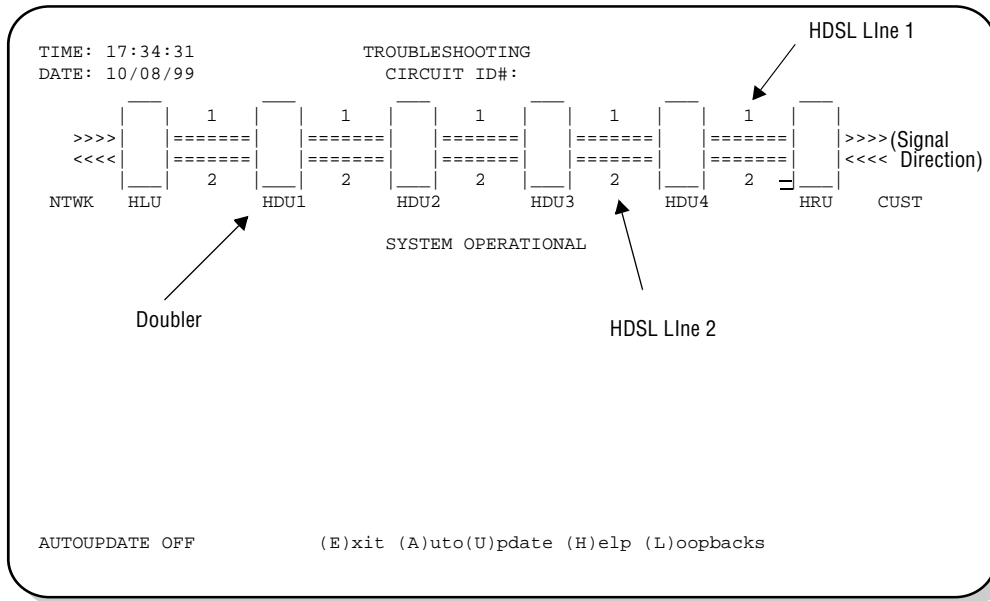


Figure 20. Troubleshooting Screen for a Doubler Application

Figure 21 shows an example of a circuit that has identifiable problems. Symbols on the troubleshooting diagram indicate the location of the circuit problems. The legend describes the type of problem.

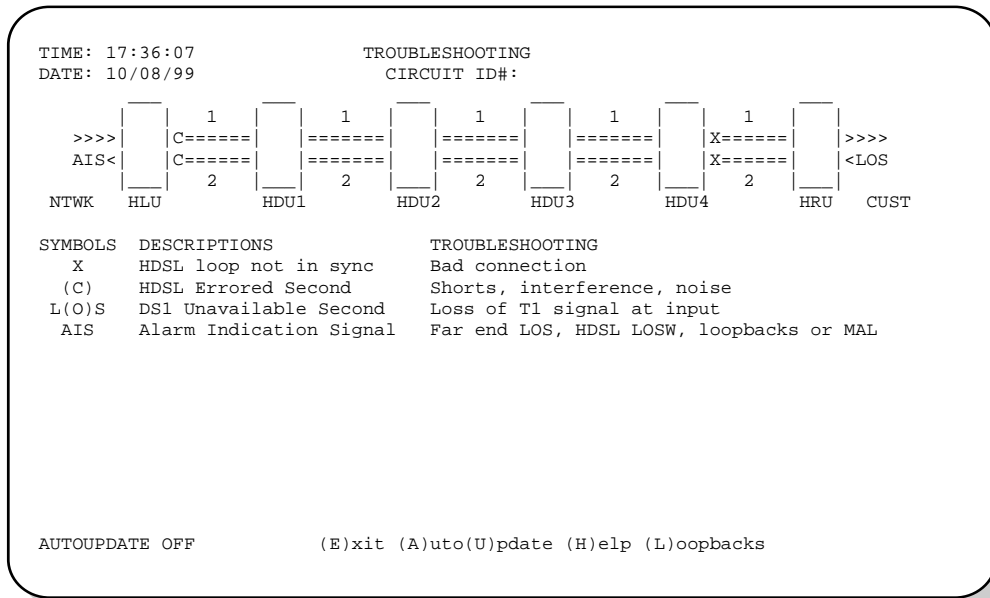


Figure 21. Troubleshooting Screen Describing Circuit Problem

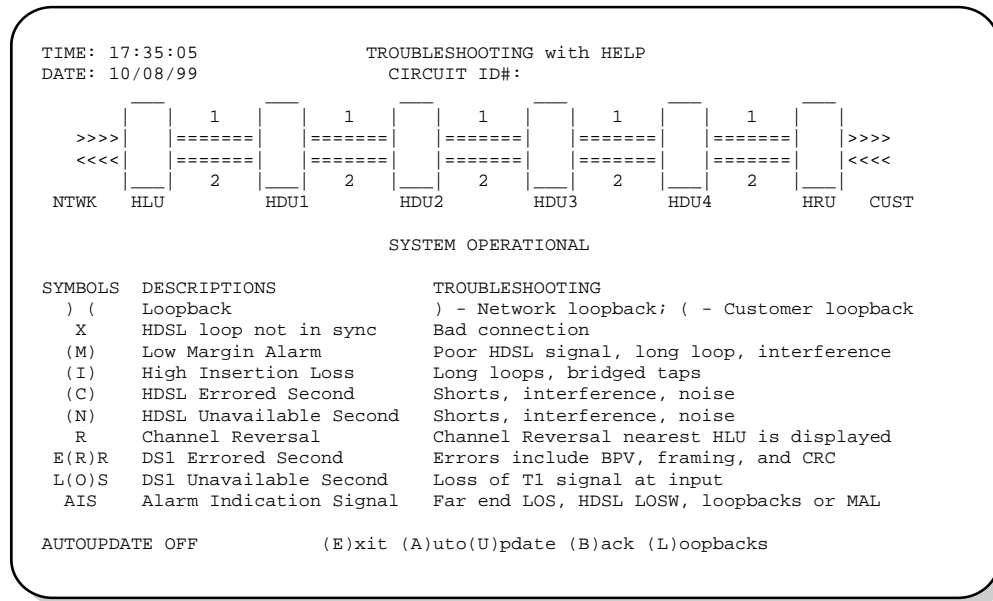
To display the circuit Help diagram (Figure 22), press **H**. The symbol legend used to describe all circuit events and the corresponding troubleshooting tips are located beneath the Help diagram. A troubleshooting symbol on the diagram identifies the location of a problem.

Those legend symbols which appear in parentheses are also keyboard commands for obtaining additional information.

- Press **M** to display *margin values* for the circuit. (Figure 23 on page 38)
- Press **I** to display the *insertion loss values* for the circuit. (Figure 24 on page 38)

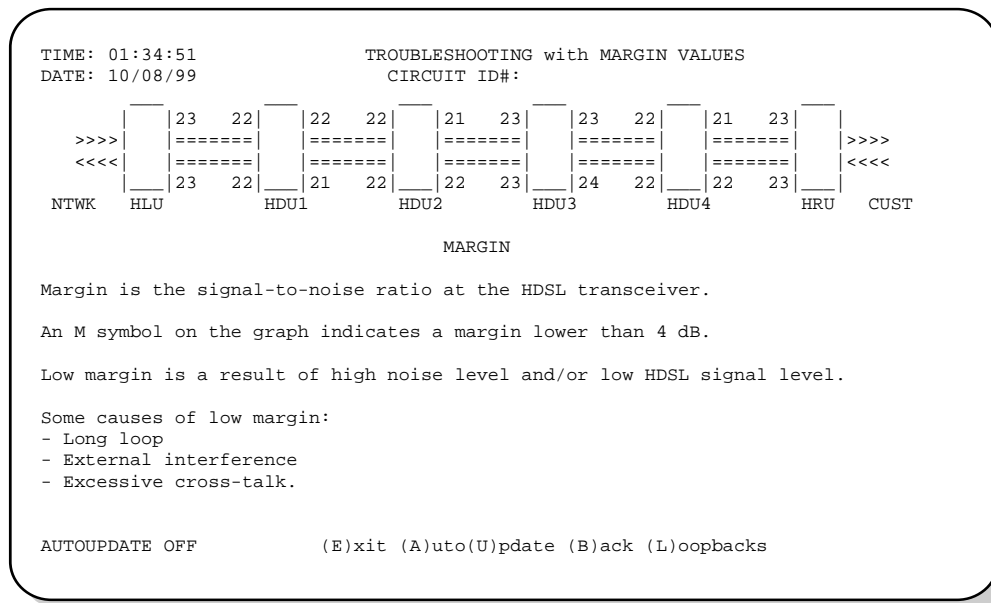
The Troubleshooting screens use the following navigational keyboard commands:

- Press the **H** (help), **M** (margin values), or **I** (insertion loss values) toggle keys to enter or exit the respective troubleshooting screen.
- Press **E** to return back to the Maintenance Terminal Main Menu.
- Press **B** to return back to the main Troubleshooting screen from the Help, Margin Values or Insertion Loss screens.
- Press **U** to *update* a screen.
- Press **A** to automatically update the screen. (Press **A** again to deactivate auto update.) The Troubleshooting screen indicates whether AutoUpdate is on or off.
- Press **L** to directly access the Loopback menu (see “Loopback Mode Screen” on page 25).



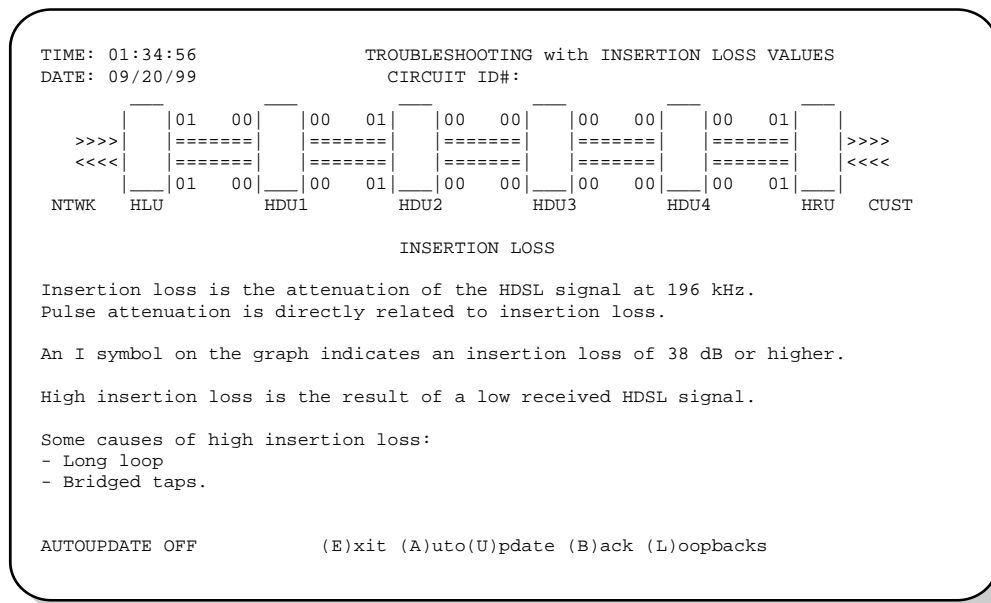
**Figure 22.** Troubleshooting with Help

Press **M** to display margin values for the circuit (Figure 23).



**Figure 23.** Troubleshooting with Margin Values

Press **I** to display the insertion loss values for the circuit (Figure 24).



**Figure 24.** Troubleshooting with Insertion Loss Values



Press **C** or **R** (in **ERR**) to view the 24-hour DS1 and HDSL errored seconds values for the circuit (Figure 25).

```

DATE: 09/20/99                CIRCUIT ID#:
001 | | 009 002 | | 009 001 | | 005 002 | | 005 002 | | 004 009 | |
>>> | | ===== | | ===== | | ===== | | ===== | | ===== | | >>>
<<<< | | ===== | | ===== | | ===== | | ===== | | ===== | | <<<<
NTWK  HLU      HDU1    HDU2    HDU3    HDU4    HRU      CUST
                24 HOUR DS1 AND HDSL ERRORED SECONDS

A C symbol on the graph indicates an HDSL CRC error has occurred.
An ERR symbol on the graph indicates a DS1 error has occurred.
The maximum value can be displayed is 999.

Some causes of HDSL errors: Shorts, interference, noise

Some causes of DS1 errors:
- Bipolar Violation
- Framing error
- CRC error

AUTOUPDATE OFF                (E)xit (A)uto(U)pdate (B)ack (L)oopbacks

```

**Figure 25.** Troubleshooting with Errored Seconds Values

Press **N** or **O** (in **LOS**) to view the 24-hour DS1 and HDSL unavailable seconds values for the circuit (Figure 26).

```

TIME: 01:35:12                TROUBLESHOOTING with 24 HOUR UAS
DATE: 09/20/99                CIRCUIT ID#:
135 | | 013 002 | | 022 002 | | 178 001 | | 030 002 | | 019 001 | |
>>> | | ===== | | ===== | | ===== | | ===== | | ===== | | >>>
<<<< | | ===== | | ===== | | ===== | | ===== | | ===== | | <<<<
NTWK  HLU      HDU1    HDU2    HDU3    HDU4    HRU      CUST
                24 HOUR DS1 AND HDSL UNAVAILABLE SECONDS

An N symbol on the graph indicates an HDSL unavailable second has occurred.
An LOS symbol on the graph indicates a loss of signal has occurred.
The maximum value can be displayed is 999.

Some causes of HDSL unavailable seconds: Shorts, interference, noise

Some causes of DS1 unavailable seconds: Loss of Signal

AUTOUPDATE OFF                (E)xit (A)uto(U)pdate (B)ack (L)oopbacks

```

**Figure 26.** Troubleshooting with Unavailable Seconds Values

# TROUBLESHOOTING

This section provides information about system alarms and loopback testing. In addition to these troubleshooting aids, the Maintenance Terminal provisioning interface includes troubleshooting screens (see “View Troubleshooting Screen” on page 36) that provide a basic graphical analysis of system problems.

## SYSTEM ALARMS

Table 12 lists possible HLU-231 List 8D alarm states and the corresponding front panel messages. More than one alarm condition can exist at any given time, but only one message can be displayed. In this case only the highest priority alarm is displayed.

Table 12. HDSL System Alarms

Front Panel Message	Alarm State	Description	To Inhibit:
ALRM LOSW	Loss of Sync Word <sup>(a)</sup>	One of the HDSL loops has lost synchronization.	Cannot be inhibited.
ALRM LLOS	Local Loss of Signal	Loss of the DSX-1 input signal.	Cannot be inhibited.
ALRM RLOS	Remote Loss of Signal	Loss of the HRU DS1 input signal.	Disable the RDA (Remote DS1 Alarm) option. This prevents an LOS condition at the DS1 input to an HRU from closing the alarm contacts (pins 20 and 21 on the card-edge connector). The front panel Status LED still flashes red and the ALRM RLOS message displays to alert you of the LOS state. LOS is sent towards the network from the HLU. This option prevents the common occurrences of a CPE LOS condition from generating recurring alarms and AIS payloads.
ALRM R(L)AIS <sup>(b)</sup>	Remote (or Local) Alarm Indicating Signal	Indicates an AIS pattern of all ones is being transmitted (XMT) from the remote (or local) T1 output port.	Set LBPK option to ENA or DIS.
ALRM MAL1 or ALRM MAL2	Margin Alarm Loop1 or Margin Alarm Loop2	The margin on HDSL Loop 1 or Loop 2 has dropped below the minimum threshold value set by the terminal MARGIN ALARM THRES.	Set the Margin Alarm Threshold option to 0 (zero).
ALRM BER	Bit Error Rate exceeded	The combined T1 and HDSL BER has exceeded the set threshold limits of 10 <sup>-6</sup> or 10 <sup>-7</sup> .	Select NONE for the BER system option.
NONE	No alarm	No current alarm condition.	Cannot be inhibited.

(a) When both HDSL loops lose sync word (LOSW), a system alarm condition exists. However, since the HLU-231 enters a self-test cycling mode, the front panel LED lights yellow instead of red and the SELF TEST message displays instead of the ALRM message.

(b) This message is reported in the Span Status screens, but not on the front panel display.

## Alarm Option for DLC Feed

To improve HiGain compatibility with the switch-to-protect features used in DLC feeder applications, the HLU-231 has an Alarm Pattern Option (ALMP) that allows you to select either an AIS or LOS T1 output payload for the following alarms:

- LOSW on any loop
- T1 LOS.

## Retiring System Alarms

To retire a system alarm, press the SEL button and execute an Alarm Cut Off (ACO). An ACO turns the alarm off and replaces the ALRM message with an ACO message. The second part of the ALRM message, which defines the cause of the alarm, remains. Both parts of the message remain until the alarm condition clears or another higher priority alarm occurs.

## Self Test

The Self Test mode that occurs when both HDSL loops are not in sync has been enhanced to include the input DS1 transceiver chip. The Self Test procedure can cause the all ones pattern, which is normally transmitted from the HLU-231 during these out-of-sync intervals, to exhibit occasional BPVs.

## LOOPBACK OPERATION

HiGain has a fixed A5LB Addressable Repeater Loopback (Figure 27) for analyzing circuit functionality. The loopback signal is transmitted and returned to the sending device for comparison. This allows you to verify the integrity of the HDSL channels to the HLU, the HLU DSX-1 interface, and the DS1 channels to the customer.

Loopback commands are located in Table 14 on page 46 and can be initiated by:

- Selecting the loopback type using the MODE and SEL buttons on the HLU (or the Manual Loopback button on the HRU).
- Selecting the loopback type from the Maintenance Terminal Main Menu when connected to the craft port of the HLU or HRU.
- Entering the loopback code into the test equipment connected to the HLU or HRU.

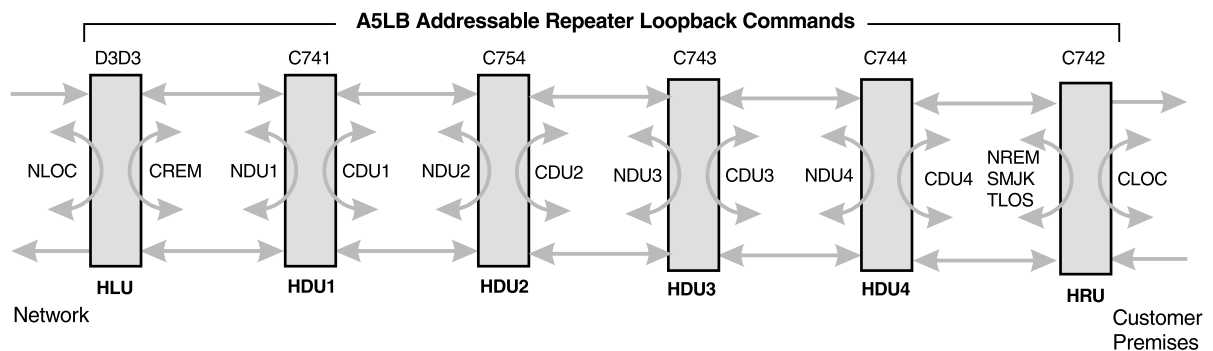


Figure 27. Loopback Summary

**Table 13. Summary of HiGain Loopback Codes**

Loopback	Code	Description	Method of Transmission		
			Test Set	Craft Port	MODE/SEL
ARM	11000. . . 2-in-5	NI LPBK	X		
SMJK LpUp (PL)	11000 2-in-5	SmartJack Loopup or NID payload (PL) code. Invokes HRU loopback towards network.	X		
SMJK LpUp (ESF-DL)	1111-1111-0100-1000	SmartJack Loopup or NID (ESF-DL) code. Invokes HRU loopback towards network.	X		
DISARM	11100. . . 3-in-5	IR LPDN	X		
SMJK LpDn (PL)	11100 3-in-5	SmartJack Loopdown or NID payload (PL) code. Removes SMJK, NLOC, NREM, CREM, CLOC, CDUX, and NDUX.	X		
SMJK LpDn (ESF-DL)	1111-1111-0010-0100	SmartJack Loopdown or NID (ESF-DL) code. Removes SMJK, NLOC, NREM, CREM, CLOC, CDUX, and NDUX.	X		
NLOC and CREM	D3D3	IOR LPBK (231 ± 2 bit errors)	X	X	X
NDU1 and CDU1	C741	ILR-1 LPBK (10 bit errors)	X	X	X
NDU2 and CDU2	C754	ILR-20 LPBK (200 bit errors)	X	X	X
NDU3 and CDU3	C743	ILR-3 LPBK (30 bit errors)	X	X	X
NDU4 and CDU4	C744	ILR-4 LPBK (40 bit errors)	X	X	X
NREM and CLOC	C742	ILR-2 LPBK (20 bit errors)	X	X	X



HiGain systems feature the SmartJack option, which can emulate a Network Interface Device (NID) for the purpose of loopback testing of the HiGain circuit. SMJK and NREM loopbacks perform the same functions but their initiation differs. SMJK indicates that the loopback was initiated by the 2-in-5 inband command. NREM, on the other hand, is initiated by the 3-in-7 inband command or by a command issued from the maintenance terminal or the MODE and SEL buttons.

Use the inband commands to enable or disable the SMJK loopback options. The HLU-231 system setting is normally enabled to recognize all inband SmartJack loopback commands.

## A5LB Loopback Commands

A5LB is a specific, addressable, repeater loopback mode which is supported by the HLU-231 List 8D. This loopback mode provides the HiGain system with sophisticated maintenance and troubleshooting tools. The A5LB is patterned after the Teltrend Mod 1 addressable T1 repeater loopbacks and has been enhanced to handle the specific requirements of the following HiGain customers:

- Southern New England Telephone (SNET)
- Southwestern Bell
- Pacific Bell.

The A5LB loopback selection complies with that proposed for HDSL systems in the T1E1.4/92 recommendation with the following additions:

- Query loopback
- IOR (Intelligent Office Repeater) powerdown
- Four loopback time-out choices
- Initiation from either end
- Repeating bit error signatures
- Alternate query loopback.

A5LB blocks the arming code from exiting the HLU-231 into the network. By arming the system from the remote unit, the A5LB can be configured to do one of the following:

- Block the arming code (after 2 seconds) from exiting the HLU into the network and replace it with the AIS code.
- Unblock the AIS code by executing the Far-End Activate code. (Since A5LB never blocks the arming code from exiting the HLU, the Far-End Activate code is not available in A5LB.)



**A HiGain system may be delayed in responding to inband loopback commands when the framing mode is set to UNFR and the inband commands are set in either SF or ESF mode. The frame bits override the command bits and cause errors in the command sequence. These errors cause the HiGain system to reject some sequences.**

## Manual Loopback Session

A manual loopback session allows you to select any one of the HiGain A5LB loopbacks listed in [Table 13 on page 42](#) with the exception of SmartJack loopbacks, which can only be issued by inband commands.

### Setting the Loopback Time-out Option

Before initiating a loopback session, verify that the Loopback Time-out parameter is set to the desired setting.

- 1 Use the MODE and SEL buttons as described in [“Setting Options through MODE and SEL” on page 11](#).  
(The Loopback Time-out parameter is also user-selectable from the System Settings screen when using a maintenance terminal.)
- 2 Enter the desired setting:
  - a NONE (no time-out)
  - b 20 minutes
  - c 60 minutes
  - d 120 minutes (default setting).

## Initiating a Manual Loopback Session



With the exception of SmartJack, any of the HiGain loopbacks can be executed using the **MODE** and **SEL** buttons.

When executing a manual loopback session using the **MODE** and **SEL** buttons:

- The next loopback option can be presented by pressing the **MODE** button; however, the previously activated loopback remains active until the **SEL** button is pressed, which activates the new loopback.
- If neither button is pressed for a period of 30 seconds and no loopback is in effect, the manual loopback session terminates and the display returns to normal mode.
- If any loopback is in effect, the 30-second time-out is inhibited. The active loopback and the manual loopback session continue until the loopback times out in accordance with the **LBTO** setting.
- Only the **SMJK** loopback can exist with other network loopbacks at any given time.
- If there is an active loopback, pressing the **MODE** and **SEL** buttons for 3 or more seconds terminates any active loopback, ends the manual loopback session and returns the display to normal mode.

To initiate a manual loopback session:

- 1 Press both the **MODE** and **SEL** buttons on the front panel for at least 3 seconds. The message **MAN LPBK NLO?** appears on the front panel display:
- 2 Press **SEL** to activate **NLOC**. The display changes to **MAN LPBK NLOC**.
- 3 Press **MODE** to advance to the next available loopback (**ND1?** **ND2?** **ND3?** **ND4?** **NRE?** **CRE?** **CD1?** **CD2?** **CD3?** **CD4?** **CLO?**).
- 4 Press **SEL** to activate the selected loopback. The previous loopback is terminated.

Once a loopback is selected and activated, the loopback stays active until it times out (based on the **LBTO** setting). When a loopback times out, the display then returns to the normal display mode.

You can terminate loopbacks manually and exit the **MAN LPBK** mode by simultaneously pressing the **MODE** and **SEL** buttons for 3 or more seconds. If no loopback is active, the **MAN LPBK** mode automatically terminates after 30 seconds.

All loopbacks can be initiated by inband commands in the **T1** payload or by a command from the HiGain system (front panel buttons or maintenance screen selections). When a loopback is active, the method by which it was activated is indicated in the Loopback and Status screens by the annotation **HG** (HiGain) or **PL** (Payload) adjacent to the identified loopback. For example, **NREM (HG)** indicates that the loopback was initiated by the HiGain system.



**SMJK** loopback commands are only activated by inband commands.

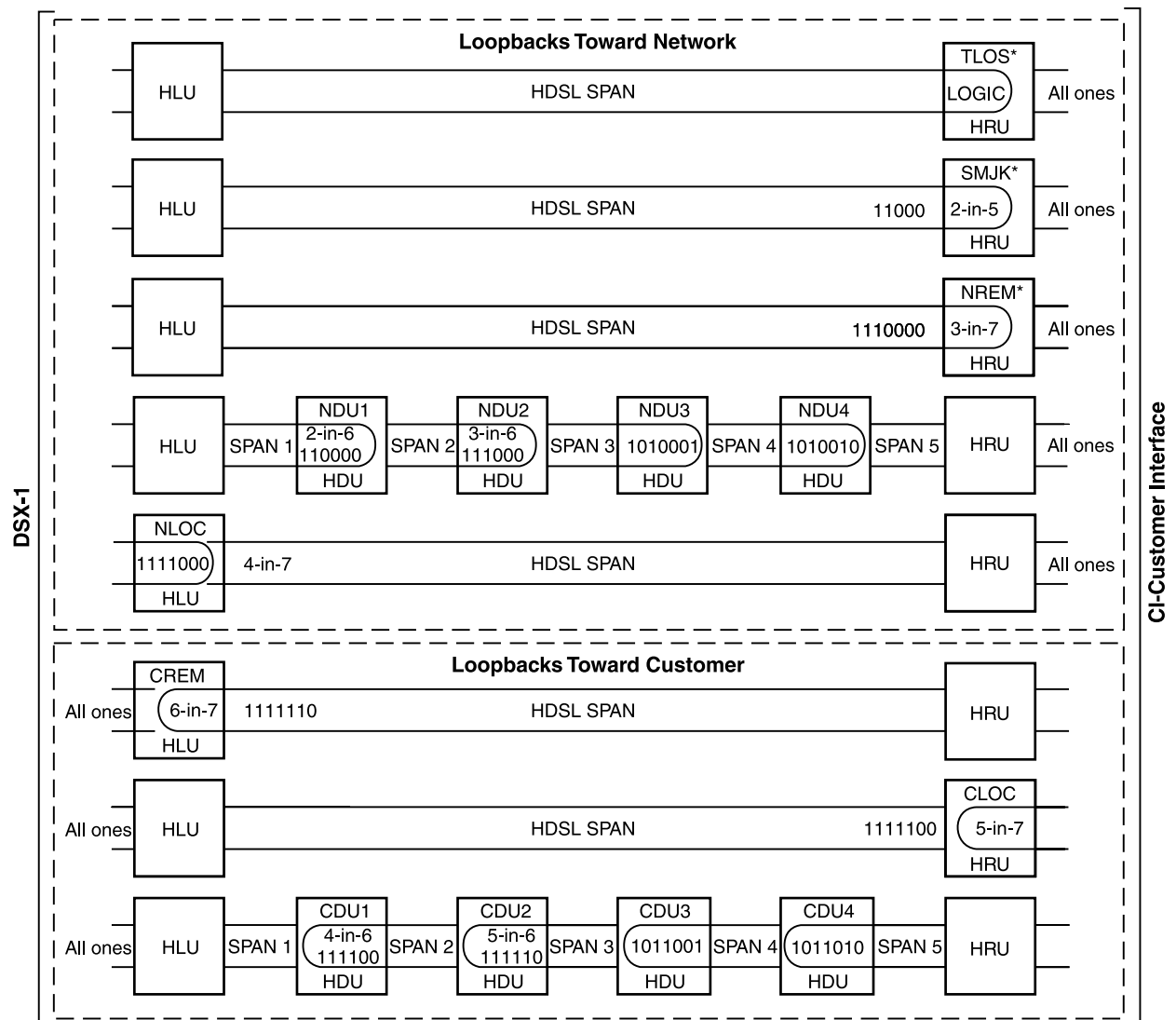
# LOOPBACK TEST PROCEDURES

The following sections provide step-by-step test procedures for verifying the integrity of the HDSL channels at every module location as well as the DS1 channels to the customer and the local DSX-1 interface.

## General Troubleshooting Tips

If trouble is encountered on the DSX-1 interface of the HLU-231 List 8D, verify that the:

- HLU is making a positive connection with its mounting assembly (shelf) connector.
- HLU internal equalizer is set to the correct distance range per [Table 8 on page 21](#). All equalizers should be set to the distance from the DSX-1 to the shelf.



\* Set the SAIS option to ENA to send AIS (indicated by an all ones pattern) to the CI during SmartJack loopback, NREM, and TLOS. Use the 3-in-5 code to loop down.

Figure 28. Loopback Configurations

## A5LB Test Procedures

Using the codes listed in Table 14, a network tester can activate NLOC, NDU or NREM loopbacks (or SMJK, if enabled). A tester at the customer premises can activate CLOC, CDU or CREM loopbacks. All loopbacks shown in Table 14 can also be initiated from the HLU-231 front panel MODE and SEL buttons (see “Setting Options through MODE and SEL” on page 11). Information specific to HiGain doublers is shown in bold type.

**Table 14. Addressable Repeater Loopback Commands (A5LB)**

<b>Name</b>	<b>Description</b>	<b>Binary Code <sup>(a)</sup> (Hexadecimal Equivalent)</b>
ARMING or NI LPBK (inband)	Arming code	11000-11000 ...
ARMING or NI LPBK (ESF Data Link)	Arming code	1111-1111-0100-1000 (FF48)
IR LPDN or DISARM (inband)	Disarming code	11100-11100 ...
IR LPDN or DISARM (ESF Data Link)	Disarming code	1111-1111-0010-0100 (FF24)
IOR LPBK (NLOC and CREM 230-232 bit errors and 229-231 bit errors) <sup>(b)</sup>	HLU loopup	1101-0011-1101-0011 (D3D3)
<b>ILR-1 LPBK (NDU1 and CDU1 10 bit errors) <sup>(b)</sup></b>	<b>HDU1 loopup</b>	<b>1100-0111-0100-0001 (C741)</b>
<b>ILR-20 LPBK (NDU2 and CDU2 200 bit errors)</b>	<b>HDU2 loopup</b>	<b>1100-0111-0101-0100 (C754)</b>
<b>ILR-3 LPBK (NDU3 and CDU3 30 bit errors)</b>	<b>HDU3 loopup</b>	<b>1100-0111-0100-0011 (C743)</b>
<b>ILR-4 LPBK (NDU4 and CDU4 40 bit errors)</b>	<b>HDU4 loopup</b>	<b>1100-0111-0100-0100 (C744)</b>
<b>ILR-2 LPBK (NREM and CLOC 20 bit errors)</b>	<b>HRU loopup</b>	<b>1100-0111-0100-0010 (C742)</b>
IR LPDN	Loopdown (HLU, HDU, or HRU)	1001-0011-1001-0011 (9393)
IR QUERY LPBK	Query loopback	1101-0101-1101-0101 (D5D5)
IR ALTERNATE QUERY LPBK	Alternate query loopback	1101-0101-1110-1010 (D5EA)
TIME-OUT OVERRIDE	Loopback time-out override	1101-0101-1101-0110 (D5D6)
IOR POWER DOWN (HLU) <sup>(c)</sup>	Removes HDSL line power	0110-0111-0110-0111 (6767)

- (a) The left most bit arrives first in all sequences. The detection algorithm functions reliably with a random  $10^{-3}$  Bit Error Ratio (BER) on the facility. The entire arming and loopback sequence can also be initiated at the remote HRU location.
- (b) The HRU identifies CREM (and the HLU identifies NLOC) with 231 bit errors, including the frame bits. When framed data is being sent in the AUTO framing mode, the number of the 231 bit errors detected by the test set varies from 229 to 231, depending on whether or not the test set counts frame errors as bit errors, and on the number of frame bits contained in the block of 231 error bits. The HRU and HLU generate this bit pattern in a series of discontinuous bursts containing 20-bit errors each, including frame bits. Those test sets that do not count frame error bits as data bit errors will indicate fewer bits than the HRU and HLU transmit for a CI and NI loopback.
- (c) The IOR Power Down code must remain present for the duration of the power down mode. When this code is removed, the HiGain system returns to its normal unlooped and unarmed state.



To perform the A5LB test procedures:

- 1 Send the inband Arming and NI LPBK code 11000 to the HLU-231 for at least 5 seconds.
- 2 Monitor the output of the HLU-231 for the return of the pattern. Return of the pattern indicates one of the following:
  - a The HRU has looped up (if the SMJK Loopback option is Enabled).
  - b An external NI has looped up (if the SMJK Loopback option is Disabled), and the HLU and HRU have been armed.
- 3 Verify, if possible, that the HRU Loopback LED is either flashing yellow at 4-second intervals (indicating that the system is armed), or is a steady yellow (indicating that it is both armed and in SMJK loopback). The HLU Status LED also flashes yellow when the system is armed.
- 4 Once armed, the HLU-231 can be looped back by sending Intelligent Office Repeater (IOR) LPBK activation code 1101-0011-1101-0011 (D3D3) for at least 5 seconds. You should observe the following activation response pattern:
  - a 2 seconds of AIS (identified by an all ones pattern)
  - b 2 seconds of returning data pattern
  - c 231 logic errors (including the frame bit) occurring in the returned pattern comprising:
    - 10 errors, if ILR-1 (Doubler 1) was sent
    - 200 errors, if ILR-20 (Doubler 2) was sent
    - 30 errors, if ILR-3 (Doubler 3) was sent
    - 40 errors, if ILR-4 (Doubler 4) was sent
    - 20 errors, if ILR-2 (HRU) was sent
  - d Normal looped data.

This error pattern repeats every 20 seconds as long as the IOR loopback pattern is being sent. This also applies to ILR, Time-out Override, and Query commands.

The HLU is now in logic loopback if the IOR NLOC loopback command was sent. The Time-out Override command or a Loopdown command can override the selection made for the loopback time-out (see [“Setting the Loopback Time-out Option”](#) on page 43). If the Time-out Override code 1101-0101-1101-0110 (D5D6) is received after activating a loopback, then the automatic timed expiration of the loopback is inhibited. If this Time-out Override is sent, then the only way to loop the HLU-231 down is to do one of the following:

- Issue the IR (Intelligent Repeater) LPDN (loopdown) code 1001-0011-1001-0011 (9393).
- Issue the NI LPDN and Disarm inband code 11100 or the ESF-DL code (FF24).



**The Time-out Override function is only valid for the current active loopback. The automatic Time-out timer is restored during subsequent loopback sessions.**

- 5 Once the test is complete, do one of the following:
  - a If the system is to loopdown but remain Armed, send the IR (Intelligent Repeater) LPDN code (universal loopdown).
  - b If all the equipment is to be looped down, disarmed and returned to normal operation, send the disarm inband code 11100 or the ESF-DL code (FF24).



The Armed mode has an automatic time-out of 120 minutes but this timer is reset to 120 for any of the following events:

- Loopback terminates (manually or time-out)
- Query
- Alternate query
- Far end activate
- Another ARM command.

This timer is inhibited while any of the valid command codes are being sent. Once the codes are removed, the timer restarts at 120.

# APPENDIX A - SPECIFICATIONS

This appendix provides general specifications, pinout diagrams for the craft port and card-edge connector, HDSL insertion loss guidelines, and power consumption and dissipation tables.

<b>HDSL Line Code</b>	784 kbps 2B1Q
<b>HDSL Output</b>	+13.5 dBm $\pm$ 0.5 dB at 135 $\Omega$
<b>HDSL Line Impedance</b>	135 $\Omega$
<b>Maximum Provisioning Loss</b>	35 dB at 196 kHz, 135 $\Omega$
<b>Line Clock rate</b>	Internal "Stratum 4" clock
<b>HDSL Start-up Time</b>	30 sec (typical), 60 sec (maximum) per span
<b>One-way DS1 Delay</b>	<200 $\mu$ s per span without doublers. Doubler delay <80 $\mu$ s.
<b>DSX-1 Line Impedance</b>	100 $\Omega$
<b>DSX-1 Pulse Output</b>	6 V <sup>pk-pk</sup> , pre-equalized for 0 to 655 feet of ABAM cable
<b>DSX-1 Input Level</b>	+1.5 to -7.5 dB DSX
<b>DS1 Line Rate</b>	1.544 Mbps $\pm$ 200 bps
<b>DS1 Line Format</b>	AMI or B8ZS
<b>DS1 Frame Format</b>	ESF, SF
<b>Maximum Heat Dissipation</b>	See "Power Consumption" on page 50.
<b>Fusing</b>	Internal; connected to Fuse Alarm output on pin 32.
<b>HDSL Span Voltage</b>	-140 V or $\pm$ 112 Vdc
<b>Electrical Protection</b>	Secondary surge and power cross protection on HDSL ports. Requires external primary protection.
<b>Operating Temperature</b>	-40 °F to +149 °F (-40 °C to +65 °C)
<b>Operating Humidity</b>	5% to 95% (non-condensing)
<b>Mounting</b>	220 mechanics shelves
<b>Dimensions</b>	
Height:	5.9 in (15 cm)
Width:	1.4 in (3.5 cm)
Depth:	10 in (25.4 cm)
Weight:	.62 lb (.28 kg)
<b>Wander (Looped)</b>	0.3 UI maximum (1 UI = 648 ns)
<b>WB Jitter (Looped)</b>	0.2 UI maximum
<b>NB Jitter (Looped)</b>	0.1 UI maximum

## HDSL INSERTION LOSS GUIDELINES

Each loop has no more than 35 dB of loss at 196 kHz, with driving and terminating impedances of 135  $\Omega$ . [Table 15](#) provides a “loss” guide for the various cable gauges at 196 kHz and 135  $\Omega$ . The table applies to the HDSL cable pairs between the HLU, HRU, and HDU modules. In the absence of specific insertion loss measurement data, add 3 dB for each bridged tap and 1 dB for each cable gauge change.

*Table 15. HDSL Loss Over Cables*

Cable Gauge (AWG/mm)	Loop Loss <sup>(a)</sup> (dB/kft)	Loop Resistance ( $\Omega$ per kft)
26/0.4	3.88	83
24/0.51	2.84	52
22/0.61	2.18	32
19/0.91	1.54	16

(a) At 196 kHz, 68°F (20°C)



A Windows-based program, **Cable Calculator**, may be downloaded from the Customer Site portion of PairGain’s web site at [www.pairgain.com](http://www.pairgain.com). If you don’t have a customer password, contact your sales representative.

## POWER CONSUMPTION

The maximum power consumption and heat dissipation depends upon the type of remote and doubler units in the system and the CPE power setting.

### Power Consumption without Doublers

The three most important power parameters of an HLU are its maximum power consumption, its maximum power dissipation and its maximum current drain.

[Table 16](#) describes line-powered circuits on 9 kft, 26 AWG loops without a doubler.

*Table 16. Power Parameters—No Doubler*

HRU Model No.	HRU CPE Power	42.5 V Power Consumption (Watts)		Heat Dissipation (Watts)		42.5 V Current (mA)	
		Typical	Maximum	Typical	Maximum	Typical	Maximum
HRU-412 List 1, 2, 3, 4	ON	12.0	13.2	5.1	5.6	284	312
HRU-412 List 1, 2, 3, 4	OFF	11.0	12.1	5.0	5.5	260	286
HRU-412 List 6, 7, 8	ON	12.6	13.9	5.2	5.7	297	327
HRU-412 List 6, 7, 8	OFF	9.7	10.7	4.5	4.9	228	251
HRU-402	N/A	7.7	8.5	4.5	4.9	182	200
HRU-411 <sup>(a)</sup>	ON	21.0	23.1	6.3	6.9	495	544
HRU-411	OFF	8.2	9.0	5.2	5.7	193	212

(a) HLU-231 PWRP option set to HIGH.

## Power Consumption with Doublers

Table 17 through Table 23 list the power consumed and dissipated by the HLU-231 List 8D when it is used with any of the four basic doubler types in the HiGain family. The maximum current drawn by the CO supply is also listed.

Table 17 through Table 19 shows power parameters for single doubler, line-powered circuits on 9 kft, 26 AWG loops.

**Table 17. Power Parameters—Single Doubler (HDU-451 List 1 or 2)**

HRU Model No.	HRU CPE Power	42.5 V Power Consumption (Watts)		Heat Dissipation (Watts)		42.5 V Current (mA)	
		Typical	Maximum	Typical	Maximum	Typical	Maximum
HRU-412 List 1, 2, 3, 4	ON	27.5	30.3	7.6	8.4	646	711
HRU-412 List 1, 2, 3, 4	OFF	25.9	28.5	7.2	7.9	610	671
HRU-412 List 6, 7, 8	ON	27.7	30.5	7.6	8.4	651	716
HRU-412 List 6, 7, 8	OFF	24.3	26.7	7.1	7.8	571	628
HRU-402	N/A (OFF)	21	23.1	6.3	6.9	494	543
HRU-411	OFF	20	22.0	6.2	6.8	471	518

**Table 18. Power Parameters—Single Doubler (HDU-439 or HDU-437 Lists 1 and 1B)**

HRU Model No.	HRU CPE Power	42.5 V Power Consumption (Watts)		Heat Dissipation (Watts)		42.5 V Current (mA)	
		Typical	Maximum	Typical	Maximum	Typical	Maximum
HRU-412 List 1, 2, 3, 4	ON	22.3	24.5	7.9	8.6	525	578
HRU-412 List 1, 2, 3, 4	OFF	21.4	23.5	7.8	8.5	502	552
HRU-412 List 6, 7, 8	ON	22.3	24.5	8.0	8.8	524	576
HRU-412 List 6, 7, 8	OFF	19.2	21.1	7.3	8.1	452	497
HRU-402	N/A (OFF)	16.0	17.6	6.7	7.4	376	414
HRU-411	OFF	15.6	17.2	6.7	7.4	367	404

**Table 19. Power Parameters—Single Doubler (HDU-409 List 2)**

HRU Model No.	HRU CPE Power	42.5 V Power Consumption (Watts)		Heat Dissipation (Watts)		42.5 V Current (mA)	
		Typical	Maximum	Typical	Maximum	Typical	Maximum
HRU-412 List 1, 2, 3, 4	ON	18.8	20.7	7.0	7.7	442	486
HRU-412 List 1, 2, 3, 4	OFF	18.0	19.8	7.1	7.8	424	466
HRU-412 List 6, 7, 8	ON	18.4	20.2	6.9	7.6	433	476
HRU-412 List 6, 7, 8	OFF	15.7	17.3	6.8	7.4	370	407
HRU-402	N/A (OFF)	12.5	13.8	5.9	6.5	294	323
HRU-411	OFF	12.0	13.2	5.8	6.4	283	311

Table 20 through Table 22 show power parameters for two doubler, line-powered circuits on 9 kft, 26 AWG loops.

**Table 20.** Power Parameters—Two Doublers (HDU-451 List 3, 4, 3B or 4B)

HRU Model No.	HRU CPE Power	42.5 V Power Consumption (Watts)		Heat Dissipation (Watts)		42.5 V Current (mA)	
		Typical	Maximum	Typical	Maximum	Typical	Maximum
HRU-402	N/A (OFF)	28.3	31.1	8.3	9.1	665	732
HRU-411	OFF	28.1	30.9	8.2	9.0	661	727

**Table 21.** Power Parameters—Two Doublers (HDU-439 or HDU-437 Lists 1 and 1B)

HRU Model No.	HRU CPE Power	42.5 V Power Consumption (Watts)		Heat Dissipation (Watts)		42.5 V Current (mA)	
		Typical	Maximum	Typical	Maximum	Typical	Maximum
HRU-412 List 1, 2, 3, 4	OFF	30.3	33.3	8.0	8.8	713	784
HRU-412 List 6, 7, 8	OFF	28.1	30.9	7.7	8.5	660	726
HRU-402	N/A (OFF)	24.8	27.3	7.2	7.9	584	642
HRU-411	OFF	27.7	30.5	7.5	8.3	652	717

**Table 22.** Power Parameters—Two Doublers (HDU-409 List 2)

HRU Model No.	HRU CPE Power	42.5 V Power Consumption (Watts)		Heat Dissipation (Watts)		42.5 V Current (mA)	
		Typical	Maximum	Typical	Maximum	Typical	Maximum
HRU-412 List 1, 2, 3, 4	ON	24.4	26.8	7.2	7.9	575	633
HRU-412 List 1, 2, 3, 4	OFF	22.1	24.3	6.8	7.5	520	572
HRU-412 List 6, 7, 8	ON	25.9	28.5	7.4	8.1	609	670
HRU-412 List 6, 7, 8	OFF	20.2	22.2	6.4	7.0	476	524
HRU-402	N/A (OFF)	17.4	19.1	7.1	7.8	410	451
HRU-411	OFF	16.5	18.2	6.0	6.6	389	428

Table 23 shows power parameters for three doubler, line-powered circuits or four doubler, locally powered circuits on 9 kft, 26 AWG loops.

**Table 23.** Power Parameters—Three and Four Doublers (HDU-409 List 2)

HRU Model No.	HRU CPE Power	42.5 V Power Consumption (Watts)		Heat Dissipation (Watts)		42.5 V Current (mA)	
		Typical	Maximum	Typical	Maximum	Typical	Maximum
HRU-402, 3-doubler, line-powered	N/A (OFF)	22.9	25.2	8.1	8.9	539	593
HRU-402, 4-doubler, locally powered	N/A (OFF)	23.7	26.1	8.0	8.8	557	613

## MAXIMUM POWER DISSIPATION

The Maximum Power Dissipation measures the power that is converted into heat that builds up within the unit. It contributes to the total heat generated in the space around the unit. It is used to determine the maximum number of fully loaded shelves per bay that does not exceed the maximum allowable power dissipation density in watts per square foot to comply with GR-63.

In COs, the maximum power dissipation for open-faced, natural convection-cooled mountings is limited to 134.7 watts per square foot per GR-63-CORE. The footprint of a standard 28-slot, 23-inch HCS-417 shelf is 7.024 square feet, so the maximum bay dissipation is limited to 946 watts. Use this limit and the parameters in [Table 16 \(page 50\)](#) through [Table 23 \(page 52\)](#) to determine the maximum number of HLU circuits that can occupy one CO bay.



**This is a worst case situation since it assumes the entire CO is subjected to the maximum power density. More favorable conditions would permit increasing the number of shelves per bay without jeopardizing the CO thermal integrity.**

The thermal loading limitations imposed when using the HLU in a Controlled Environmental Vault (CEV) or other enclosures are determined by applying its power parameters to the manufacturer's requirements for each specific housing.

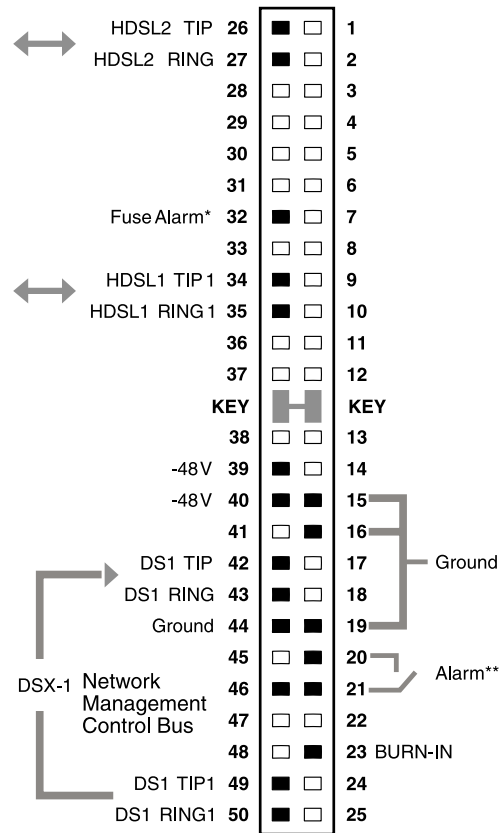
The 42.5 V Power Consumption is the maximum total power that the HLU-231 consumes or draws from the shelf power source. This parameter is needed when the HLU-231 is in a location remote to the CO it is serving. It determines the battery capacity required to maintain an 8-hour, stand-by battery reserve for emergency situations. Battery capacity, therefore, limits the maximum number of line units which can be installed in a remote enclosure. Use the data in [Table 16 \(page 50\)](#) through [Table 23 \(page 52\)](#) to perform this analysis on a case-by-case basis.

## MAXIMUM CURRENT DRAIN

The Maximum Current Drain is the maximum current drawn from the shelf power supply when it is at its minimum voltage (-42.5 V). This determines the shelf fusing requirements. Use the 42.5 V current data in [Table 16 \(page 50\)](#) through [Table 23 \(page 52\)](#) to determine the shelf fusing requirements for your particular HLU applications.

# HLU-231 LIST 8D CARD CONNECTOR

Figure 29 shows the card-edge connector on the HLU-231 List 8D. Active pins are highlighted in black.



\* Fuse alarm is normally floating and at -48 V when activated.

\*\* System minor alarm contacts (pins 20 and 21) are normally open and close upon alarm.

Figure 29. HLU-231 List 8D Card-edge Connector

## Network Management Control Bus

The HLU-231 List 8D provides a Network Management Control Bus on pin 46 of the card-edge connector. This allows the various PairGain Management System protocols to manage the HLU through the HMU-319 HiGain Management Unit. When the HLU-231 is under management, the MNGD message displays periodically on the HLU-231 List 8D front panel display.



**Some HLU-231 List 8D features are affected when it is under management. Consult the management unit practice for further information.**



## Fuse Alarm

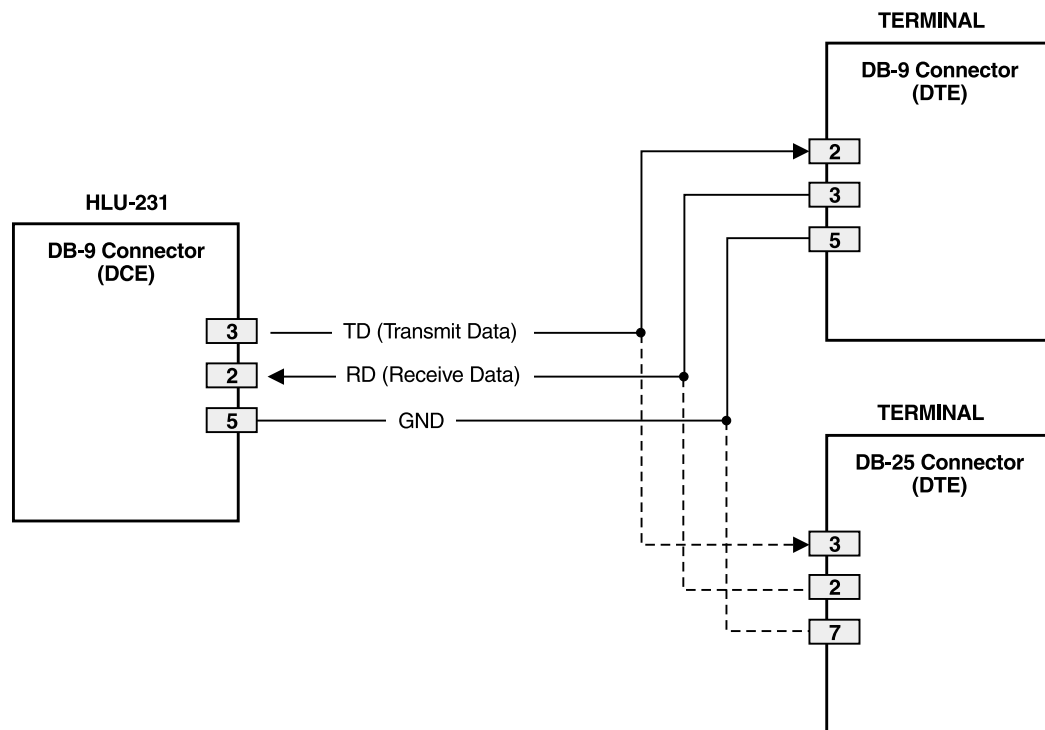
Pin 32 on the card-edge connector is a Fuse Alarm that is driven to -48 V through a 1000  $\Omega$  resistor when the onboard fuse opens.

## System Alarm Relay Output

The normally open alarm contacts available across pins 20 and 21 (Figure 29 on page 54) comprise the HLU-231 List 8D system alarm output. These alarm contacts close for any system alarms condition. (See “Troubleshooting” on page 40 for further information.)

## CRAFT PORT

Figure 30 shows the pinout for the craft port connector and its connection to a DB-9 or DB-25 connector on a maintenance terminal.



**Figure 30.** RS-232 Craft Port Pinouts

# APPENDIX B - FUNCTIONAL OPERATION

PairGain HDSL technology provides full-duplex services at standard T1 rates over copper wires between an HLU and an HRU, which comprise one HiGain system. HiGain systems use PairGain 2-Binary 1-Quaternary (2B1Q) HDSL transceiver systems to establish two, full-duplex, 784 kbps data channels between the HLU-231 and a remotely located HDU or HRU. This provides a total capacity of 1.568 Mbps between the two units.

A block diagram of the HLU-231 is shown in Figure 31. The HLU-231 receives a 1.544 Mbps DSX-1 data stream from the DSX-1 digital cross connect interface. The HLU-231 contains a DS1 frame synchronizer controlled by an 8-bit microprocessor that determines the type of framing on the DS1 stream and synchronizes to it. The HLU-231 recognizes Superframe (SF), including D4, or Extended Superframe (ESF) framing. When the data is unframed, the HLU-231 arbitrarily defines a frame bit.

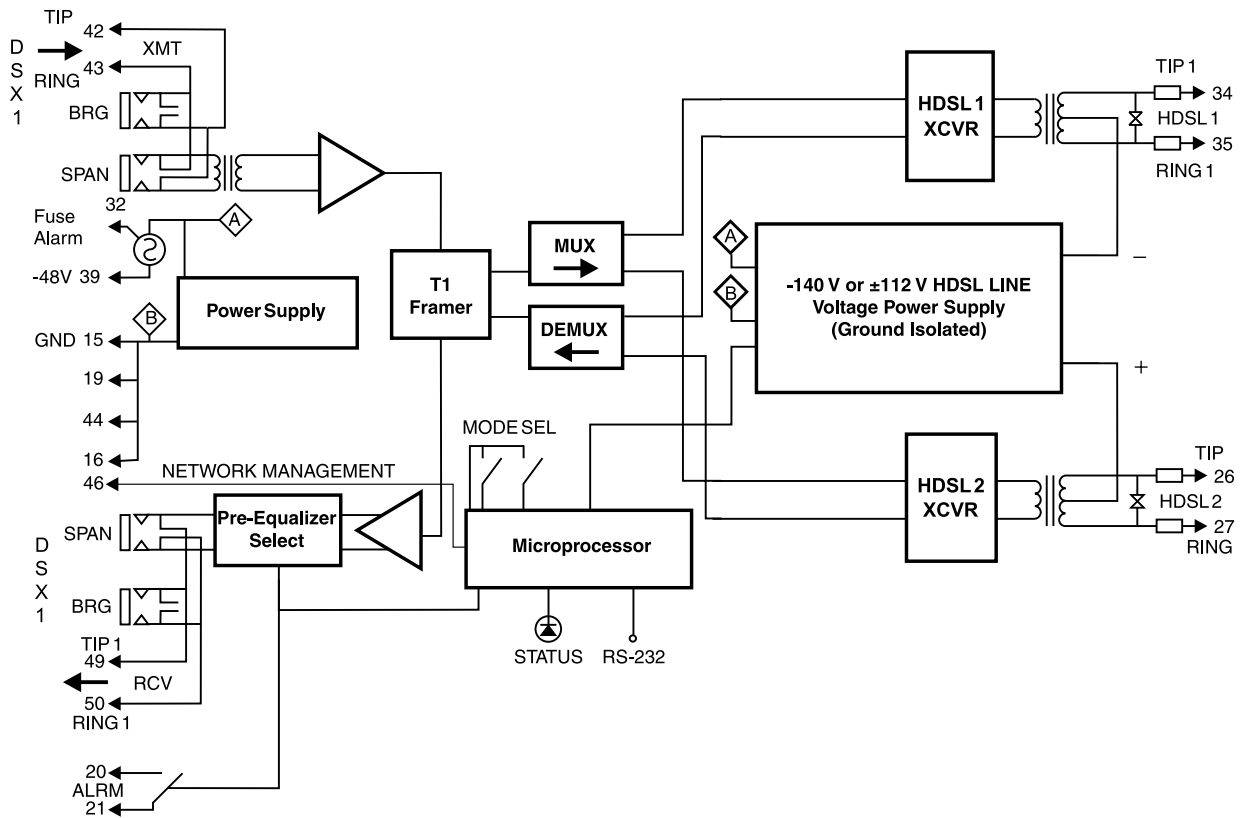


Figure 31. HLU-231 List 8D Block Diagram

## TIMING

The low loop wander (0.3 UI max) of an HLU-231 List 8D, when used with compatible doublers (HDU-409, HDU-404 or HDU-407) and remote units (HRU-402 or HRU-411), allows the circuit to be used in all critical timing applications, including those that are used to transport Stratum 1 timing.

## GROUND FAULT DETECT

The HLU-231 has a Ground Fault Detect (GFD) circuit which detects a ground or a resistive path to ground on any wire of any loop of any span with a non-zero voltage. For low voltage applications (-140 V), this circuit is active during start-up by applying the bipolar voltage to the loops. It deactivates when going to the nominal operation mode of unipolar negative voltage (0 V and -140 V). The circuit is constantly active during high voltage applications ( $\pm 112$  V).

When the circuit is active, the system is compliant with Class A2 requirements of GR-1089. When the circuit is not active, the system is compliant with Class A3 requirements of GR-1089.

When the GFD circuit detects a grounded loop, the line power is immediately removed from the spans and a PWR FEED GND alarm is generated and displayed. The power is reapplied 30 seconds later as part of a new start-up procedure. If the ground condition persists on the span, the power is removed again once the GFD circuit detects the grounded loop.

The indication of the location of the ground fault can be obtained by monitoring the voltages on the spans on the HLU side as it sequentially powers devices in subsequent spans.

# APPENDIX C - COMPATIBILITY

The HiGain system uses HDSL transmission technology as recommended by Bellcore TA-TSY-001210. The HiGain system complies with GR-63-CORE, TR-TSY-000499, and GR-1089-CORE.

## T1 REPEATER SHELVES AND RELATED EQUIPMENT

The HLU-231 List 8D is compatible with the following T1 repeater shelves and associated equipment:

- PairGain HCS-417 (23 inch)
- PairGain HCS-418 (19 inch)
- PairGain HCS-402 (2-slot)
- AT&T 220 Office Repeater Bay (ORB)
- AT&T Small Cross Section Shelf (SXSS)
- Kentrox 220
- Wescom® 342-30.



**The ALM option must be disabled (DIS) when using the Kentrox 220 T-Term shelf. This is required to resolve a conflict between the HLU alarm relay output and the Kentrox external equalizer output. Both use pins 20 and 21.**

## HIGAIN DOUBLER CIRCUIT DEPLOYMENT

All generations of HiGain HLU and HRU modules are compatible with each other. Although all HiGain doublers are backward-compatible with all prior HLU and HRU models, some of the circuit application enhancements of newer doubler models require that all circuit modules be of the same product release date in order to realize these enhancements. Enhanced doubler applications preclude the mixing of newer doubler models with older models of the HRU and HLU.

Table 24 on page 59 provides a matrix of HiGain doubler deployment rules to achieve maximum circuit enhancement. It lists:

- Maximum number of doublers allowed for a given circuit, depending upon the doubler and line unit models used to implement the circuit.
- Any restrictions on the HRU models.



**All spans are fully CSA-compliant unless otherwise specified. Circuits that use more than one type of doubler are governed by the most limiting doubler rules. For example, if the HDU-451 is used with the HDU-409, use the HDU-451 deployment rules.**

**Table 24. HiGain Doubler Deployment Matrix**

HLU Model	Maximum Number of Doublers Per Circuit <sup>(a)</sup>											
	HDU-451, List 3, 3B, 4, 4B				HDU-437, 439				HDU-404, 407, 409			
	Line Powered		Local Powered		Line Powered		Local Powered		Line Powered		Local Powered	
	I-CPE ON	I-CPE OFF	I-CPE ON	I-CPE OFF	I-CPE ON	I-CPE OFF	I-CPE ON	I-CPE OFF	I-CPE ON	I-CPE OFF	I-CPE ON	I-CPE OFF
HLU-231 Lists 3D/6D; HLU-319 List 2X; HLU-388 List 2X	1	1	2	2	1	1	2	2	1	1	2	2
HLU-231 List 7X; HLU-431 List 1D	1	1	2	2	1	2 <sup>(b)</sup>	2	2	1	2	2	2
HLU-231 List 8X HLU-319 List 5X HLU-388 List 5X	1	2 <sup>(c)</sup>	2	2	1	2	2	2	2	3 <sup>(c)</sup>	2	4 <sup>(d)</sup>
HLU-431 List 1F	0	0	1	1	0	0	1	1	1	1	1	2

(a) HRU-411 applications with I-CPE "on" are limited to single doubler circuits (HDU-404, HDU-407 or HDU-409) using HLU-231 Lists 8/8A/8D/8E, HLU-319 Lists 5/5A/5D/5E, and HLU-388 Lists 5/5A/5D/5E. The HRU-412, HDU-451, HDU-437 and HDU-439 are limited to applications with one and two doublers only.

(b) 2000  $\Omega$  maximum loop resistance. Requires HRU-412 List 7A/8A, HRU-402 or HRU-411.

(c) Requires HRU-402 or 411.

(d) Requires a locally powered HRU-402.

# APPENDIX D - PRODUCT SUPPORT

PairGain Customer Service Group provides expert pre-sales and post-sales support and training for all its products.

## TECHNICAL SUPPORT

Technical assistance is available 24 hours a day, 7 days a week by contacting PairGain Customer Service Group at:

<b>Telephone:</b>	800.638.0031 or 714.832.9922 The 800 telephone support line is toll-free in the U.S. and Canada.
<b>Fax:</b>	714.832.9924
<b>Email</b>	support@pairgain.com

During normal business hours (7:30 AM to 5:30 PM, Pacific Time, Monday through Friday, excluding holidays), technical assistance calls are normally answered directly by a Customer Service Engineer. At other times, a request for technical assistance is handled by an on-duty Customer Service Engineer through a callback process. This process normally results in a callback within 30 minutes of initiating the request.

## WORLD WIDE WEB

PairGain product and company information can be found at <http://www.pairgain.com> using any Web browser. To download PairGain product manuals from the Customer Site portion of the web page, you need to provide a customer password. If you do not have a password, contact your PairGain sales representative.

## RETURNS

To return equipment to PairGain:

- 1 Locate the number of the purchase order under which the equipment was purchased. You will need to provide this number to the RMA Department of PairGain's Sales Administration to obtain a return authorization.
- 2 Call or write the RMA Department to ask for a Return Material Authorization (RMA) number and any additional instructions. Use the telephone number, fax number or email address listed below:
  - a Telephone: 800.370.9670
  - b Fax: 714.832.9923
  - c Email Address: rma@pairgain.com
- 3 Include the following information, in writing, along with the equipment you are returning:
  - a Company name, address, the name of a person PairGain can contact regarding this equipment, and a phone number.
  - b The original purchase order number.
  - c A description of the equipment, as well as the number of units that you are returning. Be sure to include the model and part number of each unit.
  - d The shipping address to which PairGain should return the repaired equipment.
  - e The reason for the return:
    - The equipment needs an ECO/ECN upgrade.
    - The equipment is defective.



**If the equipment is defective, please tell us what you observed just before the equipment malfunctioned. Be as detailed in your description as possible.**

- If there is another reason for returning the equipment, please let us know so we can determine how best to help you.
- 4 Pack the equipment in a shipping carton.
  - 5 Write PairGain's address and the Return Material Authorization (RMA) Number you received from the RMA Department clearly on the outside of the carton and return to:

PairGain Technologies, Inc.  
14352 Franklin Ave.  
Tustin, CA 92780-7013

Attention: **RMA (Number)**



**All shipments are to be returned prepaid. PairGain will not accept any collect shipments.**

# APPENDIX E - GLOSSARY

<b>2B1Q</b>	2 Binary,1 Quaternary	<b>HCDS</b>	High Capacity Digital Service
<b>ACO</b>	Alarm Cut Off	<b>HCS</b>	HiGain Central Office Shelf
<b>AIS</b>	Alarm Indication Signal, indicating transmission of an all ones pattern	<b>HDSL</b>	High-bit-rate Digital Subscriber Line
<b>ALMP</b>	Alarm Pattern	<b>HDU</b>	HiGain Doubler Unit
<b>AMI</b>	Alternate Mark Inversion	<b>HLU</b>	HiGain Line Unit
<b>AWG</b>	American Wire Gauge	<b>HMU</b>	HiGain Management Unit
<b>B8ZS</b>	Bipolar with 8-zero Substitution	<b>HRE</b>	HiGain Remote Enclosure
<b>BER</b>	Bit Error Rate	<b>HRU</b>	HiGain Remote Unit
<b>BPV</b>	Bipolar Violation	<b>I-CPE</b>	Current (amperes) requirements for Customer Premises Equipment
<b>BPVT</b>	Bipolar Violation Transparency	<b>ILR</b>	Intelligent Line Repeater
<b>BRG</b>	Bridge	<b>IOR</b>	Intelligent Office Repeater
<b>CI</b>	Customer Installation	<b>IR</b>	Intelligent Repeater
<b>CLEI</b>	Common Language Equipment Identifier	<b>LED</b>	Light Emitting Diode
<b>CLOC</b>	Customer Local Loopback	<b>LOS</b>	Loss of Signal
<b>CO</b>	Central Office	<b>LOSW</b>	Loss of Sync Word
<b>CPE</b>	Customer Premises Equipment	<b>NEC</b>	National Electric Code
<b>CRC</b>	Cyclic Redundancy Check	<b>NI</b>	Network Interface
<b>CREM</b>	Customer Remote Loopback	<b>NID</b>	Network Interface Device
<b>CSA</b>	Carrier Service Area	<b>NLOC</b>	Network Local Loopback
<b>DDS</b>	Digital Data Service	<b>NMA</b>	Network Management and Administration
<b>DIS</b>	Disabled	<b>NREM</b>	Network Remote Loopback
<b>DLC</b>	Digital Loop Carrier	<b>NVRAM</b>	Non-Volatile Random Access Memory
<b>DS0</b>	Digital Signal, level 0	<b>ORB</b>	Office Repeater Bay
<b>DS1</b>	Digital Signal, level 1	<b>PCS</b>	Personal Communication Services
<b>DSX-1</b>	DS1 Cross-connect Frame	<b>PL</b>	Payload
<b>ECI</b>	Equipment Catalog Item	<b>POTS</b>	Plain Old Telephone Service
<b>ENA</b>	Enabled	<b>PWRF</b>	Power Feed
<b>ES</b>	Errored Seconds	<b>RCV</b>	Receive
<b>ESF</b>	Extended SuperFrame	<b>RDA</b>	Remote DS1 Alarm



<b>RLOS</b>	Remote Loss of Signal
<b>RMA</b>	Return Material Authorization
<b>SAIS</b>	SmartJack AIS
<b>SF</b>	Super Frame
<b>SMJK</b>	SmartJack
<b>TEC</b>	Total Error Count
<b>TSEC</b>	Total System Error Count
<b>UAS</b>	Unavailable Seconds
<b>XMT</b>	Transmit



---

# CERTIFICATION AND WARRANTY

## FCC COMPLIANCE

This unit complies with the limits for Class A digital devices pursuant to Part 15 of the FCC rules. These limits are designed to provide reasonable protection against harmful interference when the equipment is operated in a commercial environment. This equipment generates, uses, and can radiate radio frequency energy and, if not installed and used in accordance with the instruction manual, can cause harmful interference to radio communications. Operation of this equipment in a residential area is likely to cause harmful interference, in which case the user will be required to correct the interference at his own expense.

Refer to the installation section of this manual for guidance on:

- Cabling
- Correct connections
- Grounding

## LIMITED WARRANTY

PairGain Technologies warrants this product to be free of defects and to be fully functional for a period of 120 months from the date of original shipment, given correct customer installation and regular maintenance. PairGain will repair or replace at PairGain's option any unit without cost during this period if the unit is found to be defective for any reason other than abuse or incorrect use or installation.

Do not try to repair the unit. If it fails, replace it with another unit and return the faulty unit to PairGain for repair. Any modifications of the unit by anyone other than an authorized PairGain representative voids the warranty.

If a unit needs repair, call PairGain for a Return Material Authorization (RMA) number and return the defective unit, freight prepaid, along with a brief description of the problem, to:

PairGain Technologies, Inc.  
14352 Franklin Avenue  
Tustin, CA 92780  
ATTN: Repair and Return Dept.  
800.638.0031

Refer to the instructions under "[Returns](#)" on page 61 for complete return instructions.

PairGain continues to repair faulty modules beyond the warranty program at a nominal charge. Contact your PairGain sales representative for details and pricing.

## MODIFICATIONS

Any changes or modifications made to this device that are not expressly approved by PairGain Technologies, Inc. may void the user's warranty.

All wiring external to the products should follow the provisions of the current edition of the National Electrical Code.

## STANDARDS COMPLIANCE

The HLU-231 List 8D has been tested and verified to comply with the applicable sections of the following standards.

- GR 63-CORE - Network Equipment-Building System (NEBS) Requirements: Physical Protection
- GR 1089-CORE - Electromagnetic Compatibility and Electrical Safety

For technical assistance, refer to "[Appendix D - Product Support](#)" on page 60.

---

---

**Corporate Office**

14402 Franklin Avenue

Tustin, CA 92780

Tel: 714.832.9922

Fax: 714.832.9924

**For Technical Assistance:**

800.638.0031



---

**PAIRGAIN**