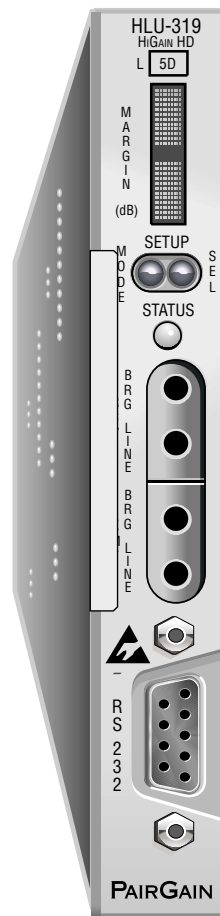

HiGAIN LINE UNIT

Model	List Number	Part Number	CLEI Code
HLU-319	5D	150-1140-54	T1L2B30A



PAIRGAIN TECHNOLOGIES, INC.
ENGINEERING SERVICES TECHNICAL PRACTICE
SECTION 150-319-154-04

PAIRGAIN

Revision History of This Practice

Revision	Release Date	Revisions Made
01	December 18, 1998	Initial release
02	April 6, 1999	<ul style="list-style-type: none"> • Remove FRMG option. • Add 31-day Performance History Screen • Revise Power Consumption Tables.
03	July 9, 1999	<ul style="list-style-type: none"> • Firmware enhancements • Addition of troubleshooting screens
04	September 29, 1999	<ul style="list-style-type: none"> • Firmware enhancements • Enhanced troubleshooting screens

© Copyright 1999 PairGain Technologies, Inc.




PairGain and HiGain are registered trademarks of PairGain Technologies, Inc. All other product names mentioned in this practice are used for identification purposes only and may be trademarks or registered trademarks of their respective companies.

Information contained in this document is company private to PairGain Technologies, Inc., and shall not be modified, used, copied, reproduced or disclosed in whole or in part without the written consent of PairGain.

Information furnished by PairGain Technologies is believed to be accurate and reliable. However, no responsibility is assumed by PairGain Technologies for its use; nor for any infringement of patents or other rights of third parties which may result from its use. No license is granted by implication or otherwise under any patent or patent rights of PairGain Technologies. PairGain Technologies reserves the right to change specifications at any time without notice.

USING THIS TECHNICAL PRACTICE

The following conventions are used in this manual:

- `Monospace` type indicates screen text, including text you type at a screen prompt.
- Keys you press are indicated by small icons such as . Key combinations to be pressed simultaneously are indicated with a plus sign as follows:  + .
- Three types of messages, identified by icons, appear in text.



Notes contain information about special circumstances.



Cautions indicate the possibility of equipment damage or personal injury.



The Electrostatic Discharge (ESD) Susceptibility symbol indicates that a device or assembly is susceptible to damage from electrostatic discharge.

For a list of abbreviations used in this document, refer to “[Appendix E - Glossary](#)” on page 60.

DOCUMENTATION

If you have comments on this PairGain document, send an email to technical_publications@pairgain.com. Type the product name and the section number of the document in the subject area of the email message.

INSPECTING THE SHIPMENT

Upon receipt of the equipment:

- Unpack each container and visually inspect the contents for signs of damage. If the equipment has been damaged in transit, immediately report the extent of damage to the transportation company and to PairGain. Order replacement equipment, if necessary.
- Check the packing list to ensure complete and accurate shipment of each listed item. If the shipment is short or irregular, contact PairGain as described in the Warranty located inside the back cover. If you must store the equipment for a prolonged period, store the equipment in its original container.

TABLE OF CONTENTS

Overview	1
Features	1
Product Enhancements	1
Standard Features	2
Compatibility	2
Applications	2
HiGain Doubler Applications	3
Personal Communications System Applications	3
Front Panel	4
Installation	8
Verification	9
Verification without a Downstream Device	9
Verification with a Downstream Device	9
Provisioning Requirements	10
Provisioning	10
Using the MODE and SEL Buttons	10
Setting Options through MODE and SEL	10
Resetting to Factory Default Values	11
Displaying System Parameter Settings	11
Disabling an Alarm	11
Loopback Modes	11
Using a Maintenance Terminal	12
Connecting to a Maintenance Terminal	12
Accessing the Maintenance Terminal Screens	12
Navigation Keys	12
Maintenance Terminal Main Menu	13
Selecting a Maintenance Terminal Function	14
System Spans	14
Using the Maintenance Terminal Screens	14
View Span Status Screen	14
Span Status Screen without Doublers	15
Span Status Screen for Doubler Applications	15
Set Clock Screen	18
Set Time	18
Set Date	18
Update the HRU Time and Date	18

System Settings Screen	19
BPVT Option	21
BER Option	22
Margin Alarm Threshold Option	22
HDSL Line Voltage Options	22
Loopback Mode Screen	23
Loopback Menu without Doubler	24
Loopback Menu for Doubler Applications	24
Initiating a Loopback	25
Disabling a Loopback	25
View Performance Data Screen	26
Performance Data Screen without Doubler	27
Performance Data Screen for Doubler Applications	27
View Performance History Screen (7-Day and 31-Day)	28
Performance History Screen without Doubler	28
Performance History Screen for Doubler Applications (7-Day and 31-Day)	29
View Alarm History Screen	30
Alarm History Screen without Doubler	31
Alarm History Screen for Doubler Applications	31
System Inventory Screen	32
System Inventory Screen without Doubler	33
System Inventory Screen for Doubler Applications	33
View Troubleshooting Screen	34
Troubleshooting	38
System Alarms	38
Alarm Option for Digital Loop Carrier (DLC) Feed	39
Retiring System Alarms	39
Self Test	39
Loopback Operation	39
A5LB Loopback Commands	40
Manual Loopback Session	41
Setting the Loopback Time-out Option	41
Initiating a Manual Loopback Session	42
Loopback Test Procedure	43
General Troubleshooting Tips	43
A5LB Test Procedure	44

Appendix A - Specifications	46
HDSL Insertion Loss Guidelines	47
Power Consumption	47
Power Consumption without Doublers.....	47
Power Consumption with Doublers.....	48
Maximum Power Dissipation.....	50
Maximum Current Drain.....	50
HLU-319 Card-edge Connector.....	51
Network Management Control Bus	51
Fuse Alarm	51
System Alarm Output	52
Craft Port.....	53
Appendix B - Functional Operation	54
Timing.....	55
Ground Fault Detect.....	55
Appendix C - Compatibility	56
T1 Repeater Shelves and Related Equipment	56
HiGain Doubler Circuit Deployment.....	56
Appendix D - Product Support	58
Technical Support	58
World Wide Web	58
Returns	58
Appendix E - Glossary	60
Certification and Warranty	Inside Back Cover

LIST OF FIGURES

1. HLU-319 List 5D Front Panel	4
2. Installing the HLU-319 into a Shelf	8
3. Maintenance Terminal Main Menu	13
4. System Spans	14
5. Span Status Screen: No Doubler.....	15
6. Span Status Screen: Four Doublers (Span 5).....	15
7. Set Clock Screen.....	18
8. System Settings Screen	19
9. Loopback Menu: No Doubler	24
10. Loopback Menu: Four Doublers.....	24
11. NLOC Loopback Mode Reported in the Maintenance Terminal Main Menu.....	25
12. Performance Data Screen: No Doubler.....	27
13. Performance Data Screen: Four Doublers (Span 5).....	27
14. 7-Day Performance History Screen: No Doubler	28
15. 31-Day Performance History Screen: Four Doublers (Span 5)	29
16. Alarm History Screen: No Doubler	31
17. Alarm History Screen: Four Doublers (Span 5)	31
18. System Inventory Screen: No Doubler	33
19. System Inventory Screen: Four Doublers	33
20. Troubleshooting Screen for an Operational System	34
21. Troubleshooting Screen Identifying Circuit Problems	34
22. Troubleshooting with Help	35
23. Troubleshooting with Margin Values	36
24. Troubleshooting with Insertion Loss Values	36
25. Troubleshooting with Errored Seconds Values	37
26. Troubleshooting with Unavailable Seconds Values	37
27. Loopback Summary	39
28. Supported Loopback Configurations	43
29. HLU-319 List 5D Card-edge Connector	51
30. RS-232 Craft Port Pinouts	53
31. HLU-319 Block Diagram	54

LIST OF TABLES

1. Front Panel Description.....	5
2. Front Panel Display Messages.....	6
3. Navigational Keys on the Maintenance Terminal.....	12
4. Maintenance Terminal Screens.....	13
5. Span Status Fields and Descriptions.....	16
6. HDSL System Alarms.....	17
7. Loopback Messages.....	17
8. HLU-319 System Settings.....	20
9. Loopback Field Messages and Descriptions.....	23
10. Errored and Unavailable Seconds Definitions.....	26
11. Alarm History Fields and Descriptions.....	30
12. HDSL System Alarms.....	38
13. Summary of HiGain Loopback Codes.....	40
14. Addressable Repeater Loopback Commands.....	44
15. HDSL Loss Over Cables.....	47
16. Power Parameters—No Doubler.....	47
17. Power Parameters—Single Doubler (HDU-451 List 1 or 2).....	48
18. Power Parameters—Single Doubler (HDU-439 or HDU-437 Lists 1 and 1B).....	48
19. Power Parameters—Single Doubler (HDU-404 List 2, HDU-407 List 2, and HDU-409 List 2).....	48
20. Power Parameters—Two Doublers (HDU-451 List 3, 4, 3B or 4B).....	49
21. Power Parameters—Two Doublers (HDU-439 or HDU-437 Lists 1 and 1B).....	49
22. Power Parameters—Two Doublers (HDU-404 List 2, HDU-407 List 2, and HDU-409 List 2).....	49
23. Power Parameters—Three or Four Doublers (HDU-404 List 2, HDU-407 List 2, and HDU-409 List 2)....	49
24. HiGain Doubler Deployment Matrix.....	57

OVERVIEW

The PairGain® HiGain® Line Unit HLU-319 List 5D is the Central Office (CO) side of a repeaterless T1 transmission system. When used in conjunction with a HiGain Remote Unit (HRU), the system provides 1.544 Mbps transmission on two unconditioned copper pairs over the full Carrier Service Area (CSA) range. The CSA includes loops up to 12,000 feet of 24 American Wire Gauge (AWG) or 9,000 feet of 26 AWG wire, including bridged taps. This line unit can be used with HiGain Doubler Units (HDUs) to extend reach.

FEATURES

Product Enhancements

- Fast Loss of Sync Word (LOSW) reporting
- Five-span range with four doublers (60 kft, 24 AWG)
- Four line-powered spans (three doublers and one remote)
- Reduced power consumption
- Ultra-low wander (Stratum 1 compliant)
- Low line-power option (-135 V) for circuits with a single doubler
- Selectable Power Feed (PWRP) modes: Auto, High, Low, and Disabled
- Grounded loop detection on High-bit-rate Digital Subscriber Line (HDSL)
- Bipolar Violation Transparency (BPVT) options
- Bit Error Rate (BER) alarm options
- HRU loopback screen
- Inventory Screen (displays Circuit ID and unit IDs)
- Loss of Signal/Alarm Indicator Signal (LOS/AIS) payload alarm option
- Remote Loss of Signal (RLOS) disable alarm option
- Supports HRU-411 in Personal Communication Services (PCS) applications
- Default setting screen option
- Payload (PL) or HiGain (HG) loopback source identification
- Remote provisioning
- Troubleshooting screen

Standard Features

- Selectable DS1 pre-equalizer
- Front panel features:
 - Four-character status display
 - DSX-1 splitting and bridge access
 - Status Light Emitting Diode (LED)
 - RS-232 craft port for connection to a maintenance terminal
- Compatible with SXSS shelves, and equivalent
- Selectable loopback activation codes
- Network Management and Administration (NMA) interface
- Lightning and power cross protection on HDSL interfaces
- Full duplex 2B1Q HDSL transmission on two pairs at 784 kbps
- Margin threshold alarm

The HLU-319 List 5D has fewer user front panel options than the HLU-319 List 5. See “[HLU-319 System Settings](#)” on page 20 for additional information.

COMPATIBILITY

The HLU-319 is designed to mount into 3192 mechanics shelves. For a list of compatible shelves, see “[Appendix C - Compatibility](#)” on page 56.

All generations of HiGain HLU and HRU modules are compatible with each other. To take advantage of the enhanced features of newer HiGain doublers, refer to “[HiGain Doubler Circuit Deployment](#)” on page 56.

APPLICATIONS

HiGain systems provide a cost-effective, easy-to-deploy method for delivering T1 High Capacity Digital Service (HCDS) over metallic pairs.

- The service is deployed over two unconditioned, non-loaded copper pairs, yet it demonstrates a quality that is competitive with fiber optics.
- Conventional, in-line, T1 repeaters are not required.
- Cable pair conditioning, pair separation and bridged tap removal are not required.

In general, HiGain systems do as follows:

- Operate with any number of other T1, Plain Old Telephone Service (POTS), Digital Data Service (DDS) or other HiGain systems sharing the same cable binder group.
- Can be used with customers requiring DS1 service on a temporary or permanent basis.
- Provide a means of quickly deploying service in advance of fiber-optic transmission systems.

With a HiGain system, service can be provided within hours. Fiber-optic systems can be installed incrementally and cut over from the installed HiGain system when convenient to do so.

HiGain Doubler Applications

For applications without doublers, the HLU-319 is directly connected to the HRU by the two HDSL cable pairs. The HLU-319 is compatible with all HiGain HRUs.

For doubler applications, one to four doublers may be used in the HDSL loops between the HLU and HRU.

- The HLU-319 can power three doublers and a remote unit (HRU-402 or HRU-411) for a total of four spans.
- If the HRU is locally powered, the HLU can power up to four doublers for a total of five spans.



These extended ranges are only available when using the HDU-409, HDU-404 or HDU-407 micro-doublers with the HRU-411 or HRU-402. Older doublers (HDU-451, HDU-439 and HDU-437) cannot be used in circuits with more than two doublers in any line or local power system. For compatibility guidelines on mixing newer doublers with older HRU and HLU models, refer to “HiGain Doubler Circuit Deployment” on page 56.

For additional information about associated HiGain equipment, refer to the respective HiGain technical practice (see “Appendix D - Product Support” on page 58).

Personal Communications System Applications

The HLU-319 is required for Personal Communications System (PCS) applications that use the HRU-411. The HRU-411 has an onboard 130 V, 8.5 W power supply that can power the 200 mW PCS remote radio ports. The HLU recognizes the HRU-411, if the Customer Premises Equipment (CPE) power switch is set to ON, and performs the following two functions required by the HRU-411 to bring up the National Electric Code (NEC) radio port:

- Increases the HDSL line voltage to its high ± 112 V level with the PWRP option set to AUTO
- Enables HRU-411 to turn on its floating 130 V radio port supply

FRONT PANEL

The HLU-319 List 5D front panel is shown in [Figure 1](#). The front panel components are described in [Table 1](#) on [page 5](#). For pinout diagrams of the card-edge connector and the craft port, refer to “[HLU-319 Card-edge Connector](#)” on [page 51](#).

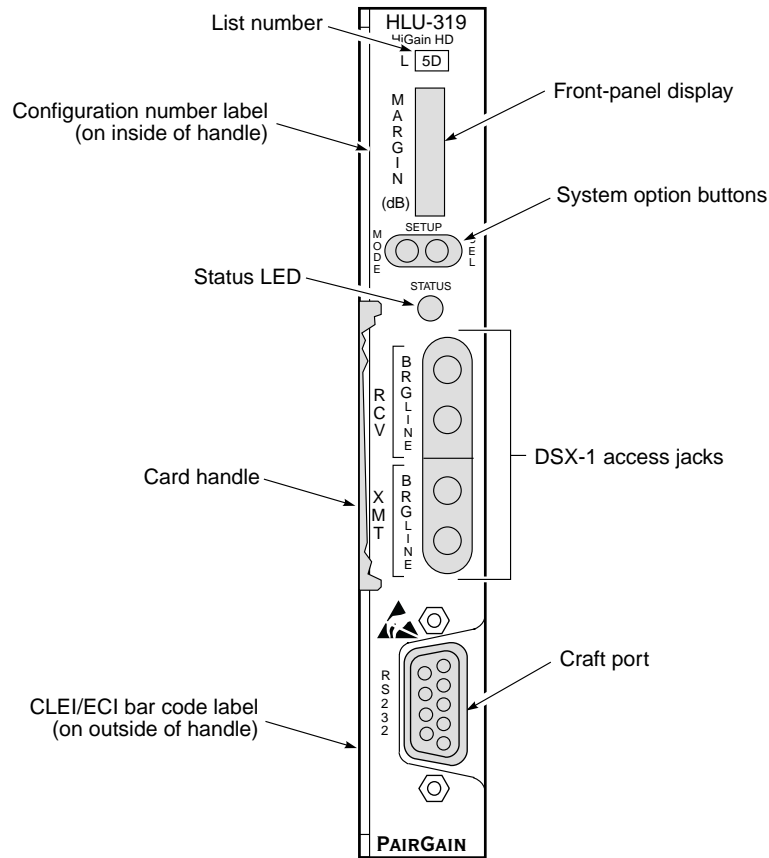


Figure 1. HLU-319 List 5D Front Panel

Table 1. Front Panel Description

Front Panel Feature	Function
Front panel display	Displays four-character status, provisioning, and alarm system messages. The front panel display illuminates when power is initially applied. To conserve power the display only remains on for 4 minutes. Using the MODE or SEL buttons reactivates the display and restarts the 4-minute timer. Refer to Table 2 on page 6 for a listing of the four-character messages.
System option buttons (MODE and SEL)	Permits the user options to be monitored and modified without the need of a maintenance terminal. Used to initiate all HiGain loopbacks and to display DSX-1 line parameters and line unit identity.
Status LED	The status LED can report the following conditions:
Green	Normal operation.
Flashing green	HDSL acquisition.
Red	Fuse Alarm.
Flashing red	System alarm.
Yellow	Self Test is in process or an HLU-319 Customer Remote Loopback (CREM) or a Network Local Loopback (NLOC) is in effect.
Flashing yellow	HLU-319 is in an Armed state.
DSX-1 access jacks	
BRG	Provides non-intrusive bridging jack access to (XMT) and from (RCV) the HDSL span at the DSX-1 interface. Allows the two T1 payloads to be monitored.
LINE	Provides splitting jack access to (XMT) and from (RCV) the HDSL span at the DSX-1 interface. Breaks the XMT and RCV paths to permit test signal insertion and retrieval.
RS-232 craft port	Provides bidirectional communication between the unit and an external terminal to allow configuration and performance monitoring through the Maintenance Terminal screens.
CLEI and ECI bar code label	Provides the human-readable Common Language Equipment Identifier (CLEI) code number and the Equipment Catalog Item (ECI) bar code number.
List number	Identifies the version of the HLU-319.
Configuration number	Contains either a five or six-digit warranty configuration number or a stand-alone two or three-digit configuration number as follows: Digit 1 - Last digit of shipment year Digit 2 and 3 - Shipment month Digits 4, 5, and 6 - Configuration number The configuration number can also be found on a small bar label that contains the Julian date code and part number. This gummed label may be affixed to the PC board or to the front panel.

Table 2. Front Panel Display Messages

Message	Full Name	Description
ALARM MESSAGES		
ACO	Alarm CutOff	A system alarm has occurred and has been retired to an ACO condition by pressing the SEL button on the HLU front panel.
ALRM	Alarm Condition Exists	A system alarm condition is in effect.
BER	Bit Error Rate	A system BER alarm is in effect.
LLOS	Local Loss of Signal	Indicates that no signal is detected at the DSX-1 input to the HLU.
LOSW	Loss of Sync Word	Indicates that one of the HDSL loops has lost its synchronization. The Fast LOSW feature is enabled when the Bipolar Violation Transparency (BPVT) option is enabled (see "BPVT Option" on page 21).
MAL1 or MAL2	Margin Alarm Loop 1 or Loop 2	The margin on HDSL Loop 1 or Loop 2 has dropped below the threshold (1 to 15 dB) as set by the operator.
RLOS	Remote Loss of Signal	Indicates that no signal is detected at the DS-1 input to the HRU.
LOOPBACK MESSAGES		
ARM	HiGain System Armed	Armed to respond to Intelligent Repeater Loop Codes.
CDU n	Customer Doubler n Loopback	Query to initiate loopback at doubler n to CI, where n is the number of the doubler.
CLOC	Customer Local Loopback	Signal from customer is looped back to the customer at the HRU.
CREM	Customer Remote Loopback	Signal from customer is looped back to the customer at HLU-319.
NDU n	Network Doubler n Loopback	Query to initiate loopback at doubler n to network, where n is the number of the doubler.
NLOC	Network Local Loopback	DSX-1 signal is looped back to DSX-1 at HLU.
NREM	Network Remote Loopback	DSX-1 signal is looped back to DSX-1 at the HRU.
SMJK	Remote SmartJack Loopback	Signal from DSX-1 is looped back at the HRU by the HRU SmartJack module.
TLOS	Transmit Loss of Signal	DSX-1 signal is looped back to the DSX-1 interface at the HRU. The HRU is in a logic loopback state caused by a loss of its DS-1 input from the CI, if enabled at the HRU by its TLOS switch option.

Table 2. Front Panel Display Messages (Cont.)

Message	Full Name	Description
DIAGNOSTIC MESSAGES		
1=xx or 2=yy	HDSL Loop Margins	Indicates the power of the received HDSL signal on each loop relative to noise. Any value of 06 or greater is adequate for reliable system operation.
ACQ1 or ACQ2	Acquisition 1 or Acquisition 2	The multiplexers of the HLU and HRU or first doubler are trying to establish synchronization over Loop 1 or Loop 2 of Span 1.
A n L1 or A n L2	Acquisition n Loop 1 or Loop 2	The multiplexers of the two devices on Span n are trying to establish synchronization with each other on Loop 1 or Loop 2, where n is the number of the span.
BAD RT?	No response from HRU	The HLU does not receive any response from the HRU. Thus, the integrity of the HRU or the two HDSL loops (which may be open) is questionable.
CODE xxxx	Line Code: AMI, B8ZS	The Line Code is set to either of the two DS1 line code settings, Alternate Mark Inversion (AMI) or Bipolar with 8-zero Substitution (B8ZS). Displayed during System Settings review mode.
FRM	Frame: SF, ESF, THRU, NONE	Defines the type of frame pattern being received from the DSX-1: SuperFrame (SF), Extended SuperFrame (ESF), or THRU. If no frame pattern is being received, NONE displays. Displayed during System Settings review mode.
H1ES or H2ES	HDSL CRC Error Loop 1 or Loop 2	HDSL Loop 1 or Loop 2 CRC error.
n HDU	Number of Doublers	This message indicates the number (n) of doublers in the circuit.
INSL, then xxDB	Maximum Insertion Loss	The Maximum Insertion Loss message (INSL) appears followed by xxDB, where xx is the maximum insertion loss in dB of all spans and loops.
LBPV	Local Bipolar Violation	A bipolar violation has been received at the DSX-1 input to the HLU-319.
LIST xxxx	HLU-319 list number	The software list number appears during the System Settings review mode. Press the MODE button for 3 seconds to display the list number.
MNGD	Managed	The HLU is under control of the HLU-319 Network Management Unit. In this state, the front panel craft port and pushbuttons are disabled.
PWR FEED GND	Power Feed Ground	One of the HDSL loops has been grounded.
PWR FEED ON	Power Feed On	Indicates that the HDSL loops are not grounded or shorted.
PWR FEED OFF	Power Feed Off	HDSL span power has been turned off by setting the PWFD option to DIS, or HDSL span power has been turned off by use of the A5LB Intelligent Office Repeater (IOR) Power Down code.
PWR FEED SHRT	Power Feed Short	Indicates a short between the two HDSL pairs. This same message can occur with an HRU that is drawing the correct amount of power over good cable pairs but cannot communicate with the HLU.
SELF TEST	Self Test	The HLU is in a self-test mode. This occurs every power On/Off cycle.
SIG1 or SIG2	Signal 1 or Signal 2	The transceivers of the HLU and HRU or first doubler are trying to establish contact with each other on Loop 1 or Loop 2 of Span 1.
S n L1 or S n L2	Signal n Loop 1 or Loop 2	The transceivers of the two devices on Span n are trying to establish contact with each other on Loop 1 or Loop 2, where n is the number of the span.
VER xxxx	HLU-319 software version number	The software version number appears during the System Settings review mode. Press the MODE button for 3 seconds to display the software version.

INSTALLATION



Upon receipt of the equipment, visually inspect the contents for signs of damage. If the equipment has been damaged in transit, immediately report the extent of damage to the transportation company and to PairGain Technologies.



When installing an HLU in a chassis, be sure to wear an antistatic wrist strap. Avoid touching components on the circuit board.

Slide the HLU-319 into the card guides for the desired slot, then push the unit back until it seats firmly in the backplane card-edge connector (Figure 2).

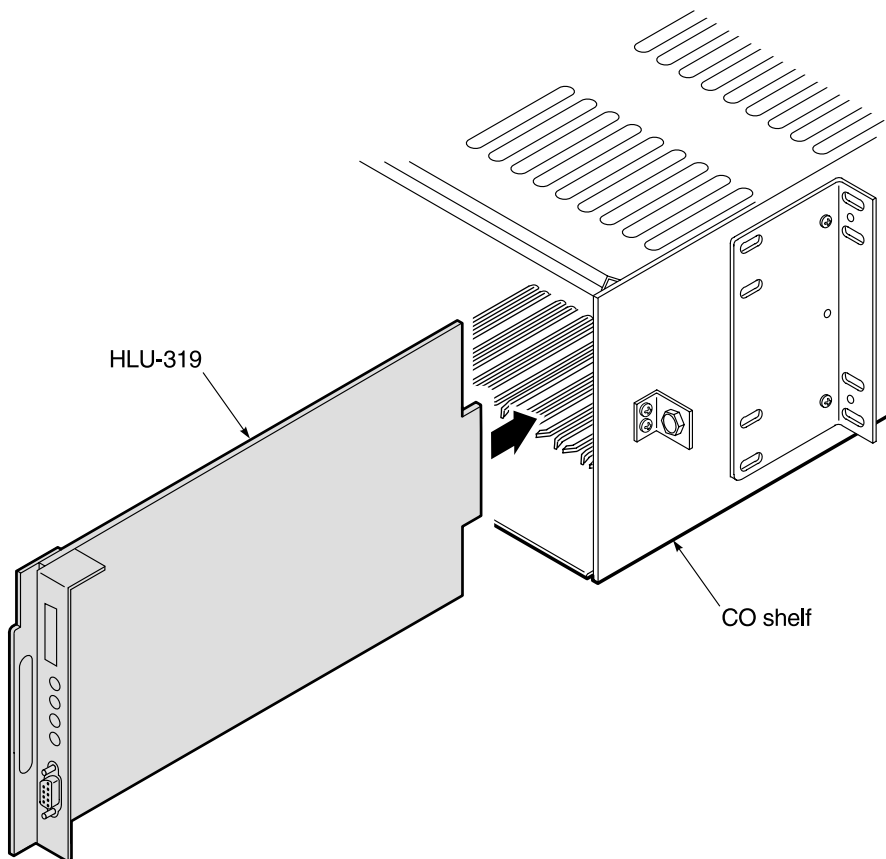


Figure 2. Installing the HLU-319 into a Shelf

VERIFICATION

Once the HLU-319 is installed, verify that it is operating properly. To do this, monitor the following:

- Status LED
- Status messages reported by the front panel display ([Table 2 on page 6](#))

Verification without a Downstream Device

If there is no downstream device installed:

- 1 Verify that the HLU powers up. (The front panel display illuminates and reports four-character status messages. See [Table 2 on page 6](#) for a list of messages.)
- 2 Verify that the HLU attempts to communicate with downstream devices. Even if a downstream device is not present, the following events should occur:
 - a The front panel display reports four-character status messages.
 - b The HLU enters self-test mode (Status LED is yellow).
 - c The HLU again attempts communication with downstream devices, repeating events **a** through **b** until a downstream device is successfully detected.

Verification with a Downstream Device

If a downstream device has been installed:

- 1 Verify that the HLU powers up. (The front panel display illuminates and reports status messages.)
- 2 Verify that the HLU attempts to communicate with downstream devices (status LED flashes green). One of the following occurs:
 - If downstream devices are successfully identified and the HDSL loops synchronize, the HLU status LED will be a steady green. The HLU reports normal margin messages on the front panel display.
 - If downstream devices are not successfully identified, the HLU reports four-character status messages and enters self-test mode. The HLU successively
 - enters self-test mode
 - completes self-test mode
 - attempts communication again
 - reports four-character status messages.

The HLU repeats this cycle until a downstream device is detected.

- 3 If there is more than one span, verify that each subsequent span synchronizes normally by monitoring the front panel display messages.
- 4 If a remote unit is installed, verify that the last span synchronizes normally. The HLU status LED should be a steady green, and the front panel display reports normal margin messages.
- 5 Verify that a valid T1 signal has been applied to the HLU and the HRU.
 - If no T1 signal is being applied to either the HLU or the HRU inputs, then the appropriate T1 alarms (LLOS or RLOS) are observed on the front panel display and the status LED flashes red.
 - If a valid T1 signal is being supplied to the HLU and HRU, then T1 alarm indications should be absent and the status LED should be a steady green.

PROVISIONING REQUIREMENTS

Refer to “[Provisioning](#)” on page 10 for information about using the MODE and SEL buttons or the Maintenance Terminal screens to configure the HLU. While the MODE and SEL buttons can be used to manually accomplish some provisioning tasks, such as setting system options, the Maintenance Terminal screens (available when you connect a PC to the craft port) can handle all provisioning tasks. Tasks that you need to complete are:

- 1 Set the time and date (see “[Set Clock Screen](#)” on page 18).
- 2 Set the circuit IDs (see “[System Inventory Screen](#)” on page 32).

Once the HLU has been successfully installed and provisioned, complete the following to ensure an accurate Alarm History and Performance History.

- 1 Clear Span Status screens (see “[View Span Status Screen](#)” on page 14). Clearing the Span Status screens also clears the Performance Data and Performance History screens.
- 2 Clear the Alarm History screens (see “[View Alarm History Screen](#)” on page 30).

PROVISIONING

There are two methods for provisioning the HLU-319 List 5D:

- Use the MODE and SEL buttons on the HLU front panel to
 - set system options.
 - reset the HLU to the factory default settings for system options.
 - display system option settings (scroll mode).
 - select system loopbacks.
- Use a maintenance terminal (ASCII terminal or a PC running terminal emulation software) connected to the HLU craft port to access the Maintenance Terminal Main Menu ([Figure 3 on page 13](#)). This gives you full access to all HLU status, history, inventory, and provisioning screens.



No dip switches or jumpers are required to provision the HLU-319 as it contains a Non-volatile Random Access Memory (NVRAM) which stores the system option settings. System option settings are retained if shelf power is lost or if the HLU-319 is unplugged.

USING THE MODE AND SEL BUTTONS

Setting Options through MODE and SEL

To provision the HLU-319 through the MODE and SEL buttons on the front panel:

- 1 Press the MODE button for 2 seconds and then release it. The front panel display alternately shows the first system parameter and its current setting.
- 2 Press the SEL button to step the display through all possible settings (one at a time) of the selected parameter.
- 3 After the desired setting has been selected, press the MODE button. This updates the current displayed parameter to the selected setting, and then advances to the next configurable parameter. After the last parameter has been selected, a CONF NO message appears on the front panel display.

- 4 Do one of the following:
 - To cancel the session without saving the requested parameter changes, press the MODE button or do nothing. (After 30 seconds, the display returns to its normal mode without saving the new changes.)
 - To accept the requested parameter changes, press the SEL button. (A CONF YES message displays, and the display returns to its normal mode after saving the new changes.)

Resetting to Factory Default Values

All user options ([Table 8 on page 20](#)) can be set to the factory default values using the MODE and SEL buttons. To set the user options to their default values:

- 1 Press the SEL button for 6 seconds until the following message appears:

DFLT NO

- 2 Press the SEL button while the DFLT NO message is displayed.

The message changes to DFLT YES indicating the factory default values are now in effect and the display returns to the normal mode.

To terminate the DFLT mode without setting the factory default values, do one of the following:

- Press the MODE button to return to the normal display mode.
- Wait 30 seconds for the unit to return to the normal display mode.

Displaying System Parameter Settings

To scroll through the current settings of all system parameters, press the MODE button for 3 or more seconds. The following parameters are displayed:

- HLU software version number
- HLU List number
- Type of frame pattern being received from the DSX-1
- HDSL power level setting
- All user-configured parameter settings

Disabling an Alarm

If the system is in a Minor alarm state, the +5 V alarm output level on pin H is removed by pressing the SEL button. This also turns off an Alarm CutOff (ACO) indication.

Loopback Modes

See “[Loopback Operation](#)” on [page 39](#) for instructions on using the MODE and SEL buttons to activate loopbacks.

USING A MAINTENANCE TERMINAL

Connecting to a Maintenance Terminal

The craft port on the front panel allows you to connect the HLU-319 to a maintenance terminal (ASCII terminal or PC running a terminal emulation program). Once connected to a maintenance terminal, you can access the maintenance, provisioning, performance, and troubleshooting screens.

To connect to a maintenance terminal:

- 1 Connect a standard 9-pin terminal cable to the RS-232 craft port (Figure 1 on page 4) on the HLU-319 front panel.
- 2 Connect the other end of the cable to the serial port on the maintenance terminal.
- 3 Start a terminal emulation program such as ProComm (emulating a VT-100 terminal).
- 4 Configure the maintenance terminal to the following communication settings:
 - 1200 to 9600 baud (9600 baud is recommended)
 - no parity
 - 8 data bits
 - 1 stop bit
 - hardware flow control to OFF
- 5 Press the **SPACEBAR** several times to initiate the autobaud connection and to initialize the Maintenance Terminal screens.

Accessing the Maintenance Terminal Screens

The following sections describe how to use the Maintenance Terminal screens to view, provision and diagnose an HLU-319 system.

Navigation Keys

Table 3 lists keys you can use on the maintenance terminal to navigate the Maintenance Terminal screens.

Table 3. Navigational Keys on the Maintenance Terminal

Key	Function
A	Automatically updates the screen data
U	Updates screen data
C	Clears screen data
S	Selects the next Span Status screen (for doubler applications)
1 , 2 , 3 , 4 , or 5	Selects a specific Span Status screen (for doubler applications)
P	Selects the previous page of screen data
N	Selects the next page of screen data
E	Exits the current screen
L	Selects the Loopback menu from the Troubleshooting screen
B	Returns to the main Troubleshooting screen from the Troubleshooting (H)elp, (M)argin Values, or (I)nsertion Loss screens

Maintenance Terminal Main Menu

Figure 3 shows the Maintenance Terminal Main Menu from which you can access system administration screens. The function of each screen selection is listed in Table 4. To access a screen, type the letter shown next to the menu item.

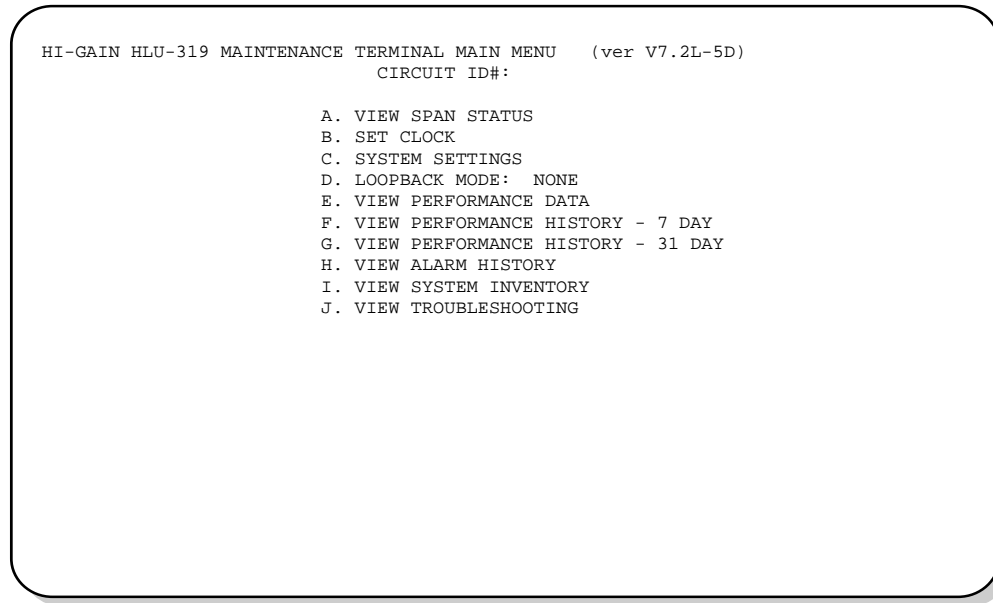


Figure 3. Maintenance Terminal Main Menu

Table 4. Maintenance Terminal Screens

Press Key	To View Screen	Screen Description	See page:
A	View Span Status	Provides access to subscreens that allow you to monitor the HDSL and T1 line status between the HLU and the HRU.	14
B	Set Clock	Allows you to set both the time and the date parameters at the HLU, and to update the same settings at the HRU.	18
C	System Settings	Allows you to set all user options.	19
D	Loopback Mode	Provides access to a subscreen that allows you to enable and disable loopbacks at both the network and customer side.	23
E	View Performance Data	Provides access to subscreens that allow you to view the Errored Seconds (ES) and Unavailable Seconds (UAS) between the HLU and the HRU in 15-minute intervals over a 4-hour time period per screen for a total of 24 hours (6 screens).	26
F	View Performance History - 7 Day	Provides access to subscreens that allow you to view the ES and UAS between the HLU and the HRU in 24-hour intervals over a 7-day period.	28
G	View Performance History - 31 Day	Provides access to subscreens that allow you to view the ES and UAS between the HLU and the HRU in 24-hour intervals over a 31-day period.	28
H	View Alarm History	Provides access to subscreens that allow you to view alarm conditions between the HLU and the HRU.	30
I	View System Inventory	Allows you to enter a unique circuit ID (up to 24 alpha-numeric characters).	32
J	View Troubleshooting	Provides a graphic analysis of the circuit and identifies problem areas.	34

Selecting a Maintenance Terminal Function

To perform a function within the Maintenance Terminal screens, you can:

- Press the key indicated to the left of the selection.
- Press the letter in parentheses for the parameter to be changed.

System Spans

As shown in [Figure 4](#), the HLU can support up to four doublers with five HDSL spans. The Span Status, Performance Data, and Performance History displays up to five screens to depict an HLU-319 system.

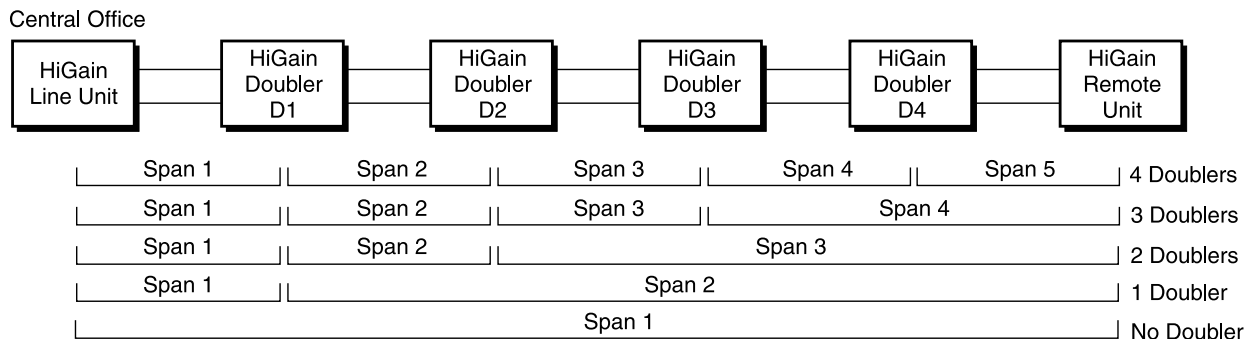


Figure 4. System Spans

USING THE MAINTENANCE TERMINAL SCREENS

View Span Status Screen

The View Span Status option allows you to view up to five system status screens that provide information about the HDSL Loop 1, HDSL Loop 2, and the DS1. For doubler applications, the available Span Status screens depend on whether the system includes one, two, three, or four doublers.

Press **A** from the Maintenance Terminal Main Menu to open the Span Status screen ([Figure 5 on page 15](#)). If no doubler (HDU) is present, the screen reports span status for the subscriber lines between the HLU and the HRU.

If there are additional doublers, the Span Status screen reports status on each span. [Figure 6 on page 15](#) shows status between HDU4 and the HRU in a system with four doublers. Refer to [Table 5 on page 16](#) for an explanation of the Span Status fields.

From each Span Status screen you can:

- Press **C** to clear the cur (current), min (minimum) and max (maximum) numeric counts.
- Press **A** to automatically update status screens every 5 seconds. (Press **A** again to turn off auto update.)
- Press **U** to update cur (current) values.
- Press **S** to view the next available span (for doubler applications).
- Press **E** to exit and return to the previous screen.
- Press **1**, **2**, **3**, **4**, or **5** to select a specific span (for doubler applications).

Span Status Screen without Doublers

```

                                SPAN STATUS
TIME: 00:14:11
DATE: 09/20/99
ALARMS: NONE
LOOPBACK: OFF
POWER LEVEL: LOW
                                Circuit ID#:

                                HLU                                HRU
                                HDSL-1  HDSL-2  HDSL-1  HDSL-2
                                cur/min/max cur/min/max cur/min/max cur/min/max
MARGIN:                21/20/22    23/22/24    21/19/22    22/21/24 dB
PULSE ATTN:            00           00           00           00 dB
INS LOSS:               00           00           00           00 dB
24 HOUR ES:            00004       00003       00006       00007 seconds
24 HOUR UAS:           00014       00013       00000       00001 seconds

                                DS1 STATUS
                                HLU                                HRU
24 HOUR ES Count:     00001                                00002
24 HOUR UAS Count:   00000                                00002
Frame type:           ESF                                ESF
Code type:            AMI                                AMI

AUTOUPDATE OFF                (E)xit (C)lear (A)uto(U)pdate

```

Figure 5. Span Status Screen: No Doubler

Span Status Screen for Doubler Applications

If doublers have been added, status is also reported for these. Span Status can have up to five screens, depending on the number of HDUs.

```

                                SPAN 5 STATUS
TIME: 12:06:04
DATE: 09/20/99
ALARMS: NONE
LOOPBACK: OFF
POWER LEVEL: HIGH

                                HDU4                                HRU
                                HDSL-1  HDSL-2  HDSL-1  HDSL-2
                                cur/min/max cur/min/max cur/min/max cur/min/max
MARGIN:                23/23/23    23/21/23    24/20/25    24/21/24 dB
PULSE ATTN:            07           07           07           07 dB
INS LOSS:               08           08           08           08 dB
24 HOUR ES:            00010       00008       00001       00002 seconds
24 HOUR UAS:           00021       00020       00004       00002 seconds

                                DS1 STATUS
                                HLU                                HRU
24 HOUR ES Count:     00000                                00017
24 HOUR UAS Count:   00000                                00012
Frame type:           ESF                                ESF
Code type:            AMI                                AMI

AUTOUPDATE OFF                (E)xit (C)lear (A)uto(U)pdate (S)pan(1)(2)(3)(4)(5)

```

Figure 6. Span Status Screen: Four Doublers (Span 5)

Table 5 lists the Span Status fields and descriptions. Table 6 and Table 7 on page 17 describe alarm and loopback messages displayed on the Span Status screens.

Table 5. Span Status Fields and Descriptions

Span Status Field	Description
Time	Time of day when Span Status was checked.
Date	Date when Span Status was checked.
Circuit ID#	Shows the user-defined circuit ID.
Alarms	Presence or absence of alarm conditions. See Table 12 on page 38.
Loopback	Indicates Off condition or identifies specific active loopback. See Table 13 on page 40 and Table 14 on page 44.
Power Level	Indicates the HDSL line voltage in its Low (-140 V) or High (± 112 V) state.
Margin	Indicates the excess signal to noise ratio at all HDSL ports, relative to a 10^{-7} Bit Error Rate. <ul style="list-style-type: none"> • First value is current margin. • Second value is minimum margin since last cleared. • Third value is maximum margin since last cleared. • N/A means that the margin is not available. The minimum and maximum margins are cleared and updated every time the Span Status screen is cleared and every time the system clock passes 12:00 AM midnight.
Pulse ATTN	Indicates the attenuation of the 2B1Q pulse from the distant end. The value is related to the 196 kHz loss of the cable pair. The pulse attenuation is a more direct indication of the loop attenuation to the 2B1Q signal than is the 196 kHz loss. The normal HiGain ATTN operation range is from 0 to 28 dB.
INS Loss	Indicates the approximate insertion loss of the loops at the HDSL line rate of 196 kHz. It is generated by multiplying the pulse attenuation by 1.25. Normal range is 0 dB to 35 dB.
24-Hour ES	The number of one second intervals that contained at least one CRC error. This value is a running total of the last 24 hours.
24-Hour UAS	The number of seconds the HDSL loop was out of sync.
24-Hour ES Count	The number of seconds in which at least one error was detected on the DS1 input over a 24-hour period. Errors included are DS1 Frame, BPV, and ESF CRC errors.
24-Hour UAS Count	The number of seconds during which the DS1 input signal was absent (175 ± 75 consecutive zeroes) over a 24-hour period.
Frame type	Type of DS1 framing used on the input stream (SF, ESF, or THRU).
Code type	Type of DS1 line coding used (AMI or B8ZS).



The Span Status screens shown on the previous page display a four-character code under the Alarms entry. These codes are described in Table 6 on page 17.

The following codes are reported with a RCV or XMT prefix that indicates the signal is being transmitted or received: LLOS, RLOS, LAIS, or RAIS.

RCV (xxxx) - Signal received (xxxx) at the T1 input to either the HLU or HRU.

XMT (xxxx) - Signal transmitted (xxxx) at the T1 output of either the HLU or HRU.

Table 6. HDSL System Alarms

Message	Name	Description
BER	Bit Error Rate	The Total System Error Count (TSEC) has exceeded the user-selected threshold.
CHREV-SP n	Channels Reversed	The Loop 1 and Loop 2 pairs are reversed at the HDU or HRU input ports on span n .
LOSW	Loss of Sync Word	One of the HDSL loops has lost synchronization.
LLOS	Local Loss of Signal	Indicates that no signal is detected at the DSX-1 input to the HLU-319.
MAL1 or MAL 2	Margin Alarm 1 or Margin Alarm 2	The margin on the HDSL Loop 1 or Loop 2 has dropped below the threshold (1 to 15 dB) set by the user. Setting the threshold to zero inhibits the margin alarm.
RAIS or LAIS	Remote (or Local) Alarm Indicating Signal	Indicates an AIS pattern of all ones is being transmitted from the remote (or local) T1 output port.
RLOS	Remote Loss of Signal	Indicates that no signal is detected at the DS-1 input to the HRU.
NONE	No Alarm	No alarm is indicated.

Table 7 lists loopback messages displayed on the Span Status screens. For information about loopback codes, see “A5LB Test Procedure” on page 44.

Table 7. Loopback Messages

Message	Full Name	Description
ARM	Armed	The HiGain system has detected the Intelligent Repeater (IR) loopback arming code (2-in-5).
CDU n	Customer Doubler n Loopback	Loopback at Doubler (n) to Customer Interface (CI) initiated by an Intelligent Line Repeater (ILR) code, the MODE and SEL buttons on HLU-319 front panel, or by the maintenance terminal.
CLOC	Customer Local Loopback	Loopback at HRU (local) to CI initiated from Customer Premises Equipment (CPE) by the ILR #2 code, the MODE and SEL buttons on the HLU-319 front panel, or by the maintenance terminal.
CREM	Customer Remote Loopback	Loopback at HLU-319 (remote) to customer initiated by Intelligent Office Repeater (IOR) code, the MODE and SEL buttons on the HLU-319 front panel, or by the maintenance terminal.
(HG)	HiGain	The loopback was initiated from a HiGain front panel or by a HiGain maintenance terminal loopback command.
NDU n	Network Doubler n Loopback	Loopback at Doubler (n) to network initiated by ILR code, by MODE and SEL buttons on the HLU-319 front panel, or by the maintenance terminal.
NLOC	Network Local Loopback	Loopback HLU-319 (local) to network initiated from CO by IOR code, the MODE and SEL buttons on the HLU-319 front panel, or by the maintenance terminal.
NREM	Network Remote Loopback	Loopback at HRU to network initiated from CO (network) by ILR #2 code, the MODE and SEL buttons on the HLU-319 front panel, the HRU manual loopback button, or by the maintenance terminal.
(PL)	Pay Load	The loopback was initiated by a command that was embedded in the T1 data path.
SMJK	SmartJack Loopback	Loopback from HRU to network initiated by (2-in-5) inband loopback code or out-of-band ESF data link code.
TLOS	Transmit Loss of Signal Loopback	HRU is in a logic loopback state caused by a loss of its T1 input from the CI (if enabled at the HRU through its TLOS switch option).
OFF	No Loopback	No loopback asserted.

Set Clock Screen

Press **B** at the Maintenance Terminal Main Menu to open the Set Clock screen (Figure 7).



Figure 7. Set Clock Screen



Time information is lost when power is removed. The last date, however, is retained in NVRAM and reappears when power is restored.

Set Time

The cursor defaults to the New Time field. To set the system time, type the hour and minute in the 24-hour format of **hh:mm:ss** (setting the seconds is optional), then press **ENTER**. The New Date field appears.

Set Date

To set the system date, type the month, day and year in a **mm/dd/yy** format, then press **ENTER**. The Update Remote field appears.



When editing entries in the Set Clock screen and when using the Terminal emulation program in Windows 3.1, pressing the **BACKSPACE key deletes two characters instead of just one.**

Update the HRU Time and Date

The remote unit date and time is set by using this option. Do one of the following:

- Press **U** to update the HRU to the same date and time set for the HLU-319.
- Press **ENTER**. (The time and date are not updated.)

System Settings Screen

The System Settings screen of the HLU-319 provides 14 options. Refer to [Table 8 on page 20](#) for a listing and description of system setting options.

Press **C** at the Maintenance Terminal Main Menu to open the System Settings screen ([Figure 8](#)).

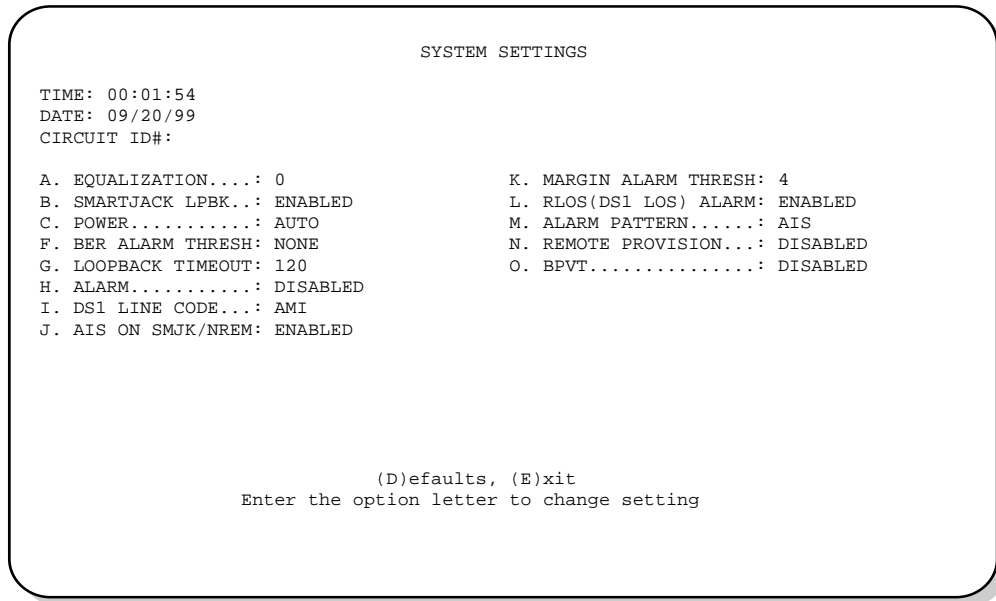


Figure 8. System Settings Screen



System settings can also be changed at an HRU that is remotely logged into the HLU-319. Screens viewed at the HRU are nearly identical to those viewed at the HLU, except power settings and remote provisioning settings cannot be changed.

You have the following options at the Systems Settings screen:

- Press the desired option letter to change that setting.
- Press **D** to set all user options to the factory default values.
- If changes were made, press **C** to confirm, or press any other key to ignore changes.
- Press **E** to exit and return to the main menu.



An invalid entry for Margin Alarm Threshold produces the following message and identifies the name of a field where the invalid entry occurred:

```
> error
```

Table 8 describes the System Settings options and lists the corresponding codes. Most of these options must be configured throughout the Maintenance Terminal System Settings screen. EQL, LBTO, LNCD, and CONF can also be set using the MODE and SEL buttons. Factory default parameters appear in boldface type.

Table 8. HLU-319 System Settings

System Settings Screen Options	Front Panel Display Code	Parameter	Description
Equalization ^(a)	EQL	0	Sets the Equalizer to DSX-1 for 0 to 133 feet.
		133	Sets the Equalizer to DSX-1 for 133 to 266 feet.
		266	Sets the Equalizer to DSX-1 for 266 to 399 feet.
		399	Sets the Equalizer to DSX-1 for 399 to 533 feet.
		533	Sets the Equalizer to DSX-1 for 533 to 655 feet.
SmartJack Loopback	LBPK	DIS	Configures the HiGain system to ignore all inband SmartJack loopback commands.
		ENA	Enables the HiGain system to recognize all inband SmartJack loopback commands.
Power (See "HDSL Line Voltage Options" on page 22.)	PWRF	DIS	Disables powering to the HDSL pair.
		LOW	Keeps the HDSL line voltage at -135 V maximum for all applications.
		AUTO	Allows the HDSL line voltage to automatically switch between -35 V maximum for non-doubler applications and ± 112 V for doubler applications.
		HIGH	Forces the HDSL line voltage to ± 112 V for all applications.
BER Alarm Threshold (See "BER Option" on page 22.)	BERT	1E-6	Drives the alarm output on pin H to +5 V and flashes the red Status LED when the BER exceeds 10^{-6} .
		1E-7	Drives the alarm output at pin H to +5 V and flashes the red Status LED when $10^{-6} > \text{BER} > 10^{-7}$.
		NONE	Prevents generation of a system alarm due to BER.
Loopback Timeout ^(a)	LBTO	NONE	Disables automatic time-out cancellation of all loopbacks.
		20	Sets automatic cancellation of all loopbacks to 20 minutes after initiation.
		60	Sets automatic cancellation of all loopbacks to 60 minutes after initiation.
		120	Sets automatic cancellation of all loopbacks to 120 minutes after initiation.
Alarm	ALM	DIS	Disables (inhibits) an alarm condition from driving the alarm output on pin H to +5 V.
		ENA	Enables an alarm condition to drive the alarm output on pin H to +5 V.
DSX-1 Line Code ^(a)	LNCD	B8ZS	Places both the HLU-319 and HRU into their B8ZS modes.
		AMI	Places both the HLU-319 and HRU into their AMI modes.
AIS on SMJK/NREM	SAIS	ENA	Causes the HRU to transmit the AIS signal towards the Customer Interface (CI) when in NREM or SmartJack loopback.
		DIS	Causes the HRU to either transmit the signal from the network towards the CI RCV port or to open and terminate its RCV CI port when an HRU NREM or SmartJack loopback is executed. The AIS signal is not sent (towards the CI).
Margin Alarm Threshold (See "Margin Alarm Threshold Option" on page 22.)	MARG	0 to 15 dB	The Margin Alarm Threshold can only be set through a maintenance terminal connected to the craft port. It determines the minimum allowable margin below which a system alarm can occur. Zero disables the alarm.
		4dB	Default value.

Table 8. HLU-319 System Settings (Cont.)

System Settings Screen Options	Front Panel Display Code	Parameter	Description
RLOS Alarm	RDA	ENA	Enables a remote DS1 LOS condition at the input to the HRU to generate an LOS alarm. AIS or LOS (depending on ALMP) is sent towards the network. The alarm pin H is also driven to +5 V indicating an alarm condition.
		DIS	Prevents a remote DS1 LOS condition at the input to the HRU from causing an LOS alarm. The front panel Status LED still flashes red and the ALRM RLOS message is displayed but pin H is not driven to +5 V and LOS is sent towards the network from the HLU instead of AIS.
Alarm Pattern	ALMP	AIS	Enables HiGain to output an AIS payload at its DS1 ports for LOSW, T1 LOS and Margin alarms.
		LOS	Enables HiGain to output an LOS condition at its DS1 ports for LOSW, T1 LOS and Margin alarms.
Remote Provisioning	RTPV	ENA	Enables provisioning at the remote end (when remotely logged in).
		DIS	Disables remote provisioning.
Bipolar Violation Transparency (See “BPVT Option” below.)	BPVT	ENA	Enables BPVs and HDSL CRC errors at the DS1 input to be converted into DS1 BPVs at the distant end’s DS1 output. This makes HiGain transparent to BPVs. Enabling this option also enables the Fast LOSW feature (see the note below).
		DIS	Inhibits reporting of BPVs and CRC errors at the DS1 input and disables the Fast LOSW reporting function.
Confirm Settings	CONF	YES	Confirms that all operating modes are to be updated to their current settings.
		NO	Prevents the most recently selected operating mode selections from being updated. They remain as they were before the system option settings mode was entered.

(a) Can also be configured using the MODE and SEL buttons on the HLU front panel.

BPVT Option

The HLU-319 List 5D improves HiGain’s compatibility with Digital Loop Carrier (DLC) feeder applications because of its ability to transmit T1 BPV occurrences between its T1 interfaces. This feature is required to support protection switching in DLC applications. Each DLC terminal must be able to monitor the integrity of its Receive T1 payload and then switch to the protected line when the integrity of the path drops below specific user-selected limits. An essential requirement of this feature is the need for each DLC terminal to detect BPVs in its T1 input. Standard HDSL systems correct T1 BPVs at the input and therefore prevent them from being detected by the DLC terminals to which they are connected. The HLU-319 and its associated remote units remove this limitation and become BPV transparent by detecting and counting input BPVs at each end and then replicating them at the T1 output port of the distant end. When the BPVT option is Enabled (ENA), the Fast LOSW feature reports LOSW conditions within approximately 2 seconds. When the BPVT option is Disabled (DIS), LOSW conditions may take up to 10 seconds.



When BPVT is enabled in systems with four or fewer doublers, the response time to an HDSL LOSW is reduced to approximately 70 milliseconds (ms), which gives DLC terminals time to react and avoid dropped calls. This is known as the “Fast LOSW” feature.

In addition, the CRCs in each direction of every HDSL loop of each span are also counted and added in with the BPV count to produce a Total Error Count (TEC) that indicates the integrity of both the T1 and HDSL paths. A TEC in each direction is calculated each second by adding the number of BPVs to the number of HDSL CRCs in that direction. The maximum TEC count is 12,000. This TEC number is converted into BPVs at the distant end during the following second at a rate of 1 BPV every 128 T1 bits up to a maximum of 12,000 (BER=7.7 x 10⁻³). This maximum rate is more than adequate since it exceeds the maximum 10⁻³ BER required by most DLC systems.

BER Option

The BER option also uses this (BPV/CRC) TEC to generate an Alarm if enabled. The HLU combines the 1-second TEC counts in both directions for the last 60 seconds. It uses this 1-minute Total Error Count (TEC) to generate an alarm if it exceeds the selected BER threshold of 1E-6 or 1E-7 as follows:

- BER option = 1E-6. Alarm is generated if TSEC > 92.
- BER option = 1E-7. Alarm is generated if TSEC > 9.

Once initiated, the alarm clears when the TSEC drops below its associated threshold count. For dribbling errors, the alarm can come and go in intervals as short as 1 second. Alarms due to bursty impulse noise transients usually require the full 60 seconds or longer to clear depending on the frequency of the transients. This BER option is always present in any line unit circuit since it is independent of other versions of HiGain modules in the circuit. When connected to an HRU, other than the HLU-402, HLU-406, or HLU-411, only the BVPs detected by the HLU are included in the TBC. The BPVs at the HRU are not counted.

Margin Alarm Threshold Option

To set the Margin Alarm Threshold:

- 1 Select **P** from the System Settings Main Menu screen.
- 2 Enter the desired minimum acceptable alarm threshold from the 0 to 15 dB range. This causes a system alarm to occur if either the margin on HDSL Loop 1 (MAL1) or Loop 2 (MAL2) drops below the selected threshold value.



Since the margin can never drop below zero, choosing **0** (zero) for the margin threshold turns the margin alarm off.

HDSL Line Voltage Options

The PWRF option has four settings for HDSL line power feed: DIS, LOW, AUTO, and HIGH.

- **DIS** disables any voltage from being applied to the HDSL cable pairs. It is useful to prevent craft personnel from being exposed to the HDSL line voltage when they are working on the cable pairs.
- **LOW** limits the HDSL simplex voltage to -135 V maximum. This is the standard voltage used in all non-doubler applications and has no effects in these applications. It can be chosen to limit line-powered, single-doubler circuits or locally-powered, two-doubler circuits up to -135 V, if the appropriate HiGain products (HDU-409, HDU-404 or HDU-407 and HRU-402 or HRU-411) are used along with the HLU-319. These HiGain units are the only ones that have sufficiently low power consumption to allow their doubler circuits to be line-powered from -135 V. The HRU-411 must have the CPE power option disabled if it is used in a -135 V doubler circuit.
- **AUTO** is the conventional mode in which the HLU automatically maintains the HDSL-like voltage at -135 V maximum for non-doubler applications and ± 112 V for doubler applications.
- **HIGH** forces the HDSL line voltage to its high ± 112 V level for applications. It is needed to allow the HLU to power circuits that are providing power to remote Personal Communication Systems (PCS) sites.



If the HLU-319 is used with the HRU-411 to power PCS sites, PWRF option should be set to **AUTO**. The HLU will automatically detect the need to switch to the **HIGH** power feed mode when it receives a request from the HRU to do so.

Loopback Mode Screen

The Loopback Menu permits you to issue loopbacks to the HiGain system. Depending upon the number of doublers, there can be up to five loopback screens.

Press **D** from the Maintenance Terminal Main Menu to display the Loopback Menu. [Figure 9 on page 24](#) shows an example of a Loopback Menu when no doublers are present; [Figure 10 on page 24](#) shows an example when four doublers are present.

The following options are available:

- Type **A** to select the Disable Loopbacks option.
- Type **B** to select HLU Network Loop.
- Type **C** to select HRU Network Loop.
- Type **G** to select HLU Customer Loop.
- Type **H** to select HRU Customer Loop.
- For doubler applications, additional loopback selections appear on the screen.
- Type **E** to exit and return to the previous menu.

[Table 9](#) lists the HLU-319 Loopback field messages and descriptions.

Table 9. Loopback Field Messages and Descriptions

Messages	Full Name	Description
NREM	Network Remote Loopback	Loopback at HRU (remote) towards network.
NLOC	Network Local Loopback	Loopback at HLU (local) towards network.
CLOC	Customer Local Loopback	Loopback at HRU (local) towards CI.
CREM	Customer Remote Loopback	Loopback at HLU (remote) towards CI.
NDU n	Network Doubler n Loopback	Loopback at n^{th} doubler towards network.
CDU n	Customer Doubler n Loopback	Loopback at n^{th} doubler towards CI.

Loopback Menu without Doubler

```

                                LOOPBACK MENU

TIME: 00:15:34
DATE: 09/20/99
CIRCUIT ID#:

      A. DISABLE LOOPBACKS
      B. NETWORK LOOP HLU      (NLOC)
      C. NETWORK LOOP HRU      (NREM)
      G. CUSTOMER LOOP HLU      (CREM)
      H. CUSTOMER LOOP HRU      (CLOC)

                                (E)xit

```

Figure 9. Loopback Menu: No Doubler

Loopback Menu for Doubler Applications

```

                                LOOPBACK MENU

TIME: 00:03:33
DATE: 09/20/99
CIRCUIT ID#:

      A. DISABLE LOOPBACKS
      B. NETWORK LOOP HLU      (NLOC)      M. NETWORK LOOP DOUBLER 4 (NDU4)
      C. NETWORK LOOP HRU      (NREM)      N. CUSTOMER LOOP DOUBLER 4 (CDU4)
      D. NETWORK LOOP DOUBLER 1 (NDU1)
      F. NETWORK LOOP DOUBLER 2 (NDU2)
      G. CUSTOMER LOOP HLU      (CREM)
      H. CUSTOMER LOOP HRU      (CLOC)
      I. CUSTOMER LOOP DOUBLER 1 (CDU1)
      J. CUSTOMER LOOP DOUBLER 2 (CDU2)
      K. NETWORK LOOP DOUBLER 3 (NDU3)
      L. CUSTOMER LOOP DOUBLER 3 (CDU3)

                                (E)xit

```

Figure 10. Loopback Menu: Four Doublers

Initiating a Loopback

To send one of the available loopbacks, press the appropriate letter in the Loopback Menu. The following prompt appears:

PLEASE WAIT.....

A series of dots moves from left to right indicating that the command has been issued. When this process completes, the system returns to the Maintenance Terminal Main Menu. The selected loopback four-letter designation now appears in the Loopback Mode field in the Maintenance Terminal Main Menu (see [Figure 11](#) in which an NLOC loopback is in progress). The loopback continues to cycle in the system depending upon your Loopback Timeout setting.



The Loopback Menu screen is also available at the HRU connected to the HLU-319, thus allowing all HiGain System loopbacks to be initiated from either end of the circuit.

```

HI-GAIN HLU-319 MAINTENANCE TERMINAL MAIN MENU   (ver V7.2L-5D)
          CIRCUIT ID#:

          A. VIEW SPAN STATUS
          B. SET CLOCK
          C. SYSTEM SETTINGS
          D. LOOPBACK MODE:  NLOC
          E. VIEW PERFORMANCE DATA
          F. VIEW PERFORMANCE HISTORY - 7 DAY
          G. VIEW PERFORMANCE HISTORY - 31 DAY
          H. VIEW ALARM HISTORY
          I. VIEW SYSTEM INVENTORY
          J. VIEW TROUBLESHOOTING
  
```

Figure 11. NLOC Loopback Mode Reported in the Maintenance Terminal Main Menu

Disabling a Loopback

The Disable Loopbacks option ([Figure 9 on page 24](#)) allows you to disable (cancel) any of the loopbacks listed in the screen. To disable loopbacks, press **A** in the Loopback Menu. The following prompt appears:

PLEASE WAIT.....

A series of dots moves from left to right indicating that the command has been issued. When this process completes, the system returns to the Maintenance Terminal Main Menu where the Loopback Mode is identified as None.

View Performance Data Screen

The Performance Data screen shows the Errored Seconds (ES) and Unavailable Seconds (UAS) for both HDSL loops and each T1 input at 15-minute intervals over a 4-hour time interval. (The ES and UAS data is separated by a slash mark.) Earlier and later data, in 4-hour time periods on different span screens, can be accessed by pressing **P** (Previous) or **N** (Next) respectively.

Errored and Unavailable seconds are defined in [Table 10](#).

Press **E** at the Maintenance Terminal Main Menu to view the Performance Data screen. From each Performance Data screen you can do the following:

- Press **P** to view the previous 4-hour data screen.
- Press **N** to view the next 4-hour data screen.
- Press **S** to view the next available span (for doubler applications).
- Press **1**, **2**, **3**, **4**, or **5** to select a specific span (for doubler applications).
- Press **E** to exit.



All Performance Data counters can be set to zero by pressing **C** (Clear) from the HLU-319 Span Status screen shown in [Figure 5 on page 15](#). The HLU-319 is considered the master module; it clears all performance data screens at both the HLU-319 and the HRU. Counters cannot be cleared by accessing the HRU craft port.



Since the HLU-319 is considered the master module, this clears all performance data screens at both the HLU-319 and the HRU. The RS-232 interface at the HRU does not allow the counters to be cleared.

Table 10. Errored and Unavailable Seconds Definitions

ES and UAS	Definition
HDSL Errored Second	A second in which at least one HDSL CRC has occurred.
HDSL Unavailable Second	A second in which an HDSL loop has loss of sync at least once.
DS1 Errored Second	A second in which at least one BPV, CRC, FRM error, or LOS has occurred.
DS1 Unavailable Second	A second in which at least one T1 LOS condition (175 ± 75 consecutive zeros) has occurred.

Performance Data Screen without Doubler

Figure 12 shows a single non-doubler span. This screen shows the Errored and Unavailable Seconds for the HDSL span between the HLU-319 and the HRU.

```

Time: 00:27:46      PERFORMANCE HISTORY - 31 DAY
CIRCUIT ID#:
                                ERRORED SECONDS/UNAVAILABLE SECONDS

                               DS1              HDSL-1            HDSL-2
                               HLU      HRU      HLU      HRU      HLU      HRU
01/17  -----/-----/-----/-----/-----/-----/-----/-----
01/18  -----/-----/-----/-----/-----/-----/-----/-----
01/19  / / / / / / / / / / / /
01/20  / / / / / / / / / / / /
01/21  / / / / / / / / / / / /
01/22  / / / / / / / / / / / /
01/23  / / / / / / / / / / / /
01/24  / / / / / / / / / / / /
01/25  / / / / / / / / / / / /
01/26  / / / / / / / / / / / /
01/27  / / / / / / / / / / / /
01/28  00001/ 00002/00002 00004/00014 00006/ 00003/00013 00007/00001
01/29  / / / / / / / / / / / /
01/30  00001/ 00002/00002 00004/00014 00006/ 00003/00013 00007/00001
01/31  00001/ 00002/00002 00004/00014 00006/ 00003/00013 00007/00001
current 00001/ 00002/00002 00004/00014 00006/ 00003/00013 00007/00001

                                (E)xit (P)revious
    
```

Figure 12. Performance Data Screen: No Doubler

Performance Data Screen for Doubler Applications

Figure 13 is an example of a Performance Data screen that lists performance data for the fifth span (HDU4 to the HRU). Invalid report entries are indicated by dashes.

```

Time: 00:26:29      SPAN 5 PERFORMANCE HISTORY - 31 DAY
CIRCUIT ID#:
                                ERRORED SECONDS/UNAVAILABLE SECONDS

                               DS1              HDSL-1            HDSL-2
                               HLU      HRU      HDU4     HDRU      HDU4     HRU
01/17  -----/-----/-----/-----/-----/-----/-----/-----
01/18  / / / / / / / / / / / /
01/19  / / / / / / / / / / / /
01/20  / / / / / / / / / / / /
01/21  / / / / / / / / / / / /
01/22  / / / / / / / / / / / /
01/23  / / / / / / / / / / / /
01/24  / / / / / / / / / / / /
01/25  / / / / / / / / / / / /
01/26  / / / / / / / / / / / /
01/27  / / / / / / / / / / / /
01/28  / / / / / / / / / / / /
01/29  00001/  / 00005/00415  / 00035/00492  /
01/30  / / / / / / / / / / / /
01/31  00001/ 00002/00002 00004/00014 00006/ 00003/00013 00007/00001
current 00001/  / 00005/00415  / 00035/00492  /

                                (E)xit (P)revious (S)pan(1)(2)(3)(4)(5)
    
```

Figure 13. Performance Data Screen: Four Doublers (Span 5)

View Performance History Screen (7-Day and 31-Day)

The Performance History screen shows the daily occurrences of ES and UAS over a 7-day or 31-day period in 24-hour increments. Errored Seconds and Unavailable Seconds for both HDSL loops and each of the two DS1 inputs are listed for the current and previous period.

Press **F** (7-day) or **G** (31-day) at the Maintenance Terminal Main Menu to open the Performance History screen. This screen shows the ES and UAS for the HDSL loop between the HLU-319 and the HRU.

The following options are available:

- Press **S** from the Performance History screen to advance through the history screens for the various spans (for doubler applications).
- From the 31-day Performance History screen press **N** (Next) for a continued history.
- From the 31-day Performance History screen press **P** (Previous) for the previous screen.
- Press **E** to exit from the Performance History screen.



All Performance History counters can be set to zero by pressing **C (Clear) from the HLU-319 Span Status screen shown in Figure 5 on page 15. The HLU-319 is considered the master module; it clears all performance data screens at both the HLU-319 and the HRU. Counters can not be cleared by accessing the HRU craft port.**

Performance History Screen without Doubler

Figure 14 shows a 7-day history for a non-doubler application.

```

Time: 00:16:55                Performance History - 7 DAY
CIRCUIT ID#:

                ERRORED SECONDS/UNAVAILABLE SECONDS

                DS1                HDSL-1                HDSL-2
                HLU    HRU    HLU    HRU    HLU    HRU
04/26    ---/---    ---/---    ---/---    ---/---    ---/---    ---/---
04/27    ---/---    ---/---    ---/---    ---/---    ---/---    ---/---
04/28    00001/    00002/00002    00004/00014    00006/    00003/00013    00007/00001
04/29    /    /    /    /    /    /
04/30    00001/    00002/00002    00004/00014    00006/    00003/00013    00007/00001
04/31    00001/    00002/00002    00004/00014    00006/    00003/00013    00007/00001
current  00001/    00002/00002    00004/00014    00006/    00003/00013    00007/00001

                (E)xit
  
```

Figure 14. 7-Day Performance History Screen: No Doubler

Performance History Screen for Doubler Applications (7-Day and 31-Day)

The Performance History screen displays information by span when doublers are present. With multiple doublers (up to four), there can be as many as five span screens. [Figure 15](#) is an example of a 31-day screen showing data for the fifth span between HDU4 and the HRU.

```

Time: 03:09:34
CIRCUIT ID#:
Span 5 PERFORMANCE HISTORY 31 DAY
ERRORED SECONDS/UNAVAILABLE SECONDS

```

	DS1		HDSL-1		HDSL-2	
	HLU	HRU	HDU4	HDRU	HDU4	HRU
04/17	---/---	---/---	---/---	---/---	---/---	---/---
04/18	/	/	/	/	/	/
04/19	/	/	/	/	/	/
04/20	/	/	/	/	/	/
04/21	/	/	/	/	/	/
04/22	/	/	/	/	/	/
04/23	/	/	/	/	/	/
04/24	/	/	/	/	/	/
04/25	/	/	/	/	/	/
04/26	/	/	/	/	/	/
04/27	/	/	/	/	/	/
04/28	/	/	/	/	/	/
04/29	00001/	/	00005/00415	/	00035/00492	/
04/30	/	/	/	/	/	/
04/31	00001/	00002/00002	00004/00014	00006/	00003/00013	00007/00001
current	00001/	/	00005/00415	/	00035/00492	/

(E)xit (P)revious (S)pan(1)(2)(3)(4)(5)

Figure 15. 31-Day Performance History Screen: Four Doublers (Span 5)

View Alarm History Screen

Press **H** at the Maintenance Terminal Main Menu to open the Alarm History screen. This screen allows you to view alarms that are currently active. In the Alarm History screen (Figure 16 and Figure 17 on page 31) the:

- First and Last columns contain the time and date stamp of the first and last occurrence of each alarm.
- Current column shows the status of each alarm.
- Count column lists the number of times each alarm occurred. (The maximum non-overflowing count is 999.)

From each Alarm History screen you can do the following:

- Press **U** to update the screen.
- Press **S** to view another span (for doubler applications).
- Press **C** to clear all data from the screen.
- Press **1**, **2**, **3**, **4**, or **5** to select a specific span (for doubler applications).
- Press **E** to exit from the Alarm History screen.

Table 11 lists the Alarm History fields and descriptions. These descriptions apply to the Alarm History for doubler applications as well.

Table 11. Alarm History Fields and Descriptions

Field	Description
Type	Identifies the type of alarm.
LOS, DS1-HLU	First and last instance of LOS at the HLU; Current condition, number of alarms.
LOS, DS1-HRU	First and last instance of LOS at the HRU; Current condition, number of alarms.
BER	First and last instance of a BER at the HRU; Current condition, number of alarms.
Span <i>n</i> LOSW, HDL1	First and last instance of LOSW on HDL1; Current condition, number of alarms.
Span <i>n</i> LOSW, HDL2	First and last instance of LOSW on HDL2; Current condition, number of alarms.
Span <i>n</i> Margin L1	First and last instance when margin dropped below the established threshold on Loop 1; Current condition, number of alarms.
Span <i>n</i> Margin L2	First and last instance when margin dropped below the established threshold on Loop 2; Current condition, number of alarms.
PWR-SHRT	Power short condition; Current condition, number of alarms.
PWR-GND	Power ground condition; Current condition, number of alarms.
Last Cleared:	Last time Alarm History was cleared.

Alarm History Screen without Doubler

```

                                ALARM HISTORY

TIME: 00:01:58
DATE: 09/20/99
CIRCUIT ID#:

Type           First           Last           Current       Count
LOS, DS1-HLU           OK             000
LOS, DS1-HRU           OK             000
BER                    OK             000
SPAN1 LOSW, HDL1 09/20/99-00:00 09/20/99-00:00 OK             001
SPAN1 LOSW, HDL2 09/20/99-00:00 09/20/99-00:00 OK             001
SPAN1 MARGIN L1        OK             000
SPAN1 MARGIN L2        OK             000
PWR-SHRT              OK             000
PWR-GND                OK             000

LAST CLEARED: 09/20/99-00:01

                                (E)xit (C)lear (U)pdate

```

Figure 16. Alarm History Screen: No Doubler

Alarm History Screen for Doubler Applications

The Alarm History screen displays information by span. With no doubler, there is only one span (Figure 16). With multiple doublers (up to four), there can be as many as five span screens. Figure 17 is an example of an Alarm History screen that lists history for the fifth span (Doubler #4 to the HRU).

```

                                ALARM HISTORY

TIME: 13:59:20
DATE: 09/20/99
CIRCUIT ID#:

Type           First           Last           Current       Count
LOS, DS1-HLU           OK             000
LOS, DS1-HRU           OK             000
BER                    OK             000
SPAN5 LOSW, HDL1 09/20/99-00:00 09/20/99-00:00 OK             001
SPAN5 LOSW, HDL2 09/20/99-00:00 09/20/99-00:00 OK             001
SPAN5 MARGIN L1        OK             001
SPAN5 MARGIN L2        OK             001
PWR-SHRT              OK             000
PWR-GND                OK             000

LAST CLEARED: 09/20/99-13:49

                                (E)xit (C)lear (U)pdate (S)pan(1)(2)(3)(4)(5)

```

Figure 17. Alarm History Screen: Four Doublers (Span 5)

System Inventory Screen

The System Inventory screen (Figure 18 on page 33) lists the six possible units that can comprise one HiGain circuit: one HLU, one HRU and up to four doublers. The information in the System Inventory Screen is presented as follows:

- All six possible unit modules are always listed. The doublers are shown as: DB1, DB2, DB3, DB4.
- The model number, list number and software revision number of every unit that is present in the circuit are listed in the Product column. Units that are not detected are not considered to be present in the circuit and are labeled N/A.
- Each of the unit IDs is limited to 24-character alpha-numeric characters. To change an ID, select its line identifying letter. The IDs, like the system settings, are stored in NVRAM and therefore remain when power is lost.
- The HLU has no unit ID number since it is usually identified by the Circuit ID number, which appears in every screen.
- All detected modules have the product number listed. When the HLU-319 loses sync with Span 1, the product types are replaced by the N/A label until sync is reestablished and each module can in turn be reidentified. Only the Circuit ID appears in the other HLU-319 List 5D Maintenance Terminal screens.

Press **I** at the Maintenance Terminal Main Menu to display the System Inventory screen (Figure 18 and Figure 19 on page 33).

From each System Inventory screen (depending on the number of doublers), you can do the following:

- 1 Select the unit for which you want to set the circuit ID by pressing the letter that precedes the unit name.
- 2 Type the circuit ID, then press **ENTER**.

You can use up to 24 alphanumeric characters for the circuit ID. If more than 24 characters are entered, a warning beep is emitted and only the first 24 characters are accepted.

- 3 To set the circuit ID for another unit, repeat [Step 1](#) and [Step 2](#).
- 4 Press **E** to exit the System Inventory screen.

The system prompts you to confirm the circuit ID.

- 5 Press **C** to confirm the circuit ID and exit the System Inventory screen.



Executing the default option from either the front panel or System Settings screen has no effect on the ID values.

System Inventory Screen without Doubler

```

                                SYSTEM INVENTORY
TIME: 00:27:59
DATE: 09/20/99
                                A. CIRCUIT ID:

UNIT      PRODUCT                UNIT ID
HLU       HLU-319 L5D V7.2        NOT REQUIRED
B. HRU    HRU-402 L1A V1.3        Remote Unit
C. DB1    N/A
D. DB2    N/A
F. DB3    N/A
G. DB4    N/A

                                (E)xit
Enter the item letter to change the ID

```

Figure 18. System Inventory Screen: No Doubler

System Inventory Screen for Doubler Applications

```

                                SYSTEM INVENTORY
TIME: 18:16:37
DATE: 09/20/99
                                A. CIRCUIT ID#:

UNIT      PRODUCT                UNIT ID
HLU       HLU-319 L5D V7.0        NOT REQUIRED
B. HRU    HRU-402 L1A V1.3        Remote Unit
C. DB1    HDU-404 L2 V1.2
D. DB2    HDU-404 L2 V1.2
F. DB3    HDU-404 L2 V1.2
G. DB4    HDU-404 L2 V1.2

                                (E)xit
Enter the item letter to change the ID

```

Figure 19. System Inventory Screen: Four Doublers

View Troubleshooting Screen

The Troubleshooting screen graphically analyzes the circuit and identifies problem areas.

Press **J** at the Maintenance Terminal Main Menu to view the Troubleshooting screen. The Troubleshooting screen of [Figure 20](#) shows an operational system with an HLU, HRU, and four HDUs (doubler).

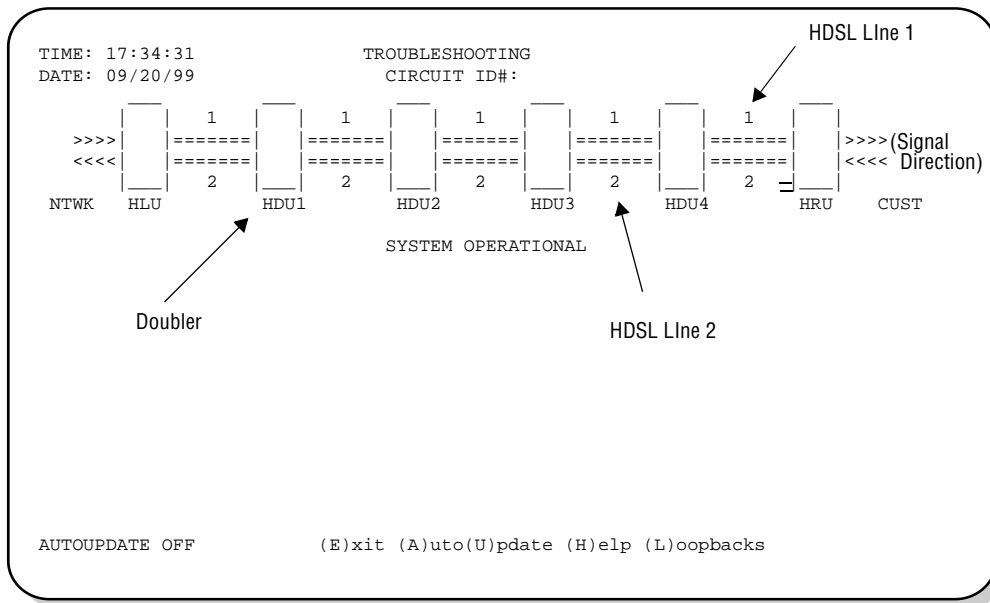


Figure 20. Troubleshooting Screen for an Operational System

[Figure 21](#) is an example of a troubleshooting diagram that has identified circuit problems and marked their location with the symbols AIS, C, X, and LOS. These symbols are described in the chart below the diagram. See [Figure 22](#) on page 35.

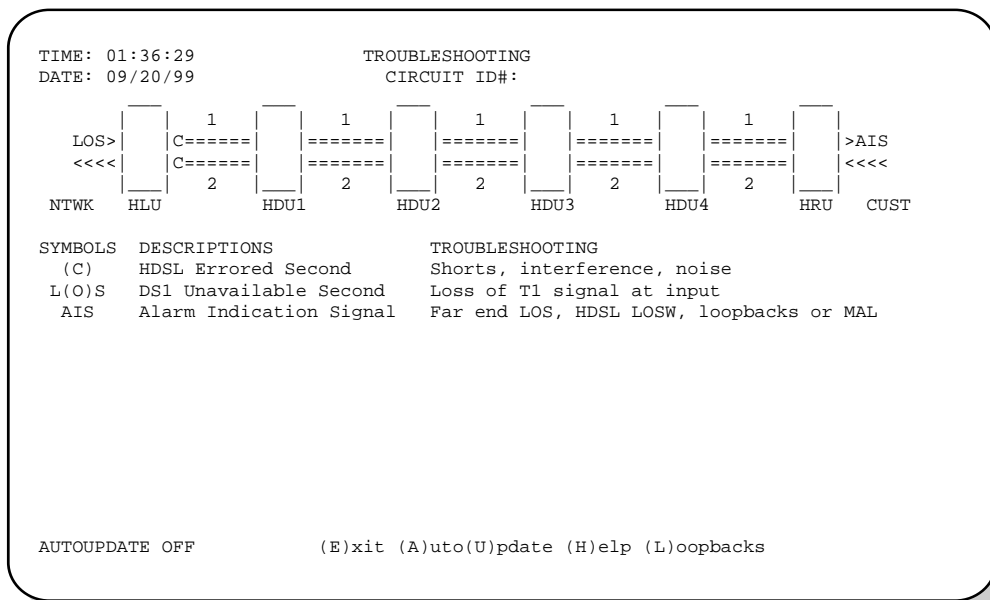


Figure 21. Troubleshooting Screen Identifying Circuit Problems

To display the circuit Help diagram (Figure 22), press **H**. The symbols used to describe all circuit events, circuit problems, and the corresponding troubleshooting tips are located beneath the Help diagram. A symbol on the diagram identifies an event or the location of a problem.

Those symbols appearing in parentheses are also keyboard commands that provide additional information.

- Press **M** to view margin values for the circuit (Figure 23 on page 36).
- Press **I** to view the insertion loss values for the circuit (Figure 24 on page 36).
- Press **C** to view the HDSL errored seconds values for the circuit (Figure 24 on page 36).
- Press **N** to view the HDSL unavailable seconds values for the circuit (Figure 24 on page 36).
- Press **R** to view the DS1 errored seconds values for the circuit (Figure 24 on page 36).
- Press **O** to view the DS1 unavailable seconds values for the circuit (Figure 24 on page 36).

The Troubleshooting screens use the following navigational keyboard commands:

- Press the **H** (Help), **M** (Margin Values), **I** (Insertion Loss), **C** (HDSL Errored Seconds), **N** (HDSL Unavailable Seconds), **R** (DS1 Errored Seconds), or **O** (DS1 Unavailable Seconds) toggle keys to enter or exit the respective troubleshooting screen.
- Press **E** to return back to the Maintenance Terminal
- Press **B** to return back to the main Troubleshooting screen from the Help, Margin Values or Insertion Loss screens.
- Press **U** to update a screen.
- Press **A** to automatically update the screen. (Press **A** again to deactivate auto update.) The Troubleshooting screen indicates whether AutoUpdate is on or off.
- Press **L** to directly access the Loopback menu (see “Loopback Mode Screen” on page 23).

```

TIME: 01:34:47          TROUBLESHOOTING with HELP
DATE: 09/20/99          CIRCUIT ID#:

  >>>> [ ] 1 [ ] 1 [ ] 1 [ ] 1 [ ] 1 [ ] 1 >>>>
  <<<< [ ] 2 [ ] 2 [ ] 2 [ ] 2 [ ] 2 [ ] 2 <<<<
NTWK  HLU  HDU1 HDU2 HDU3 HDU4 HRU  CUST

                SYSTEM OPERATIONAL

SYMBOLS  DESCRIPTIONS          TROUBLESHOOTING
) (      Loopback              ) - Network loopback; ( - Customer loopback
X        HDSL loop not in sync  Bad connection
(M)      Low Margin Alarm       Poor HDSL signal, long loop, interference
(I)      High Insertion Loss    Long loops, bridged taps
(C)      HDSL Errored Second    Shorts, interference, noise
(N)      HDSL Unavailable Second  Shorts, interference, noise
R        Channel Reversal      Channel Reversal nearest HLU is displayed
E(R)R    DS1 Errored Second     Errors include BPV, framing and CRC
L(O)S    DS1 Unavailable Second  Loss of T1 signal at input
AIS      Alarm Indication Signal  Far end LOS, HDSL LOSW, loopbacks or MAL

AUTOUPDATE OFF          (E)xit (A)uto(U)pdate (B)ack (L)oopbacks

```

Figure 22. Troubleshooting with Help

Press **M** to view margin values for the circuit (Figure 23).

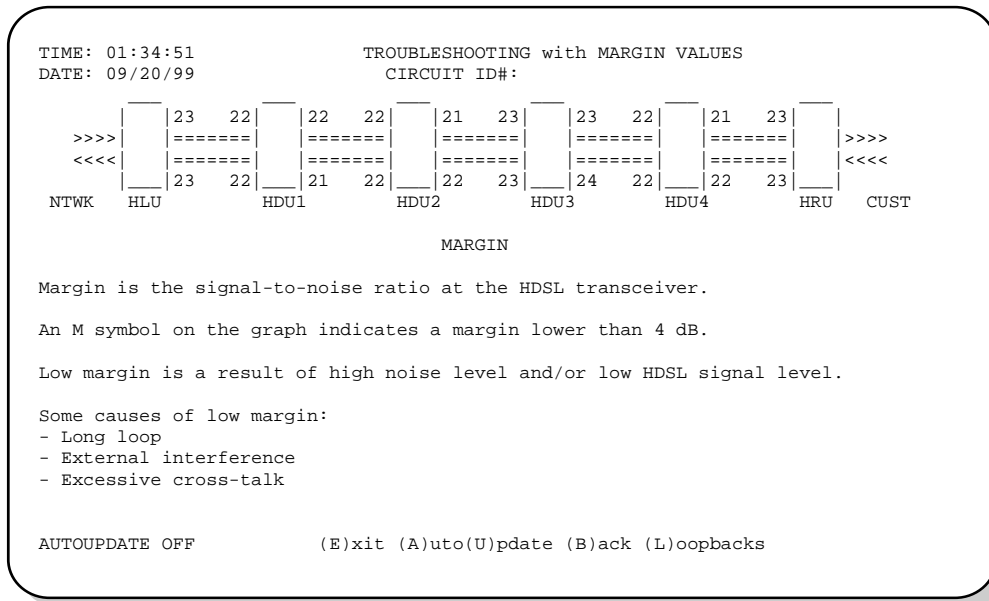


Figure 23. Troubleshooting with Margin Values

Press **I** to view the insertion loss values for the circuit (Figure 24).

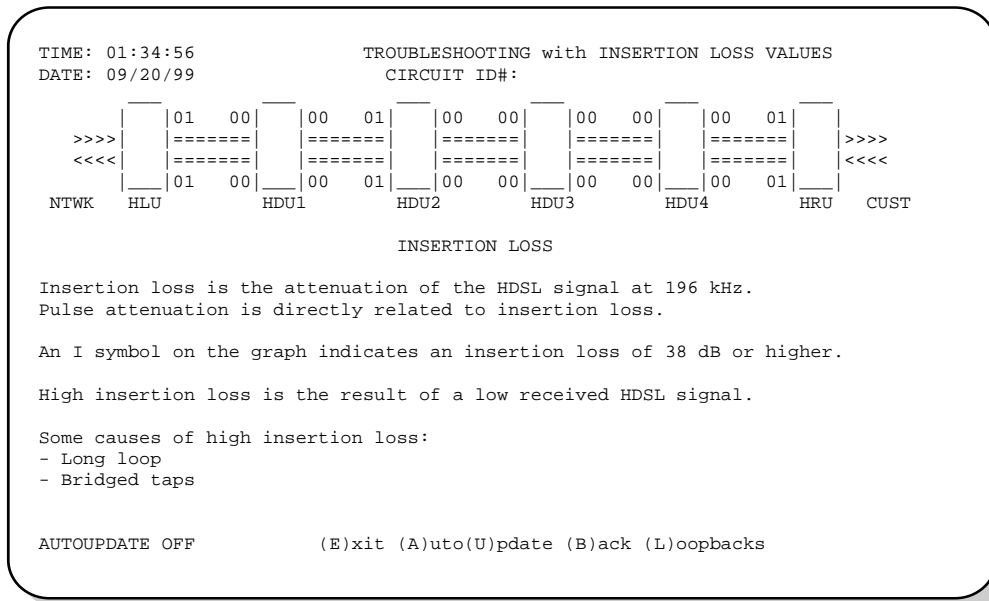


Figure 24. Troubleshooting with Insertion Loss Values

Press **C** or **R** (in **ERR**) to view the 24-hour DS1 and HDSL errored seconds values for the circuit (Figure 25).

```

DATE: 09/20/99                CIRCUIT ID#:
001 |-----| 009 002 |-----| 009 001 |-----| 005 002 |-----| 005 002 |-----| 004 009 |-----|
>>>> |=====| |=====| |=====| |=====| |=====| |=====| |=====| >>>>
<<<<< |=====| |=====| |=====| |=====| |=====| |=====| |=====| <<<<<
NTWK  HLU      HDU1      HDU2      HDU3      HDU4      HRU      CUST
                24 HOUR DS1 AND HDSL ERRORED SECONDS

A C symbol on the graph indicates an HDSL CRC error has occurred.
An ERR symbol on the graph indicates a DS1 error has occurred.
The maximum value can be displayed is 999.

Some causes of HDSL errors: Shorts, interference, noise

Some causes of DS1 errors:
- Bipolar Violation
- Framing error
- CRC error

AUTOUPDATE OFF                (E)xit (A)uto(U)pdate (B)ack (L)oopbacks

```

Figure 25. Troubleshooting with Errored Seconds Values

Press **N** or **O** (in **LOS**) to view the 24-hour DS1 and HDSL unavailable seconds values for the circuit (Figure 26).

```

TIME: 01:35:12                TROUBLESHOOTING with 24 HOUR UAS
DATE: 09/20/99                CIRCUIT ID#:
135 |-----| 013 002 |-----| 022 002 |-----| 178 001 |-----| 030 002 |-----| 019 001 |-----|
>>>> |=====| |=====| |=====| |=====| |=====| |=====| |=====| >>>>
<<<<< |=====| |=====| |=====| |=====| |=====| |=====| |=====| <<<<<
NTWK  HLU      HDU1      HDU2      HDU3      HDU4      HRU      CUST
                24 HOUR DS1 AND HDSL UNAVAILABLE SECONDS

An N symbol on the graph indicates an HDSL unavailable second has occurred.
An LOS symbol on the graph indicates a loss of signal has occurred.
The maximum value can be displayed is 999.

Some causes of HDSL unavailable seconds: Shorts, interference, noise

Some causes of DS1 unavailable seconds: Loss of Signal

AUTOUPDATE OFF                (E)xit (A)uto(U)pdate (B)ack (L)oopbacks

```

Figure 26. Troubleshooting with Unavailable Seconds Values

TROUBLESHOOTING

This section provides information about system alarms and loopback testing. In addition to these troubleshooting aids, the Maintenance Terminal provisioning interface includes troubleshooting screens that provide a graphical analysis of system problems (see “View Troubleshooting Screen” on page 34).

SYSTEM ALARMS

Table 12 lists possible HLU-319 alarm states and the corresponding front panel messages. More than one alarm condition can exist at any given time, but only one message can be displayed. For multiple alarms, only the highest priority alarm displays.

Table 12. HDSL System Alarms

Front Panel Message	Alarm State	Description	To Inhibit:
ALRM LOSW	Loss of Sync Word ^(a)	One of the HDSL loops has lost synchronization.	Cannot be inhibited.
ALRM LLOS	Local Loss of Signal	Loss of the DSX-1 input signal.	Cannot be inhibited.
ALRM RLOS	Remote Loss of Signal	Loss of the HRU DS1 input signal.	Disable the RDA (Remote DS1 Alarm) option. This prevents a LOS condition at the DS1 input to an HRU from closing the alarm contacts (pins 20 and 21 on the card-edge connector). The front panel Status LED still flashes red and the ALRM RLOS message displays to alert you of the LOS state. LOS is sent towards the network from the HLU. This option prevents the common occurrences of a CPE LOS condition from generating recurring alarms and AIS payloads.
ALRM MAL1 or ALRM MAL2	Margin Alarm Loop1 or Margin Alarm Loop2	The margin on HDSL Loop 1 or Loop 2 has dropped below the minimum threshold value set by the terminal MARGIN ALARM THRES.	Set the Margin Alarm Threshold option to 0 (zero).
ALRM BER	Bit Error Rate exceeded	The combined T1 and HDSL BER has exceeded the set threshold limits of 10 ⁻⁶ or 10 ⁻⁷ .	Select NONE for the BER system option.
NONE	No alarm	No current alarm condition.	Cannot be inhibited.

(a) When both HDSL loops lose sync word (LOSW), a system alarm condition exists. However, since the HLU-319 enters a self-test cycling mode, the front panel LED lights yellow instead of red and the SELF TEST message displays instead of the ALRM message.

Alarm Option for Digital Loop Carrier (DLC) Feed

To improve HiGain compatibility with the switch-to-protect features used in DLC feeder applications, the HLU-319 has an Alarm Pattern Option (ALMP) that allows you to select either an AIS or LOS T1 output payload for the following alarms:

- LOSW on any loop
- T1 LOS

Retiring System Alarms

To retire a system alarm, press the SEL button and execute an Alarm Cut Off (ACO). An ACO turns the alarm off and replaces the ALRM message with an ACO message. The second part of the ALRM message, which defines the cause of the alarm, remains. Both parts of the message remain until the alarm condition clears or another higher priority alarm occurs.

Self Test

The Self Test mode that occurs when both HDSL loops are not in sync has been enhanced to include the input DS1 transceiver chip. The Self Test procedure can cause the all ones pattern, that is normally transmitted from the HLU-319 during these out of sync intervals, to exhibit occasional BPVs.

LOOPBACK OPERATION

HiGain has a fixed A5LB Addressable Repeater Loopback (Figure 27) for analyzing circuit functionality. The loopback signal is transmitted and returned to the sending device for comparison. This allows you to verify the integrity of the HDSL channels to the HLU, the HLU DSX-1 interface and the DS1 channels to the customer.

Loopback commands are located in Table 14 on page 44 and can be initiated by

- selecting the loopback type using the MODE and SEL buttons on the HLU (or the Manual Loopback button on the HRU).
- selecting the loopback type from the Maintenance Terminal Main Menu when connected to the craft port of the HLU or HRU.
- entering the loopback code into the test equipment connected to the HLU or HRU.

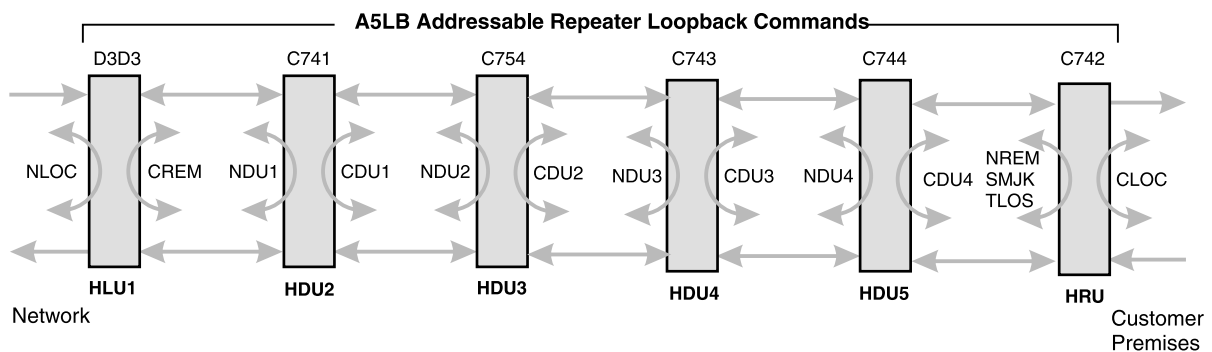


Figure 27. Loopback Summary

Table 13. Summary of HiGain Loopback Codes

Loopback	In-band		Method of Transmission		
	Code	Description	Test Set	Craft Port	MODE/SEL
ARM	11000. . . 2-in-5	NI LPBK	X		
SMJK LpUp (PL)	11000 2-in-5	SmartJack Loopup or NID payload (PL) code. Invokes HRU loopback towards network.	X		
SMJK LpUp (ESF-DL)	1111-1111-0100-1000	SmartJack Loopup or NID (ESF-DL) code. Invokes HRU loopback towards network.	X		
DISARM	11100. . . 3-in-5	IR LPDN	X		
SMJK LpDn (PL)	11100 3-in-5	SmartJack Loopdown or NID payload (PL) code. Removes SMJK, NLOC, NREM, CREM, CLOC, CDUX, and NDUX.	X		
SMJK LpDn (ESF-DL)	1111-1111-0010-0100	SmartJack Loopdown or NID (ESF-DL) code. Removes SMJK, NLOC, NREM, CREM, CLOC, CDUX, and NDUX.	X		
NLOC and CREM	D3D3	IOR LPBK (231 ± 2 bit errors)	X	X	X
NDU1 and CDU1	C741	ILR-1 LPBK (10 bit errors)	X	X	X
NDU2 and CDU2	C754	ILR-20 LPBK (200 bit errors)	X	X	X
NDU3 and CDU3	C743	ILR-3 LPBK (30 bit errors)	X	X	X
NDU4 and CDU4	C744	ILR-4 LPBK (40 bit errors)	X	X	X
NREM and CLOC	C742	ILR-2 LPBK (20 bit errors)	X	X	X



HiGain systems feature the SmartJack option, which can emulate a Network Interface Device (NID) for the purpose of loopback testing of the HiGain circuit. SMJK and NREM loopbacks perform the same functions but their initiation differs. SMJK indicates that the loopback was initiated by the 2-in-5 inband command. NREM, on the other hand, is initiated by the 3-in-7 inband command, by a command issued from the maintenance terminal, or by the MODE and SEL buttons.

Use the inband commands to enable or disable the SMJK loopback options. The HLU-319 system setting is normally enabled to recognize all inband SmartJack loopback commands.

A5LB Loopback Commands

A5LB is a special, addressable, repeater loopback mode which is supported by the HLU-319. This loopback mode provides the HiGain system with sophisticated maintenance and troubleshooting tools. The A5LB is patterned after the Teltrend Mod 1 addressable T1 repeater loopbacks and has been enhanced to handle the specific requirements of the following HiGain customers:

- Southern New England Telephone (SNET)
- Southwestern Bell
- Pacific Bell

The A5LB loopback selection complies with that proposed for HDSL systems in the T1E1.4/92 recommendation with the following additions:

- query loopback
- IOR (Intelligent Office Repeater) powerdown
- four loopback time-out choices
- initiation from either end
- repeating bit error signatures
- alternate query loopback

The A5LB loopback does not block the arming code from exiting the HLU-319 and entering the network.



A HiGain system may take longer than normal to respond to inband loopback commands when the framing mode is set to UNFR and the inband commands are set in either SF or ESF mode. The frame bits override the command bits and cause errors in the command sequence. These errors cause the HiGain system to reject some sequences.

Manual Loopback Session

A manual loopback session allows you to select any one of the HiGain A5LB loopbacks listed in [Table 13 on page 40](#) with the exception of SmartJack loopbacks, which can only be issued by inband commands.

Setting the Loopback Time-out Option

Before initiating a loopback session, verify that the Loopback Time-out parameter is set to the desired setting.

- 1 Use the MODE and SEL buttons as described in “[Setting Options through MODE and SEL](#)” on [page 10](#).
(The Loopback Time-out parameter is also user-selectable from the System Settings screen when using a maintenance terminal.)
- 2 Enter the desired setting:
 - NONE (no time-out)
 - 20 minutes
 - 60 minutes
 - 120 minutes (default setting)

Initiating a Manual Loopback Session



Any of the HiGain generic loopbacks, except SmartJack, can be executed using the MODE and SEL buttons.

When executing a manual loopback session using the MODE and SEL buttons:

- The next loopback option can be presented by pressing the MODE button; however, the previously activated loopback remains active until the SEL button is pressed, which activates the new loopback.
- If neither button is pressed for a period of 30 seconds and no loopback is in effect, the manual loopback session terminates and the display returns to normal mode.
- If any loopback is in effect, the 30-second time-out is inhibited. The active loopback and the manual loopback session continue until the loopback times out in accordance with the LBTO setting.
- Only the SMJK loopback can exist with other network loopbacks at any given time.
- If there is an active loopback, pressing the MODE and SEL buttons for 3 or more seconds terminates any active loopback, ends the manual loopback session and returns the display to normal mode.

To initiate a manual loopback session:

- 1 Press both the MODE and SEL buttons on the front panel for at least 3 seconds. The following message appears on the front-panel display:
MAN LPBK NLO?
- 2 Press SEL to activate NLOC. The display changes to MAN LPBK NLOC.
- 3 Press MODE to advance to the next available loopback (ND1? ND2? ND3? ND4? NRE? CRE? CD1? CD2? CD3? CD4? CLO?).
- 4 Press SEL to activate the selected loopback. The previous loopback is terminated.

Once a loopback is selected and activated, the loopback stays active until it times out (based on the LBTO setting). When a loopback times out, the display then returns to the normal display mode.

You can terminate loopbacks manually and exit the MAN LPBK mode by simultaneously pressing the MODE and SEL buttons for 3 or more seconds. If no loopback is active, the MAN LPBK mode automatically terminates after 30 seconds.

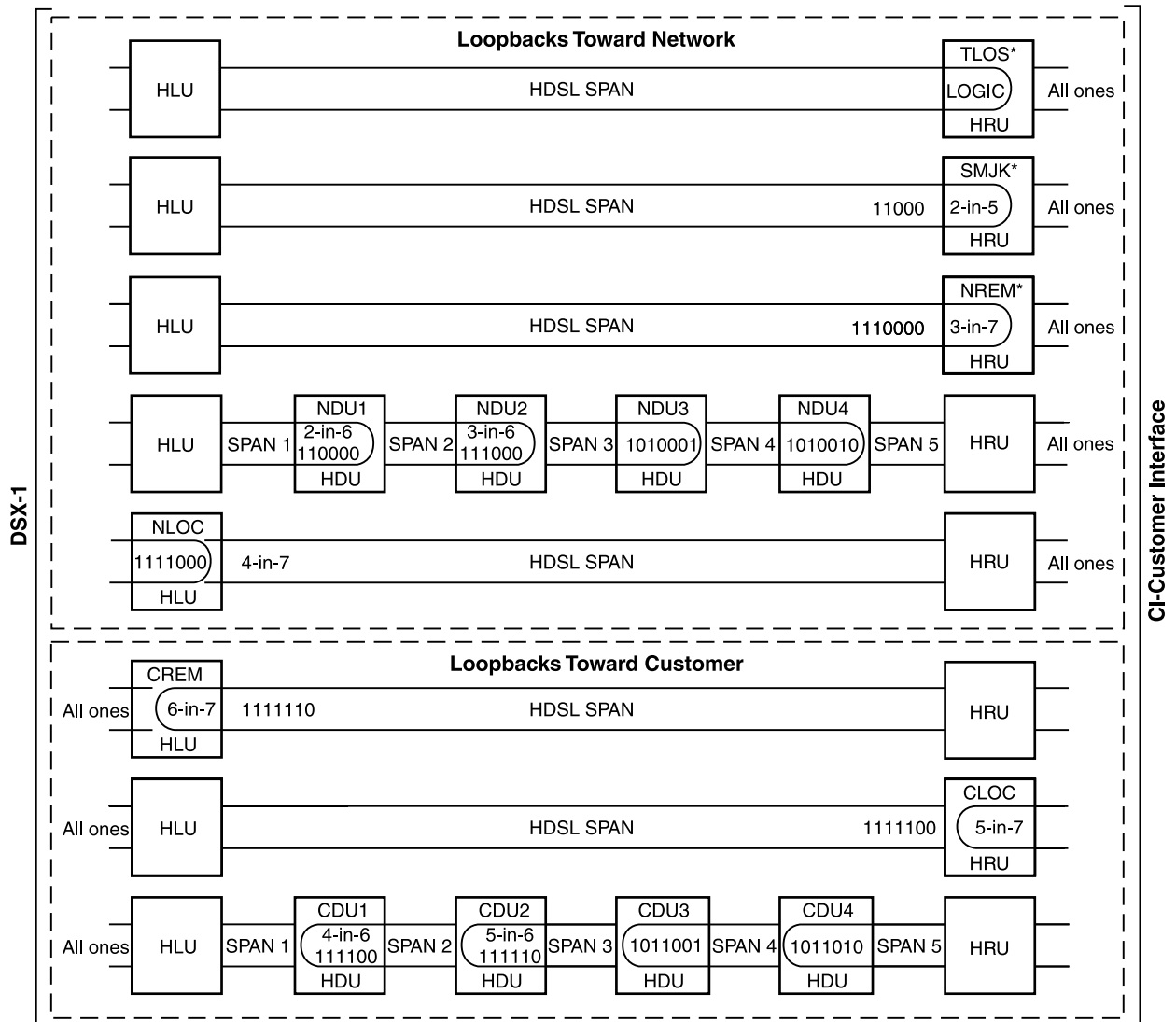
All loopbacks can be initiated by inband commands in the T1 payload or by a command from the HiGain system (front-panel buttons or maintenance screen selections). Therefore, when a loopback is active, the method by which it was activated is indicated in the Loopback and Status screens by the annotation HG (HiGain) or PL (Payload) adjacent to the identified loopback. For example, NREM (HG) indicates that the loopback was initiated by the HiGain system.



SMJK loopback commands are only activated by inband commands.

LOOPBACK TEST PROCEDURE

The following section provides a step-by-step test procedure for verifying the integrity of the HDSL loops at every module location as well as the DS1 loops to the customer and the local DSX-1 interface. Figure 28 shows the supported loopback configurations.



* Set the SAIS option to ENA to send AIS (indicated by an all ones pattern) to the CI during SmartJack loopback, NREM, and TLOS. Use the 3-in-5 code to loop down.

Figure 28. Supported Loopback Configurations

General Troubleshooting Tips

If trouble is encountered on the DSX-1 interface of the HLU-319, verify that the:

- HLU is making a positive connection with its mounting assembly (shelf) connector.
- HLU internal equalizer is set to the correct distance range per Table 8 on page 20. All equalizers should be set to the distance from the DSX-1 to the shelf.

A5LB Test Procedure

Using the codes listed in [Table 14](#), a network tester can activate NLOC, NDU or NREM loopbacks (or SMJK, if enabled). A technician at the customer premises can activate CLOC, CDU or CREM loopbacks. All loopbacks shown in [Table 14](#) can also be initiated from the HLU-319 front-panel MODE and SEL buttons (see “[Setting Options through MODE and SEL](#)” on page 10). Information specific to HiGain doublers is shown in bold type.

Table 14. Addressable Repeater Loopback Commands

Name	Description	Binary Code ^(a) (Hexadecimal Equivalent)
ARMING or NI LPBK (inband)	Arming code	11000 ...
ARMING or NI LPBK (ESF Data Link)	Arming code	1111-1111-0100-1000 (FF48)
IR LPDN or DISARM (inband)	Disarming code	11100 ...
IR LPDN or DISARM (ESF Data Link)	Disarming code	1111-1111-0010-0100 (FF24)
IOR LPBK (NLOC and CREM 230-232 bit errors and 229-231 bit errors) ^(b)	HLU loopup	1101-0011-1101-0011 (D3D3)
ILR-1 LPBK (NDU1 and CDU1 10 bit errors) ^(b)	HDU1 loopup	1100-0111-0100-0001 (C741)
ILR-20 LPBK (NDU2 and CDU2 200 bit errors)	HDU2 loopup	1100-0111-0101-0100 (C754)
ILR-3 LPBK (NDU3 and CDU3 30 bit errors)	HDU3 loopup	1100-0111-0100-0011 (C743)
ILR-4 LPBK (NDU4 and CDU4 40 bit errors)	HDU4 loopup	1100-0111-0100-0100 (C744)
ILR-2 LPBK (NREM and CLOC 20 bit errors)	HRU loopup	1100-0111-0100-0010 (C742)
IR LPDN	Loopdown (HLU, HDU, or HRU)	1001-0011-1001-0011 (9393)
IR QUERY LPBK	Query loopback	1101-0101-1101-0101 (D5D5)
IR ALTERNATE QUERY LPBK	Alternate query loopback	1101-0101-1110-1010 (D5EA)
TIME-OUT OVERRIDE	Loopback time-out override	1101-0101-1101-0110 (D5D6)
IOR POWER DOWN (HLU) ^(c)	Removes HDSL line power	0110-0111-0110-0111 (6767)

- (a) The left most bit arrives first in all sequences. The detection algorithm functions reliably with a random 10⁻³ Bit Error Ratio (BER) on the facility. The entire arming and loopback sequence can also be initiated at the remote HRU location.
- (b) The HRU identifies CREM (and the HLU identifies NLOC) with 231 bit errors, including the frame bits. When framed data is being sent in the AUTO framing mode, the number of the 231 bit errors detected by the test set varies from 229 to 231, depending on whether or not the test set counts frame errors as bit errors, and on the number of frame bits contained in the block of 231 error bits. The HRU and HLU generate this bit pattern in a series of discontinuous bursts containing 20-bit errors each, including frame bits. Those test sets that do not count frame error bits as data bit errors will indicate fewer bits than the HRU and HLU transmit for a CI and NI loopback.
- (c) The IOR Power Down code must remain present for the duration of the power down mode. When this code is removed, the HiGain system returns to its normal unlooped and unarmed state.

To perform the A5LB test procedure:

- 1 Send the inband Arming and NI LPBK code 11000 to the HLU-319 for at least 5 seconds.
- 2 Monitor the output of the HLU-319 for the return of the pattern. Return of the pattern indicates one of the following:
 - The HRU has looped up (if the SMJK Loopback option is set to Enabled).

- An external NI has looped up (if the SMJK Loopback option is set to Disabled), and the HLU and HRU have been armed.
- 3 Verify, if possible, that the HRU Loopback LED is either flashing yellow at 4-second intervals (indicating that the system is armed), or is a steady yellow (indicating that it is both armed and in SMJK loopback). The HLU Status LED also flashes yellow when the system is armed.
 - 4 Once armed, the HLU-319 can be looped back by sending Intelligent Office Repeater (IOR) LPBK activation code 1101-0011-1101-0011 (D3D3) for at least 5 seconds. You should observe the following activation response pattern:
 - a 2 seconds of all ones pattern
 - b 2 seconds of returning data pattern
 - c 231 logic errors (including the frame bit) occurring in the returned pattern comprising:
 - 10 errors, if ILR-1 (Doublor 1) was sent
 - 200 errors, if ILR-20 (Doublor 2) was sent
 - 30 errors, if ILR-3 (Doublor 3) was sent
 - 40 errors, if ILR-4 (Doublor 4) was sent
 - 20 errors, if ILR-2 (HRU) was sent
 - d normal looped data

This error pattern repeats every 20 seconds as long as the IOR loopback pattern is being sent. This also applies to ILR, Time-out Override, and Query commands.

The HLU is now in logic loopback if the IOR NLOC loopback command was sent. The Time-out Override command or a Loopdown command can override the selection made for the loopback time-out (see “[Setting the Loopback Time-out Option](#)” on page 41). If the Time-out Override code 1101-0101-1101-0110 (D5D6) is received after activating a loopback, then the automatic timed expiration of the loopback is inhibited. If this Time-out Override is sent, then the only way to loop the HLU-319 down is to do one of the following:

- Issue the IR (Intelligent Repeater) LPDN (loopdown) code 1001-0011-1001-0011 (9393).
- Issue the NI LPDN and Disarm inband code 11100 or the ESF-DL code (FF24).



The Time-out Override function is only valid for the current active loopback. The automatic time-out timer is restored during subsequent loopback sessions.

- 5 Once the test is complete, do one of the following:
 - If the system is to loopdown but remains Armed, send the IR LPDN code.
 - If all the equipment is to be looped down, disarmed and returned to normal operation, send the disarm inband code 11100 or the ESF-DL code (FF24).



The Armed mode has an automatic time-out of 120 minutes but this timer is reset to 120 for any of the following events:

- **Loopback terminates (manually or time-out)**
- **Query**
- **Alternate query**
- **Far end activate**
- **Another ARM command**

This timer is inhibited while any of the valid command codes are being sent. Once the codes are removed, the timer restarts at 120.

APPENDIX A - SPECIFICATIONS

This appendix provides general specifications, pinout diagrams for the craft port and card-edge connector, HDSL insertion loss guidelines, and power consumption and dissipation tables.

HDSL Line Code	784 kbps 2B1Q
HDSL Output	+13.5 dBm \pm 0.5 dB at 135 Ω
HDSL Line Impedance	135 Ω
Maximum Provisioning Loss	35 dB at 196 kHz, 135 Ω
Line Clock rate	Internal "Stratum 4" clock
HDSL Start-up Time	30 sec. (typical), 60 sec. (maximum) per span
One-way DS1 Delay	<200 μ s per span without doublers. Doubler delay <80 μ s
DSX-1 Line Impedance	100 Ω
DSX-1 Pulse Output	6 V ^{pk-pk} , pre-equalized for 0-655 feet of ABAM cable
DSX-1 Input Level	+1.5 to -7.5 dB DSX
DS1 Line Rate	1.544 Mbps \pm 200 bps
DS1 Line Format	AMI or B8ZS
DS1 Frame Format	ESF, SF or THRU
Maximum Heat Dissipation	See " Power Consumption " on page 47
Fusing	Internal; connected to Fuse Alarm output on pin 10
HDSL Span Voltage	-135 or \pm 112 Vdc
Electrical Protection	Secondary surge and power cross protection on HDSL ports. Requires external primary protection
Operating Temperature	-40 °F to +149 °F (-40 °C to +65 °C)
Operating Humidity	5% to 95% (non-condensing)
Mounting	STS high-density slot
Dimensions	
Height:	4.750 in. (12.10 cm)
Width:	0.625 in. (1.59 cm)
Depth:	10 in. (25.4 cm)
Weight:	0.45 lb. (.20 kg)
Wander (Looped)	0.3 UI maximum (1 UI = 648 ns)
WB Jitter (Looped)	0.2 UI maximum
NB Jitter (Looped)	0.1 UI maximum

HDSL INSERTION LOSS GUIDELINES

Each loop has no more than 35 dB of loss at 196 kHz, with driving and terminating impedances of 135 Ω . [Table 15](#) provides a “loss” guide for the various cable gauges at 196 kHz and 135 Ω . The table applies to the HDSL cable pairs between the HLU, HRU, and HDU modules. In the absence of specific insertion loss measurement data, add 3 dB for each bridged tap and 1 dB for each cable gauge change.

Table 15. HDSL Loss Over Cables

Cable Gauge (AWG/mm)	Loop Loss ^(a) (dB/kft)	Loop Resistance (Ω per kft)
26/0.4	3.88	83
24/0.51	2.84	52
22/0.61	2.18	32
19/0.91	1.54	16

(a) At 196 kHz, 68°F (20°C)



A Windows-based program, **Cable Calculator**, may be downloaded from the Customer Site portion of the PairGain Web page at www.pairgain.com. A password is required for access to the Customer Site Web pages. If you don't have a password, contact your PairGain sales representative.

POWER CONSUMPTION

The maximum power consumption and heat dissipation depends upon the type of remote and doubler units in the system and the CPE power setting.

Power Consumption without Doublers

The three most important power parameters of an HLU are its maximum power consumption, its maximum power dissipation and its maximum current drain.

[Table 16](#) describes line-powered circuits on 9 kft, 26 AWG loops without a doubler.

Table 16. Power Parameters—No Doubler

HRU Model No.	HRU CPE Power	42.5 V Power Consumption (Watts)		Heat Dissipation (Watts)		42.5 V Current (mA)	
		Typical	Maximum	Typical	Maximum	Typical	Maximum
HRU-412 List 1, 2, 3, 4	ON	12.0	13.2	5.1	5.6	284	312
HRU-412 List 1, 2, 3, 4	OFF	11.0	12.1	5.0	5.5	260	286
HRU-412 List 6, 7, 8	ON	12.6	13.9	5.2	5.7	297	327
HRU-412 List 6, 7, 8	OFF	9.7	10.7	4.5	4.9	228	251
HRU-402	N/A	7.7	8.5	4.5	4.9	182	200
HRU-411 ^(a)	ON	21.0	23.1	6.3	6.9	495	544
HRU-411	OFF	8.2	9.0	5.2	5.7	193	212

(a) HLU-319 PWRP option set to HIGH.

Power Consumption with Doublers

Table 17 through Table 23 list the power consumed and dissipated by the HLU-319 when it is used with any of the four basic doubler types in the HiGain family. The maximum current drawn by the CO supply is also listed.

Table 17 through Table 19 shows power parameters for single doubler, line-powered circuits on 9 kft, 26 AWG loops.

Table 17. Power Parameters—Single Doubler (HDU-451 List 1 or 2)

HRU Model No.	HRU CPE Power	42.5 V Power Consumption (Watts)		Heat Dissipation (Watts)		42.5 V Current (mA)	
		Typical	Maximum	Typical	Maximum	Typical	Maximum
HRU-412 List 1, 2, 3, 4	ON	27.5	30.3	7.6	8.4	646	711
HRU-412 List 1, 2, 3, 4	OFF	25.9	28.5	7.2	7.9	610	671
HRU-412 List 6, 7, 8	ON	27.7	30.5	7.6	8.4	651	716
HRU-412 List 6, 7, 8	OFF	24.3	26.7	7.1	7.8	571	628
HRU-402	N/A (OFF)	21	23.1	6.3	6.9	494	543
HRU-411	OFF	20	22.0	6.2	6.8	471	518

Table 18. Power Parameters—Single Doubler (HDU-439 or HDU-437 Lists 1 and 1B)

HRU Model No.	HRU CPE Power	42.5 V Power Consumption (Watts)		Heat Dissipation (Watts)		42.5 V Current (mA)	
		Typical	Maximum	Typical	Maximum	Typical	Maximum
HRU-412 List 1, 2, 3, 4	ON	22.3	24.5	7.9	8.6	525	578
HRU-412 List 1, 2, 3, 4	OFF	21.4	23.5	7.8	8.5	502	552
HRU-412 List 6, 7, 8	ON	22.3	24.5	8.0	8.8	524	576
HRU-412 List 6, 7, 8	OFF	19.2	21.1	7.3	8.1	452	497
HRU-402	N/A (OFF)	16.0	17.6	6.7	7.4	376	414
HRU-411	OFF	15.6	17.2	6.7	7.4	367	404

Table 19. Power Parameters—Single Doubler (HDU-404 List 2, HDU-407 List 2, and HDU-409 List 2)

HRU Model No.	HRU CPE Power	42.5 V Power Consumption (Watts)		Heat Dissipation (Watts)		42.5 V Current (mA)	
		Typical	Maximum	Typical	Maximum	Typical	Maximum
HRU-412 List 1, 2, 3, 4	ON	18.8	20.7	7.0	7.7	442	486
HRU-412 List 1, 2, 3, 4	OFF	18.0	19.8	7.1	7.8	424	466
HRU-412 List 6, 7, 8	ON	18.4	20.2	6.9	7.6	433	476
HRU-412 List 6, 7, 8	OFF	15.7	17.3	6.8	7.4	370	407
HRU-402	N/A (OFF)	12.5	13.8	5.9	6.5	294	323
HRU-411	OFF	12.0	13.2	5.8	6.4	283	311

Table 20 through Table 22 show power parameters for two doubler, line-powered circuits on 9 kft, 26 AWG loops.

Table 20. Power Parameters—Two Doublers (HDU-451 List 3, 4, 3B or 4B)

HRU Model No.	HRU CPE Power	42.5 V Power Consumption (Watts)		Heat Dissipation (Watts)		42.5 V Current (mA)	
		Typical	Maximum	Typical	Maximum	Typical	Maximum
HRU-402	N/A (OFF)	28.3	31.1	8.3	9.1	665	732
HRU-411	OFF	28.1	30.9	8.2	9.0	661	727

Table 21. Power Parameters—Two Doublers (HDU-439 or HDU-437 Lists 1 and 1B)

HRU Model No.	HRU CPE Power	42.5 V Power Consumption (Watts)		Heat Dissipation (Watts)		42.5 V Current (mA)	
		Typical	Maximum	Typical	Maximum	Typical	Maximum
HRU-412 List 1, 2, 3, 4	OFF	30.3	33.3	8.0	8.8	713	784
HRU-412 List 6, 7, 8	OFF	28.1	30.9	7.7	8.5	660	726
HRU-402	N/A (OFF)	24.8	27.3	7.2	7.9	584	642
HRU-411	OFF	27.7	30.5	7.5	8.3	652	717

Table 22. Power Parameters—Two Doublers (HDU-404 List 2, HDU-407 List 2, and HDU-409 List 2)

HRU Model No.	HRU CPE Power	42.5 V Power Consumption (Watts)		Heat Dissipation (Watts)		42.5 V Current (mA)	
		Typical	Maximum	Typical	Maximum	Typical	Maximum
HRU-412 List 1, 2, 3, 4	ON	24.4	26.8	7.2	7.9	575	633
HRU-412 List 1, 2, 3, 4	OFF	22.1	24.3	6.8	7.5	520	572
HRU-412 List 6, 7, 8	ON	25.9	28.5	7.4	8.1	609	670
HRU-412 List 6, 7, 8	OFF	20.2	22.2	6.4	7.0	476	524
HRU-402	N/A (OFF)	17.4	19.1	7.1	7.8	410	451
HRU-411	OFF	16.5	18.2	6.0	6.6	389	428

Table 23 shows power parameters for three doubler, line-powered circuits or four doubler, locally-powered circuits on 9 kft, 26 AWG loops.

Table 23. Power Parameters—Three or Four Doublers (HDU-404 List 2, HDU-407 List 2, and HDU-409 List 2)

HRU Model No.	HRU CPE Power	42.5 V Power Consumption (Watts)		Heat Dissipation (Watts)		42.5 V Current (mA)	
		Typical	Maximum	Typical	Maximum	Typical	Maximum
HRU-402, 3-doubler, line-powered	N/A (OFF)	22.9	25.2	8.1	8.9	539	593
HRU-402, 4-doubler, local power	N/A (OFF)	23.7	26.1	8.0	8.8	557	613

MAXIMUM POWER DISSIPATION

The Maximum Power Dissipation measures the power that is converted into heat that builds up within the unit. It contributes to the total heat generated in the space around the unit. It is used to determine the maximum number of fully loaded shelves per bay that does not exceed the maximum allowable power dissipation density in watts per square foot to comply with GR-63.

In COs, the maximum power dissipation for open-faced, natural convection-cooled mountings is limited to 134.7 watts per square foot per GR-63-CORE. The footprint of a standard 28-slot, 23-inch HCS-417 shelf is 7.024 square feet. Thus, the maximum bay dissipation is limited to 946 watts. Use this limit and the parameters in [Table 16](#) through [Table 23](#) to determine the maximum number of HLU circuits that can occupy one CO bay.



This is a worst case situation since it assumes the entire CO is subjected to the maximum power density. More favorable conditions would permit increasing the number of shelves per bay without jeopardizing the CO thermal integrity.

The thermal loading limitations imposed when using the HLU in a Controlled Environmental Vault (CEV) or other enclosures are determined by applying its power parameters to the manufacturer's requirements for each specific housing.

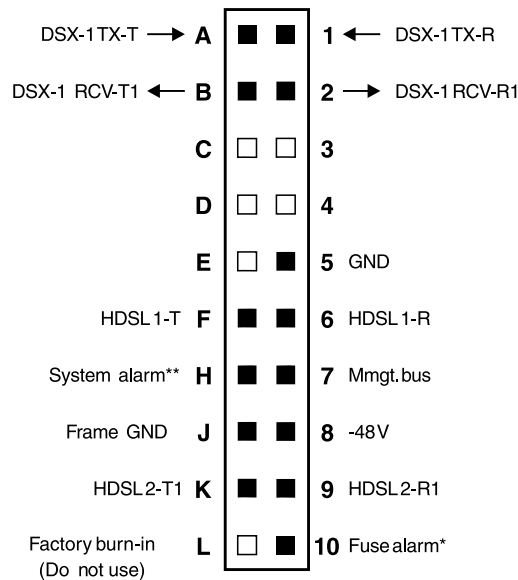
The 42.5 V Power Consumption is the maximum total power that the HLU-319 consumes or draws from the shelf power source. This parameter is needed when the HLU-319 is in a location remote to the CO it is serving. It determines the battery capacity required to maintain an 8-hour, stand-by battery reserve for emergency situations. Battery capacity, therefore, limits the maximum number of line units which can be installed in a remote enclosure. Use the data in [Table 16](#) through [Table 23](#) to perform this analysis on a case by case basis.

MAXIMUM CURRENT DRAIN

The Maximum Current Drain is the maximum current drawn from the shelf power supply when its at its minimum voltage (-42.5 V). This determines the shelf fusing requirements. Use the 42.5 V current data in [Table 16](#) through [Table 23](#) to determine the shelf fusing requirements for your particular HLU applications.

HLU-319 CARD-EDGE CONNECTOR

Figure 29 shows the card-edge connector on the HLU-319 List 5D. Active pins are highlighted in black.



* Fuse alarm
Normal = Floating (0 to -60 Vdc maximum)
Activated = -48 Vdc, 10mA maximum

** System alarm
Normal = Floating (+5 to -60 Vdc maximum)
Activated = +5 V, 10mA maximum

Figure 29. HLU-319 List 5D Card-edge Connector

Network Management Control Bus

The HLU-319 provides a Network Management Control Bus on pin 7 of the card-edge connector. This allows the various PairGain Management System protocols to manage the HLU through the HiGain Management Unit. Whenever the HLU-319 is under management, the MNGD message displays periodically on the HLU-319 front panel display.



Some HLU-319 features are affected when it is under management. Consult the management unit practice for further information.

Fuse Alarm

Pin 10 (Figure 29) on the card-edge connector is a fuse alarm that is driven to -48 V through a 1000 Ω resistor whenever the onboard fuse opens.

System Alarm Output

Pin H (Figure 29 on page 51) on the card-edge connector is the HLU-319 System Alarm output pin. The following applies to Pin H.

- Pin H replaces the Local Loss of Signal (LLOS) on normal high-density (3192) repeaters.
- The normally floating output of Pin H can connect to pin 1 of the 1184 or 3192-9F Alarm Card in position 29 of the High Density (HD) shelf.
- The HLU-319 forces pin H to +5 V (maximum of 10 mA) for a system alarm condition. Pin H then remains at +5 V for the duration of the alarm condition.
- If the Wescom 1184 Alarm Card is installed in the shelf, its LOS LED lights for every MNALM.
- The HLU-319 Status LED flashes red for the duration of a system alarm condition.
- Setting the ALM option to DIS only prevents the system alarm bus on Pin H from being activated for a system alarm event. The STATUS LED still flashes red and the ALRM message still displays.



Pin H must never be taken above +5 V or below -60 V.

See “Troubleshooting with Errored Seconds Values” on page 37 for further information.

CRAFT PORT

Figure 30 shows the pinout for the craft port connector and its connection to a DB-9 or DB-25 connector on a maintenance terminal.

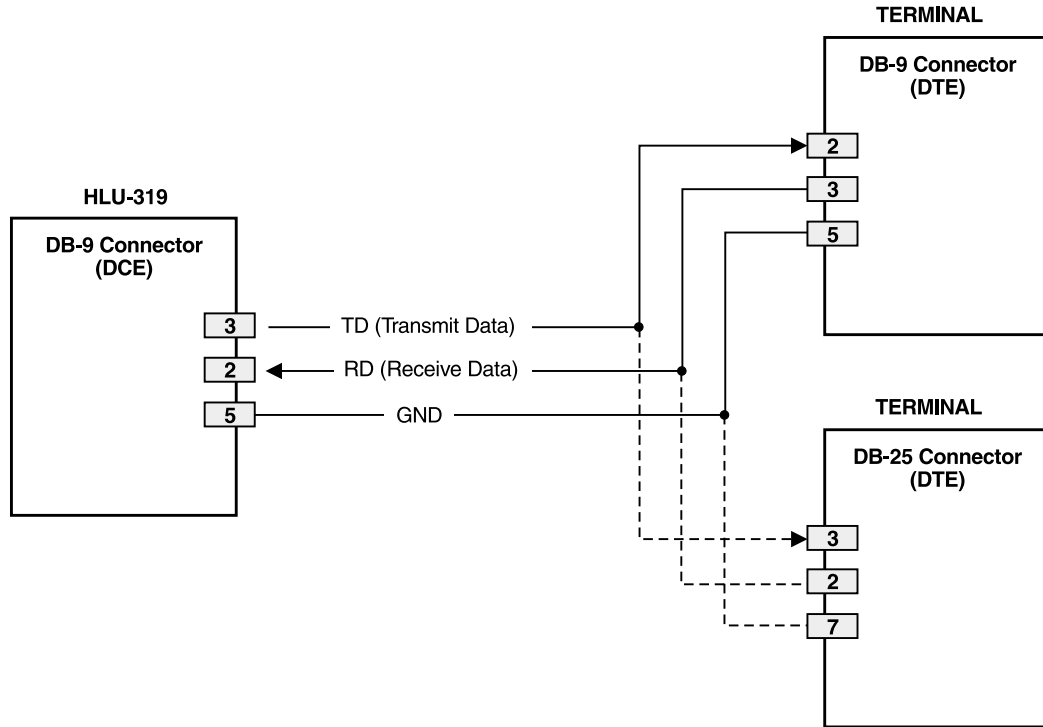


Figure 30. RS-232 Craft Port Pinouts

APPENDIX B - FUNCTIONAL OPERATION

PairGain HDSL technology provides full-duplex services at standard T1 rates over copper wires between an HLU and an HRU, which comprise one HiGain system. HiGain systems use PairGain 2-Binary 1-Quaternary (2B1Q) HDSL transceiver systems to establish two, full-duplex, 784 kbps data channels between the HLU-231 and a remotely located HDU or HRU. This provides a total capacity of 1.568 Mbps between the two units.

A block diagram of the HLU-319 is shown in Figure 31. The HLU-319 receives a 1.544 Mbps DSX-1 data stream from the DSX-1 digital cross connect interface. The HLU-231 contains a DS1 frame synchronizer controlled by an 8-bit microprocessor that determines the type of framing on the DS1 stream and synchronizes to it. The HLU-319 recognizes Superframe (SF), including D4, or Extended Superframe (ESF) framing. When the data is unframed, the HLU-319 arbitrarily defines a frame bit.

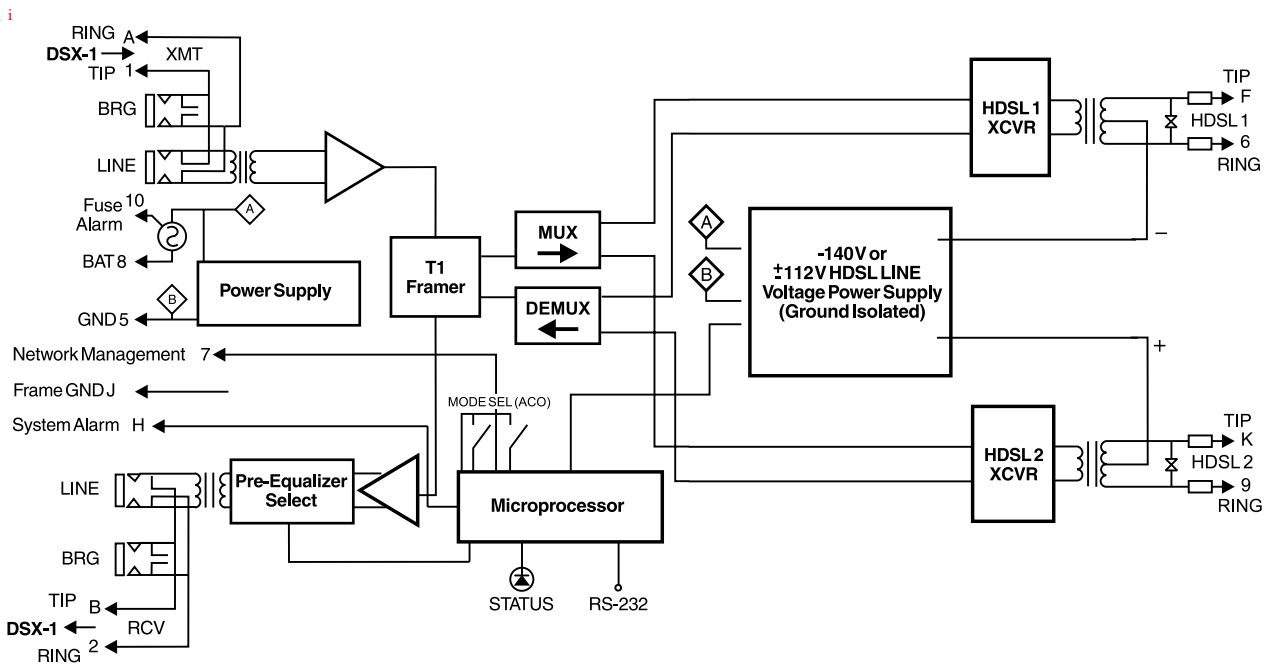


Figure 31. HLU-319 Block Diagram

TIMING

The low loop wander (0.3 UI max) of an HLU-319, when used with compatible doublers (HDU-409, HDU-404 or HDU-407) and remote units (HRU-402 or HRU-411), allows the circuit to be used in all critical timing applications, including those that are used to transport Stratum 1 timing.

GROUND FAULT DETECT

The HLU-319 has a Ground Fault Detect (GFD) circuit which detects a ground or a resistive path to ground on any wire of any loop of any span with a non-zero voltage. For low (-135 V) applications, such a circuit is active during start-up by applying the bipolar voltage to the loops. It deactivates when going to the nominal operation mode of unipolar negative voltage (0 V and -135 V). The circuit is constantly active during high (± 112 V) applications.

When the circuit is active, the system is compliant with Class A2 requirements of GR-1089. When the circuit is not active, the system is compliant with Class A3 requirements of GR-1089.

Whenever the GFD circuit detects a grounded loop, the line power is immediately removed from the spans and a PWR FEED GND alarm is generated and displayed. The power is reapplied 30 seconds later as part of a new start-up procedure. If the ground condition persists on the span, the power is removed again when the GFD circuit detects such a condition.

The indication of the location of the ground fault can be obtained by monitoring the voltages on the spans on the HLU side as it sequentially powers devices in subsequent spans. The first span that fails to sustain any voltage contains the fault. There may be exceptions to this in certain configurations.

APPENDIX C - COMPATIBILITY

The HiGain system uses HDSL transmission technology as recommended by Bellcore TA-TSY-001210. The HiGain system complies with GR-63-CORE, TR-TSY-000499, and GR-1089-CORE.

T1 REPEATER SHELVES AND RELATED EQUIPMENT

The HLU-319 is designed to mount in the following shelves with 3192 mechanics:

- PairGain HMS-317 (28-slot, 23-inch shelf)
- PairGain HHS-319 (3-slot, 19-inch horizontal shelf)
- PairGain HMS-308 (8-slot remote enclosure)
- Charles Ind. #3192 (28-slot connectorized)
- Charles Ind. #3192-9F Alarm Card
- Charles Ind. #3192-WR (28-slot wire wrap)
- Charles Ind. #343-00 (12- to 14-slot wire wrap)
- Charles Ind. #319-02 (22-slot connectorized)
- Charles Ind. #319-04 (22-slot wire wrap)
- Charles Ind. #340-00 (9- to 11-slot wire wrap)



The Charles Ind. 343-00 and 340-00 shelves do not support the HLU-319 System Alarm output on pin H. Also, if slots 1 and 2 of these shelves were wired for the 3408 Fault Locate unit, they must be rewired to accept the HLU-319.

- Larus #1185 (28-slot connectorized)
- Larus #1184 Alarm Card

HIGAIN DOUBLER CIRCUIT DEPLOYMENT

All generations of HiGain HLU and HRU modules are compatible with each other. Although all HiGain doublers are backward-compatible with all prior HLU and HRU models, some of the circuit application enhancements of newer doubler models require that all circuit modules be of the same vintage in order to realize these enhancements. Enhanced doubler applications preclude the mixing of newer doubler models with older models of the HRU and HLU.

Table 24 on page 57 provides a matrix of HiGain doubler deployment rules to achieve maximum circuit enhancement. It lists:

- Maximum number of doublers allowed for a given circuit, depending upon the doubler and line unit models used to implement the circuit.
- Any restrictions on the HRU models



All spans are fully CSA-compliant unless otherwise specified. Circuits that use more than one type of doubler are governed by the most limiting doubler rules. For example, if the HDU-451 is used with the HDU-409, use the HDU-451 deployment rules.

Table 24. HiGain Doubler Deployment Matrix

HLU Model	Maximum Number of Doublers Per Circuit ^(a)											
	HDU-451, List 3, 3B, 4, 4B				HDU-437, 439				HDU-404, 407, 409			
	Line Powered		Local Powered		Line Powered		Local Powered		Line Powered		Local Powered	
	I-CPE ON	I-CPE OFF	I-CPE ON	I-CPE OFF	I-CPE ON	I-CPE OFF	I-CPE ON	I-CPE OFF	I-CPE ON	I-CPE OFF	I-CPE ON	I-CPE OFF
HLU-231 List 3D/6D HLU-319 List 2X; HLU-388 List 2X	1	1	2	2	1	1	2	2	1	1	2	2
HLU-231, List 7X; HLU-431, List 1D	1	1	2	2	1	2 ^(b)	2	2	1	2	2	2
HLU-231, List 8X HLU-319, List 5X HLU-388 List 5X	1	2 ^(c)	2	2	1	2	2	2	2	3 ^(c)	2	4 ^(d)
HLU-431 List 1F	0	0	1	1	0	0	1	1	1	1	1	2

(a) HRU-411 applications with I-CPE "on" are limited to single doubler circuits (HDU-404, HDU-407 or HDU-409) using HLU-231, List 8/8A/8D/8E; HLU-319, List 5/5A/5D/5E; and HLU-388 List 5/5A/5D/5E. The HRU-412, HDU-451, HDU-437 and HDU-439 are limited to applications with one and two doublers only.

(b) 2000 Ω maximum loop resistance. Requires HRU-412, List 7A, List 8A or HRU-402 or HRU-411.

(c) Requires HRU-402 or 411.

(d) Requires a locally powered HRU-402.

APPENDIX D - PRODUCT SUPPORT

PairGain Customer Service Group provides expert pre-sales and post-sales support and training for all its products.

TECHNICAL SUPPORT

Technical assistance is available 24 hours a day, 7 days a week by contacting PairGain Customer Service Group at:

Telephone:	800.638.0031 or 714.832.9922 The 800 telephone support line is toll-free in the U.S. and Canada.
Fax:	714.832.9924
Email	support@pairgain.com

During normal business hours (7:30 AM to 5:30 PM, Pacific Time, Monday through Friday, excluding holidays), technical assistance calls are normally answered directly by a Customer Service Engineer. At other times, a request for technical assistance is handled by an on-duty Customer Service Engineer through a callback process. This process normally results in a callback within 30 minutes of initiating the request.

WORLD WIDE WEB

PairGain product and company information can be found at <http://www.pairgain.com> using any Web browser. To download PairGain product manuals from the Customer Site portion of the PairGain Web page, you need to provide a customer password. If you do not have a password, contact your PairGain sales representative.

RETURNS

To return equipment to PairGain:

- 1 Locate the number of the purchase order under which the equipment was purchased. You will need to provide this number to PairGain's Sales Administration, RMA Department, to obtain a return authorization.
- 2 Call or write PairGain's Sales Administration, RMA Department, to ask for a Return Material Authorization (RMA) number and any additional instructions. Use the telephone number, fax number or email address listed below:
 - Telephone: 800.370.9670
 - Fax: 714.832.9923
 - Email Address: rma@pairgain.com
- 3 Include the following information, in writing, along with the equipment you are returning:
 - Company name, address, the name of a person PairGain can contact regarding this equipment, and a phone number.
 - The purchase order number provided to the RMA Department when the RMA number was requested.

- A description of the equipment, as well as the number of units that you are returning. Be sure to include the model and part number of each unit.
- The shipping address to which PairGain should return the repaired equipment.
- The reason for the return:
 - The equipment needs an ECO/ECN upgrade.
 - The equipment is defective.



If the equipment is defective, please tell us what you observed just before the equipment malfunctioned. Be as detailed in your description as possible.

- If there is another reason for returning the equipment, please let us know so we can determine how best to help you.

- 4 Pack the equipment in a shipping carton.
- 5 Write PairGain's address and the Return Material Authorization (RMA) Number you received from the RMA Department clearly on the outside of the carton and return to:

PairGain Technologies, Inc.
14352 Franklin Ave.
Tustin, CA 92780-7013

Attention: **CRF RMA (Number)**



All shipments are to be returned prepaid. PairGain will not accept any collect shipments.

APPENDIX E - GLOSSARY

2B1Q	2 Binary, 1 Quaternary	HMU	HiGain Management Unit
ACO	Alarm Cut Off	HRE	HiGain Remote Enclosure
AIS	Alarm Indicator Signal	HRU	HiGain Remote Unit
ALMP	Alarm Pattern	I-CPE	Current (amperes) requirements for Customer Premises Equipment
AMI	Alternate Mark Inversion	ILR	Intelligent Line Repeater
AWG	American Wire Gauge	IOR	Intelligent Office Repeater
B8ZS	Bipolar with 8-zero Substitution	IR	Intelligent Repeater
BER	Bit Error Rate	LED	Light Emitting Diode
BPV	Bipolar Violation	LOS	Loss of Signal
BPVT	Bipolar Violation Transparency	LOSW	Loss of Sync Word
BRG	Bridge	NEC	National Electric Code
CI	Customer Interface	NI	Network Interface
CLEI	Common Language Equipment Identifier	NID	Network Interface Device
CLOC	Customer Local Loopback	NLOC	Network Local Loopback
CO	Central Office	NMA	Network Management and Administration
CPE	Customer Premises Equipment	NREM	Network Remote Loopback
CRC	Cyclic Redundancy Check	NVRAM	Non-Volatile Random Access Memory
CREM	Customer Remote Loopback	PCS	Personal Communication Services
CSA	Carrier Service Area	PL	Payload
DDS	Digital Data Service	POTS	Plain Old Telephone Service
DIS	Disabled	PWRF	Power Feed
DLC	Digital Loop Carrier	RCV	Receive
DS1	Digital Signal, level 1	RDA	Remote DS1 Alarm
DSX-1	DS1 Cross-connect Frame	RLOS	Remote Loss of Signal
ECI	Equipment Catalog Item	RMA	Return Material Authorization
ENA	Enabled	SAIS	SmartJack AIS
ES	Errored Seconds	SF	Super Frame
ESF	Extended SuperFrame	SMJK	SmartJack
HCDS	High Capacity Digital Service	STS	Span Terminating Shelf
HCS	HiGain Central Office Shelf	TEC	Total Error Count
HDSL	High-bit-rate Digital Subscriber Line	TLOS	Transmit Loss of Signal
HDU	HiGain Doubler Unit	UAS	Unavailable Seconds
HLU	HiGain Line Unit	XMT	Transmit
HMS	HiGain Management Shelf		

CERTIFICATION AND WARRANTY

FCC COMPLIANCE

This unit complies with the limits for Class A digital devices pursuant to Part 15 of the FCC rules. These limits are designed to provide reasonable protection against harmful interference when the equipment is operated in a commercial environment. This equipment generates, uses, and can radiate radio frequency energy and, if not installed and used in accordance with the instruction manual, can cause harmful interference to radio communications. Operation of this equipment in a residential area is likely to cause harmful interference, in which case the user will be required to correct the interference at his own expense.

Refer to the installation section of this manual for guidance on:

Cabling

Correct connections

Grounding

LIMITED WARRANTY

PairGain Technologies warrants this product to be free of defects and to be fully functional for a period of 120 months from the date of original shipment, given correct customer installation and regular maintenance. PairGain will repair or replace at PairGain's option any unit without cost during this period if the unit is found to be defective for any reason other than abuse or incorrect use or installation.

Do not try to repair the unit. If it fails, replace it with another unit and return the faulty unit to PairGain for repair. Any modifications of the unit by anyone other than an authorized PairGain representative voids the warranty.

If a unit needs repair, call PairGain for a Return Material Authorization (RMA) number and return the defective unit, freight prepaid, along with a brief description of the problem, to:

PairGain Technologies, Inc.
14352 Franklin Avenue
Tustin, CA 92780
ATTN: Repair and Return Dept.
800.638.0031

Refer to the instructions under "*Returns*" on page 58 for complete return instructions.

PairGain continues to repair faulty modules beyond the warranty program at a nominal charge. Contact your PairGain sales representative for details and pricing.

MODIFICATIONS

Any changes or modifications made to this device that are not expressly approved by PairGain Technologies, Inc., may void the user's warranty.

All wiring external to the products should follow the provisions of the current edition of the National Electrical Code.

STANDARDS COMPLIANCE

The HLU-319 List 5D has been tested and verified to comply with the applicable sections of the following standards.

- GR 63-CORE - Network Equipment-Building System (NEBS) Requirements: Physical Protection
- GR 1089-CORE - Electromagnetic Compatibility and Electrical Safety
- Bi-national standard, UL-1950/CSA-C22.2 No. 950-95: Safety of Information Technology Equipment

For technical assistance, refer to "*Appendix D - Product Support*" on page 58.

Corporate Office

14402 Franklin Avenue

Tustin, CA 92780

Tel: 714.832.9922

Fax: 714.832.9924

For Technical Assistance:

800.638.0031



PAIRGAIN