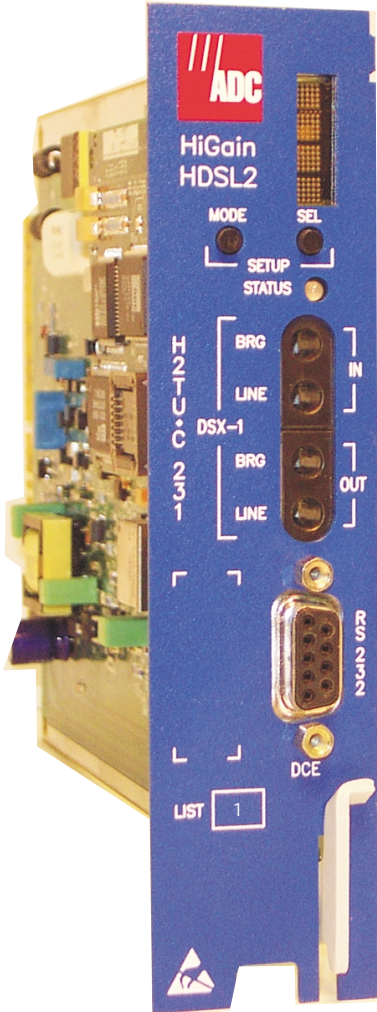


HiGain



HiGain HDSL2 Line Unit

H2TU-C-231 List 1
Part Number: 150-2404-01
CLEI Code: VACHKV0C



Revision History of This Practice

Revision	Release Date	Revisions Made
01	May 30, 2000	Initial release.
02	January 09, 2002	ADC Rebranding

Copyright

May 30, 2000

© 2000 ADC DSL Systems, Inc. All rights reserved.

Trademark Information

ADC is a registered trademark of ADC Telecommunications, Inc. HiGain is a registered trademark of ADC DSL Systems, Inc. No right, license, or interest to such trademarks is granted hereunder, and you agree that no such right, license, or interest shall be asserted by you with respect to such trademark. Other product names mentioned in this practice are used for identification purposes only and may be trademarks or registered trademarks of their respective companies.

Disclaimer of Liability

Information contained in this document is company private to ADC DSL Systems, Inc., and shall not be modified, used, copied, reproduced or disclosed in whole or in part without the written consent of ADC.

Contents herein are current as of the date of publication. ADC reserves the right to change the contents without prior notice. In no event shall ADC be liable for any damages resulting from loss of data, loss of use, or loss of profits, and ADC further disclaims any and all liability for indirect, incidental, special, consequential or other similar damages. This disclaimer of liability applies to all products, publications and services during and after the warranty period.

USING THIS TECHNICAL PRACTICE

The following conventions are used in this manual:

- Monospace type indicates screen text.
- Keys you press are indicated by small icons such as **Y** or **ENTER**. Key combinations to be pressed simultaneously are indicated with a plus sign as follows: **CTRL** + **ESC**.
- Items you select are in **bold**.
- Three types of messages, identified by icons, appear in text.



Notes contain information about special circumstances.



Cautions indicate the possibility of equipment damage or personal injury.



The Electrostatic Discharge (ESD) susceptibility symbol indicates that a device or assembly is susceptible to damage from electrostatic discharge.

For a list of abbreviations used in this document, refer to [“Appendix E - Abbreviations”](#) on page 61.

DOCUMENTATION

If you have comments on this ADC document, send an email to technical_publications@ADC.com. Type the product name and the section number of the document in the subject area of the email message.

INSPECTING SHIPMENT

Upon receipt of the equipment:

- Unpack each container and inspect the contents for signs of damage. If the equipment has been damaged in transit, immediately report the extent of damage to the transportation company and to ADC. Order replacement equipment, if necessary.
- Check the packing list to ensure complete and accurate shipment of each listed item. If the shipment is short or irregular, contact ADC as described in the Warranty located inside the back cover. If you must store the equipment for a prolonged period, store the equipment in its original container.

TABLE OF CONTENTS

Overview	1
Features	1
Compatibility	2
Applications	2
HiGain HDSL2 Regenerators	3
Front Panel	4
Installation	9
Verification	10
Verification without a Downstream Device	10
Verification with a Downstream Device	10
Provisioning	11
Using the MODE and SEL Buttons	11
Setting Options through MODE and SEL	11
Resetting to Factory Default Values	12
Displaying System Parameter Settings	12
Disabling an Alarm	12
Loopback Modes	12
Using a Maintenance Terminal	13
Connecting to a Maintenance Terminal	13
The Logon Screen	13
Provisioning Tasks	15
Setting Date and Time	15
Setting Circuit ID Numbers	16
Configuring the System	17
Clearing the History, Alarm, and Event Log Screens	24
Monitoring System Activity and Performance	25
System Overview	25
Using the Monitor Screen to View System Activity	26
Using the Performance Screens to View Performance Data	28
Performance History at the DS1 Interface	28
Performance History at the HDSL2 Interface	32
Using the Performance Screens to View Alarm Data	34
Alarm History at the DS1 Interface	35
Alarm History at the HDSL2 Interface	37
Using the Event Log to Track System Events	38
Testing	40

Front-Panel System Alarms.....	40
Alarm Option for Digital Loop Carrier (DLC) Feed	41
Retiring System Alarms	41
Remote LOS and AIS Response	42
OCT55 Test Pattern with AMI Line Code	42
Loopback Operation	43
Generic Loopback Commands	43
Special Loopback Commands.....	45
Manual Loopback Session	46
Loopback Test Procedures	47
General Troubleshooting Tips	47
GNLB Test Procedures	47
A1LB, A2LB, and A5LB Test Procedures	49
A3LB and A4LB Test Procedures	51
Appendix A - Specifications	52
Power Consumption	53
Maximum Power Dissipation	53
Maximum Current Drain	53
Loop Attenuation.....	54
H2TU-C-231 List 1 Card-Edge Connector	54
Network Management Control Bus	55
Fuse Alarm.....	55
System Alarm Output Pins.....	55
Craft Port	55
Appendix B - Functional Operation	57
Timing	57
Ground Fault Detect	57
Appendix C - Compatibility	58
Appendix D - Product Support	59
Appendix E - Abbreviations	61
Certification and Warranty	63

LIST OF FIGURES

1. HDSL2 System Model	3
2. H2TU-C-231 List 1 Front Panel.....	4
3. Installing the H2TU-C-231 List 1 into a Shelf.....	9
4. Logon Screen.....	14
5. Configuration Menu - Date and Time	15
6. Inventory Menu	16
7. Configuration Menu	17
8. Configuration Menu - Standard Options (Defaults Shown).....	18
9. Configuration Menu - PairGain Options (Defaults Shown).....	18
10. Configuration Menu - Reset to Factory Defaults	23
11. Master Clear	24
12. System Spans.....	25
13. Monitor Screen - Active Loopback with Alarms	26
14. H2TU-R DS1 31-Day Performance History	28
15. H2TU-R DS1 48-Hour Performance History	29
16. H2TU-C DS1 25-Hour Performance History	29
17. H2TU-R DS1 Current Statistics	30
18. H2TU-C DS1 Current Statistics	30
19. H2TU-C HDSL2 31-Day Performance History	32
20. H2TU-C HDSL2 48-Hour Performance History	32
21. H2TU-C HDSL2 25-Hour Performance History	33
22. H2TU-C HDSL2 Current Statistics.....	33
23. H2TU-C DS1 Alarm History Screen.....	35
24. H2TU-R DS1 Alarm History Screen.....	35
25. H2TU-C HDSL2 Alarm History Screen	37
26. System Event Log.....	38
27. H2TU-R LOS and AIS Response Priorities	42
28. Loopback Summary.....	43
29. Loopback Modes	48
30. H2TU-C-231 List 1 Card-Edge Connector	54
31. RS-232 Craft Port Pinouts	56
32. H2TU-C-231 List 1 Block Diagram.....	57

LIST OF TABLES

1. Front-Panel Description	5
2. Front-Panel Display Messages.....	6
3. Navigational Keys for the HiGain HDSL2 Maintenance Terminal Screens	13
4. Logon Screen Menus	14
5. H2TU-C-231 List 1 Standard Config Screen Options.....	19
6. H2TU-C-231 List 1 PairGain Config Screen Options.....	20
7. DS1/DSX-1 24-Hour PM Threshold	22
8. Monitor Screen Descriptions	27
9. Acronyms Used on the DS1 Performance History Screens.....	31
10. Acronyms Used on the HDSL2 Performance History Screens	34
11. DS1 Alarm Descriptions	36
12. HDSL2 Alarm Descriptions.....	37
13. Event Log Entry Messages List.....	39
14. Front-Panel System Alarms Summary	40
15. Summary of HiGain HDSL2 Loopback Codes and Activation Methods.....	44
16. Addressable Repeater Loopback Commands (A1LB, A2LB, A5LB).....	49
17. Addressable Repeater Loopback Commands (A3LB and A4LB).....	51
18. H2TU-C Power Parameters—No Regenerator	53
19. HDSL2 Cable Attenuation Chart.....	54

OVERVIEW

The HiGain HDSL2™ product family from ADC® is the industry's first practical implementation of High-bit-rate Digital Subscriber Line 2 (HDSL2). ADC products are fully compliant with the HDSL2 standard. Providing full-rate T1 access using just a single copper pair, HDSL2 is a cost-effective solution that offers an open architecture. The open architecture inherent in HDSL2 guarantees interoperability, allowing simple, economic accommodation of network growth. HiGain HDSL2 uses the industry's first HDSL2 chipset (ANSI T1/E1.4 compliant) developed by ADC.

HiGain HDSL2 products provide 1.552 Mbps transmission on one unconditioned copper pair over the full Carrier Service Area (CSA) range. The CSA includes loops up to 12,000 feet of 24 American Wire Gauge (AWG) wire or 9,000 feet of 26 AWG wire, including bridged taps.

FEATURES

The H2TU-C-231 List 1 line unit is the Central Office (CO) side of a T1 transmission system.

- HDSL2 transmission features
 - Three-span range with two regenerators (36 kft, 24 AWG)
 - Lightning and power cross-protection on HDSL2 interfaces
 - Full duplex HDSL2 transmission on one pair at 1.552 Mbps
 - Ultra-low wander (Stratum 1 compliant)
 - Grounded loop detection on High-bit-rate Digital Subscriber Line 2 (HDSL2)
- Front-panel provisioning features
 - Four-character status display
 - DS1 splitting and bridging access
 - Status Light Emitting Diodes (LEDs)
 - RS-232 craft port for connection to a maintenance terminal
- HiGain HDSL2 maintenance screens for inventory, provisioning, and troubleshooting
 - DS1 and HDSL2 performance monitoring
 - Non-volatile alarm histories
- Configuration options
 - Selectable DS1 pre-equalizer
 - Bipolar Violation Transparency (BPVT)
 - Bit Error Rate (BER) alarm
 - Loss of Signal/Alarm Indication Signal (LOS/AIS) payload alarm
 - Remote provisioning
 - Selectable loopback activation codes
- Compatible with Small Cross-Section Shelf (SXSS) and equipment

- Payload (PL) and HiGain (HG) loopback source identification
- Network Management and Administration (NMA) interface
- Margin Alarm (MAL) threshold



DS1 is used throughout this document to refer to either the remote unit's DS1 interface or the line unit's DSX-1 interface.

COMPATIBILITY

The H2TU-C-231 is designed to mount in 220 mechanics shelves. For a list of compatible shelves see [“Appendix C - Compatibility” on page 58.](#)

APPLICATIONS

HiGain HDSL2 systems provide a cost-effective, easy-to-deploy method for delivering DS1 High Capacity Digital Service (HCDS) over a single copper pair. HiGain HDSL2 systems support a multitude of network connections and system models (see [Figure 1 on page 3](#)).

- The service is deployed over one unconditioned, non-loaded copper pair.
- Conventional, inline DS1 repeaters are no longer required.
- Cable pair conditioning, pair separation, and bridged tap removal are not required.

Each loop has no more than 35 dB of loss at 196 kHz, with driving and terminating impedances of 135 Ω . In general, HiGain HDSL2 systems:

- Operate effectively in the same cable binder group with other HDSL2 lines, HDSL, DS1, ADSL, SDSL, POTS, Digital Data Service (DDS), and other transmission schemes.
- Can be used with customers requiring DS1 service on a temporary or permanent basis.
- Provide a means of quickly deploying service in advance of fiber optic transmission systems.

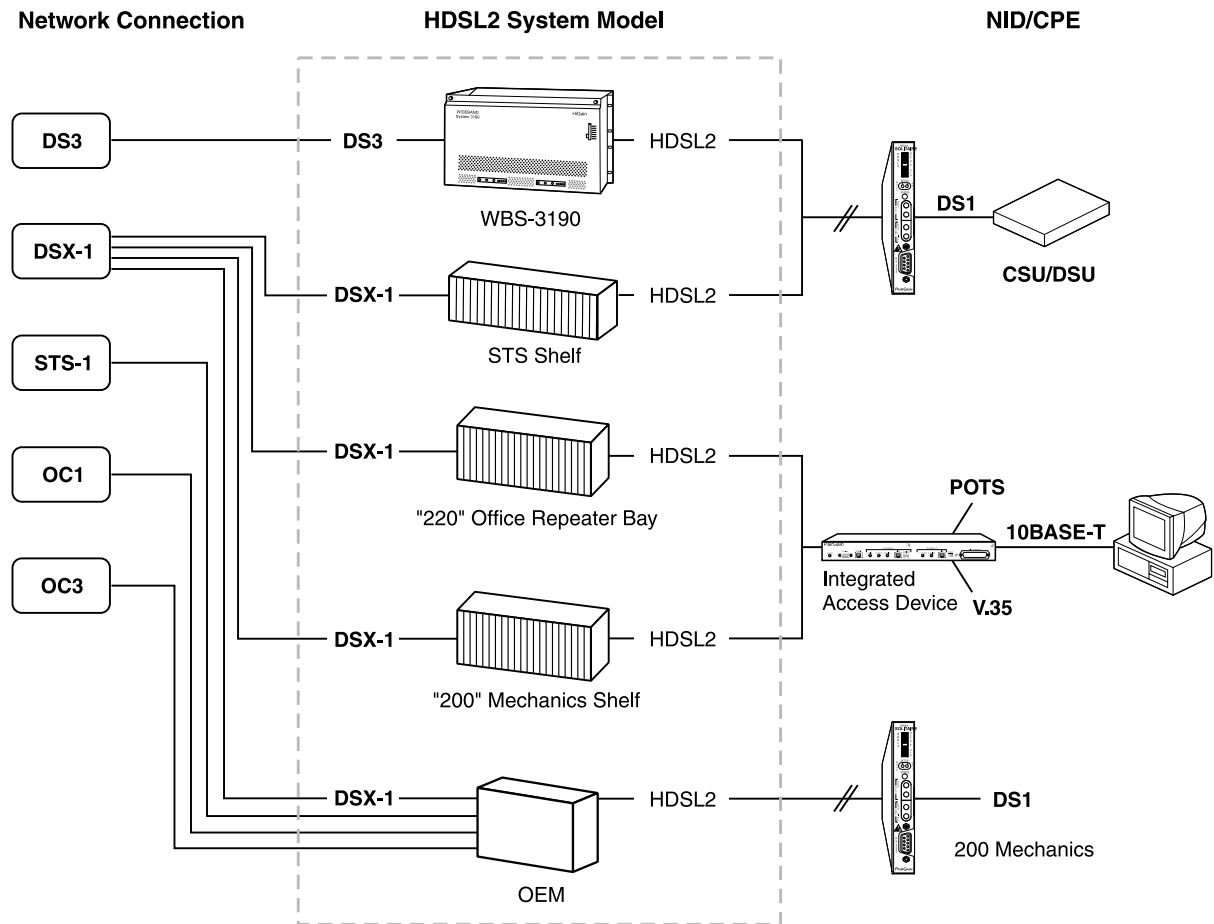


Figure 1. HDSL2 System Model

HIGAIN HDSL2 REGENERATORS

For applications without regenerators (doublers), the H2TU-C-231 is directly connected to an H2TU-R remote unit by one HDSL2 cable pair. The H2TU-C-231 List 1 is compatible with all HiGain HDSL2 H2TU-Rs.

For applications with regenerators, one to two regenerators may be used in the HDSL2 loop between the H2TU-C and H2TU-R.

- The H2TU-C-231 List 1 can power one regenerator (H2RU-407 or H2RU-409) and a remote unit (H2TU-R-402) for a total of two spans.
- If the H2TU-R is locally powered, the H2TU-C can power up to two regenerators for a total of three spans.



Future enhancements of the H2TU-C-231 List 1 will support regenerators.

FRONT PANEL

Figure 2 shows the H2TU-C-231 List 1 front panel. Table 1 on page 5 describes the front-panel components. For a list of front-panel display messages, refer to “Front-Panel Display Messages” on page 6. For pinout diagrams of the H2TU-C card-edge connector and craft port, refer to “Appendix A - Specifications” on page 52.

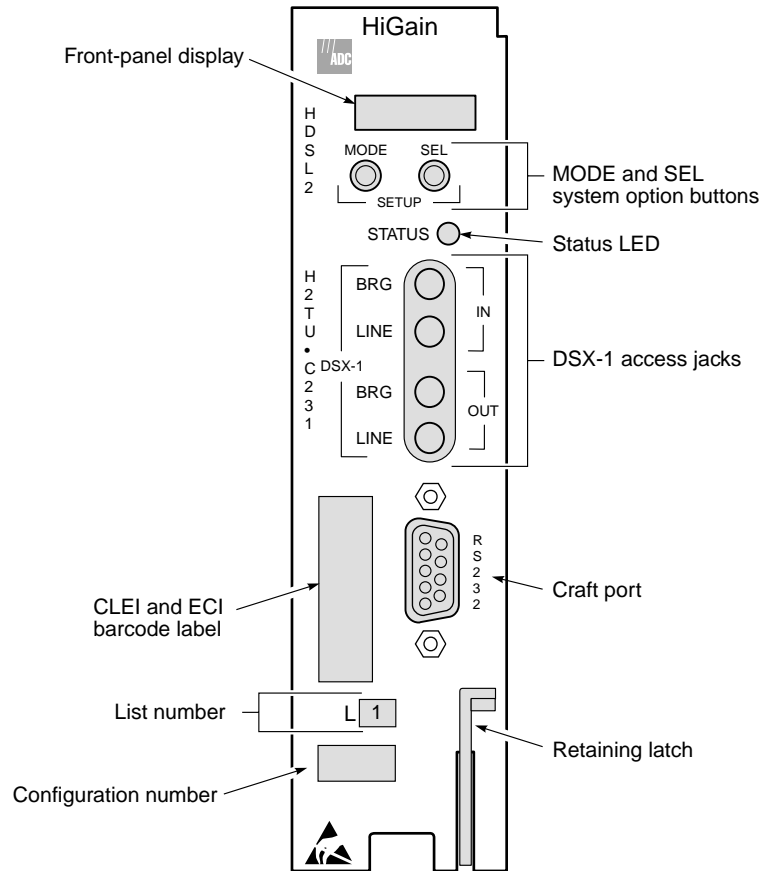


Figure 2. H2TU-C-231 List 1 Front Panel

Table 1. Front-Panel Description

Front-Panel Feature	Function
Front-panel display	Displays four-character status, provisioning, and alarm system messages. The front-panel display illuminates when power is initially applied. To conserve power, the display only remains on for 5 minutes. Using the MODE or SEL buttons reactivates the display and restarts the 5-minute timer. Refer to Table 2 on page 6 for a listing of the four-character messages.
MODE and SEL system option buttons	Permits the user options to be monitored and modified without the need of a maintenance terminal. Used to initiate all HiGain HDSL2 loopbacks and to display DSX-1 line parameters and line unit identity.
Status LED	The status LED can report the following conditions:
Off	Line power is off.
Green	Normal operation.
Red	Fuse alarm.
Flashing red	HDSL2 acquisition or system alarm.
Yellow	An H2TU-C-231 Customer Remote Loopback (CREM) or a Network Local Loopback (NLOC) is in effect.
Flashing yellow	H2TU-C-231 is in an Armed (ARM) state.
DSX-1 access jacks	
BRG	Provides non-intrusive bridging jack access to (IN) and from (OUT) the HDSL2 span at the DSX-1 interface. Allows the two DS1 payloads to be monitored.
LINE	Provides splitting jack access to (IN) and from (OUT) the HDSL2 span at the DSX-1 interface. Breaks the IN and OUT paths to permit test signal insertion and retrieval.
Craft port (RS-232)	Provides bidirectional communication between the unit and an external terminal to allow configuration and performance monitoring through the maintenance terminal screens.
CLEI and ECI bar code label	Provides the human-readable Common Language Equipment Identifier (CLEI) code number and the Equipment Catalog Item (ECI) bar code number.
List number	Identifies the list number of the H2TU-C-231.
Retaining latch	Retains the card in the shelf when pulled up and extracts the card from the shelf when pulled down.
Configuration number	<p>For some products the configuration number may contain either a five- or six-digit warranty configuration number or a standalone two- or three-digit configuration number as follows:</p> <ul style="list-style-type: none"> Digit 1 - Last digit of shipment year Digits 2 and 3 - Shipment month Digits 4, 5, and 6 - Configuration number <p>The configuration number identifies the version of the product. New configuration numbers usually accompany changes in the last two characters of the CLEI code.</p> <p>The configuration number is found on a small label attached to the front panel. It is the last two numbers (following the x) of a 13-character part number. For example: 150-1234-01-x01.</p>

Table 2 lists the front-panel display messages. The four-character display reports the code of a pertinent alarm, loopback, or diagnostic message and, in some cases, is followed by a second four-character message that modifies the first message with a value or current configuration setting.

Table 2. *Front-Panel Display Messages*

Message	Full Name	Description
SYSTEM ALARM MESSAGES		
ACO	Alarm CutOff	A system alarm has occurred and has been retired to an ACO condition by pressing the SEL button on the H2TU-C front panel.
ALRM	Alarm Condition Exists	A system alarm condition is in effect.
DBER	DS1 Bit Error Rate	A system DS1 BER alarm is in effect and remains in effect until cleared.
HBER	HDSL2 Block Error Rate	A system HDSL2 Block Error Rate alarm is in effect.
LA	Loop Attenuation	Indicates that the attenuation on the HDSL2 loop has exceeded the maximum threshold value.
LAIS	Local Alarm Indication Signal	Indicates an Alarm Indication Signal (AIS), an all ones pattern, is being transmitted from the local DS1 output port.
LLOS	Local Loss of Signal	Indicates that no signal is detected at the DSX-1 input to the H2TU-C. Causes a system alarm.
LOSW	Loss of Sync Word	Indicates that the HDSL2 loop has lost synchronization.
LRAI	Line RAI	Indicates an RAI alarm (yellow LED) from the CPE with an error-free signal from the line unit or network.
MAL	Margin Alarm	The margin on HDSL2 loop has dropped below the threshold (0 to 15 dB) as set by the operator.
PWR FEED GND	Ground	The HDSL2 loop is grounded.
PWR FEED OPEN	Open	Indicates a line power open condition.
PWR FEED SHRT	Short	Indicates a short between the Tip and Ring of the HDSL2 pair.
PRMF	Performance Report Messaging - Far End	H2TU-R PRM-FE BER threshold has been exceeded.
PRMN	Performance Report Messaging - Near End	H2TU-R PRM-NE BER threshold has been exceeded.
RAIS	Remote Alarm Indication Signal	Indicates an AIS an (all ones) pattern is being received at the H2TU-R DS1 input port.
RLOS	Remote Loss of Signal	Indicates that no signal is detected at the DS1 input to the H2TU-R. Causes a system alarm.
RRAI	Remote RAI	Indicates an RAI alarm (yellow LED) from the CPE with errors from the line unit or network.
SPN n	Span Number	Accompanies the LOSW alarm and identifies the span where the LOSW alarm occurred.
TUC	Transmission Unit Central Office	Accompanies the HBER, MAL, and LA alarm and indicates that the alarm has occurred at the H2TU-C central office unit.
TUR	Transmission Unit Remote End	Accompanies the HBER, MAL, and LA alarm and indicates that the alarm has occurred at the H2TU-R remote unit.
LOOPBACK MESSAGES		
CRG n	Customer Regenerator n Loopback	Signal from customer is looped back to the customer at H2RU n , where n is the number of the regenerator.
CLOC	Customer Local Loopback	Signal from customer is looped back to the customer at the H2TU-R.
COLB	Central Office Loopback	Dual loopback at the H2TU-C.
CREM	Customer Remote Loopback	Signal from customer is looped back to the customer at H2TU-C-231.

Table 2. Front-Panel Display Messages (Cont.)

Message	Full Name	Description
DxLB	Doubler(x) Loopback	Dual loopback at the regenerator.
NRGn	Network Regenerator <i>n</i> Loopback	DSX-1 signal is looped back to the network at H2RU <i>n</i> , where <i>n</i> is the number of the regenerator.
NLOC	Network Local Loopback	DSX-1 signal is looped back to the network at the H2TU-C.
NREM	Network Remote Loopback	DSX-1 signal is looped back to the network at the H2TU-R.
RULB	Remote Unit Loopback	Dual loopback at the H2TU-R.
SMJK	Remote SmartJack Loopback	DSX-1 signal is looped back to the network at the H2TU-R SmartJack module.

DIAGNOSTIC MESSAGES

A = xx	Maximum Loop Attenuation	The Attenuation (A) message appears followed by xx, where xx is the loop attenuation of the longest (maximum loss) span measured in dB.
ACQ	Acquisition	The multiplexers of the H2TU-C and H2TU-R (or the H2TU-C and first regenerator) are trying to establish synchronization over the HDSL2 loop of Span 1.
AnL	Acquisition <i>n</i> Loop	The multiplexers of the two devices on Span <i>n</i> are trying to establish synchronization with each other, where <i>n</i> is the number of the span.
ARM	HiGain HDSL2 System Armed	Armed to respond to Intelligent Repeater Loop (ILR) codes.
BAD RT?	No Response from H2TU-R	The H2TU-C does not receive any response from the H2TU-R and all HDSL2 loop conditions are normal. Therefore, the integrity of the H2TU-R or the HDSL2 loop is questionable.
FERR	Framing Bit Error Occurred	Framing bit error occurred at H2TU-C DSX-1 input.
FLDL	Flash Download	Flash download of firmware updates. Contact Customer Service for update procedures (see "Appendix D - Product Support" on page 59).
HES	HDSL2 CRC Error	H2TU-C HDSL2 Loop Cyclical Redundancy Check (CRC) error.
LBPV	Local Bipolar Violation	A bipolar violation has been received at the DSX-1 input to the H2TU-C-231.
M=xx	HDSL2 Loop Margin	Indicates the power of the received HDSL2 signal relative to noise (S/N with respect to 21.5 dB). Any value of 6 dB or greater is adequate for reliable system operation.
MNGD	Managed	The H2TU-C-231 is under control of the H2TU-319 network management unit. In this state, the front-panel craft port and push buttons are disabled.
PWR FEED OFF	Power Feed Off	HDSL2 span power has been turned off by setting the PWRF option to off, or HDSL2 span power has been turned off by use of the A1LB, A2LB, and A5LB Intelligent Office Repeater (IOR) Power Down code.
PWR FEED ON	Power Feed On	Indicates that the HDSL2 loop is not grounded or shorted.
SIG	Signaling	The transceivers of the H2TU-C and H2TU-R (or the H2TU-C and first regenerator) are trying to establish contact with each other over the HDSL2 loop of Span 1.
SnL	Synchronization <i>n</i> Loop	The transceivers of the two devices on Span <i>n</i> are trying to establish contact with each other, where <i>n</i> is the number of the span.

SYSTEM INFORMATION MESSAGES ^(a)

CODE xxxx	Line Code: AMI or B8ZS	The line code that H2TU-C-231 is receiving at its DSX-1 interface, if the DS1 option is set to AUTO. Otherwise, it mimics either of the other two DS1 line code settings, Alternate Mark Inversion (AMI) or Bipolar with 8-Zero Substitution (B8ZS).
FRM xxxx	Frame: SF, ESF, UNFR	Defines the type of frame pattern being received from the DSX-1: SuperFrame (SF), Extended SuperFrame (ESF), or Unframed (UNFR).
LATT xx	Loop Attenuation	The current loop attenuation threshold setting is measured in dB.

Table 2. *Front-Panel Display Messages (Cont.)*

Message	Full Name	Description
LIST <i>xx</i>	H2TU-C-231 List Number	The list number of the H2TU-C-231.
MARG <i>xx</i>	Margin	The current margin threshold setting is measured in dB.
VER <i>x.xx</i>	H2TU-C-231 Software Version Number	The software version number <i>x.xx</i> .

(a) System information messages are displayed in scroll mode. To scroll through the messages, press the MODE button for 3 or more seconds.

INSTALLATION



Upon receipt of the equipment, inspect the contents for signs of damage. If the equipment has been damaged in transit, immediately report the extent of damage to the transportation company and to ADC Technologies.

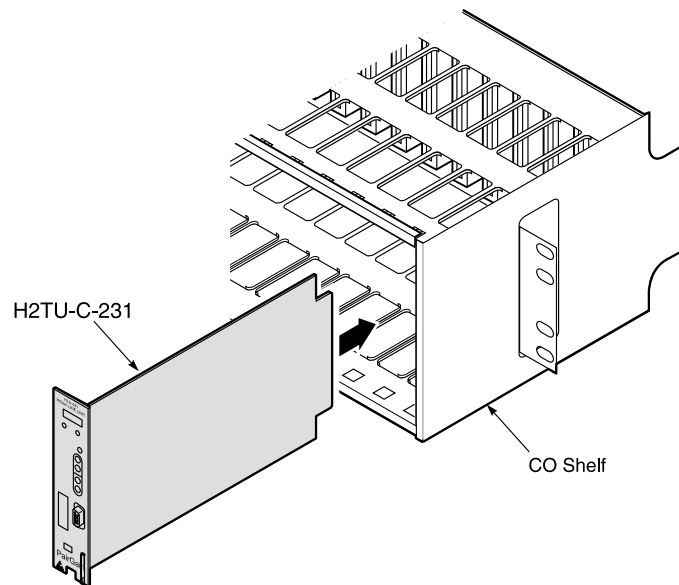


Figure 3. Installing the H2TU-C-231 List 1 into a Shelf



When installing an H2TU-C 231 in a chassis, be sure to wear an antistatic wrist strap. Avoid touching components on the circuit board.



To comply with the intrabuilding wiring requirements of GR-1089 CORE, Section 4.5.9, the shields of the ABAM-type cables that connect the H2TU-C-231 List 1 DSX-1 output ports to the cross-connect panel must be grounded at both ends.

- 1 Align the H2TU-C with the enclosure slot guides and slide the unit in. Push the unit back until it touches the backplane card-edge connector and the retaining latch on the front panel opens.
- 2 Place your thumbs on the front panel and push the H2TU-C into the slot guides until the retaining latch closes. This indicates that the card is properly seated.

VERIFICATION

Once the H2TU-C-231 is installed, verify that it is operating properly. To do this, monitor the following:

- Status LED
- Status messages reported by the front-panel display ([Table 2 on page 6](#))

Verification without a Downstream Device

If there is no downstream device installed:

- 1 Verify that the H2TU-C powers up. The front-panel display illuminates and reports status messages. (See [Table 2 on page 6](#) for a list of messages.)
- 2 Verify that the H2TU-C attempts to communicate with downstream devices (status LED flashes red). Even if a downstream device is not present, the following events should occur:
 - a The front-panel display reports various four-character status messages.
 - b The H2TU-C again attempts communication until a downstream device is detected.

Verification with a Downstream Device

If a downstream device has been installed:

- 1 Verify that the H2TU-C powers up. (The front-panel display illuminates and reports various status messages.)
- 2 Verify that the H2TU-C attempts to communicate with downstream devices (status LED flashes red). One of the following occurs:
 - If downstream devices are successfully identified and the HDSL2 loop synchronizes, the H2TU-C status LED lights steady green. The H2TU-C reports normal margin and loop attenuation messages on the front-panel display.
 - If downstream devices are not successfully identified, the H2TU-C reports four-character status messages. The H2TU-C attempts communication again and reports four-character status messages. The H2TU-C repeats this cycle until a downstream device is detected.
- 3 If there is more than one span, verify that each subsequent span synchronizes normally by monitoring the front-panel display messages.
- 4 If a remote unit is installed, verify that the last span synchronizes normally. The H2TU-C status LED should light a steady green and the front-panel display should report normal margin messages.
- 5 Verify that a valid DS1 signal has been applied to the H2TU-C and the H2TU-R.
 - If no DS1 signal is being applied to either the H2TU-C or the H2TU-R inputs, then the appropriate DS1 alarms (LLOS or RLOS) display on the front panel and the status LED flashes red.
 - If a valid DS1 signal is being supplied to the H2TU-C and H2TU-R, then DS1 alarm indications should be absent and the status LED should be steady green.

PROVISIONING

There are two methods for provisioning:

- Use the MODE and SEL buttons on the front panel of the H2TU-C to:
 - Set system options
 - Reset the H2TU-C to its factory default settings for system options
 - Display system option settings (scroll mode)
 - Select system loopbacks
- Use a maintenance terminal (VT100 terminal or a PC running terminal emulation software) connected to the H2TU-C craft port (or to an HMU craft port) to access the HiGain HDSL2 maintenance screens ([Figure 4 on page 14](#)). This gives you full access to all H2TU-C status, history, inventory, and provisioning screens.



No dip switches or jumpers are required to provision the H2TU-C-231 as it contains a non-volatile RAM (NVRAM) which stores the system option settings. System option settings are retained if shelf power is lost or if the H2TU-C-231 is unplugged.

USING THE MODE AND SEL BUTTONS

Setting Options through MODE and SEL

To provision the H2TU-C-231 List 1 through the MODE and SEL buttons on the front panel:

- 1 Press the MODE button for 1 second and release it. The front-panel display alternately shows the first system parameter and its current setting.
- 2 Press the SEL button to step through all possible settings of the selected parameter.
- 3 After the desired setting has been selected, press the MODE button. This updates the currently displayed parameter to the selected setting, then advances to the next configurable parameter. After the last parameter has been selected, a CONF NO message appears on the front-panel display.
- 4 Do one of the following:
 - To cancel the session without saving the requested parameter changes, press the MODE button or do nothing. (After 30 seconds, the display returns to its normal mode without saving the new changes.)
 - To accept the requested parameter changes, press the SEL button. (A CONF YES message displays and returns to its normal mode after saving the new changes.)

Resetting to Factory Default Values

All user options for the H2TU-C-231 List 1 ([Table 6 on page 20](#)) can be set to the factory default values using the MODE and SEL buttons. To set the user options to their default values:

- 1 Press the SEL button for 6 seconds until the following message appears:

DFLT NO

- 2 Press the SEL button while the DFLT NO message is displayed.

The message changes to DFLT YES indicating the factory default values are now in effect and the display returns to the normal mode.

To terminate the DFLT mode without setting the factory default values, do one of the following:

- Press the MODE button to return to the normal display mode.
- Wait 30 seconds for the unit to return to the normal display mode.

Displaying System Parameter Settings

To scroll through the current settings of all system parameters, press the MODE button for 3 or more seconds. The H2TU-C-231 List 1 displays the following parameters:

- Software version number
- List number
- Type of frame pattern received from the DSX-1
- Line code of the signal received from the DSX-1
- All user-configured parameter settings
- Loop attenuation threshold setting
- Margin alarm threshold setting

Disabling an Alarm

If the system is in a Minor alarm state, the alarm relay can be disengaged by pressing the SEL button. This activates the Alarm CutOff (ACO) indication. For more information about alarms, see [“Front-Panel System Alarms” on page 40](#).

Loopback Modes

See [“Loopback Operation” on page 43](#) for instructions on using the MODE and SEL buttons to activate loopbacks.

USING A MAINTENANCE TERMINAL

Connecting to a Maintenance Terminal

The craft port on the front panel allows you to connect the H2TU-C-231 to a maintenance terminal (ASCII terminal or PC running a terminal emulation program). Once connected to a maintenance terminal, you can access the maintenance, provisioning, and performance screens.

To connect to a maintenance terminal:

- 1 Connect a standard 9-pin terminal cable to the RS-232 craft port (Figure 2 on page 4) on the H2TU-C-231 front panel.
- 2 Connect the other end of the cable to the serial port on the maintenance terminal.
- 3 Start a terminal emulation program such as ProComm (emulating a VT100 terminal).
- 4 Configure the maintenance terminal to the following communication settings:
 - 9600 baud
 - No parity
 - 8 data bits
 - 1 stop bit
 - Hardware flow control to OFF
- 5 If necessary, press **CTRL** + **R** to refresh the HiGain HDSL2 logon screen.

The Logon Screen

The HiGain HDSL2 maintenance terminal screens allow you to monitor, provision, and troubleshoot an H2TU-C-231 system.

To select a menu from the HiGain HDSL2 logon screen (Figure 4 on page 14), do one of the following:

- Press the first letter of the menu.
- Use the **←** **→** arrow keys to select the menu and then press **ENTER**.

Table 3 summarizes the navigational keys. They are also listed in the onscreen Help menu. Table 4 on page 14 describes the Logon screen menus.

Table 3. *Navigational Keys for the HiGain HDSL2 Maintenance Terminal Screens*

Key ^(a)	Function
SPACEBAR	Cycle through selections.
ENTER	Activate the current setting or choice, or display a menu.
ESC or F11 (VT100 only)	Return to the parent menu.
↑ or CTRL + E	Select the submenu or item above the current one, or return to the previous menu.
↓ or CTRL + X	Select the submenu or item below the current one.
→ or CTRL + D	Select the menu or item to the right of the current one.
← or CTRL + S	Select the menu or item to the left of the current one, or return to the previous menu.
CTRL + R	Refresh the screen.

(a) Legacy management units require use of control keys instead of arrow keys.



Most VT100 emulation programs support a print screen option. For Windows-based programs, such as ProComm or Hyperterminal, do the following:

- 1 Highlight the screen that you wish to print.
- 2 Click File, then Print.
- 3 In the Print dialog box, choose Selection as the Print Range.
- 4 Click OK to print.

For printing procedures for other programs, contact the appropriate vendor.

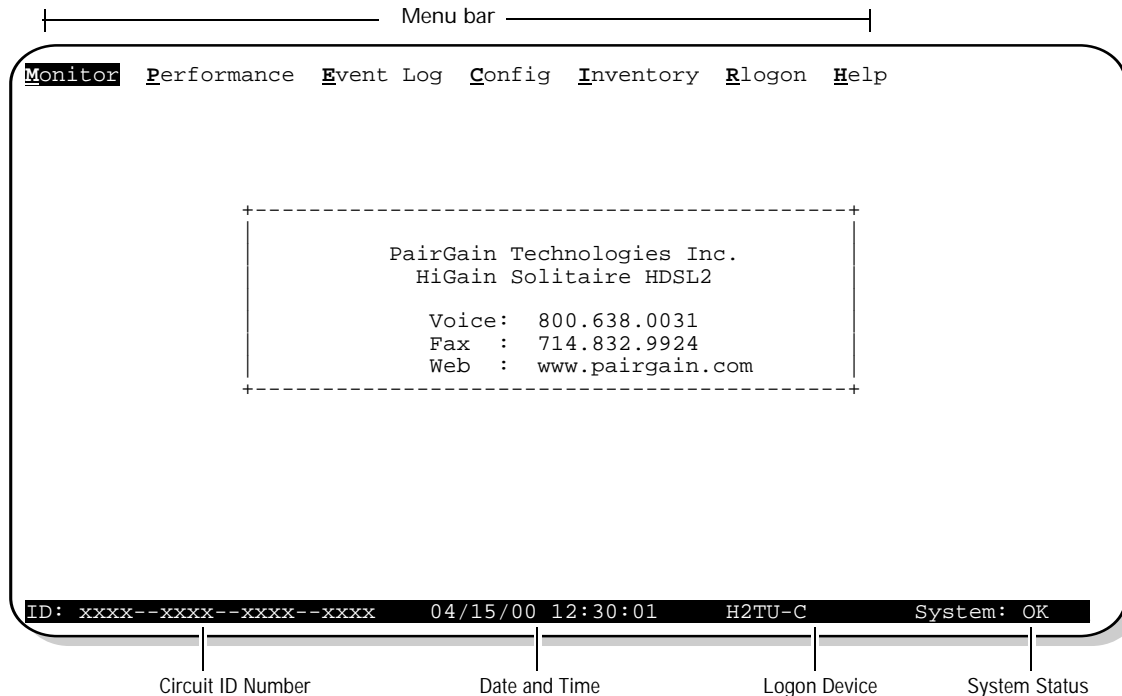


Figure 4. Logon Screen

Table 4. Logon Screen Menus

Press this key:	To access this menu:	Menu Functions
M	Monitor	Monitors loopbacks and alarms, and provides a graphical representation of circuit activity, including ES, UAS, SES, and line code.
P	Performance	Provides performance and alarm histories for current, 25-hour, 48-hour, or 31-day periods for either the DS1 or HDSL2 interface.
E	Event Log	Identifies the 100 most recent system events and reports the date and time of occurrence.
C	Config	Provides standard configuration options, PairGain options, date and time setting, and a reset option (factory settings).
I	Inventory	Provides product information about the various devices that are in the system and lists circuit and device identifications.
R	Rlogon / Rlogout	Remote logon can be performed from the H2TU-C or H2TU-R. The screen displays "Rlogout" when the H2TU-C or H2TU-R is remotely logged on to the other unit at the end of the circuit. To log off the remote unit, press R . "Rlogout" changes to "Rlogon". The unit is now locally logged on until R is pressed again to reinitiate the remote logon.
H	Help	Provides a glossary of terms used in the HiGain HDSL2 maintenance screens, a list of navigational keys, and ADC contact information.

PROVISIONING TASKS

After H2TU-C-231 is successfully installed, perform these basic provisioning tasks.

- Set date and time (see “Setting Date and Time” below)
- Set circuit ID numbers (see “Setting Circuit ID Numbers” on page 16)
- Make any necessary configuration changes (see “Configuring the System” on page 17)
- Clear history, alarm, and event log screens to remove miscellaneous data during startup (see “Clearing the History, Alarm, and Event Log Screens” on page 24)

Setting Date and Time

```

Monitor  Performance  Event Log  Config  Inventory  Rlogon  Help
+-----+
| Standard Options -> |
| PairGain Options -> |
| Date and Time -> |
+-----+
| Date (mm/dd/yyyy): 04/15/2000 |
| Time (hh:mm[:ss]): 12:30:01 |
+-----+

ID: xxxx--xxxx--xxxx--xxxx  04/15/00 12:30:01  H2TU-C  System: OK

```

Figure 5. Configuration Menu - Date and Time

- 1 Press **C** to select the Config menu.
- 2 Select **Date and Time**, then press **ENTER**.
- 3 Enter the date in the format indicated, then press **ENTER**.
- 4 Enter the time in the format indicated (entering seconds is optional), then press **ENTER**.

Setting Circuit ID Numbers

The Inventory screen provides product information on all units in the system and allows the setting of the circuit and unit identification numbers.

```

Monitor Performance Event Log Config Inventory Rlogon Help
----- Product Information -----
Unit      : H2TU-C          H2TU-R
Product   : H2TU-C-231     H2TU-R-402
List      : 1              1
Sw Ver.   : 2.10           2.10
Build #   : 02             02
Checksum  : 0x3FAE         0x3FAE
H2 Xcvr   : L1-RA2 1.31    L1-RA2 1.31
Serial #  : 01232456789    0123456789
CLEI     : VACHKV0CAA      VARHJU0CAA
Mfg. Date: 04/15/00        04/15/00

----- Circuit and Unit Identifications -----
Circuit ID : xxxx--xxxx--xxxx--xxxx
H2TU-R ID  : yyyy--yyyy--yyyy--yyyy

Enter new ID and press <Enter> to set.
ID: xxxx--xxxx--xxxx--xxxx 04/15/00 12:30:01 H2TU-C System: OK

```

Figure 6. Inventory Menu

- 1 Press **I** to select the Inventory screen.
- 2 Type the Circuit ID number, then press **ENTER**.
- 3 Type the ID numbers of all other devices listed in the system, pressing **ENTER** after each entry.

Configuring the System

The Config menu (Figure 7) allows you to make the following types of system configuration changes:

- Standard options (Figure 8 on page 18)
- PairGain options (Figure 9 on page 18)
- Date and time (see “Setting Date and Time” on page 15)
- Master clear (see “Clearing the History, Alarm, and Event Log Screens” on page 24)
- Reset to factory default configuration (Figure 10 on page 23)

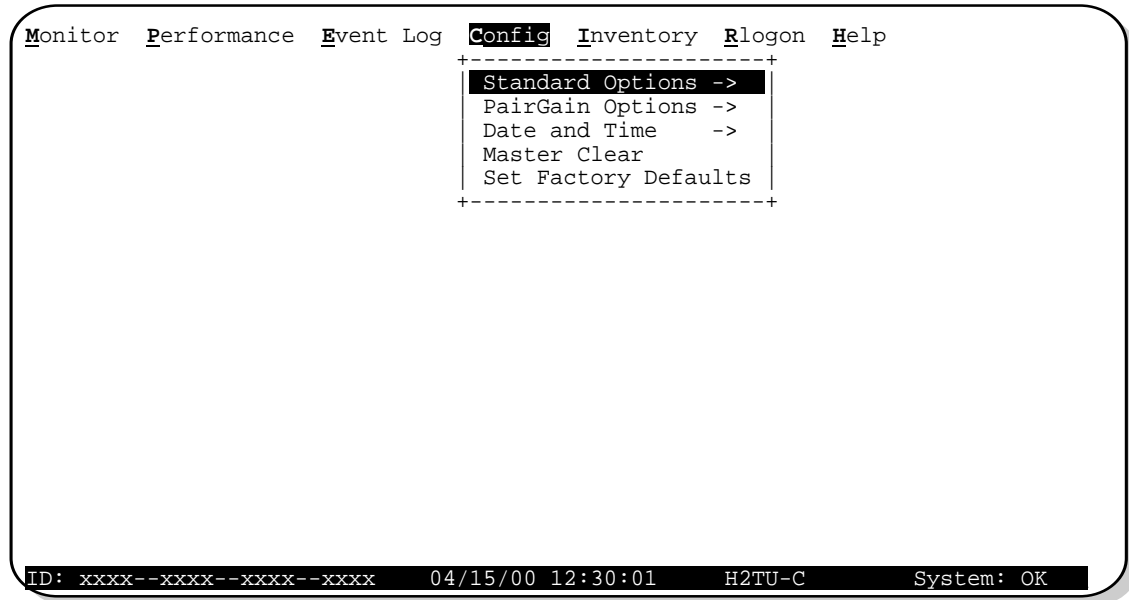


Figure 7. Configuration Menu

Making Changes to Standard and PairGain Options

Figure 8 and Figure 9 on page 18 show the Standard and PairGain configuration options. Standard options are those that are supported by HiGain HDSL2 units when connected to units from other vendors. PairGain options are an extended set of options that are only available when using HiGain HDSL2 units exclusively. For a description of each option and a list of possible option settings, refer to Table 5 on page 19 and Table 6 on page 20. To make changes to these options:

- 1 Press **C** to select the Config menu.
- 2 Use the **↑** and **↓** arrow keys to select **Standard Options** or **PairGain Options**, and press **ENTER**.
- 3 Use the arrow keys to select an option.
- 4 Press the **SPACEBAR** to cycle through the available settings for that option.
- 5 Press **ENTER** to activate your choice.

```

Monitor Performance Event Log Config Inventory Rlogon Help
                                +-----+
                                | Standard Options -> |
                                +-----+
                                |
                                | Loopback Timeout (LBTO)                : 60 min
                                | Loop Attenuation Threshold (LATT) [0-40]: 35 dB
                                | Margin Threshold (MARG)           [0-15]: 4 dB
                                | DS1 Frame Formatting (FRMG)       : AUTO
                                | DS1 Line coding (DS1)            : AUTO
                                | H2TU-C Equalization (EQL)        : EXT
                                | H2TU-R Line Buildout (RLBO)       : 0 dB
                                | Alarm Pattern (ALMP)              : AIS
                                | H2TU-R TLOS Loopback (TLOS)       : DIS
                                | Network Loopback Pattern (NLBP)   : AIS
                                |
                                +-----+

Press <Space> to cycle through settings and <Enter> to activate.
ID: xxxx--xxxx--xxxx--xxxx 04/15/00 12:30:01 H2TU-C System: OK
    
```

Figure 8. Configuration Menu - Standard Options (Defaults Shown)

```

Monitor Performance Event Log Config Inventory Rlogon Help
                                +-----+
                                | Standard Options -> |
                                | PairGain Options -> |
                                +-----+
                                |
                                | Line Power Feed (PWRF)           : ON
                                | Remote Provisioning (RTPV)       : ENA
                                | Bipolar Violation Transparency (BPVT) : DIS
                                | DS1 BER (DBER)                  : DIS
                                | HDSL2 BER Threshold (HBER)       : NONE
                                | Special Loopback Mode (SPLB)     : GNLB
                                | SmartJack Loopback (LPBK)        : ENA
                                | Minor Alarm (ALM)                : DIS
                                | Remote Disconnect Alarm (RDA)     : ENA
                                |
                                +-----+

Press <Space> to cycle through settings and <Enter> to activate.
ID: xxxx--xxxx--xxxx--xxxx 04/15/00 12:30:01 H2TU-C System: OK
    
```

Figure 9. Configuration Menu - PairGain Options (Defaults Shown)

Table 5 describes the Standard Config screen options and lists their front-panel display codes. **Table 6** describes the PairGain Config screen options and lists their front-panel display codes. Selections in bold typeface are the factory default settings.

Table 5. H2TU-C-231 List 1 Standard Config Screen Options

Standard Config Screen Options	Screen Display Code	Selection	Description
Loopback Timeout	LBTO	NONE	Disables automatic time-out cancellation of all loopbacks.
		20	Sets automatic cancellation of all loopbacks to 20 minutes after initiation.
		60	Sets automatic cancellation of all loopbacks to 60 minutes after initiation.
		120	Sets automatic cancellation of all loopbacks to 120 minutes after initiation.
Loop Attenuation Threshold	LATT	0 through 40 dB	Determines the maximum loop attenuation before an alarm is declared. The loop attenuation threshold can only be set through the HDSL2 maintenance screens. Zero disables the alarm.
		35 dB	Default value.
Margin Threshold	MARG	0 to 15 dB	Determines the minimum allowable margin below which a system alarm can occur. The Margin (Alarm) Threshold can only be set through the HiGain HDSL2 maintenance screens. Zero disables the alarm.
		4dB	Default value.
DS1 Frame Formatting	FRMG	AUTO	Configures the HiGain HDSL2 system to operate in an auto-framing (AUTO) mode. It detects and locks to both SF or ESF DS1 frame patterns. Line and path performance parameters are maintained and displayed. Unframed payloads will cause the ES-P and SES-P counters to increment.
		SF	Configures the HiGain HDSL2 system to search for the SF framing pattern at its DS1 input.
		ESF	Configures the HiGain HDSL2 system to search for the ESF framing pattern at its DS1 input.
		UNFR	Configures the same as AUTO except unframed payloads do not cause the ES-P and SES-P counters to increment.
DS1 Line Coding (see "DS1 Line Coding (DS1) Option" on page 21)	DS1	AUTO	The H2TU-C-231 and H2TU-R monitor the incoming DS1 bit streams for the B8ZS code. If the H2TU-R detects this code, the H2TU-C enters B8ZS output mode. The H2TU-C reverts back to AMI output mode if no B8ZS codes are received at the H2TU-R input for 5 seconds. Similarly, when the H2TU-C detects the B8ZS code, the H2TU-R enters B8ZS mode and returns to AMI mode if no B8ZS code is received at the H2TU-C input for 5 seconds.
		B8ZS	Places both the H2TU-C and H2TU-R into B8ZS mode.
		AMI	Places both the H2TU-C and H2TU-R into AMI mode.
H2TU-C Equalization See "H2TU-C Equalization (EQL) Option." on page 21.)	EQL	EXT	Disables the H2TU-C internal equalizer, allowing connection of external equalizer hardware to perform the same or a similar function.
		0	Sets the Equalizer to DSX-1 for 0 to 132 feet.
		133	Sets the Equalizer to DSX-1 for 133 to 265 feet.
		266	Sets the Equalizer to DSX-1 for 266 to 398 feet.
		399	Sets the Equalizer to DSX-1 for 399 to 532 feet.
		533	Sets the Equalizer to DSX-1 for 533 to 655 feet.
H2TU-R Line Buildout	RLBO	0 dB	Sets the DS1 receive level output toward the Customer Interface (CI). H2TU-R Line Buildout can only be set through the HDSL2 maintenance screens.
		-7.5 dB	Sets the DS1 RLBO level toward the CI to -7.5 dB.
		-15.0 dB	Sets the DS1 RLBO level toward the CI to -15.0 dB.

Table 5. H2TU-C-231 List 1 Standard Config Screen Options (Cont.)

Standard Config Screen Options	Screen Display Code	Selection	Description
Alarm Pattern	ALMP	AIS	Enables the HiGain HDSL2 system to output an AIS payload at its DS1 ports for LOSW and DS1 LOS. See Figure 27 on page 42 for LOS/AIS response priorities.
		LOS	Enables the HiGain HDSL2 system to output an LOS condition at its DS1 ports for LOSW and DS1 LOS.
H2TU-R TOS Loopback	TLOS	ENA	Enables a logic loopback at the H2TU-R when an LOS occurs at its DS1 input. See Figure 27 on page 42 for LOS/AIS response priorities.
		DIS	Disables Transmit Loss of Signal (TLOS) logic loopback.
Network Loopback Pattern	NLBP	AIS	Enables the H2TU-R to transmit an AIS towards CI for any network loopback. See Figure 27 on page 42 for LOS/AIS response priorities.
		LOS	Enables the H2TU-R to transmit an LOS towards CI for any network loopback.

Table 6. H2TU-C-231 List 1 PairGain Config Screen Options

PairGain Config Screen Options	Screen Display Code	Selection	Description
Line Power Feed	PWRF	OFF	Disables powering to the HDSL2 pair.
		ON	Keeps the HDSL2 line voltage at nominal -185 Vdc.
Remote Provisioning	RTPV	ENA	Enables remote provisioning.
		DIS	Disables remote provisioning.
Bipolar Violation Transparency (See "Bipolar Violation Transparency (BPVT) Option" on page 22.)	BPVT	ENA	Enables BPVs and HDSL2 CRC errors at the DS1 input to be converted into DS1 BPVs at the DS1 output at the distant end. This makes HiGain HDSL2 transparent to BPVs.
		DIS	Disables BPV Transparency.
DS1 BER Threshold	DBER	ENA	Enables the fixed 24-hour DS1 BER threshold.
		DIS	Prevents the generation of a system alarm due to DS1 BER.
HDSL2 BER Threshold (See "HDSL2 BER Threshold (HBER) Option" on page 21 and "System Alarm Output Pins" on page 55.)	HBER	1E-6	System alarm relay contact closes and the Status LED flashes red when the Block Error Rate exceeds 10 ⁻⁶ .
		1E-7	System alarm relay contact closes and the Status LED flashes red when BER exceeds 10 ⁻⁷ .
		NONE	Prevents generation of a system alarm due to BER.
Special Loopback Mode	SPLB	GNLB	Configures the HiGain HDSL2 system to respond to the generic inband loopback codes.
		A1LB and A2LB	Configures the HiGain HDSL2 system to respond to the inband loopback codes of the Teltrend addressable repeater.
		A3LB	Configures the HiGain HDSL2 system to respond to the inband loopback codes of the Wescom addressable repeater.
		A4LB	Configures the HiGain HDSL2 system to respond to the inband loopback codes of the Wescom Mod 1 addressable repeater.
		A5LB	Configures the HiGain HDSL2 system to respond to the inband loopback codes of the Teltrend Mod 1 addressable repeater.

Table 6. H2TU-C-231 List 1 PairGain Config Screen Options (Cont.)

PairGain Config Screen Options	Screen Display Code	Selection	Description
SmartJack Loopback	LPBK	ENA	Enables the HiGain HDSL2 system to recognize all inband SmartJack (SMJK) loopback commands.
		DIS	Configures the HiGain HDSL2 system to ignore all inband SmartJack loopback commands.
Minor Alarm	ALM	ENA	Enables the generation of the output alarm on pins 20 and 21 when a system alarm condition occurs.
		DIS	Disables the generation of the output alarm on pins 20 and 21 when a system alarm condition occurs.
Remote Disconnect Alarm	RDA	ENA	Enables a remote DS1 LOS condition at the input to the H2TU-R to generate an LOS alarm. AIS or LOS (depending on ALMP) is sent towards the network.
		DIS	Prevents a remote DS1 LOS condition at the input to the H2TU-R from causing an LOS alarm. The front-panel Status LED still flashes red and the ALRM RLOS message is displayed, but the alarm relay contacts do not close and LOS is sent towards the network from the H2TU-C instead of AIS.

HDSL2 BER Threshold (HBER) Option. The HBER option permits the monitoring of loop integrity and reporting of alarms when excessive errors are detected. The PM primitive used for this purpose is the CRC checksum performed on the HDSL2 frame for both directions of transmission. It is, therefore, called a block error rate rather than the bit error rate associated with the DS1 interface. The CRC errors and counts are displayed on the Monitor screen for both the H2TU-C and H2TU-R. The HBER option allows an alarm to be generated if the total number of CRCs at either the H2TU-C or H2TU-R exceeds the selected BER threshold during the last 1-minute interval.

- HBER option = 1E-6. Alarm is generated if CRC > 92
- HBER option = 1E-7. Alarm is generated if CRC > 9

Once initiated, the HBER count clears when the CRC count drops below the selected threshold. Selecting NONE inhibits this alarm.

DS1 Line Coding (DS1) Option. The DS1 line code option should always be set to conform to the type of DS1 service (AMI or B8ZS) being provided by the HiGain HDSL2 system. The Auto mode, which can adapt to either AMI or B8ZS, should only be used in applications that require it (such as when HiGain HDSL2 acts as a standby circuit to DS1 circuits whose line codes are not known or may be both AMI and B8ZS). This is because the Auto mode induces one BPV in the DS1 bit stream whenever it switches from AMI to B8ZS. The Auto mode allows both the H2TU-C and the H2TU-R to set its DS1 output code to that which is being received at the distant end DS1 input. This forces the input and the output codes in each direction of transmission to be identical.

H2TU-C Equalization (EQL) Option. Equalization is the configuration of system transmission characteristics within specified limits. An adaptive equalizer inserts a frequency-shaped loss that corresponds to an equivalent addition of an appropriate cable length. By simulating the additional cable loss necessary for correct operation, the equalizer compensates for a range of variation in transmission path characteristics.

Alarm Pattern (ALMP) Option. To improve HiGain HDSL2 compatibility with the switch-to-protect features used in Digital Loop Carrier (DLC) feeder applications, the H2TU-C-231 has an Alarm Pattern (ALMP) option that allows you to select either an AIS or LOS DS1 output payload for the following alarms:

- LOSW on any loop
- DS1 LOS

Bipolar Violation Transparency (BPVT) Option. The H2TU-C-231 improves compatibility with Digital Loop Carrier (DLC) feeder applications because of its ability to transmit DS1 BPV occurrences between its DS1 interfaces. This feature is required to support protection switching in DLC applications. Each DLC terminal must be able to monitor the integrity of its Receive DS1 payload and then switch to the protect line when the integrity of the path drops below specific user selected limits. An essential requirement of this feature is the need for each DLC terminal to detect BPVs in its DS1 input. Standard HDSL systems correct DS1 BPVs at the input and therefore prevent them from being detected by the DLC terminals to which they are connected. The H2TU-C-231 and its associated remote units remove this limitation and become BPV transparent by detecting and counting input BPVs at each end and then by replicating them at the DS1 output port of the distant end.

The BPV count is converted into BPVs at the distant end during the following second at a rate of 1 BPV every 128 DS1 bits up to a maximum of 12000 ($BER=7.7 \times 10^{-3}$). This maximum rate is more than adequate since it exceeds the maximum 10^{-3} BER required by most DLC systems.

DS1 BER (DBER) Option. The DS1 BER alarm occurs when any of the DS1 or DSX-1 performance monitoring parameters listed in Table 7 exceed the counts shown for the 24-hour period between 12:00:00 AM through 11:59:59 PM. These thresholds correspond to a 10^{-6} BER. All PM counters clear to zero at 12:00:00 AM or when Master Clear is selected.

Table 7. DS1/DSX-1 24-Hour PM Threshold

Parameter	Threshold Count
CV-L (BPV)	133,400
ES-L, ES-P, PRM-NE, PRM-FE	648
SES-L, SES-P	100
UAS-P, UAS-L	10

Resetting the H2TU-C



Resetting the H2TU-C 231 to its original factory settings may cause interruption of service.

To reset the H2TU-C-231 List 1 to its original factory defaults:

- 1 Press **C** to select the Config menu.
- 2 Use the **↑** and **↓** arrow keys to select **Set Factory Defaults**, then press **ENTER**.
- 3 Press **Y** if you are certain you want to reset the H2TU-C, or press **N** to cancel this action.

```

Monitor Performance Event Log Config Inventory Rlogon Help
+-----+
| Standard Options -> |
| PairGain Options -> |
| Date and Time -> |
| Master Clear |
| Set Factory Defaults |
+-----+

SETTING FACTORY DEFAULTS...SERVICE *MAY* BE INTERRUPTED! ARE YOU SURE (Y/N)?
ID: xxxx--xxxx--xxxx--xxxx 04/15/00 12:30:01 H2TU-C System: OK

```

Figure 10. Configuration Menu - Reset to Factory Defaults

Clearing the History, Alarm, and Event Log Screens

Select Master Clear to clear the History, Alarm, and Event Log screens after the system has been installed and is functioning properly. This removes miscellaneous data acquired during the startup session and ensures collection of accurate and meaningful data thereafter.



Figure 11. Master Clear

To clear the Event Log, press **E** to select the Event Log screen, then press **L** to clear the screen.

To clear an individual history or alarm screen, do the following:

- 1 Press **P** to select the Performance screen.
- 2 Press the **SPACEBAR** to select either interface (**H2TU-C DS1**, **H2TU-R DS1**, **H2TU-C HDSL2** or **H2TU-R HDSL2**), then press **ENTER**.
- 3 Press the **SPACEBAR** to select the type of statistics (**Current**, **Alarm History**, **25 Hour History**, **48 Hour History**, or **31 Day History**) and press **ENTER** after your selection.
 - Selecting **31 Day History** allows you to clear the Current, 25 Hour, 48 Hour, and 31 Day performance history screens for the selected interface.
 - Selecting **Alarm History** allows you to clear the alarm history screen for the selected interface. For information about the DS1 and HDSL2 Alarm screens, see [Table 11 on page 36](#).
- 4 Press **L** to clear the screen.

To clear ALL history, alarm, and event log screens by this method:

- 1 Press **C** to select the Config screen.
- 2 Select **Master Clear**.
- 3 Press **Y** to clear all screens.

MONITORING SYSTEM ACTIVITY AND PERFORMANCE

The HDSL2 system provides the following maintenance screens for monitoring system activity and assessing performance.

- The Monitor screens provide a graphical representation of circuit activity and allow initiation of loopbacks.
- The Performance screens provide current, 25-hour, 48-hour, and 31-day performance histories and a continuous alarm history.
- The Event Log provides a description of the 100 most recent events.

SYSTEM OVERVIEW

Future product enhancements will support up to two regenerators with three HDSL2 spans as shown in [Figure 12](#).

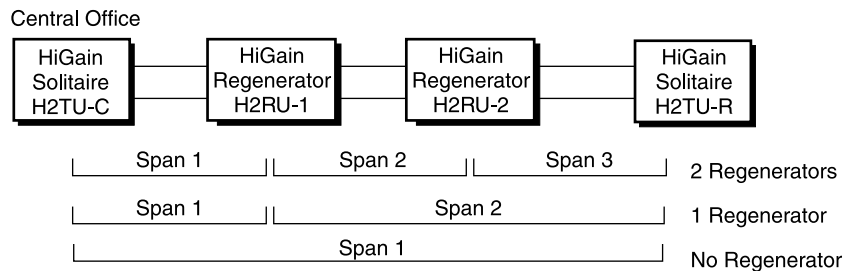


Figure 12. System Spans

The Monitor and Performance screens provide important activity and performance information about the HDSL2 spans and span devices.

USING THE MONITOR SCREEN TO VIEW SYSTEM ACTIVITY

- 1 Press **M** to view the system diagram.

Figure 13 shows an armed circuit with an active loopback and alarms. Terms used on the system diagram are defined in the onscreen Help menu glossary. Abnormal situations are highlighted on the diagram. See Table 8 on page 27 for screen field descriptions.

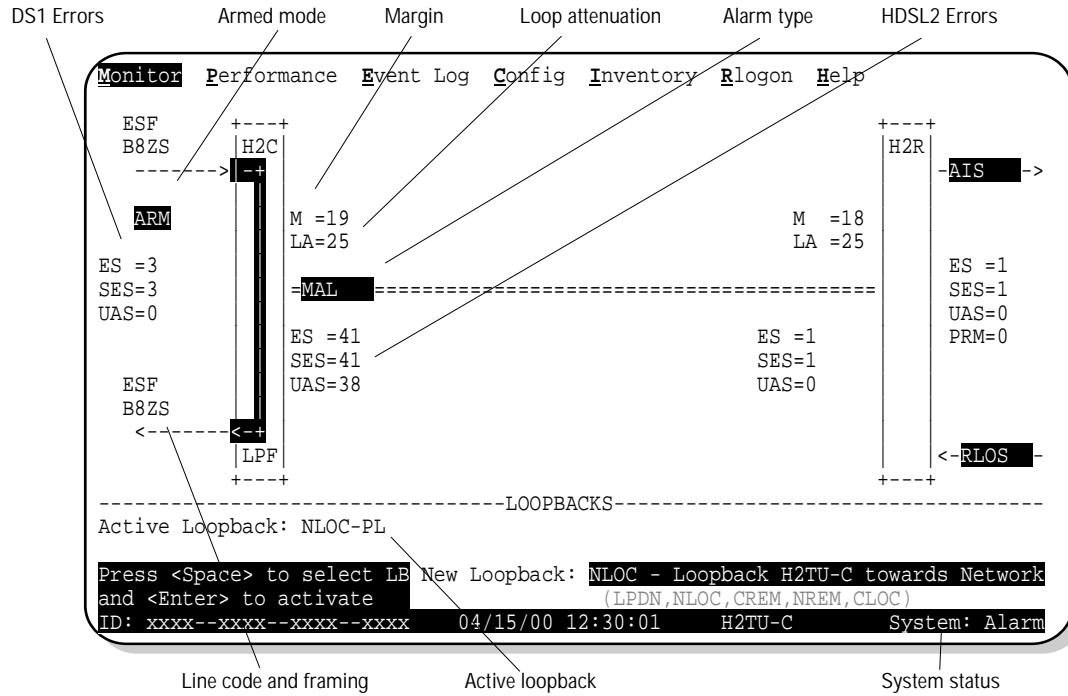


Figure 13. Monitor Screen - Active Loopback with Alarms

- 2 To initiate a loopback, press the **SPACEBAR** to cycle through the loopback choices. Press **ENTER** to make your choice,
When prompted with the message: Are you sure (Y/N)?, press **Y** to initiate the loopback or **N** to cancel. For more information about loopbacks and troubleshooting, see "Testing" on page 40.
- 3 To initiate a loopdown of all active loopbacks, press the **SPACEBAR** to select **LPDN**, then press **ENTER** or **N**. When prompted with the message: Are you sure (Y/N)?, press **Y** to initiate the loopdown or **N** to cancel.

Table 8. Monitor Screen Descriptions

Field	Description
Active Loopback	An active loopback is indicated on the lower third of the Monitor screen. Available loopbacks are indicated by gray text. See Table 15 on page 44 for a summary of the HiGain HDSL2 loopback codes.
Alarm type	Indicates type of alarm.
Armed mode	Indicates system is in an armed state for an intelligent repeater loopback command.
Code type	Type of DS1 line coding received or sent (B8ZS or AMI).
DS1 ES Count	Errored Seconds—The sum of the Errored Seconds-Line (ES-L) and Errored Seconds-Path (ES-P) counts detected on the DS1 input over a 24-hour period. Errors included are: DS1 Frame errors, BPV, and ESF CRC errors.
DS1 SES Count	Severely Errored Seconds—The sum of the DS1 Severely Errored Seconds-Line (SES-L) and Severely Errored Seconds-Path (SES-P) counts over the last 24 hours.
DS1 UAS Count	Unavailable Errored Seconds—The number of seconds during which the DS1 input signal was absent over a 24-hour period.
Frame type	Type of DS1 framing detected at the input stream (SF, ESF, or UNFR).
HDSL2 ES Count	Errored Seconds—The number of 1-second intervals that contained at least one CRC or LOSW error. This value is a running total of the last 24 Hours.
HDSL2 SES Count	Severely Errored Seconds—The number of 1-second intervals that contain at least 50 CRC errors or one or more LOSW defects. (An LOSW defect occurs when at least three consecutive HDSL frames contain one or more frame bit errors.) This value is a running total of the last 24 hours.
HDSL2 UAS Count	Unavailable Errored Seconds—The number of seconds the HDSL2 loop is unavailable. This occurs after 10 contiguous HDSL SES and is retired after 10 contiguous non-SES seconds. This value is a running total of the last 24 hours.
ID	Circuit identification (ID) number.
LA	Loop Attenuation—Indicates the attenuation of the Overlapped Pulse Amplitude Modulation Transmission with Interlocking Spectra (OPTIS) pulse from the distant end. The value is related to the loop attenuation at 196 kHz and should be kept under 35 dB.
LPF	Line Power Feed—Indicates the HDSL2 line power is on.
M	Margin—The signal-to-noise ratio at all HDSL2 ports, relative to a 10^{-7} Bit Error Rate.
MAL	Margin Alarm—Indicates the margin on HDSL2 loop has dropped below the threshold (0 to 15dB) as set by the operator.
PL (or HG)	PL displays when the loopback was initiated by a command embedded in the DS1 data path payload (PL). HG displays when the loopback was initiated from a HiGain (HG) front panel or by a HiGain maintenance terminal loopback command.
PRM	The sum of the Performance Report Messaging-Near End (PRM-NE) and Performance Report Messaging-Far End (PRM-FE) counts.
System Status	The presence or absence of an alarm condition is indicated on the lower right corner of all screens. System: OK indicates that there are no alarms present; System: Alarm indicates the presence of an alarm. Refer to “Using the Performance Screens to View Alarm Data” on page 34 for detailed alarm information.

USING THE PERFORMANCE SCREENS TO VIEW PERFORMANCE DATA

The Performance screens display:

- CRC statistics for the HDSL2 or DS1 interface in 31-day, 48-hour, 25-hour and current history reports.
- Alarm statistics for the HDSL2 (Figure 23) or DS1 interfaces (Figure 24 on page 35) on a continuous basis.

To access the Performance history screens:

- 1 Press **P** to select the Performance screen.
- 2 Press the **SPACEBAR** to select either interface (**H2TU-C DS1**, **H2TU-R DS1**, **H2TU-C HDSL2**, or **H2TU-R HDSL2**), then press **ENTER**.
- 3 Press the **SPACEBAR** to select the type of statistics (**Current**, **Alarm History**, **25 Hour History**, **48 Hour History**, or **31 Day History**), then press **ENTER**.

Performance History at the DS1 Interface

The Performance History for the DS1 Interface provides 31-day, 48-hour, 25-hour, and current statistics screens for the H2TU-C and the H2TU-R (as viewed from the H2TU-C). Figure 14 below and Figure 15 on page 29 are examples of DS1 performance history screens at the remote unit. Figure 16 on page 29 is an example of DS1 performance history screens at the line unit. Refer to Table 9 on page 31 for descriptions of the kinds of errors reported on DS1 interface screens.

```

Monitor  Performance  Event Log  Config  Inventory  Rlogon  Help
-----
                H2TU-R DS-1 31 Day History (Page 1 of 3)
-----
Date      CV-L   ES-L   SES-L   UAS-L   CV-P   ES-P   SES-P   UAS-P  PRM-NE  PRM-FE
04/01     -     -     -     -     -     -     -     -     -     -
04/02     -     -     -     -     -     -     -     -     -     -
04/03     -     -     -     -     -     -     -     -     -     -
04/04     -     -     -     -     -     -     -     -     -     -
04/05     -     -     -     -     -     -     -     -     -     -
04/06     -     -     -     -     -     -     -     -     -     -
04/07     -     -     -     -     -     -     -     -     -     -
04/08     -     -     -     -     -     -     -     -     -     -
04/09     -     -     -     -     -     -     -     -     -     -
04/10     -     -     -     -     -     -     -     -     -     -
04/11     -     -     -     -     -     -     -     -     -     -
04/12     12    14    10    10    10    10    0     0     0     0
04/13     2     0     0     0     0     0     0     0     0     0
-----
                Press: (N)ext Page, (P)revious Page, C(l)ear History
-----
Press <Space> to cycle through choices and <Enter> to view
Interface : H2TU-R DS-1
Statistics : 31 Day History
ID: xxxx--xxxx--xxxx--xxxx 04/15/00 12:30:01 H2TU-C System: OK

```

Figure 14. H2TU-R DS1 31-Day Performance History

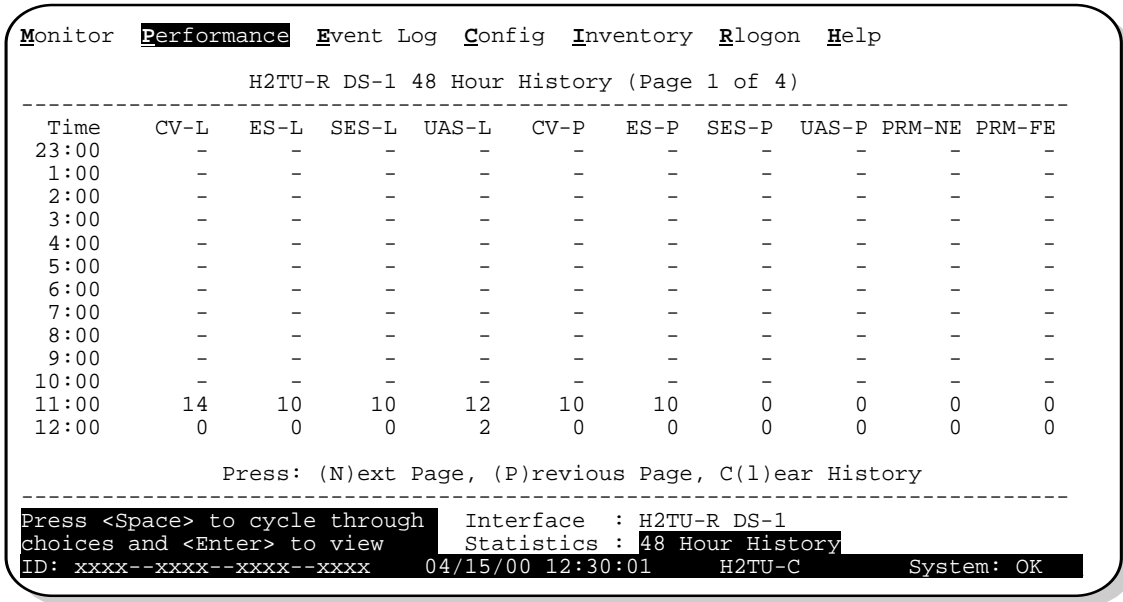


Figure 15. H2TU-R DS1 48-Hour Performance History

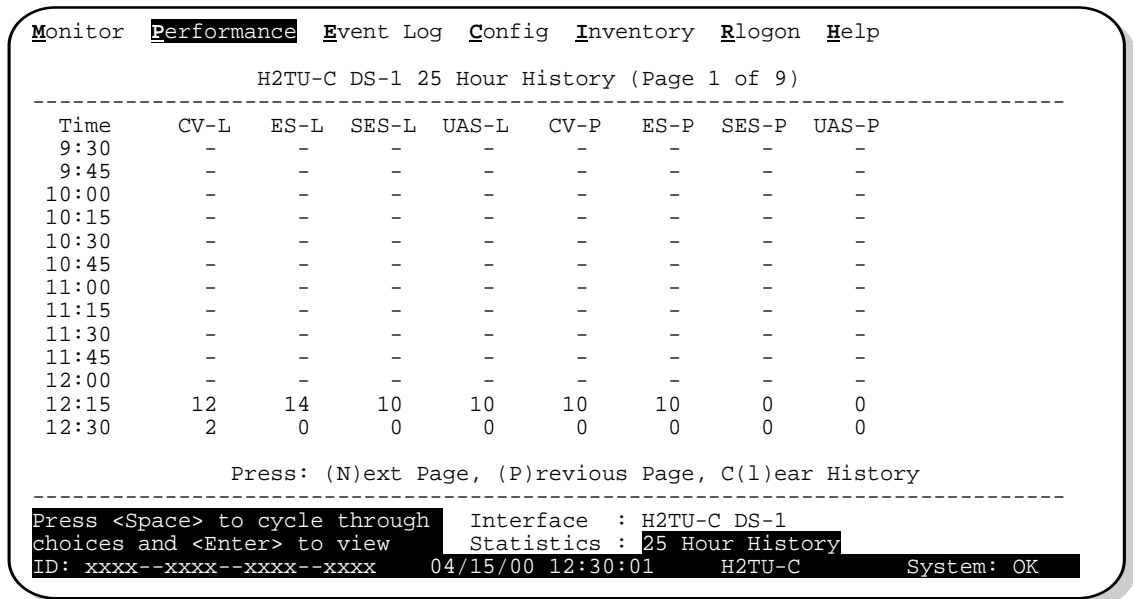


Figure 16. H2TU-C DS1 25-Hour Performance History

Examples of current statistics screens are shown below. [Figure 17](#) and [Figure 18](#) show statistics for the DS1 interface at the remote unit and line unit, respectively. These screens report 1-day, 1-hour, and 15-minute statistics.

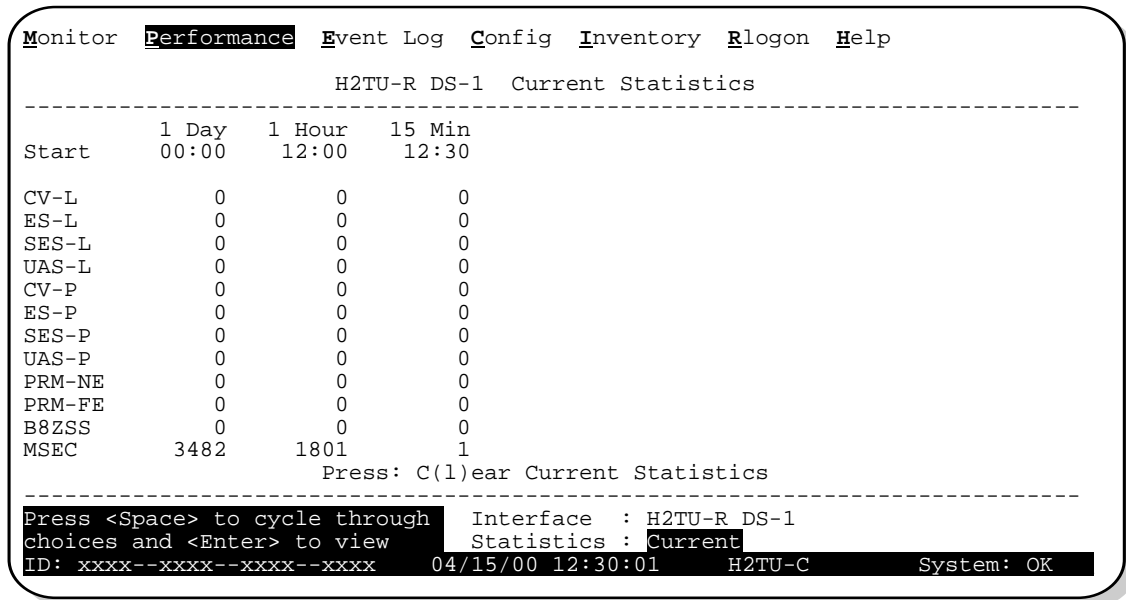


Figure 17. H2TU-R DS1 Current Statistics

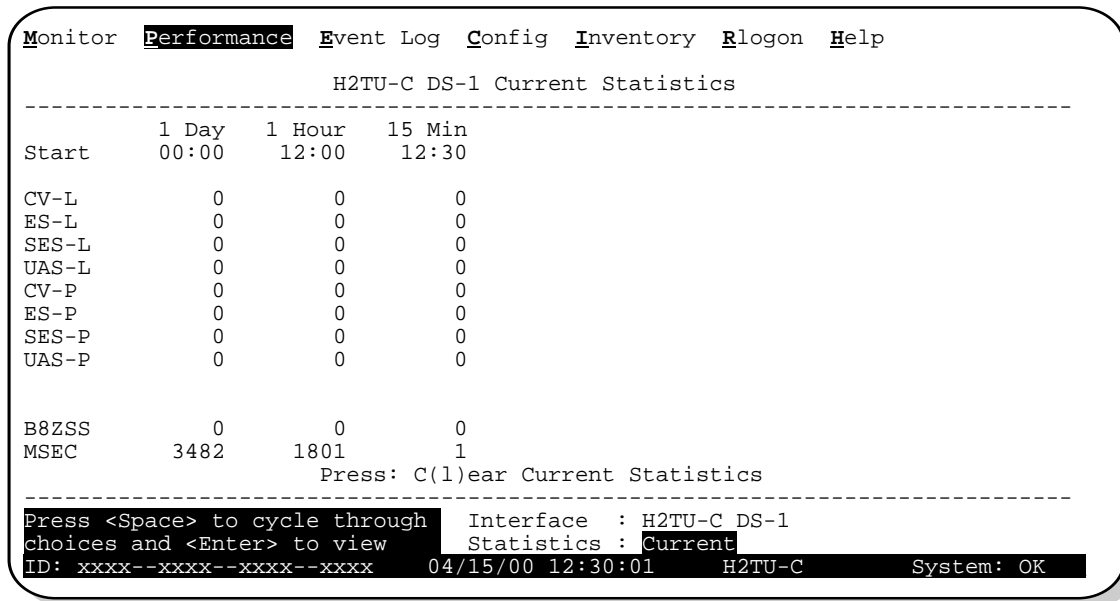


Figure 18. H2TU-C DS1 Current Statistics

Table 9. Acronyms Used on the DS1 Performance History Screens

Error Acronym	Description	Error Acronym	Description
CV-L	Code Violation - Line Total BPV count.	SES-P	Severely Errored Seconds - Path Seconds with SES or CRC(ESF) ≥ 320 or FE ^(a) (SF) $\geq 8 (F_T + F_S)$.
ES-L ^(b)	Errored Seconds - Line Seconds with BPV ≥ 1 .	UAS-P	Unavailable Seconds - Path A second of unavailability based on SES-P or AIS ≥ 1 .
SES-L	Severely Errored Seconds - Line Seconds with BPV plus EXZ ≥ 1544 .	PRM-NE ^(c)	Performance Report Messaging - Near End The PRM from CPE indicates errors, and the signal received from the network at the remote is error-free.
UAS-L	Unavailable Seconds - Line Seconds with LOS ≥ 1 .	PRM-FE ^(c)	Performance Report Messaging - Far End The PRM from the network indicates errors, and the signal received from the CPE is error-free.
CV-P	Code Violation - Path Total count of SF frame bit (FB) errors or ESF, CRC errors.	B8ZSS ^(d)	B8ZS Monitored Seconds Seconds with B8ZS detection when AMI option is active.
ES-P ^(e)	Errored Seconds - Path Seconds with SEF ^(f) , CRC (ESF) or FE ^(b) (SF) ≥ 1 .	MSEC ^(d)	Monitored Seconds of the current (15 minute/1 hour/1 day) screen.

(a) FE is a frame bit error.

(b) Line refers to the AMI, DS1 line code used to transport the payload.

(c) Only appears on H2TU-R Performance History screens.

(d) Appears on the DS1 Current Statistics screens.

(e) Path refers to the total framed payload being transported between two points.

(f) Severely Errored Frame—Two or more frame bit errors occurring in a 0.75 ms interval for SF or a 3 ms interval for ESF.

Performance History at the HDSL2 Interface

The HDSL2 interface has 31-day, 48-hour, 25-hour, and current statistic screens for the H2TU-C. Figure 19 and Figure 20 below are examples of 31-day and 48-hour performance history screens. Figure 21 and Figure 22 on page 33 are examples of 25-hour and current statistics performance history screens. Refer to Table 10 on page 34 for descriptions of the kinds of errors reported on all HDSL2 performance screens.

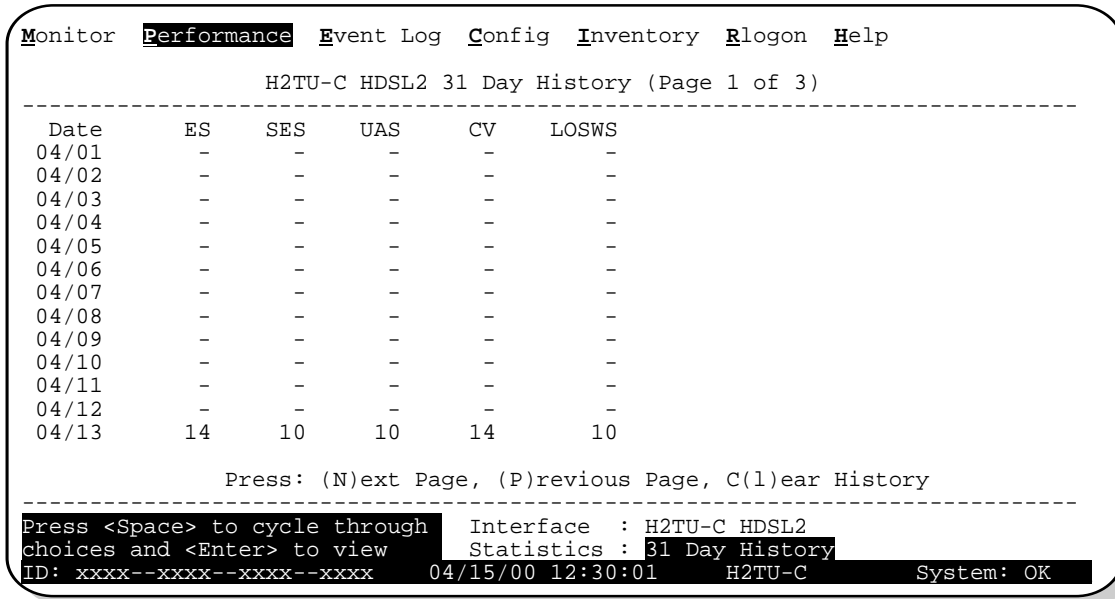


Figure 19. H2TU-C HDSL2 31-Day Performance History

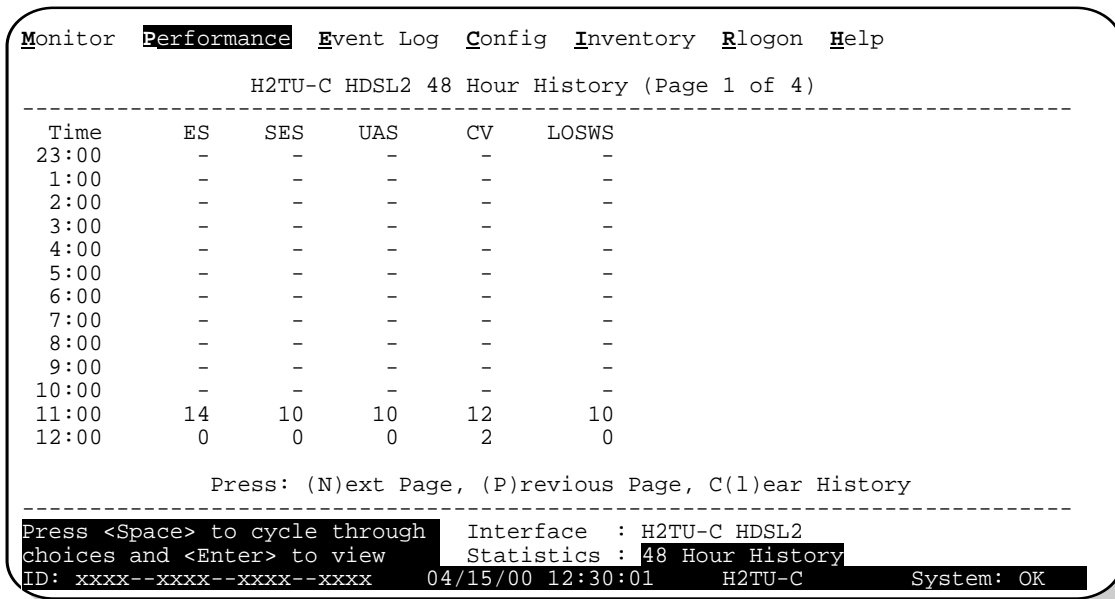


Figure 20. H2TU-C HDSL2 48-Hour Performance History

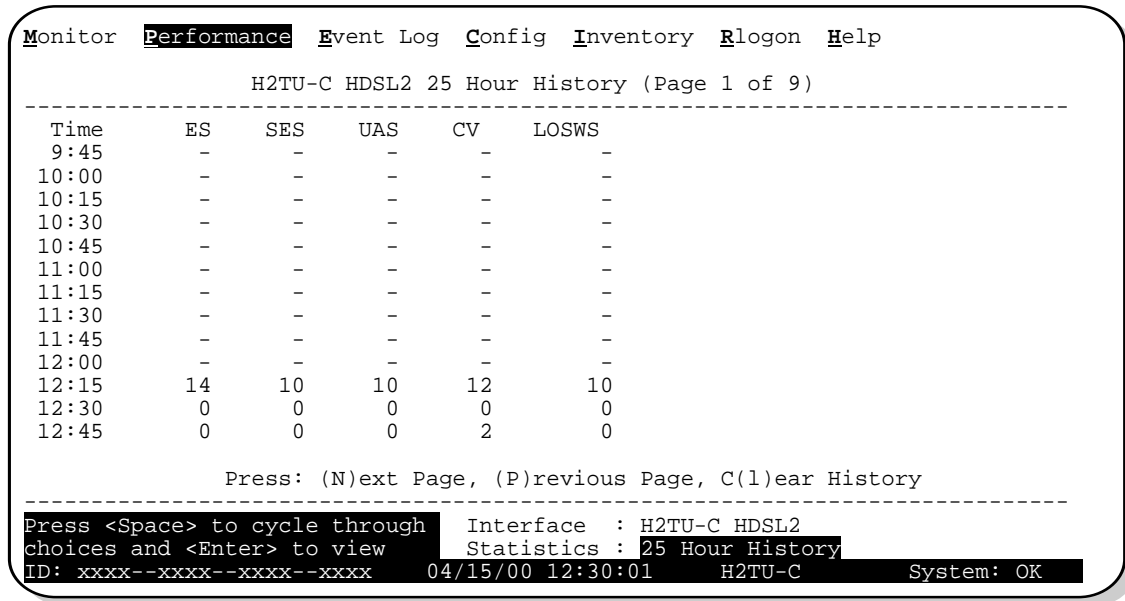


Figure 21. H2TU-C HDSL2 25-Hour Performance History

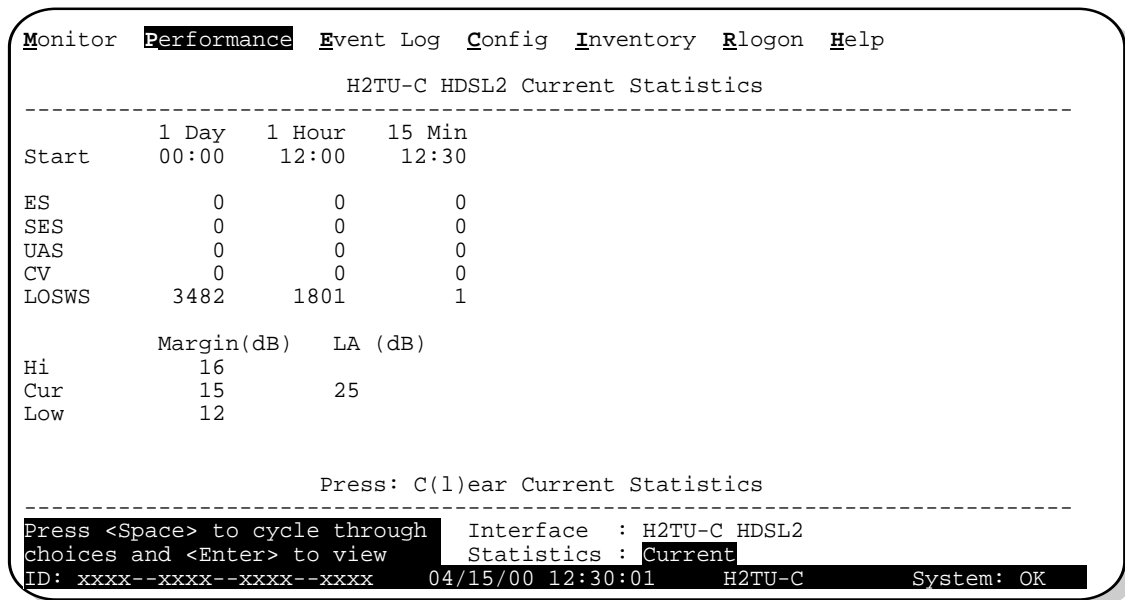


Figure 22. H2TU-C HDSL2 Current Statistics

Table 10. *Acronyms Used on the HDSL2 Performance History Screens*

Error Acronym	Description
ES	Errored Seconds Seconds with HDSL2 CRC ≥ 1 or LOSW ≥ 1
SES	Severely Errored Seconds Seconds with HDSL2 CRC ≥ 50 or LOSW ≥ 1
UAS	Unavailable Seconds Based on 10 contiguous SES occurrences
CV	Code Violation Total count of HDSL2 CRC errors
LOSWS	Loss of Sync Word Second Seconds with LOSW ≥ 1

USING THE PERFORMANCE SCREENS TO VIEW ALARM DATA

To access the alarm history screens:

- 1 Press **P** to select the Performance screen.
- 2 Press the **SPACEBAR** to select an interface (**H2TU-C DS1**, **H2TU-R DS1**, **H2TU-C HDSL2**, or **H2TU-R HDSL2**), then press **ENTER**.
- 3 Press the **SPACEBAR** until **Alarm History** is selected, then press **ENTER**.
- 4 Press **N** or **P** to page through the alarm history screens.
- 5 Press **L** to clear the selected alarm history screen.

Alarm History at the DS1 Interface

The Alarm History screen reports DS1 statistics for the H2TU-C (Figure 23) and the H2TU-R (Figure 24) on a continuous basis. Table 11 on page 36 displays the types of alarms reported for both the H2TU-C and H2TU-R. Current alarms are shown in reverse video.

```

Monitor Performance Event Log Config Inventory Rlogon Help
                                     H2TU-C DS-1 Alarm History
-----
Alarm      First                Last                Status             Count
LLOS     04/03/00 00:00        04/03/00 00:45    ALARM           12
LAIS
DBER       04/03/00 00:37        04/03/00 00:45    OK                 7
LOF
                                     Press: C(1)ear Alarm History
-----
Press <Space> to cycle through Interface : H2TU-C DS-1
choices and <Enter> to view   Statistics : Alarm History
ID: xxxx--xxxx--xxxx--xxxx  04/15/00 12:30:01  H2TU-C           System: Alarm

```

Figure 23. H2TU-C DS1 Alarm History Screen

```

Monitor Performance Event Log Config Inventory Rlogon Help
                                     H2TU-R DS-1 Alarm History
-----
Alarm      First                Last                Status             Count
RLOS     04/03/00 00:00        04/03/00 00:45    ALARM           12
RAIS
RAI
LRAI
PRM-NE
PRM-FE
DBER       04/03/00 00:37        04/03/00 00:45    OK                 7
LOF
                                     Press: C(1)ear Alarm History
-----
Press <Space> to cycle through Interface : H2TU-R DS-1
choices and <Enter> to view   Statistics : Alarm History
ID: xxxx--xxxx--xxxx--xxxx  04/15/00 12:30:01  H2TU-C           System: Alarm

```

Figure 24. H2TU-R DS1 Alarm History Screen

Table 11. DS1 Alarm Descriptions

Screen Alarm	Front-Panel Alarm	Description
H2TU-C DS1 ALARMS (see Figure 23 on page 35)		
LLOS ^(a)	LLOS	Local Loss of Signal—Loss of the H2TU-C DSX-1 input signal.
LAIS ^(a)	LAIS	Local Alarm Indication Signal—Indicates an AIS (all ones) pattern is transmitted from the local DS1 output port. The ALMP option determines whether AIS (default) or LOS is sent towards the CPE.
DBER	DBER	Bit Error Rate—The DS1 BER has exceeded the built-in 24-hour threshold limits of approximately 10^{-6} .
LOF	LOF	Loss of Frame—Indicates the incoming DS1 payload does not contain the specific frame pattern, ESF or SF, selected by the FRMG option. Only occurs if the FRMG option is set to SF or ESF.
H2TU-R DS1 ALARMS (see Figure 24)		
RLOS ^(b)	RLOS	Remote Loss of Signal—Loss of the H2TU-R DS1 input signal.
RAIS	RAIS	Remote Alarm Indication Signal—Indicates an AIS (all ones) pattern is being received at the H2TU-R DS1 input port. By default (see Figure 27 on page 42) AIS-CI ^(b) is sent towards the network.
RAI	RRAI	Indicates an RAI alarm (yellow) from the CPE with errors from the line unit or network.
LRAI	LRAI	Indicates an RAI alarm (yellow) from the CPE with an error-free signal from the line unit or network.
PRM-NE	PRMN	Performance Report Messaging - Near End—The count of the PRM-NE register at the H2TU-R exceeds the 10^{-6} BER threshold at 648 events since 12:00:00 AM.
PRM-FE	PRMF	Performance Report Messaging - Far End—The count of the PRM-FE register at the H2TU-R exceeds the 10^{-6} BER threshold at 648 events since 12:00:00 AM.
DBER	DBER	Bit Error Rate—The DS1 BER has exceeded the built-in 24-hour threshold limits of approximately 10^{-6} .
LOF	LOF	Loss of Frame—Indicates the incoming DS1 payload does not contain the specific frame pattern, ESF or SF, selected by the FRMG option. Only occurs if the FRMG option is set to SF or ESF.
<p>(a) Issues a minor alarm (sent to the management unit or the backplane), if enabled.</p> <p>(b) AIS-CI is a modified AIS alarm pattern. Equipment not suited to detect AIS-CI still detects this signal as an AIS. AIS-CI is sent toward the network indicating that an LOS (RLOS) or AIS (RAIS) has been received from the CPE.</p>		

Alarm History at the HDSL2 Interface

Figure 25 shows the H2TU-C HDSL2 alarm history, and Table 12 below describes the alarms.

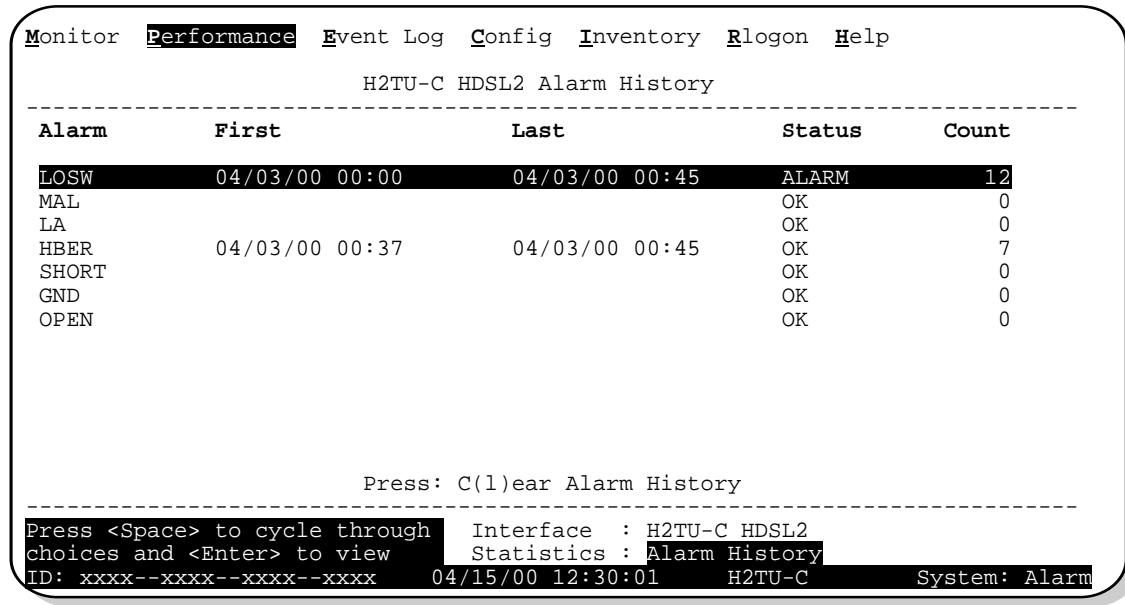


Figure 25. H2TU-C HDSL2 Alarm History Screen

Table 12. HDSL2 Alarm Descriptions

Screen Alarm	Front-Panel Alarm	Description
HDSL2 ALARMS at the H2TU-C and H2TU-R		
LOSW	LOSW	Loss of Sync Word—The HDSL2 loop has lost synchronization.
MAL	MAL	Margin—The margin on the HDSL2 loop has dropped below the minimum threshold value set for the system.
LA	LA	Loop Attenuation—The attenuation on the HDSL2 loop has exceeded the maximum value set for the HDSL2 loop attenuation threshold.
HBER	HBER	Block Error Rate—The HDSL2 BER has exceeded the set threshold limits of 10^{-6} or 10^{-7} .
HDSL2 ALARMS at the H2TU-C only		
SHORT	PWR FEED SHRT	Indicates a short between the Tip and Ring of the HDSL2 pair.
GND	PWR FEED GND	The HDSL2 loop is grounded.
OPEN	PWR FEED OPEN	Indicates a line power open condition.

USING THE EVENT LOG TO TRACK SYSTEM EVENTS

To view a running log of system events, press **E** to select the Event Log. The Event Log displays the date and time of the 100 most recent events (most recent displayed first) and provides a description of each event. See [Table 13 on page 39](#) for an alphabetical listing of all possible event log messages.

- Press **N** or **P** to page through the event log.
- Press **T** to return to the top of the log.
- Press **L** to clear the event log.

```

Monitor Performance Event Log Config Inventory Rlogon Help
-----
System Event Log (Page 1 of 7)
-----
# Location Date and Time Entry
1 System 04/15/00 12:25:00 DS1 Alarm Register reset
2 System 04/15/00 12:25:00 HDLSL2 Alarm Register Reset
3 System 04/15/00 12:25:00 DS1 Performance Register Reset
4 System 04/15/00 12:25:00 HDLSL2 Performance Register Reset
5 System 04/15/00 00:13:32 Time set 12:25:00
6 System 04/15/00 00:13:27 Date set 04/15/00
7 H2TU-C 04/03/00 00:13:27 NLOC: Loop-down
8 H2TU-C 04/03/00 00:11:16 NLOC: Loop-up
9 H2TU-R 04/03/00 00:10:43 DS1 LOS Alarm: End
10 H2TU-R 04/03/00 00:10:30 DS1 LOS Alarm: Begin
11 System 04/03/00 00:04:11 DS1C: AUTO to AMI
12 H2TU-C 04/03/00 00:00:40 HDLSL2 LOSW Alarm: End
13 H2TU-C 04/03/00 00:00:02 HDLSL2 LOSW Alarm: Begin
14 - Empty -
15 - Empty -

Press: (N)ext Page, (P)revious Page, (T)op of Log, C(l)ear Log
ID: xxxx--xxxx--xxxx--xxxx 04/15/00 12:30:01 H2TU-C System: OK

```

Figure 26. System Event Log

Table 13. *Event Log Entry Messages List*

Event Log Messages
Any DS1 Alarm History reset
Any DS1 PM register reset
Any HDSL2 Alarm History reset
Any HDSL2 PM register reset
Any Loop Down (any segment)
Any Loop Up (any segment)
Any provisioning option change: <provisioning mnemonic>: changed from <old> to <new>
CPE DBER alarm (1 day threshold crossed on any PM data except PRM-NE or PRM-FE)
CPE DS1 AIS begins / ends
CPE DS1 LOS begins / ends
CPE PRM-NE BER alarm (<i>at the remote only</i> : 1 day threshold crossed on PRM-NE: trouble on CPE receive)
Current statistics reset
Event Log reset
H2TU-C Power up / down
H2TU-R Power up / down
HDSL2 DC pair open begins/ends on any segment
HDSL2 Ground fault begins/ends on any segment
HDSL2 HBER alarm (threshold crossed) on any segment.
HDSL2 loop attenuation (threshold crossed) on any HDSL2 I/F
HDSL2 margin alarm (threshold crossed) on any HDSL2 I/F
HDSL2 unavailability begins / ends on any segment
Master zero reset
NTWK DBER alarm (1 day threshold crossed of any PM data)
NTWK DS1 LOS begins / ends
NTWK PRM-FE BER alarm (<i>at the remote only</i> : 1 day threshold crossed on PRM-FE: trouble on NTWK far end)
NTWN DS1 AIS begins / ends
Power Feed Open begins / ends
Power Feed Short begins / ends
RAI begins / ends
LRAI begins / ends (RAI-CI sent from the remote towards the network)

TESTING

This section provides information about front-panel system alarms, LOS/AIS response, OCT55 test procedure, and loopback testing.

FRONT-PANEL SYSTEM ALARMS

Table 14 summarizes all possible HiGain HDSL2 system alarms in order of priority as they appear on the front panel. When multiple alarms occur, the front-panel display only reports the highest priority alarm. The alarm history screens display alarms also, but provide greater detail. See “Using the Performance Screens to View Alarm Data” on page 34. All alarms that are not inhibited will drive the front-panel Status LED to a flashing red alarm state.

Table 14. *Front-Panel System Alarms Summary*

Front-Panel Message ^(a)	Alarm	Description	To Inhibit
PWR FEED SHRT ^(b)	Power Feed Short	A short exists between the Tip and Ring of the HDSL2 pair.	Cannot be inhibited.
PWR FEED GND ^(b)	Power Feed Ground	The HDSL2 loop is grounded.	Cannot be inhibited.
PWR FEED OPEN ^(b)	Power Feed Open	A line power open condition exists.	Cannot be inhibited.
SPNn-LOSW ^(c)	Span(n)-Loss of Sync Word ^(d)	The HDSL2 loop has lost synchronization. The span closest to the network has highest priority.	Cannot be inhibited.
LLOS ^(c)	Local Loss of Signal	Loss of the DSX-1 input signal.	Cannot be inhibited.
RLOS ^(c)	Remote Loss of Signal	Loss of the H2TU-R DS1 input signal.	Disable the RDA (Remote Disconnect Alarm) option. The front-panel Status LED still flashes red and the ALRM RLOS message displays to alert you of the LOS state. LOS is sent towards the network from the H2TU-C. This option prevents the common occurrences of a CPE LOS condition from generating recurring alarms and AIS payloads.
LAIS	Local Alarm Indication Signal	Indicates an AIS (all ones) pattern is being transmitted from the local DS1 output port.	Cannot be inhibited.
RAIS	Remote Alarm Indication Signal	Indicates an AIS (all ones) pattern is being received at the H2TU-R DS1 input port.	Cannot be inhibited.
LRAI	Line RAI—Remote Alarm Indication at the H2TU-R (Net signal does not have errors.)	Indicates an RAI alarm (yellow) from the CPE with an error-free signal from the line unit or network.	Cannot be inhibited.
RRAI	Remote RAI—Remote Alarm Indication at the H2TU-R (Net signal has errors.)	Indicates an RAI alarm (yellow) from the CPE with errors from the line unit or network.	Cannot be inhibited.

Table 14. *Front-Panel System Alarms Summary (Cont.)*

Front-Panel Message ^(a)	Alarm	Description	To Inhibit
xxxx-DBER	DS1 Bit Error Rate	The DS1 BER has exceeded the set threshold limits of approximately 10^{-6} . (xxxx denotes either TUC or TUR. If TUC and TUR occur at the same time, then TUC displays.)	Select DIS for the DBER system option.
LOF	Loss of Frame	The DS1 input does not contain the ESF or SF frame pattern setting of the FRMG option.	Change FRMG option to AUTO or UNFR.
PRMF	Performance Report Messaging - Far End	Indicates H2TU-R PRM-FE BER threshold is exceeded.	Set DBER threshold to DIS.
PRMN	Performance Report Messaging - Near End	Indicates H2TU-R PRM-NE BER threshold is exceeded.	Set DBER threshold to DIS.
xxxx-HBER ^(c)	HDSL2 Block Error Rate	The HDSL2 BER has exceeded the set threshold limits of 10^{-6} or 10^{-7} . (xxxx denotes either TUC or TUR. If TUC and TUR occur at the same time, then TUC displays.)	Select NONE for the HBER system option.
xxxx-MAL ^(c)	Margin Alarm	The margin on the HDSL2 loop has dropped below the minimum threshold value set for the system. (xxxx denotes either TUC or TUR. If TUC and TUR occur at the same time, then TUC displays.)	Set the Margin Alarm Threshold option to 0 (zero).
xxxx-LA ^(c)	Loop Attenuation	The attenuation on the HDSL2 loop has exceeded the maximum value set for the HDSL2 loop attenuation threshold. (xxxx denotes either TUC or TUR. If TUC and TUR occur at the same time, then TUC displays.)	Set the HDSL2 Loop Attenuation Threshold option to zero.

(a) The message, ALRM, displays prior to any alarm message.

(b) Message displays repeatedly as long as the alarm condition exists and is not included in the priority order.

(c) Only these alarms assert the System Alarm bus on pins 20 and 21 of the card-edge connector if the ALM option is enabled.

(d) When the HDSL2 loop loses sync word (LOSW), a system alarm condition exists. However, since the H2TU-C-231 enters the acquiring mode, the front-panel status LED flashes red, and the ACQ or SIG message displays instead of the ALRM message.

Alarm Option for Digital Loop Carrier (DLC) Feed

To improve HiGain HDSL2 compatibility with the switch-to-protect features used in DLC feeder applications, the H2TU-C-231 has an Alarm Pattern (ALMP) option that allows you to select either an AIS or LOS DS1 output payload for the following alarms:

- LOSW on any loop
- LOS DS1

Retiring System Alarms

To retire a system alarm, press the SEL button to execute an Alarm CutOff (ACO). An ACO turns the alarm off and replaces the ALRM message with an ACO message. The second part of the ALRM message, which defines the cause of the alarm, remains. Both parts of the message remain until the alarm condition clears or another higher priority alarm occurs.

Remote LOS and AIS Response

Figure 27 shows the different ways the H2TU-R can respond to the network, depending on the configuration of the TLOS, NLBP, RDA, and ALMP configuration options described in Table 5 on page 19 and Table 6 on page 20.

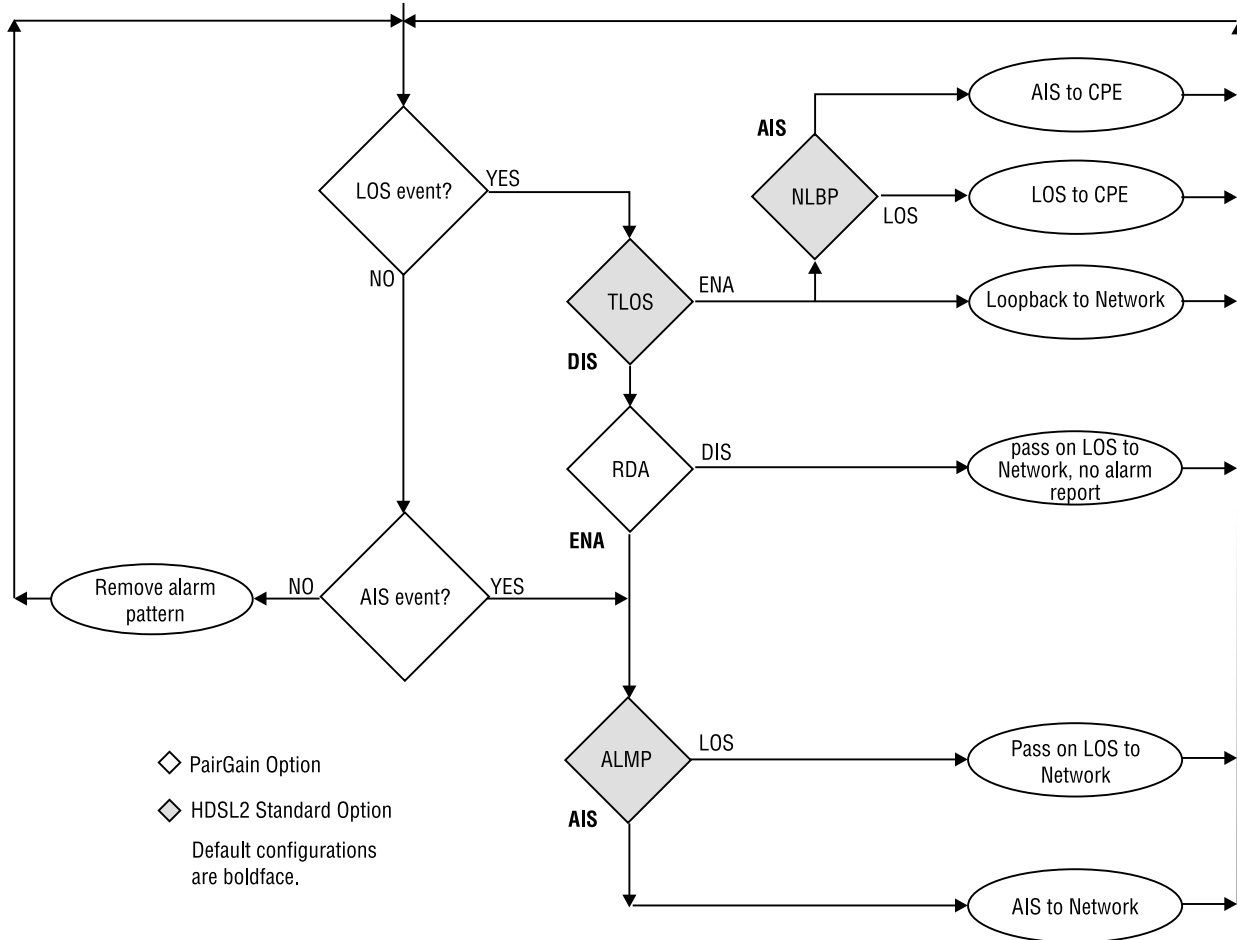


Figure 27. H2TU-R LOS and AIS Response Priorities

OCT55 TEST PATTERN WITH AMI LINE CODE

The OCT55 test pattern can be used in unframed mode to stress the system and verify data integrity. In an SF or ESF framing mode, excessive zero anomalies may occur which cause the H2TU-C to report ES, SES, and UAS errors according to ANSI T1.231-1997.

LOOPBACK OPERATION

HiGain HDSL2 has a family of loopback options for analyzing circuit functionality. The loopback signal is transmitted and returned to the sending device for comparison. This allows you to verify the integrity of the HDSL2 channels to the H2TU-C, the H2TU-C DSX-1 interface, and the DS1 channels to the customer. Loopback options include:

- Generic Loopback (GNLB) options, including the SmartJack (SMJK) option (see [Table 15 on page 44](#))
- Special Loopback (SPLB) options (see [“Special Loopback Commands” on page 45](#)) and the following command tables:
 - Addressable Repeater Loopback commands: A1LB, A2LB, A5LB (see [Table 16 on page 49](#))
 - Addressable Repeater Loopback commands: A3LB, A4LB (see [Table 17 on page 51](#))

Loopback commands can be initiated by:

- Selecting the loopback type using the MODE and SEL buttons on the H2TU-C front panel (or the Manual Loopback button on the H2TU-R)
- Selecting the loopback type from the Monitor Menu when connected to the craft port of the H2TU-C or H2TU-R
- Entering the loopback code (exceptions are COLB, D_xLB, and RULB) into the test equipment connected to the H2TU-C or H2TU-R



HiGain HDSL2 supports multiple loopbacks, but a single loopback is the preferred method.

Generic Loopback Commands

The HiGain HDSL2 Generic Loopback (GNLB) commands allow you to use inband codes to loop up either NLOC (4-in-7) or NREM (3-in-7) towards the network. In addition, these inband codes loop up CREM (6-in-7) or CLOC (5-in-7) towards the customer. Either loopup condition can be terminated (looped down) with the 3-in-5, SMJK loopdown code. All inband codes must be present for at least 5 seconds before the HiGain HDSL2 system responds. HiGain HDSL2 also supports NRG_x regenerator loopbacks to the network and CRG_x regenerator loopbacks towards the customer. TLOS is a logic loopback caused by loss of the DS1 input from the CI.

[Figure 28](#) summarizes the available loopbacks in the system, and [Table 15 on page 44](#) summarizes the HiGain HDSL2 generic loopback commands.

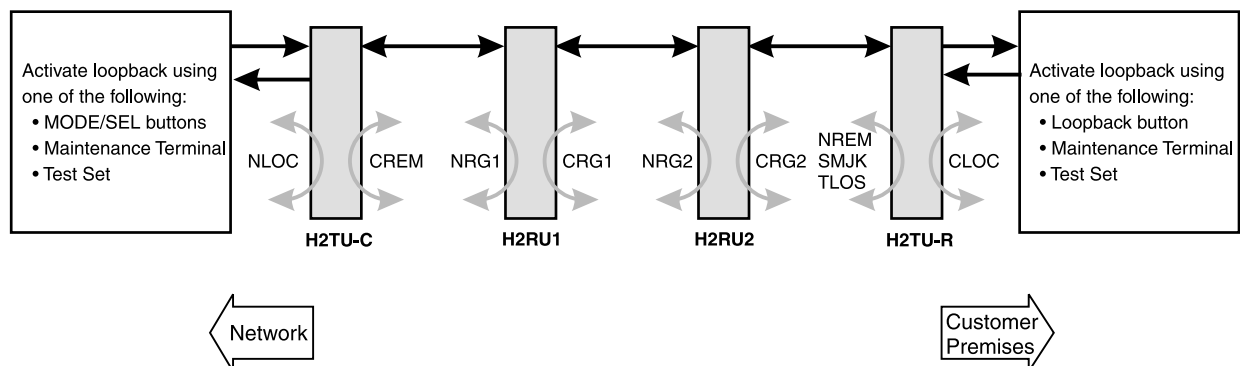


Figure 28. Loopback Summary

Table 15. Summary of HiGain HDSL2 Loopback Codes and Activation Methods

Loopback	Code	Description	Method of Activation		
			Test Set	Craft Port	MODE/SEL
NLOC	1111000 4-in-7	DSX-1 signal is looped back to the network at the H2TU-C.	X	X	X
NRG1	110000 2-in-6	DSX-1 signal is looped back to the network at the regenerator 1.	X	X	X
NRG2	111000 3-in-6	DSX-1 signal is looped back to the network at the regenerator 2.	X	X	X
NREM	1110000 3-in-7	DSX-1 signal is looped back to the network at the H2TU-R.	X	X	X
CLOC	1111100 5-in-7	Signal from the customer is looped back to the customer at the H2TU-R.	X	X	X
CRG1	111100 4-in-6	Signal from the customer is looped back to the customer at regenerator 1.	X	X	X
CRG2	111110 5-in-6	Signal from the customer is looped back to the customer at regenerator 2.	X	X	X
CREM	1111110 6-in-7	Signal from the customer is looped back to the customer at the H2TU-C.	X	X	X
COLB		Dual loopback at the H2TU-C. DSX-1 signal is looped back to the network at the H2TU-C and signal from the customer is looped back to the customer at the H2TU-C.		X	X
DxLB		Dual loopback at regenerator <i>x</i> , if present. DSX-1 signal is looped back to the network at regenerator <i>x</i> and signal from the customer is looped back to the customer at regenerator <i>x</i> .		X	X
RULB		Dual loopback at the H2TU-R. DSX-1 signal is looped back to the network at the H2TU-R and signal from the customer is looped back to the customer at the H2TU-R.		X	X
SMJK LpUp (PL)	11000 2-in-5	SmartJack Loopup or NID payload (PL) code. Invokes H2TU-R loopback towards network.	X		
SMJK LpUp (ESF-DL)	1111-1111- 0100-1000	SmartJack Loopup or NID (ESF-DL) code. Invokes H2TU-R loopback towards network.	X		
SMJK LpDn (PL)	11100 3-in-5	SmartJack Loopdown or NID payload (PL) code. Removes SMJK, NLOC, NREM, CLOC, CREM, CRG _{<i>x</i>} , and NRG _{<i>x</i>} .	X		
SMJK LpDn (ESF-DL)	1111-1111- 0010-0100	SmartJack Loopdown or NID (ESF-DL) code. Removes SMJK, NLOC, NREM, CLOC, CREM, CRG _{<i>x</i>} , and NRG _{<i>x</i>} .	X		



HiGain HDSL2 systems feature the SmartJack option which can emulate a Network Interface Device (NID) for the purpose of loopback testing of the HiGain HDSL2 circuit. SMJK and NREM loopbacks perform the same functions, but their initiation differs. SMJK indicates that the loopback was initiated by the 2-in-5 inband command. NREM, on the other hand, is initiated by the 3-in-7 inband command or by a command issued from the maintenance terminal or the MODE and SEL buttons.

Use the inband commands to enable or disable the SMJK loopback options. The H2TU-C-231 List 1 system setting is normally enabled to recognize all inband SmartJack loopback commands.

Special Loopback Commands

In addition to the GNLB loopback command mode, a HiGain HDSL2 system can be configured for one of five special loopback command modes. These are selected from the maintenance terminal System Settings screen (see [Table 6 on page 20](#)) or by using the MODE and SEL buttons (see [Figure 29 on page 48](#)). Once a loopback mode is activated, other loopback commands can be sent by a test set connected to the craft port of the H2TU-C or H2TU-R (see [Table 16 on page 49](#) and [Table 17 on page 51](#) for list of SPLB commands).

A1LB through A5LB are five special, addressable, repeater loopback modes which are supported by the H2TU-C-231 List 1. These loopback modes provide the HiGain HDSL2 system with sophisticated maintenance and troubleshooting tools. A1LB, A2LB, and A5LB are patterned after the Teltrend addressable DS1 repeater loopbacks. A3LB and A4LB are patterned after the Wescom addressable DS1 repeater loopbacks. All five SPLBs have been enhanced to handle the specific requirements of the following HiGain HDSL2 customers:

- A1LB (Teltrend) = Southwestern Bell
- A2LB (Teltrend) = Southwestern Bell
- A3LB (Wescom) = New England Telephone
- A4LB (Wescom Mod 1) = New York Telephone
- A5LB (Teltrend Mod 1) = Southern New England Telephone (SNET), Southwestern Bell, Pacific Bell

The A1LB loopback selection complies with that proposed for HDSL2 systems in the T1E1.4/92 recommendation with the following additions:

- Query loopback
- IOR (Intelligent Office Repeater) powerdown
- Four loopback time-out choices
- Initiation from either end
- Repeating bit error signatures
- Alternate query loopback

These additions make A1LB identical to A2LB. A1LB is given a separate identity to allow future DS1/E1 enhancements to be added without affecting A2LB.

A5LB differs from A2LB in that A5LB does not block the arming code from exiting the H2TU-C-231 into the network. A1LB and A2LB can be configured to do one of the following:

- Block the arming code (after 2 seconds) from exiting the H2TU-C into the network, and replace it with the AIS code.
- Unblock the AIS code by executing the Far End Activate code. (Since A5LB never blocks the arming code from exiting the H2TU-C, the Far End Activate code is not available in A5LB.)

A3LB differs from A4LB in that A3LB supports the additional (1-in-6) SMJK loopback command.

Manual Loopback Session

A manual loopback session allows you to select any one of the HiGain HDSL2 loopbacks listed in [Table 15 on page 44](#) with the exception of SmartJack loopbacks, which can only be issued by inband commands.

Setting the Loopback Time-out Option

Before initiating a loopback session, verify that the Loopback Time-out parameter is set to the desired setting.

- 1 Use the MODE and SEL buttons as described in “[Setting Options through MODE and SEL](#)” on [page 11](#).
(The Loopback Time-out parameter is also user-selectable from the System Settings screen when using a maintenance terminal.)
- 2 Select the desired setting:
 - NONE (time-out disabled)
 - 20 minutes
 - 60 minutes (default setting)
 - 120 minutes

Activating Manual Loopback Mode



With the exception of SmartJack, any of the HiGain HDSL2 loopbacks can be executed using the MODE and SEL buttons.

When executing a manual loopback session using the MODE and SEL buttons:

- **The next loopback option can be displayed by pressing the MODE button, however, the previously activated loopback remains active until the SEL button is pressed, which activates the new loopback.**
- **If neither button is pressed for a period of 30 seconds and no loopback is in effect, the manual loopback session terminates and the display returns to normal mode.**
- **If any loopback is in effect, the 30-second time-out is inhibited. The active loopback and the manual loopback session continue until the loopback times out in accordance with the LBTO setting.**
- **If there is an active loopback, pressing the MODE and SEL buttons for 3 or more seconds terminates any active loopback, ends the manual loopback session, and returns the display to normal mode.**

To initiate a manual loopback session:

- 1 Press both the MODE and SEL buttons on the front panel for at least 5 seconds. The following message appears on the front-panel display:
MAN LPBK NLO?
- 2 Press SEL to activate NLOC. The display changes to MAN LPBK NLOC.
- 3 Press MODE to advance to the next available loopback:
 - NR x ? = where x is the number of the regenerator, if present.
 - NRE? = NREM
 - CRE? = CREM
 - CR x ? = where x is the number of the regenerator, if present.
 - CLO? = CLOC

- COL? = dual loopback at H2TU-C.
- DxL? = dual loopback at doubler, if present.
- RUL? = dual loopback at H2TU-R.

4 Press SEL to activate the selected loopback. The previous loopback is terminated.

Once a loopback is selected and activated, the loopback stays active until it times out (based on the LBTO setting). When a loopback times out, the display then returns to the normal display mode.

You can terminate loopbacks manually and exit the MAN L_PBK mode by simultaneously pressing the MODE and SEL buttons for 3 or more seconds. If no loopback is active, the MAN L_PBK mode automatically terminates after 30 seconds.

All loopbacks (except dual loopbacks) can be initiated by inband commands in the DS1 payload. Loopbacks can also be initiated by a command from the HiGain HDSL2 system (front-panel buttons or maintenance screen selections). Therefore, whenever a loopback is active, the method by which it was activated is indicated in the Loopback and Status screens by the annotation HG or PL adjacent to the identified loopback. For example, NREM-HG indicates that the loopback was initiated by the HiGain HDSL2 system.



SMJK loopback commands are only activated by inband commands. Dual loopback commands are only activated by the front-panel buttons or maintenance screen selections.

LOOPBACK TEST PROCEDURES

The following sections provide step-by-step test procedures for verifying the integrity of the HDSL2 channels at every module location as well as the DS1 channels to the customer and the local DSX-1 interface.

General Troubleshooting Tips

If trouble is encountered on the DSX-1 interface of the H2TU-C, verify that the:

- H2TU-C is making a positive connection with its mounting-assembly (shelf) connector.
- H2TU-C internal equalizer is set to the correct distance range per [Table 6 on page 20](#). All equalizers should be set to the distance from the DSX-1 to the shelf.

The transmit and receive DS1 DSX-1 ports have splitting access jacks and miniature, 210-series, bridging jacks as shown in [Figure 2 on page 4](#). Connecting one cable between the two bridging jacks and another between the two LINE jacks splits the IN and OUT and creates metallic loopbacks towards both the DSX-1 and the H2TU-C-231. If separate plugs are inserted into both LINE jacks with the other end disconnected, the BRG jacks can be used to send and receive test patterns towards the DSX-1.

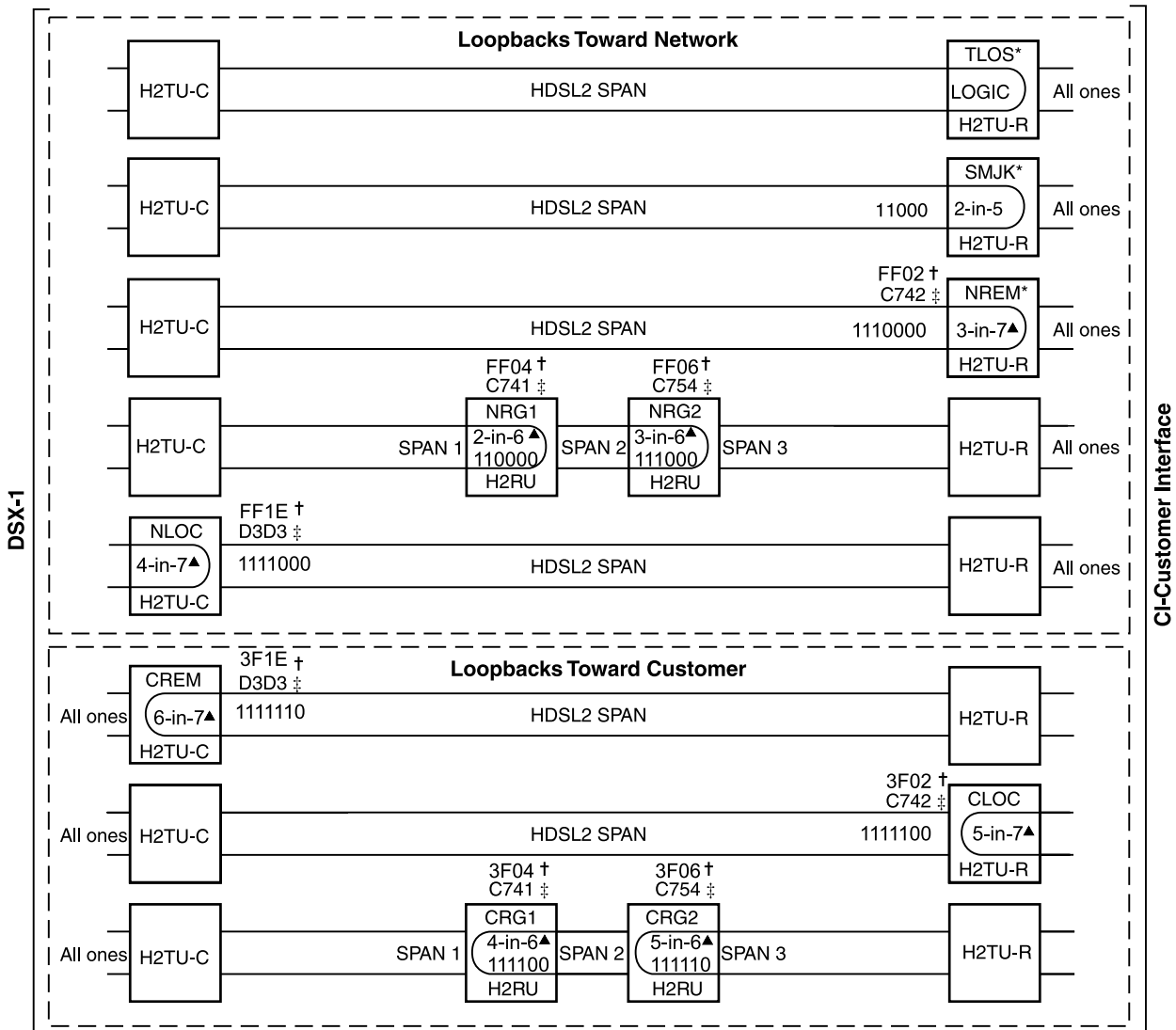
GNLB Test Procedures

[Figure 29 on page 48](#) is a graphical representation of the various loopback configurations with the associated GNLB commands shown. Also, refer to [Table 15 on page 44](#) for a description of these commands.

To perform the GNLB loopback test procedure:

- 1 Have the CO tester send the NREM (3-in-7) inband loopup code for 5 seconds. You should be able to observe the NREM message on the front-panel display. (The Status LED on the front panel should be green, and the loopback mode should also be identified on the Span Status screen.)
- 2 Have the CO tester transmit a DS1 test signal towards the H2TU-C and verify that the returned (looped) signal to the test set is error-free.

- 3 If step 2 fails, have the CO tester transmit the 3-in-5 inband loopdown code.
- 4 Have the CO tester send the NLOC (4-in-7) inband loopup for 5 seconds. You should be able to observe the NLOC message on the front-panel display. (The Status LED on the front panel should be yellow, and the loopback mode should also be identified on the Span Status screen.)
- 5 Repeat Step 2. If the test passes, the problem is in the downstream direction. If it fails, the problem is in the upstream direction.



* Set the NLBP option to AIS to send AIS (indicated by an all ones pattern) for any network loopback.

† A3LB and A4LB loopback codes.

‡ A1LB, A2LB, and A5LB loopback codes.

▲ GNLB loopback codes.

Figure 29. Loopback Modes

A1LB, A2LB, and A5LB Test Procedures

Using the codes listed in [Table 16](#), a network tester can activate NLOC, NRG or NREM loopbacks (or SMJK, if enabled). A tester at the customer premises can activate CLOC, CRG, or CREM loopbacks. All loopbacks shown in [Table 16](#) can also be initiated from the H2TU-C front-panel MODE and SEL buttons (see “[Setting Options through MODE and SEL](#)” on page 11). Information specific to HiGain HDSL2 regenerators is shown in bold type.

Table 16. Addressable Repeater Loopback Commands (A1LB, A2LB, A5LB)

Name	Description	Binary Code ^(a) (Hexadecimal Equivalent)
ARMING or NI LPBK (inband)	Arming code	11000-11000 ...
ARMING or NI LPBK (ESF Data Link)	Arming code	1111-1111-0100-1000 (FF48)
LPDN or DISARM (inband)	Disarming code	11100-11100 ...
IR LPDN or DISARM (ESF Data Link)	Disarming code	1111-1111-0010-0100 (FF24)
IOR LPBK (NLOC and CREM) 230-232 bit errors 229-231 bit errors ^(b)	H2TU-C loopup	1101-0011-1101-0011 (D3D3)
ILR-1 LPBK (NRG1 and CRG1 10 bit errors) ^(b)	Regenerator-1 loopup	1100-0111-0100-0001 (C741)
ILR-20 LPBK (NRG2 and CRG2 200 bit errors)	Regenerator-2 loopup	1100-0111-0101-0100 (C754)
ILR-2 LPBK (NREM and CLOC 20 bit errors)	H2TU-R loopup	1100-0111-0100-0010 (C742)
IR LPDN	Loopdown (H2TU-C, H2RU, or H2TU-R)	1001-0011-1001-0011 (9393)
IR QUERY LPBK	Query loopback	1101-0101-1101-0101 (D5D5)
IR ALTERNATE QUERY LPBK	Alternate query loopback	1101-0101-1110-1010 (D5EA)
TIME-OUT OVERRIDE	Loopback time-out override	1101-0101-1101-0110 (D5D6)
Far End NI ACTIVATE ^(c)	Unblock AIS	1100-0101-0101-0100 (C554)
IOR POWER DOWN (H2TU-C) ^(d)	Removes HDSL2 line power	0110-0111-0110-0111 (6767)

(a) The leftmost bit arrives first in all sequences. The detection algorithm functions reliably with a random 10^{-3} BER on the facility. The entire arming and loopback sequence can also be initiated at the remote H2TU-R location.

(b) The H2TU-R identifies CREM (and the H2TU-C identifies NLOC) with 231 bit errors, including the frame bits. When framed data is being sent in the Auto framing mode, the number of the 231 bit errors detected by the test set varies from 229 to 231, depending on whether or not the test set counts frame errors as bit errors and on the number of frame bits contained in the block of 231 error bits. The H2TU-R and H2TU-C generate this bit pattern in a series of discontinuous bursts containing 20-bit errors each, including frame bits. Those test sets that do not count frame error bits as data bit errors will indicate fewer bits than the H2TU-R and H2TU-C transmit for a CI and NI loopback.

(c) Sending the Far End NI Activate code is not required in A5LB because it is always activated.

(d) The IOR Power Down code must remain present for the duration of the powerdown mode. When this code is removed, the HiGain HDSL2 system returns to its normal unlooped and unarmed state.

To perform the A1LB, A2LB, and the A5LB test procedures:

- 1 Send the inband Arming and NI LPBK code 11000 to the H2TU-C for at least 5 seconds.
- 2 Monitor the output of the H2TU-C for the return of the pattern. Return of the pattern indicates one of the following:
 - the H2TU-R has looped up (if the SMJK Loopback option is enabled)
 - an external NID has looped up (if the SMJK Loopback option is disabled), and the H2TU-C and H2TU-R have been armed.
- 3 Verify, if possible, that the H2TU-R Loopback LED is either flashing yellow at 4 times per second (indicating that the system is armed), or is a steady yellow (indicating that it is both armed and in SMJK loopback). The H2TU-C Status LED also flashes yellow when the system is armed.



If the Arming code is not returned after 5 seconds, the system may be armed but there is no active loopback.

- 4 Once armed, the H2TU-C can be looped back by sending Intelligent Office Repeater (IOR) LPBK activation code 1101-0011-1101-0011 (D3D3) for at least 5 seconds. You should observe the following activation response pattern in the order presented:
 - a 2 seconds of AIS (all ones pattern)
 - b 2 seconds of returning data pattern
 - c 231 logic errors (including the frame bit) occurring in the returned pattern comprising:
 - 10 errors, if ILR-1 (Regenerator 1) was sent
 - 200 errors, if ILR-20 (Regenerator 2) was sent
 - 20 errors, if ILR-2 (H2TU-R) was sent
 - d normal looped data

This error pattern repeats every 20 seconds as long as the IOR loopback pattern is being sent. This also applies to ILR, Time-out Override, and Query commands.

The H2TU-C is now in logic loopback if the IOR NLOC loopback command was sent. The Time-out Override command or a Loopdown command can override the selection made for the loopback time-out (see [“Setting the Loopback Time-out Option” on page 46](#)). If the Time-out Override code 1101-0101-1101-0110 (D5D6) is received after activating a loopback, then the automatic timed expiration of the loopback is inhibited. If this Time-out Override is sent, then the only way to loop the H2TU-C down is to do one of the following:

- issue the Intelligent Repeater (IR) loopdown (LPDN) code 1001-0011-1001-0011 (9393)
- issue the NI LPDN and Disarm inband code 11100 or the ESF-DL code (FF24).



The Time-out Override function is only valid for the current active loopback. The automatic time-out timer is restored during subsequent loopback sessions.

- 5 Once the test is complete, do one of the following:
 - If the system is to loop down but remain Armed, send the IR LPDN code.
 - If all the equipment is to be looped down, disarmed, and returned to normal operation, send the disarm inband code 11100 or the ESF-DL code (FF24).



The Armed mode has an automatic time-out of 120 minutes but this timer is reset to 120 for any of the following events:

- Loopback terminates (manually or time-out)
- Query
- Alternate query
- Far End activate
- Another ARM command

This timer is inhibited while any of the valid command codes are being sent. Once the codes are removed, the timer restarts at 120.

A3LB and A4LB Test Procedures

The H2TU-C-231 can be looped back by sending the Addressable Office Repeater (AOR) LPBK activation code 1111-1111-0001-1110 (FF1E) for at least 5 seconds. This causes the H2TU-C to enter the NLOC state. The Loopback Time-out setting (see “[Setting the Loopback Time-out Option](#)” on page 46) determines the duration of this loopback unless it is overridden by the reception of a second identical 16-bit loopup command before the timer expires. When this time-out override state exists, the only way to loop the H2TU-C down is to issue one of the three loopdown commands listed in [Table 17](#). The automatic time-out mode is restored during subsequent loopback sessions.

[Table 17](#) summarizes the codes required to execute Addressable 3 (A3LB) and Addressable 4 (A4LB) repeater loopback commands. All code sequences must be present for at least 5 seconds. Information specific to HiGain HDSL2 regenerators is shown in bold.

Table 17. Addressable Repeater Loopback Commands (A3LB and A4LB)

Name	Description	Binary Code ^(a) (Hexadecimal Equivalent)
NLOC	H2TU-C loopup from NI	1111-1111-0001-1110 (FF1E)
CREM	H2TU-C loopup from CI	0011-1111-0001-1110 (3F1E)
NRG1	H2RU regenerator 1 loopup from NI	1111-1111-0000-0100 (FF04)
CRG1	H2RU regenerator 1 loopup from CI	0011-1111-0000-0100 (3F04)
NRG2	H2RU regenerator 2 loopup from NI	1111-1111-0000-0110 (FF06)
CRG2	H2RU regenerator 2 loopup from CI	0011-1111-0000-0110 (3F06)
NREM	H2TU-R loopup from NI	1111-1111-0000-0010 (FF02)
CLOC	H2TU-R loopup from CI	0011-1111-0000-0010 (3F02)
SMJK	H2TU-R loopup from NI	11000-11000-11000 ...
SMJK	H2TU-R loopup from NI ^(b)	100000 100000 100000 ...
SMJK	H2TU-R loopup from NI (ESF-DL)	1111-1111-0100-1000 (FF48)
Loopdown	H2TU-C and H2TU-R loopdown from NI OR CI	11100-11100-11100 ...
Loopdown	H2TU-C and H2TU-R loopdown from NI OR CI	100-100-100 ...
Loopdown	H2TU-C and H2TU-R loopdown from NI OR CI (ESF-DL)	1111-1111-0010-0100 (FF24)

(a) The leftmost bit arrives first in all sequences. The detection algorithm functions reliably with a random 10^{-3} BER on the facility.

The entire arming and loopback sequence can also be initiated at the remote H2TU-R location.

(b) Not supported by A4LB.

APPENDIX A - SPECIFICATIONS

Power

HDSL2 Span Voltage	0 or -185 Vdc
CO Supply	-48 Vdc nominal (-42.5 to -56.5 Vdc) (See "Power Consumption", "Maximum Power Dissipation", and "Maximum Current Drain" on page 53.)
Electrical Protection	Secondary surge and power cross-protection on HDSL2 ports. Requires external primary protection.
Fusing	Internal, connected to "FUSE ALARM" output on pin 32

Environmental

Operating Temperature	-40 °F to +149 °F (-40 °C to +65 °C)
Operating Humidity	5% to 95% (non-condensing)

Physical

Height	5.9 in. (15.0 cm)
Width	1.4 in. (3.5 cm)
Depth	10.0 in. (25.4 cm)
Weight	8.0 oz. (0.23 kg)
Mounting	220 mechanics high-density shelf

HDSL2

Line Rate	1.552 Mbps Overlapped Pulse Amplitude Modulation Transmission with Interlocking Spectra (OPTIS)
Transmission	Full duplex
Media	One non-loaded, copper, two-wire cable pair
Output	+16.8 dBm \pm 0.5 dB at 135 Ω (0-450 kHz) at CO side; +16.5 dBm \pm 0.5 dB at 135 Ω (0-350 kHz) at remote side
Line Impedance	135 Ω
Maximum Loop Attenuation	35 dB at 196 kHz, 135 Ω
Start-up Time	30 sec. (typical), 1 min. (maximum) per span

DSX-1

DSX-1 Line Impedance	100 Ω
DSX-1 Line Rate	1.544 Mbps \pm 200 bps
DSX-1 Line Format	Alternate Mark Inversion (AMI) or Bipolar with 8-Zero Substitution (B8ZS)
DSX-1 Frame Format	Extended SuperFrame (ESF), SuperFrame (SF), or Unframed (UNFR)
DSX-1 Pulse Output	6 V ^{pk-pk} pre-equalized for 0 to 655 feet of ABAM cable
DSX-1 Input Level	+1.5 to -7.5 dB DSX

System

One-way DS1 Delay	<400 μ s per span without regenerators
Wander (Looped)	Meets MTIE T1.101 requirements
Wideband Jitter (Looped)	0.2 UI maximum
Narrowband Jitter (Looped)	0.1 UI maximum

POWER CONSUMPTION

The maximum power consumption and heat dissipation depends upon the type of remote and regenerator units in the system and the CPE power setting.

The three most important power parameters of an H2TU-C are its maximum power consumption, maximum power dissipation, and maximum current drain.

Table 18 describes line-powered circuits on 9 kft, 26 AWG loops without a regenerator.

Table 18. H2TU-C Power Parameters—No Regenerator

Remote Power Source	-48 Vdc Power Consumption (Watts) Maximum	Heat Dissipation (Watts) Maximum	-42.5 Vdc Current (mA) Maximum
Line powered	12.5	7.0	294.0
Local powered	5.0	5.0	117.0

MAXIMUM POWER DISSIPATION

The maximum power dissipation measures the power that is converted into heat that builds up within the unit. It contributes to the total heat generated in the space around the unit. It is used to determine the maximum number of fully loaded shelves per bay that does not exceed the maximum allowable power dissipation density in watts per square foot to comply with GR-63.

In COs, the maximum power dissipation for open-faced, natural convection-cooled mountings is limited to 134.7 watts per square foot per GR-63-CORE. The footprint of a standard 28-slot, 23-inch HCS-417 shelf is 7.024 square feet. Therefore, the maximum bay dissipation is limited to 946 watts. Use this limit and the parameters in Table 18 to determine the maximum number of H2TU-C circuits that can occupy one CO bay.



This is a worst case situation since it assumes the entire CO is subjected to the maximum power density. More favorable conditions would permit increasing the number of shelves per bay without jeopardizing the CO thermal integrity.

The thermal loading limitations imposed when using the H2TU-C in a Controlled Environmental Vault (CEV) or other enclosures are determined by applying its power parameters to the manufacturer's requirements for each specific housing.

The -48 Vdc power consumption is the maximum total power that the H2TU-C consumes or draws from the shelf power source. This parameter is needed when the H2TU-C is in a location remote to the CO it is serving. It determines the battery capacity required to maintain an 8-hour, standby battery reserve for emergency situations. Battery capacity, therefore, limits the maximum number of line units which can be installed in a remote enclosure. Use the data in Table 18 to perform this analysis.

MAXIMUM CURRENT DRAIN

The maximum current drain is the maximum current drawn from the shelf power supply when its at its minimum voltage (-42.5 Vdc). This determines the shelf fusing requirements. Use the -42.5 Vdc current data in Table 18 to determine the shelf fusing requirements for your particular H2TU-C applications.

LOOP ATTENUATION

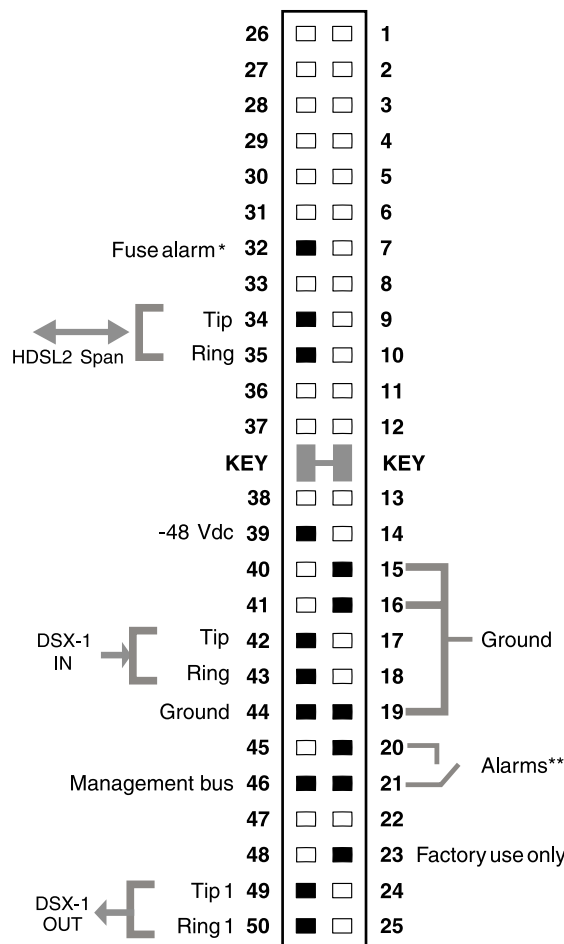
Each loop has no more than 35 dB of loss at 196 kHz, with driving and terminating impedances of 135 Ω (see Table 19 below).

Table 19. HDSL2 Cable Attenuation Chart

Cable Gauge	Loss at 196 kHz (dB/kft)	Ω per kft
26/0.4 mm	3.88	83
24/0.51 mm	2.84	52
22/0.61 mm	2.18	32
19/0.91 mm	1.54	16

H2TU-C-231 LIST 1 CARD-EDGE CONNECTOR

Figure 30 shows the card-edge connectors on the H2TU-C-231 List 1. Active pins are highlighted in black.



* Fuse alarm is normally floating and at -48 Vdc when activated.

** System minor alarm contacts (pins 20 and 21) are normally open, and close upon alarm.

Figure 30. H2TU-C-231 List 1 Card-Edge Connector

Network Management Control Bus

The H2TU-C provides a Network Management Control Bus on pin 46 of the card-edge connector. This allows the various ADC Management System protocols to manage the H2TU-C through the H2MU-319 HiGain Management Unit. Whenever the H2TU-C is under management, the MNGD message displays periodically on the front-panel display.



Some H2TU-C-231 List 1 features are affected when it is under management. Consult the management unit practice for further information (see “Appendix D - Product Support” on page 59).

Fuse Alarm

Pin 32 on the card-edge connector is a fuse alarm that is driven to -48 Vdc through a diode whenever the onboard fuse opens.

System Alarm Output Pins

Pins 20 and 21 on the card-edge connector (see [Figure 30 on page 54](#)) are the H2TU-C-231 System Alarm output relay contacts. The following notes apply to pins 20 and 21:

- The H2TU-C Status LED flashes red for the duration of a system alarm condition.
- Setting the ALM option to DIS only prevents the system alarm relay pins 20 and 21 closing for a system alarm event. The Status LED still flashes red and the ALRM message still displays.

CRAFT PORT

[Figure 31](#) shows the pinout for the craft port connector and its connection to a DB-9 or DB-25 connector on a maintenance terminal.

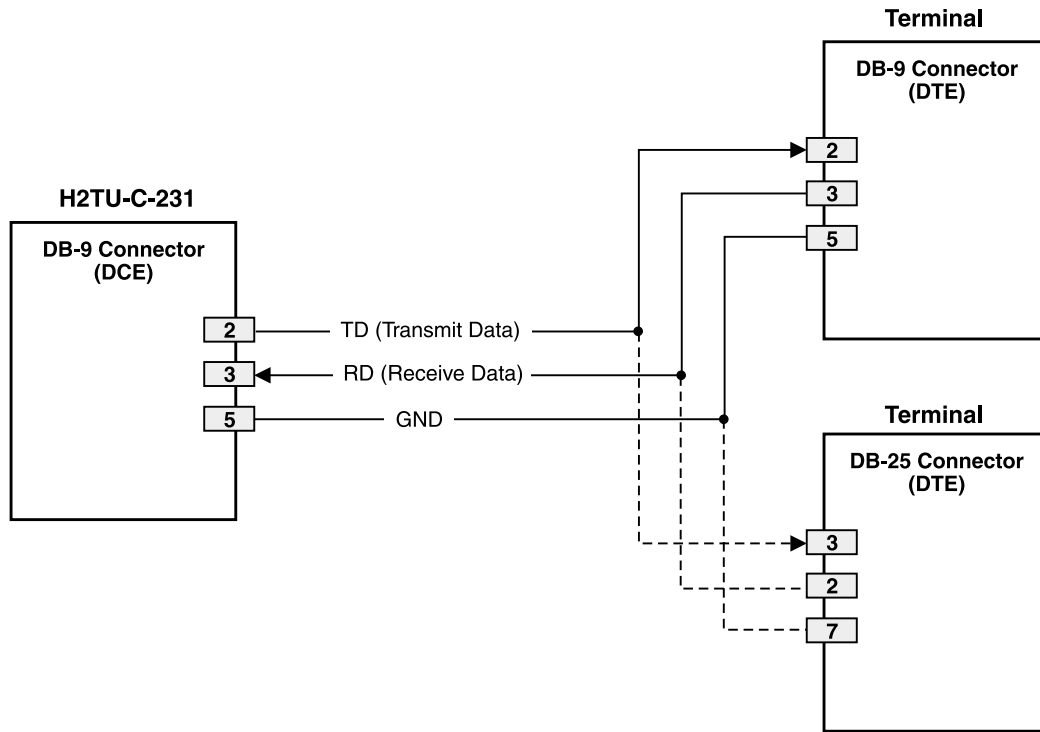


Figure 31. RS-232 Craft Port Pinouts

APPENDIX B - FUNCTIONAL OPERATION

ADC HDSL2 technology provides full-duplex services at standard DS1 rates over copper wires between an H2TU-C and an H2TU-R, which comprise one HiGain HDSL2 system. HiGain HDSL2 systems use ADC Overlapped Pulse Amplitude Modulation Transmission with Interlocking Spectra (OPTIS) transceiver systems to establish full-duplex, 1.552 kbps data channels between the H2TU-C-231 and a remotely located H2TU-R.

A block diagram of the H2TU-C-231 is shown in Figure 32. The H2TU-C-231 receives a 1.544 Mbps DSX-1 data stream from the DSX-1 digital cross-connect interface. The H2TU-C contains a DS1 frame synchronizer controlled by an 8-bit microprocessor that determines the type of framing on the DS1 stream and synchronizes to it. The H2TU-C recognizes SuperFrame (SF) or Extended SuperFrame (ESF) framing. When the data is unframed, the H2TU-C arbitrarily defines a frame bit.

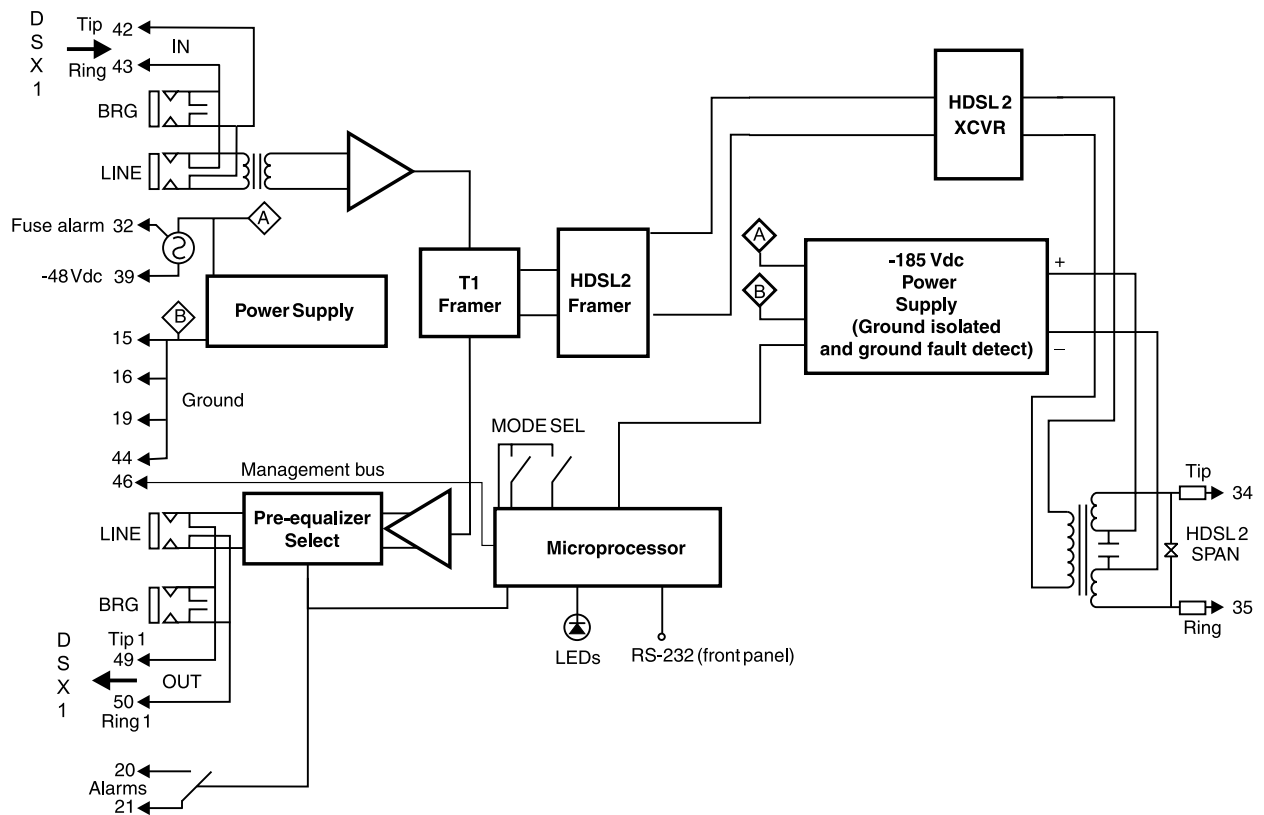


Figure 32. H2TU-C-231 List 1 Block Diagram

TIMING

The low-loop wander (0.5 UI max) of an H2TU-C, when used with compatible regenerators and remote units, allows the circuit to be used in all critical timing applications, including those that are used to transport Stratum 1 timing.

GROUND FAULT DETECT

The H2TU-C has a Ground Fault Detect (GFD) circuit which detects a ground or a resistive path to ground on any wire of the HDSL2 loop. This makes the product compliant with the Class A2 requirements of GR-1089.

APPENDIX C - COMPATIBILITY

The HiGain HDSL2 system uses HDSL2 transmission technology as recommended by Bellcore TA-TSY-001210. HiGain HDSL2 complies with GR-63-CORE, TR-TSY-000499, and GR-1089-CORE.

The H2TU-C-231 List 1 is compatible with the following DS1 repeater shelves and associated equipment:

- ADC HCS-417 (23" shelf)
- ADC HCS-418 (19" shelf)
- ADC HCS-402 (2-slot)
- AT&T 220 Office Repeater Bay (ORB)
- AT&T Small Cross-Section Shelf (SXSS)
- Kentrox 220 (The ALM option must be Disabled (DIS) to resolve a conflict between the H2TU-C alarm relay output and the Kentrox external equalizer output. Both use pins 20 and 21.)
- Wescom® 342-30



The ALM option must be disabled (DIS) when using the Kentrox 220 T-Term shelf. This is required to resolve a conflict between the H2TU-C-231 alarm relay output and the Kentrox external equalizer output. Both use pins 20 and 21.

APPENDIX D - PRODUCT SUPPORT

ADC Customer Service Group provides expert pre-sales and post-sales support and training for all its products.

Technical support is available 24 hours a day, 7 days a week by contacting the ADC Technical Assistance Center (TAC).

Sales Assistance 800.366.3891 extension 73000 (USA and Canada) 952.917.3000 Fax: 952.917.3237	<ul style="list-style-type: none"> • Quotation Proposals • Ordering and Delivery • General Product Information
Systems Integration 800.366.3891, extension 73000 (USA and Canada) 952.917.3000	<ul style="list-style-type: none"> • Complete Solutions (from concept to installation) • Network Design and Integration Testing • System Turn-Up and Testing • Network Monitoring (upstream or downstream) • Power Monitoring and Remote Surveillance • Service/Maintenance Agreements • Systems Operation
BIA Technical Assistance Center 800.638.0031 714.730.3222 Fax: 714.730.2400 Email: wsd_support@adc.com	<ul style="list-style-type: none"> • Technical Information • System/Network Configuration • Product Specification and Application • Training (product-specific) • Installation and Operation Assistance • Troubleshooting and Repair/Field Assistance
Online Technical Support	<ul style="list-style-type: none"> • www.adc.com/Knowledge_Base/index.jsp
Online Technical Publications	<ul style="list-style-type: none"> • www.adc.com/library1/
Product Return Department 800.366.3891 ext. 73748 or 952.917.3748 Fax: 952.917.3237 Email: repair&return@adc.com	<ul style="list-style-type: none"> • ADC Return Material Authorization (RMA) number and instructions must be obtained before returning products.
<i>All 800 lines are toll-free in the USA and Canada.</i>	

APPENDIX E - ABBREVIATIONS

A

ACO: Alarm Cutoff
ADSL: Asymmetric Digital Subscriber Line
AIS: Alarm Indication Signal
ALM: Minor Alarm
ALMP: Alarm Pattern ,
AMI: Alternate Mark Inversion
ANSI: American National Standards Institute
AOR: Addressable Office Repeater
ARM: Armed
ASCII: American Standard Code for Information Interchange
AWG: American Wire Gauge

B

B8ZS: Bipolar with 8-Zero Substitution
B8ZSS: B8ZS Monitored Seconds
BER: Bit Error Rate
BPVT: Bipolar Violation Transparency
BRG: Bridge

C

CEV: Controlled Environmental Vault
CI: Customer Installation
CLEI: Common Language Equipment Identifier
CLOC: Customer Local Loopback
CO: Central Office
CPE: Customer Premises Equipment
CRC: Cyclical Redundancy Check
CREM: Customer Remote Loopback
CRG: Customer Regenerator
CSA: Carrier Service Area
CV: Code Violation
CV-L: Code Violation - Line

D

DBER: DS1 Bit Error Rate Threshold
DDS: Digital Data Service
DLC: Digital Loop Carrier ,
DS1: Digital Signal, level 1
DSX-1: Digital Signal Cross-Connect, level 1

E

ECl: Equipment Catalog Item
EQL: H2TU-C Equalization
ES: Errored Seconds
ESF: Extended SuperFrame
ES-L: Errored Seconds - Line ,
ES-P: Errored Seconds - Path ,

F

FRMG: Framing

G

GNLB: Generic Loopback

H

H2RU: HiGain Solitaire Regenerator Unit
H2TU-C: HiGain Solitaire Line Unit
H2TU-R: HiGain Solitaire Remote Unit
HBER: HDLSL2 Bit Error Rate Threshold
HCDS: High Capacity Digital Service
HCS: HiGain Card Shelf
HG: HiGain
HMU: HiGain Management Unit

I

ID: Identification
IN: Transmit
IOR: Intelligent Office Repeater
IR: Intelligent Repeater

L

LA: Loop Attenuation
LAIS: Local Alarm Indication Signal
LATT: Loop Attenuation Threshold
LBPV: Local Bipolar Violation
LBTO: Loopback Timeout
LED: Light Emitting Diode
LLOS: Local Loss of Signal
LOS: Loss of Signal
LOSW: Loss of Sync Word
LOSWS: Loss of Sync Word Second
LPDN: Loopdown
LPF: Line Power Feed
LRAI: Line RAI

M

MAL: Margin Alarm
MARG: Margin Threshold
MNGD: Managed
MSEC: Monitored Seconds

N

NE: Near End
NEBS: Network Equipment Building System
NI: Network Interface

NID: Network Interface Device
NLBP: Network Loopback Pattern
NLOC: Network Local Loopback ,
NMA: Network Management and Administration
NREM: Network Remote Loopback
NRG: Network Regenerator

O

OPTIS: Overlapped Pulse Amplitude Modulation Transmission
with Interlocking Spectra ,
OUT: Receive

P

PL: Payload
POTS: Plain Old Telephone Service
PRM-FE: Performance Report Messaging - Far End ,
PRM-NE: Performance Report Messaging - Near End ,
PWRF: Line Power Feed

R

RAI: Remote Alarm Indication
RAIS: Remote Alarm Indication Signal
RDA: Remote Disconnect Alarm ,
RLBO: H2TU-R Line Buildout
RLOS: Remote Loss of Signal ,
RRAI: Remote RAI
RTPV: Remote Provisioning

S

S/N: signal/noise
SDSL: Symmetrical Digital Subscriber Line
SES: Severely Errored Seconds
SES-L: Severely Errored Seconds - Line ,
SES-P: Severely Errored Seconds - Path
SF: SuperFrame
SMJK: Remote SmartJack Loopback
SPLB: Special Loopback

T

TLOS: Transmit Loss of Signal

U

UAS-L: Unavailable Seconds - Line
UAS-P: Unavailable Seconds - Path
UNFR: Unframed

CERTIFICATION AND WARRANTY

FCC COMPLIANCE

This equipment has been tested and found to comply with the limits for a Class A digital device, pursuant to Part 15 of the FCC Rules. These limits are designed to provide reasonable protection against harmful interference when the equipment is operated in a commercial environment. This equipment generates, uses, and can radiate radio frequency energy and, if not installed and used in accordance with the instruction manual, may cause harmful interference to radio communications. Operation of this equipment in a residential area is likely to cause harmful interference in which case the user will be required to correct the interference at his own expense.

LIMITED WARRANTY

ADC DSL Systems, Incorporated (“ADC”) warrants that, for a period of sixty (60) months from the date of shipment, the hardware portion of its products will be free of material defects and faulty workmanship under normal use. ADC’s obligation, under this warranty, is limited to replacing or repairing, at ADC’s option, any such hardware product which is returned during the 12-month warranty period per ADC’s instructions and which product is confirmed by ADC not to comply with the foregoing warranty.

ADC warrants that, for a period of 90 days from the date of purchase, the software furnished with its products will operate substantially in accordance with the ADC published specifications and documentation for such software. ADC’s entire liability for software that does not comply with the foregoing warranty and is reported to ADC during the 90-day warranty period is, at ADC’s option, either (a) return of the price paid or (b) repair or replace of the software. ADC also warrants that, for a period of thirty (30) days from the date of purchase, the media on which software is stored will be free from material defects under normal use. ADC will replace defective media at no charge if it is returned to ADC during the 30-day warranty period along with proof of the date of shipment.

The transportation charges for shipment of returned products to ADC will be prepaid by the Buyer. ADC will pay transportation charges for shipment of replacement products to Buyer, unless no trouble is found (NTF), in which case the Buyer will pay transportation charges.

ADC may use reconditioned parts for such repair or replacement. This warranty *does not* apply to any product which has been repaired, worked upon, or altered by persons not authorized by ADC or in ADC’s sole judgment has subjected to misuse, accident, fire or other casualty, or operation beyond its design range.

Repaired products have a 90-day warranty, or until the end of the original warranty period—whichever period is greater.

ADC DISCLAIMS ALL OTHER WARRANTIES, EITHER EXPRESS OR IMPLIED, INCLUDING BUT NOT LIMITED TO IMPLIED WARRANTIES OF MERCHANTABILITY AND FITNESS FOR A PARTICULAR PURPOSE, WITH RESPECT TO ITS PRODUCTS AND ANY ACCOMPANYING WRITTEN MATERIALS. FURTHER, ADC DOES NOT WARRANT THAT SOFTWARE WILL BE FREE FROM BUGS OR THAT ITS USE WILL BE UNINTERRUPTED OR REGARDING THE USE, OR THE RESULTS OF THE USE, OF THE SOFTWARE IN TERMS OF CORRECTNESS, ACCURACY, RELIABILITY OR OTHERWISE.

MODIFICATIONS

Any changes or modifications made to this device that are not expressly approved by PairGain Technologies, Inc. voids the user’s warranty. All wiring external to the products should follow the provisions of the current edition of the National Electrical Code.

STANDARDS COMPLIANCE

The H2TU-C-231 List 1 has been tested and verified to comply with the applicable sections of the following standards:

- GR 63-CORE - Network Equipment-Building System (NEBS) Requirements
- GR 1089-CORE - Electromagnetic Compatibility and Electrical Safety

For technical assistance, refer to “[Appendix D - Product Support](#)” on page 59.

ADC DSL Systems, Inc.

14402 Franklin Avenue
Tustin, CA 92780-7013

Tel: 714.832.9922

Fax: 714.832.9924

Technical Assistance

Tel: 800.638.0031

Tel: 714.730.3222

Fax: 714.730.2400



DOCUMENT: 152-231-100-02 ISSUE 2



1212957

