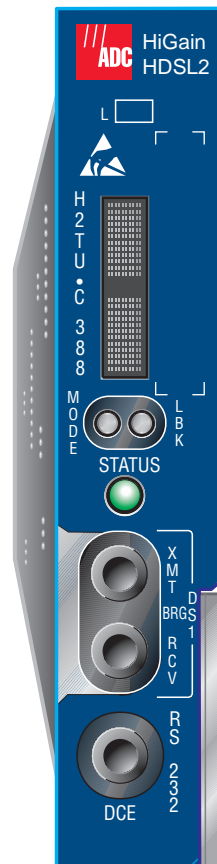


HiGain HDSL2 LINE UNIT

TECHNICAL PRACTICE



H2TU-C-388 List 1F
Part Number: 150-2406-16
CLEI Code: VACHKW8C



Section 152-388-116-01



Revision History of This Practice

Revision	Release Date	Revisions Made
01	October 2, 2000	Initial release.

Copyright

October 02, 2000

© Copyright 2000 ADC DSL Systems, Inc. All rights reserved.

Trademark Information

ADC is a registered trademark of ADC Telecommunications, Inc.

HiGain is a registered trademark of PairGain Technologies, Inc. No right, license, or interest to such trademarks is granted hereunder, and you agree that no such right, license, or interest shall be asserted by you with respect to such trademark.

Other product names mentioned in this practice are used for identification purposes only and may be trademarks or registered trademarks of their respective companies.

Disclaimer of Liability

Information contained in this document is company private to ADC DSL Systems, Inc., and shall not be modified, used, copied, reproduced or disclosed in whole or in part without the written consent of ADC.

Contents herein are current as of the date of publication. ADC reserves the right to change the contents without prior notice. In no event shall ADC be liable for any damages resulting from loss of data, loss of use, or loss of profits, and ADC further disclaims any and all liability for indirect, incidental, special, consequential or other similar damages. This disclaimer of liability applies to all products, publications and services during and after the warranty period.

USING THIS TECHNICAL PRACTICE

The following conventions are used in this manual:

- Monospace type indicates screen text.
- Keys you press are indicated by small icons such as **Y** or **ENTER**. Key combinations to be pressed simultaneously are indicated with a plus sign as follows: **CTRL** + **ESC**.
- Items you select are in **bold**.
- Three types of messages, identified by icons, appear in text.



Notes contain information about special circumstances.



Cautions indicate the possibility of personal injury or equipment damage.



The Electrostatic Discharge (ESD) susceptibility symbol indicates that a device or assembly is susceptible to damage from electrostatic discharge.

For a list of abbreviations used in this document, refer to [“Appendix E - Abbreviations”](#) on page 67.

INSPECTING SHIPMENT

Upon receipt of the equipment:

- Unpack each container and inspect the contents for signs of damage. If the equipment has been damaged in transit, immediately report the extent of damage to the transportation company and to PairGain. Order replacement equipment, if necessary.
- Check the packing list to ensure complete and accurate shipment of each listed item. If the shipment is short or irregular, contact ADC as described in [“Technical Support”](#) on page 65. If you must store the equipment for a prolonged period, store the equipment in its original container.

TABLE OF CONTENTS

Overview	1
Features	1
Compatibility	2
Applications	2
Front Panel	3
Installation	7
Verification	8
Verification without a Downstream Device	8
Verification with a Downstream Device	8
Provisioning	9
Reviewing System Settings.....	9
Accessing the Provisioning Screens	9
Connecting to a Maintenance Terminal.....	9
Logon Screen	10
Provisioning Tasks.....	12
Setting Date and Time	12
Setting Circuit ID Numbers	13
Configuring the System	14
Resetting to Factory Defaults	25
Clearing the History, Alarm, and Event Log Screens	26
Monitoring System Activity and Performance	27
Performance Monitoring from the H2TU-R	27
Using the Monitor Screen to View System Activity.....	29
Using the Performance Screens to View Performance Data.....	31
Performance History at the DS1 Interface.....	31
Blockage Indicator Statistics at the H2TU-R DS1 Interface	35
Performance History at the HDSL2 Interface	36
Using the Performance Screens to View Alarm Data.....	38
Alarm History at the H2TU-C DS1 Interface.....	38
Alarm History at the HDSL2 Interface.....	40
Using the Event Log to Track System Events	41
Origin Tags	42
Event Log Messages	43
Using the Sectionalized Event Log to Isolate Trouble	44

Testing	46
Front-Panel System Alarms.....	46
Alarm Option for Digital Loop Carrier (DLC) Feed	47
Retiring System Alarms	47
Remote LOS and AIS Response	48
OCT55 Test Pattern with AMI Code.....	48
Loopback Operation	49
Generic Loopback Commands	49
Special Loopback Commands	51
Manual Loopback Session.....	52
Setting the Loopback Time-Out Option.....	52
Activating Manual Loopback Mode	52
Loopback Test Procedures	53
General Troubleshooting Tips	53
GNLB Test Procedures	53
A1LB, A2LB, and A5LB Test Procedures	55
A3LB and A4LB Test Procedures	57
Testing with the H2TU-R Signal Generator.....	58
Appendix A - Specifications	59
Power Consumption	60
Maximum Power Dissipation	60
Maximum Current Drain	60
Loop Attenuation.....	61
H2TU-C-388 List 1F Card-edge Connector.....	61
Network Management Control Bus	62
Fuse Alarm.....	62
Craft Port	62
Appendix B - Functional Operation	63
Timing	63
Ground Fault Detect	63
Appendix C - Compatibility	64
Appendix D - Product Support	65
Technical Support.....	65
Returns.....	65
Appendix E - Abbreviations	67
Certification and Warranty	Inside Back Cover

LIST OF FIGURES

1. H2TU-C-388 List 1F Front Panel	3
2. Installing the H2TU-C-388 List 1F into a Shelf	7
3. Logon Screen	10
4. Configuration Menu - Date and Time.....	12
5. Inventory Screen	13
6. Configuration Menu	14
7. Configuration Menu - Standard Options (Defaults Shown)	15
8. Configuration Menu - ADC Options (Defaults Shown)	15
9. Configuration Menu - Reset to Factory Defaults.....	25
10. Configuration Menu - Master Clear.....	26
11. Sectionalized Analysis of the DS1 Interface.....	27
12. Monitor Screen - Active Loopback with Alarms.....	29
13. H2TU-R DS1 31-day Performance History.....	31
14. H2TU-R DS1 48-hour Performance History	32
15. H2TU-C DS1 25-hour Performance History	32
16. H2TU-R DS1 Current Statistics.....	33
17. H2TU-C DS1 Current Statistics.....	33
18. H2TU-R Blockage Indicator History Screen	35
19. H2TU-C HDSL2 31-day Performance History	36
20. H2TU-C HDSL2 48-hour Performance History	36
21. H2TU-C HDSL2 25-hour Performance History	37
22. H2TU-C HDSL2 Current Statistics	37
23. H2TU-C DS1 Alarm History Screen	38
24. H2TU-R DS1 Alarm History Screen	39
25. H2TU-C HDSL2 Alarm History Screen.....	40
26. Event Log Screen.....	41
27. H2TU-R Sectionalized Event Log Screen	44
28. Sectionalized Events	45
29. H2TU-R LOS and AIS Response Priorities.....	48
30. Loopback Summary	49
31. Loopback Modes.....	54
32. H2TU-R Signal Generator Screen	58
33. H2TU-C-388 List 1F Card-edge Connector	61
34. Craft Port 210-to-DB-9 Adapter and Serial Cable Connection to a Maintenance Terminal	62
35. H2TU-C-388 List 1F Block Diagram	63

LIST OF TABLES

- 1. Front-Panel Description 4
- 2. Front-Panel Display Messages 5
- 3. Navigational Keys for the HiGain HDSL2 Maintenance Terminal Screens..... 10
- 4. Logon Screen Menus..... 11
- 5. H2TU-C-388 List 1F Standard Config Screen Options 16
- 6. H2TU-C-388 List 1F ADC Config Screen Options 18
- 7. DS1/DSX-1 24-hour PM Threshold..... 21
- 8. Response to H2TU-R DS1 Frame Conversion Options 22
- 9. Extended SuperFrame Format..... 22
- 10. SuperFrame Format 23
- 11. Monitor Screen Descriptions..... 30
- 12. Error Acronyms Used on the DS1 Performance History Screens 34
- 13. Error Acronyms Used on the HDSL2 Performance History Screens..... 38
- 14. DS1 Alarm Descriptions 39
- 15. HDSL2 Alarm Descriptions 40
- 16. Origin Tags..... 42
- 17. Event Log Messages..... 43
- 18. Sectionalized Event Definitions 45
- 19. Front-Panel System Alarms Summary 46
- 20. Summary of HiGain HDSL2 Loopback Codes and Activation Methods 50
- 21. Addressable Repeater Loopback Commands (A1LB, A2LB, A5LB) 55
- 22. Addressable Repeater Loopback Commands (A3LB and A4LB) 57
- 23. Signal Generator Option Settings..... 58
- 24. H2TU-C Power Parameters..... 60
- 25. HDSL2 Cable Attenuation Chart 61

OVERVIEW

The H2TU-C-388 List 1F line unit is the Central Office (CO) side of a T1 transmission system. The HiGain HDSL2 product family is fully compliant with the HDSL2 standard ANSI T1.418-2000. Providing full-rate T1 access using just a single copper pair, HDSL2 is a cost-effective solution that offers an open architecture. The open architecture inherent in HDSL2 guarantees interoperability allowing simple and economic accommodation of network growth.

HiGain HDSL2 products provide 1.552 Mbps transmission on one unconditioned copper pair over the full Carrier Service Area (CSA) range. The CSA includes loops up to 12,000 feet of 24 AWG wire or 9,000 feet of 26 AWG wire, including bridged taps.

FEATURES

The H2TU-C-388 List 1F line unit is the Central Office (CO) side of a T1 transmission system.

- HDSL2 transmission features
 - Lightning and power cross-protection on HDSL2 interfaces
 - Full duplex HDSL2 transmission on one pair at 1.552 Mbps
 - Ultra-low wander for Stratum 1 transport
 - Grounded loop detection on High bit-rate Digital Subscriber Line 2 (HDSL2)
- Front-panel features
 - Four-character status display
 - DS1 bridging access
 - Status Light Emitting Diode (LED)
 - RS-232 craft port for connection to a maintenance terminal
- HiGain HDSL2 maintenance screens for inventory, provisioning, and troubleshooting
 - DS1 and HDSL2 performance monitoring
 - Alarm histories
 - Performance Report Messaging (PRM) support for Supplemental PRM (SPRM) and Network PRM (NPRM) at the H2TU-R
 - Payload (PL) and HiGain (HG) loopback source identification
 - Margin Alarm (MAL) threshold
 - Dual loopback commands
 - Remote provisioning through TL1 FDL or 11-bit payload commands
- Configuration options
 - Selectable DSX-1 pre-equalizer
 - Bipolar Violation Transparency (BPVT)
 - Bit Error Rate (BER) alarm
 - Power Back Off - Customer (PBOC) and Power Back Off - Network (PBON) options for configuring power output levels
 - Loss of Signal/Alarm Indication Signal (LOS/AIS) payload alarm
 - Selectable loopback activation codes

- Compatible with Double Dual Module Plus (DDM+) high-density shelves
- Network Management and Administration (NMA) interface



DS1 is used throughout this document to refer to either the remote unit's DS1 interface or the line unit's DSX-1 interface.

COMPATIBILITY

The H2TU-C-388 List 1F is designed to mount in DDM+ high density shelves. For a list of compatible shelves see “[Appendix C - Compatibility](#)” on page 64.

APPLICATIONS

HiGain HDSL2 systems provide a cost-effective, easy-to-deploy method for delivering DS1 High Capacity Digital Service (HCDS) over a single copper pair. HiGain HDSL2 systems support a multitude of network connections and system models.

- The service is deployed over one unconditioned, non-loaded copper pair.
- Conventional, inline T1 repeaters are no longer required.
- Cable pair conditioning, pair separation, and bridged tap removal are not required.

In general, HiGain HDSL2 systems:

- Operate effectively in the same cable binder group with other HDSL2 lines, HDSL, DS1, ADSL, SDSL, POTS, DDS, and other transmission schemes.
- Can be used with customers requiring DS1 service on a temporary or permanent basis.
- Provide a means of quickly deploying service in advance of fiber-optic transmission systems.

FRONT PANEL

Figure 1 shows the H2TU-C-388 List 1F front panel. Table 1 on page 4 describes the front-panel components. For pinout diagrams of the H2TU-C card-edge connector and craft port, see Figure 33 on page 61 and Figure 34 on page 62.

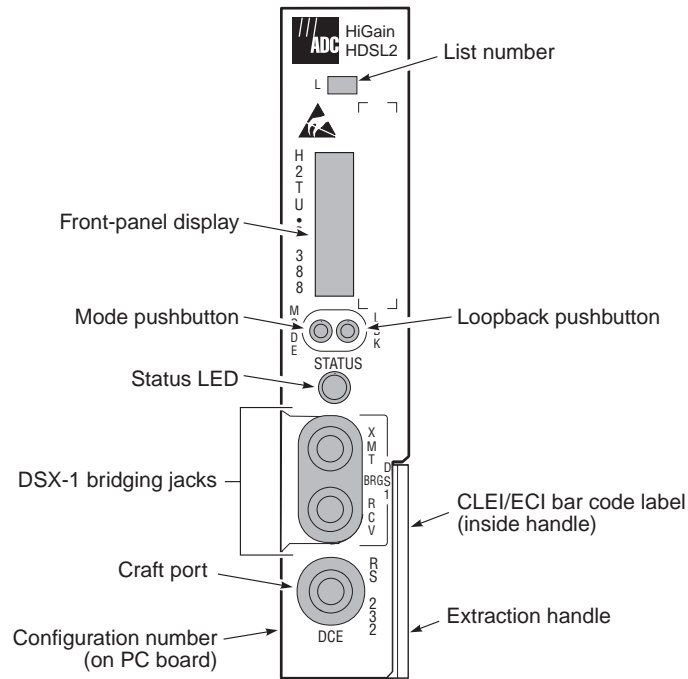


Figure 1. H2TU-C-388 List 1F Front Panel

Table 1. Front-Panel Description

Front-Panel Feature	Function
Front-panel display	Displays four-character status, provisioning, and alarm system messages. The front-panel display illuminates when power is initially applied. To conserve power, the display only remains on for 5 minutes. Using the MODE or LBK buttons reactivates the display and restarts the 5-minute timer. Refer to Table 2 on page 5 for a listing of the four-character messages.
MODE and LBK pushbuttons	Permits user options, system parameters, and line unit identity to be reviewed without the need for a maintenance terminal. A maintenance terminal is required to access provisioning screens and make configuration changes. The MODE and LBK buttons can initiate all loopbacks. (See “Manual Loopback Session” on page 52.)
Status LED	The status LED reports the following conditions:
Off	Line power is off.
Green	Normal operation.
Red	Fuse alarm.
Flashing red	HDSL2 acquisition or system alarm.
Yellow	An H2TU-C Customer Remote Loopback (CREM) or a Network Local Loopback (NLOC) is in effect.
Flashing yellow	H2TU-C is in an Armed (ARM) state.
DSX-1 bridging jacks	Provides non-intrusive bridging (BRG) jack access to (XMT) and from (RCV) the HDSL2 span at the DSX-1 interface. Allows the two DS1 payloads to be monitored.
Craft port (RS-232 DCE connector)	Provides bidirectional communication between the unit and an external terminal to allow configuration and performance monitoring through the maintenance terminal screens.
List number	Identifies the list number of the H2TU-C.
CLEI and ECI bar code label	Provides the human-readable Common Language Equipment Identifier (CLEI) code number and the Equipment Catalog Item (ECI) bar code number.
Extraction handle	Used to raise and lower the H2TU-C front panel when installing and removing the unit.
Configuration number	The configuration number is found on a small label attached to the front panel. It is the last two numbers (following the x) of a 13-character part number. For example: 150-1234-01-x 01 .

Table 2 lists the front-panel display messages. The four-character display reports the code of a pertinent alarm, loopback, or diagnostic message and, in some cases, is followed by a second four-character message that modifies the first message with a value or current configuration setting.

Table 2. Front-Panel Display Messages

Message	Full Name	Description
SYSTEM ALARM MESSAGES		
ACO	Alarm Cutoff	A system alaqrwrq occurred and has been retired to an ACO condition by pressing the LBK pushbutton on the H2TU-C front panel.
ALRM	Alarm Condition Exists	A system alarm condition is in effect.
DBER	DS1 Bit Error Rate	A system DS1 BER alarm is in effect and remains in effect until cleared.
HBER	HDSL2 Block Error Rate	A system HDSL2 Block Error Rate alarm is in effect.
LA	Loop Attenuation	Indicates that the attenuation on the HDSL2 loop has exceeded the maximum threshold value.
LAIS	Local Alarm Indication Signal	Indicates an AIS (all ones) pattern is being transmitted from the local DS1 output port.
LLOS	Local Loss of Signal	Indicates that no signal is detected at the DSX-1 input to the H2TU-C. Causes a system alarm.
LOSW	Loss of Sync Word	Indicates that the HDSL2 loop has lost synchronization.
MAL	Margin Alarm	The margin on HDSL2 loop has dropped below the threshold (0 to 15 dB) as set by the operator.
PWR FEED GND	Power Feed Ground	The HDSL2 loop is grounded.
PWR FEED OPEN	Power Feed Open	Indicates a line power open condition.
PWR FEED SHRT	Power Feed Short	Indicates a short between the Tip and Ring of the HDSL2 pair.
PRMF	Performance Report Messaging - Far End	H2TU-R PRM-FE BER threshold has been exceeded.
PRMN	Performance Report Messaging - Near End	H2TU-R PRM-NE BER threshold has been exceeded.
RAIS	Remote Alarm Indication Signal	Indicates an AIS (all ones) pattern is being received at the H2TU-R DS1 input port.
RLOS	Remote Loss of Signal	Indicates that no signal is detected at the DS1 input to the H2TU-R. Causes a system alarm.
RRAI	Remote RAI—Remote Alarm Indication at the H2TU-R	Indicates an RAI alarm (yellow) from the CPE with errors from the line unit or network.
SPN <i>n</i>	Span Number	Accompanies the LOSW alarm and identifies the span where the LOSW alarm occurred.
TRCI	Transmit RAI-CI—Remote Alarm Indication at the H2TU-R	Upon reception of an RAI (yellow alarm) from the CPE, the H2TU-R sends RAI-CI towards the network if the network signal received at the H2TU-R is clear. If the network signal is impaired (LOS or AIS), then the RAI is passed on to the network unaltered.
TUC	Transmission Unit Central Office	Accompanies the DBER, HBER, MAL, and LA alarm and indicates that the alarm has occurred at the H2TU-C central office unit.
TUR	Transmission Unit Remote End	Accompanies the DBER, HBER, MAL, and LA alarm and indicates that the alarm has occurred at the H2TU-R remote unit.
LOOPBACK MESSAGES		
CLOC	Customer Local Loopback	Signal from customer is looped back to the customer at the H2TU-R.
COLB	Central Office Loopback	Dual loopback at H2TU-C.
CREM	Customer Remote Loopback	Signal from customer is looped back to the customer at H2TU-C-388.
NLOC	Network Local Loopback	DSX-1 signal is looped back to the network at the H2TU-C.
NREM	Network Remote Loopback	DSX-1 signal is looped back to the network at the H2TU-R.
RULB	Remote Unit Loopback	Dual loopback at H2TU-R.
SMJK	Remote SmartJack Loopback	DSX-1 signal is looped back to the network at the H2TU-R SmartJack module.

Continued

Table 2. Front-Panel Display Messages (Cont.)

Message	Full Name	Description
DIAGNOSTIC MESSAGES		
A = xx	Maximum Loop Attenuation	The Attenuation (A) message appears followed by xx, where xx is the loop attenuation of the longest (maximum loss) span measured in dB.
ACQ	Acquisition	The multiplexers of the H2TU-C and H2TU-R are trying to establish synchronization over the HDSL2 loop of Span 1.
AnL	Acquisition n Loop	The multiplexers of the two devices on Span n are trying to establish synchronization with each other, where n is the number of the span.
ARM	HiGain HDSL2 System Armed	Armed to respond to Intelligent Repeater Loop (ILR) codes.
BAD RT?	No Response from H2TU-R	The H2TU-C does not receive any response from the H2TU-R and all HDSL2 loop conditions are normal. Therefore, the integrity of the H2TU-R or the HDSL2 loop is questionable.
DSL2	Digital Subscriber Line 2	Displayed at initial power-up.
FERR	Framing Bit Error Occurred	Framing bit error occurred at H2TU-C DSX-1 input.
FLDL	Flash Download	Flash download of firmware updates. Contact Customer Service for update procedures (see “Appendix D - Product Support” on page 65).
HES	HDSL2 CRC Error	H2TU-C HDSL2 Loop Cyclical Redundancy Check (CRC) error.
LBPV	Local Bipolar Violation	A bipolar violation has been received at the DSX-1 input to the H2TU-C.
M=xx	HDSL2 Loop Margin	Indicates the power of the received HDSL2 signal relative to noise (S/N with respect to 21.5 dB). Any value of 6 dB or greater is adequate for reliable system operation.
MNGD	Managed	The H2TU-C is under control of the H2TU-319 network management unit. In this state, the front-panel craft port and pushbuttons are disabled.
PWR FEED OFF	Power Feed Off	HDSL2 span power has been turned off by setting the PWRF option to off, or HDSL2 span power has been turned off by use of the A1LB, A2LB, and A5LB Intelligent Office Repeater (IOR) Power Down code.
PWR FEED ON	Power Feed On	Indicates that the HDSL2 loop is not grounded or shorted.
SIG	Signaling	The transceivers of the H2TU-C and H2TU-R are trying to establish contact with each other over the HDSL2 loop of Span 1.
SnL	Synchronization n Loop	The transceivers of the two devices on Span n are trying to establish contact with each other, where n is the number of the span.
SYSTEM INFORMATION MESSAGES ^(a)		
CODE xxxx	Line Code: AMI, B8ZS	The line code that H2TU-C-388 is receiving at its DSX-1 interface, if the DS1 option is set to AUTO. Otherwise, it mimics either of the other two DS1 line code settings, Alternate Mark Inversion (AMI) or Bipolar with 8-Zero Substitution (B8ZS).
FRM xxxx	Frame: SF, ESF, UNFR	Defines the type of frame pattern being received from the DSX-1: SuperFrame (SF), Extended SuperFrame (ESF), or Unframed (UNFR).
LATT xx	Loop Attenuation	The current loop attenuation threshold setting is measured in dB.
LIST xx	H2TU-C List Number	The list number of the H2TU-C.
MARG xx	Margin	The current margin threshold setting is measured in dB.
VER x.xx	H2TU-C Software Version Number	The software version number x.xx.
(a) System information messages are displayed in scroll mode. To scroll through the messages, press the MODE pushbutton for 3 or more seconds.		

INSTALLATION



Upon receipt of the equipment, inspect the contents for signs of damage. If the equipment has been damaged in transit, immediately report the extent of damage to the transportation company and to ADC.

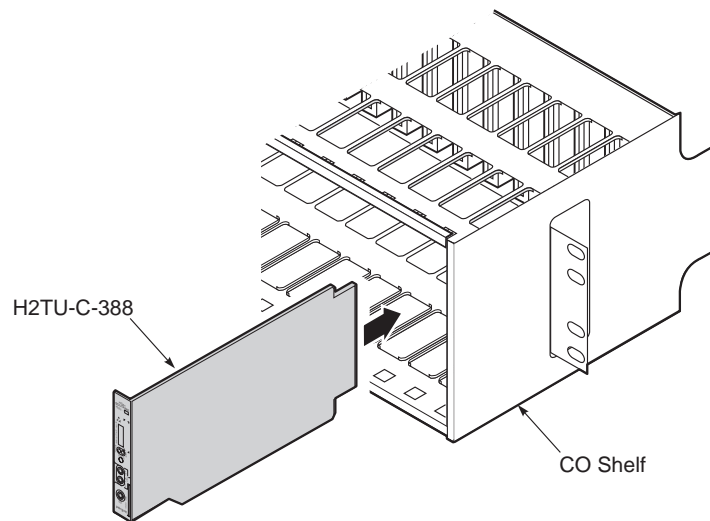


Figure 2. Installing the H2TU-C-388 List 1F into a Shelf



When installing an H2TU-C in a chassis, be sure to wear an antistatic wrist strap. Avoid touching components on the circuit board.



To comply with the intrabuilding wiring requirements of GR-1089 CORE, Section 4.5.9, the shields of the ABAM-type cables that connect the H2TU-C-388 List 1F DSX-1 output ports to the cross-connect panel must be grounded at both ends.

- 1 Lift up the H2TU-C front panel from its bottom edge and align the unit with the enclosure slot guides. Slide the unit in until it touches the backplane card-edge connector.
- 2 Push down on the H2TU-C front panel to insert the unit in the card-edge connector. The unit is properly installed and secure within the enclosure when the front panel is pushed all the way down.

VERIFICATION

Once the H2TU-C is installed, verify that it is operating properly. To do this, monitor the following:

- Status LED
- Messages reported by the front-panel display ([Table 2 on page 5](#)).



See the Help menu Turn-up Aid screens for more information on turning up the HiGain HDSL2 system.

Verification without a Downstream Device

If there is no downstream device installed:

- 1 Verify that the H2TU-C powers up. The front-panel display illuminates and reports status messages. (See [Table 2 on page 5](#) for a list of messages.)
- 2 Verify that the H2TU-C attempts to communicate with downstream devices (status LED flashes red). Even if a downstream device is not present, the following events should occur:
 - a The front-panel display reports various four-character status messages.
 - b The H2TU-C again attempts communication until a downstream device is detected.

Verification with a Downstream Device

If a downstream device has been installed:

- 1 Verify that the H2TU-C powers up. (The front-panel display illuminates and reports various status messages.)
- 2 Verify that the H2TU-C attempts to communicate with downstream devices (status LED flashes red). One of the following occurs:
 - If downstream devices are successfully identified and the HDSL2 loop synchronizes, the H2TU-C status LED lights a steady green. The H2TU-C reports normal margin messages on the front-panel display.
 - If downstream devices are not successfully identified, the H2TU-C reports four-character status messages. The H2TU-C attempts communication again and reports four-character status messages. The H2TU-C repeats this cycle until a downstream device is detected.
- 3 If there is more than one span, verify that each subsequent span synchronizes normally by monitoring the front-panel display messages.
- 4 If a remote unit is installed, verify that the last span synchronizes normally. The H2TU-C status LED should light a steady green and the front-panel display should report normal margin messages.
- 5 Verify that a valid DS1 signal has been applied to the H2TU-C and the H2TU-R.
 - If no DS1 signal is being applied to either the H2TU-C or the H2TU-R inputs, then the appropriate DS1 alarms (LLOS or RLOS) display on the front panel and the status LED flashes red.
 - If a valid DS1 signal is being supplied to the H2TU-C and H2TU-R, then DS1 alarm indications should be absent, and the status LED lights a steady green.

PROVISIONING

To provision the H2TU-C, access the provisioning screens through a maintenance terminal.

REVIEWING SYSTEM SETTINGS

To scroll through the current settings of all system parameters, press the MODE pushbutton for 3 or more seconds. The H2TU-C List 1F displays the following parameters:

- Software version number
- List number
- Type of frame pattern received from the DSX-1
- Line code of the signal received from the DSX-1
- All user-configured parameter settings
- Loop attenuation threshold setting
- Margin alarm threshold setting

ACCESSING THE PROVISIONING SCREENS

Connecting to a Maintenance Terminal

The craft port on the front panel allows you to connect the H2TU-C-388 to a maintenance terminal (ASCII terminal or PC running a terminal emulation program). Once connected to a maintenance terminal, you can access the maintenance, provisioning, and performance screens.

To connect to a maintenance terminal:

- 1 Insert the furnished 210-to-DB9 connector adapter into the craft-port jack on the H2TU-C-388 front panel (Figure 1 on page 3).
- 2 Connect a standard 9-pin serial cable to the DB9 adapter.
- 3 Connect the other end of the cable to the serial port on the maintenance terminal.
- 4 Start a terminal emulation program such as ProComm (emulating a VT100 terminal).
- 5 Configure the maintenance terminal to the following communication settings:
 - 9600 baud
 - No parity
 - 8 data bits
 - 1 stop bit
 - Hardware flow control to OFF
- 6 If necessary, press **CTRL** + **R** to refresh the HiGain HDSL2 logon screen.

Logon Screen

The HiGain HDSL2 maintenance terminal screens allow you to monitor, provision, and troubleshoot an HDSL2 system.

To select a menu from the HiGain HDSL2 logon screen (Figure 3 on page 10), do one of the following:

- Type the first letter of the menu.
- Use the **←** **→** arrow keys to select the menu and then press **ENTER**.

Table 3 summarizes the navigational keys. They are also listed in the onscreen Help menu. Table 4 on page 11 describes the Logon screen menus.

Table 3. Navigational Keys for the HiGain HDSL2 Maintenance Terminal Screens

Key (a)	Function
SPACEBAR	Cycle through selections.
ENTER	Activate the current setting or choice, or display a menu.
ESC or F11 (VT100 only)	Return to the parent menu.
↑ or CTRL + E	Select the submenu or item above the current one, or return to the previous menu.
↓ or CTRL + X	Select the submenu or item below the current one.
→ or CTRL + D	Select the menu or item to the right of the current one.
← or CTRL + S	Select the menu or item to the left of the current one, or return to the previous menu.
CTRL + R	Refresh the screen.

(a) Legacy management units require use of control keys instead of arrow keys.



Most VT100 emulation programs support a print screen option. For Windows-based programs, such as Procomm or HyperTerminal, refer to the Help menu for instructions.

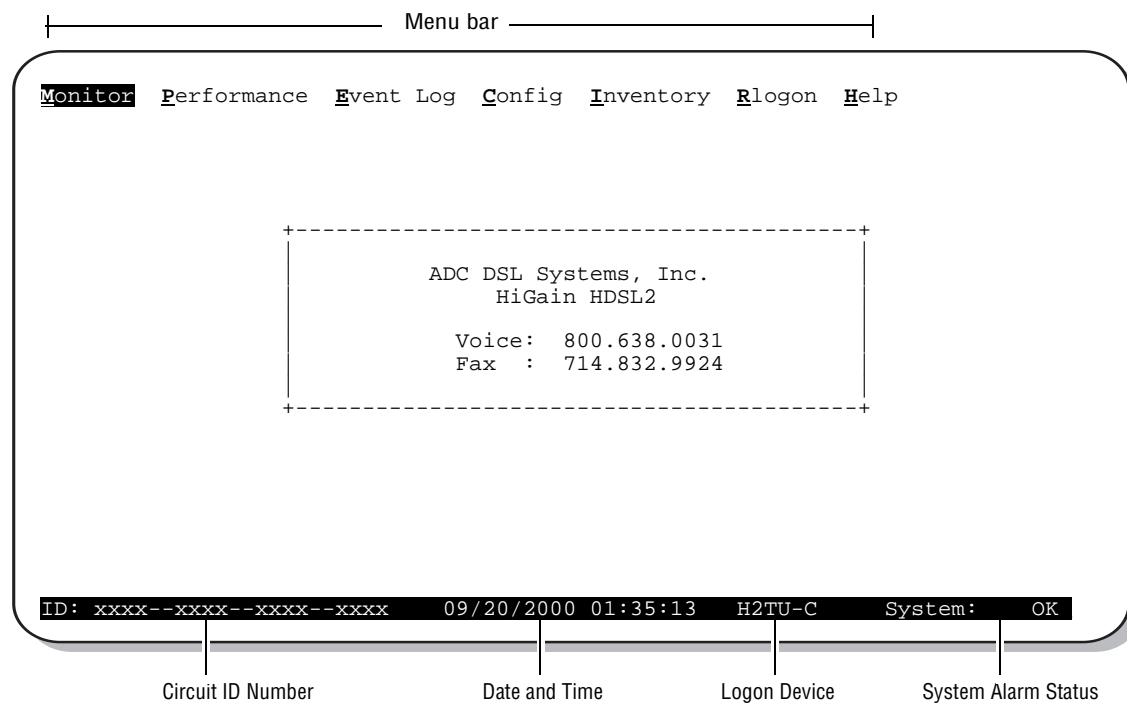


Figure 3. Logon Screen

Table 4. Logon Screen Menus

Press this key:	To access this menu:	Menu Functions
M	Monitor	Monitors loopbacks and alarms, provides a graphical representation of circuit activity, including ES, UAS, SES, and line code.
P	Performance	Provides performance and alarm histories for current, 25-hour, 48-hour, or 31-day periods for either the DS1 or HDSL2 interface. Selecting this menu after a remote logon permits viewing of the H2TU-R Blockage Indicator (BI) History screen (see Figure 18 on page 35), as displayed from the DS1 interface (see Figure 11 on page 27).
E	Event Log	Identifies the 100 most recent system events and reports the date and time of occurrence. Selecting this menu after a remote logon displays the Sectionalized Event Log for the H2TU-R (see Figure 27 on page 44).
C	Config	Provides standard configuration options, ADC options, date and time setting, and a reset option (factory settings). Also provides a master clear option that clears all performance, alarm, and event log entries. Selecting the Config menu after a remote logon will display the Signal Generator menu item, which gives access to the Signal Generator configuration submenu (see Figure 32 on page 58).
I	Inventory	Provides product information about the various devices that are in the system and lists circuit and device identifications.
R	Rlogon / Rlogout	<p>Remote logon can be performed from the H2TU-C or H2TU-R. The screen displays “Rlogout” when the H2TU-C or H2TU-R is remotely logged on to the other unit at the end of the circuit.</p> <p>Remote logon from the H2TU-C will permit viewing of the H2TU-R Blockage Indicator History screen, Sectionalized Event Log screen, and Signal Generator configuration submenu.</p> <p>To log off the remote unit, press R. “Rlogout” changes to “Rlogon.” The unit is now locally logged on until R is pressed again to reinitiate the remote logon.</p>
H	Help	Provides glossary of terms used in the HiGain HDSL2 maintenance screens, a list of navigational keys, aids for turn-up and printing, and ADC contact information.

PROVISIONING TASKS

After a successful installation, complete the following tasks:

- 1 Set the date and time (see “Setting Date and Time” below).
- 2 Set the circuit ID number (see “Setting Circuit ID Numbers” on page 13).
- 3 Make any desired changes to configuration (see “Configuring the System” on page 14).
- 4 Clear the Performance and Alarm history screens and Event Log to remove miscellaneous data acquired during startup (see “Testing” on page 46).

Setting Date and Time

```

Monitor Performance Event Log Config Inventory Rlogon Help
+-----+
| Standard Options -> |
| ADC Options -> |
| Date and Time -> |
+-----+
| Date (mm/dd/yyyy): 09/20/2000 |
| Time (hh:mm[:ss]): 01:36:01 |
+-----+

ID: xxxxx--xxxx--xxxx--xxxx 09/20/2000 01:36:01 H2TU-C System: OK

```

Figure 4. Configuration Menu - Date and Time

- 1 Press **C** to select the Config menu.
- 2 Select **Date and Time**, then press **ENTER**.
- 3 Enter the date in the format indicated, then press **ENTER**.
- 4 Enter the time in the format indicated (entering seconds is optional), then press **ENTER**.

Setting Circuit ID Numbers

The Inventory screen provides product information on all units in the system and allows the setting of the circuit and unit identification numbers.

```

Monitor  Performance  Event Log  Config  Inventory  Rlogon  Help
-----
                        Product Information  -----
Unit       : H2TU-C           H2TU-R
Product    : H2TU-C-388      H2TU-R-402
List       : 1F              4
Sw Ver.    : 2.12            2.12
Build #    : 15              15
Checksum   : 0x978A          0x978A
H2 Xcvr    : L1-RA2 v1.33    L1-RA2 v1.33
Serial #   : 01232456789     0123456789
CLEI      : VACHKW8CAA       VARHJUUCAA
Mfg. Date : 09/03/2000      09/03/2000

-----
                        Circuit and Unit Identifications  -----
Circuit ID: xxxx--xxxx--xxxx--xxxx
H2TU-R ID : yyyy--yyyy--yyyy--yyyy
Circuit Notes: (This field is 50 characters long)

ID: xxx--xxx--xxx--xxx    09/20/2000 01:36:38  H2TU-C  System:  OK

```

Figure 5. Inventory Screen

- 1 Press **I** to select the Inventory screen.
- 2 Type the Circuit ID number, then press **ENTER**.
- 3 Type the ID numbers of all other devices listed in the system, pressing **ENTER** after each entry.

Configuring the System

The Config menu (Figure 6) allows you to make the following types of system configuration changes:

- Standard options (Figure 7 on page 15)
- ADC options (Figure 8 on page 15)
- Date and time (see “Setting Date and Time” on page 12)
- Master clear (see “Clearing the History, Alarm, and Event Log Screens” on page 26)
- Reset to factory default configuration (Figure 9 on page 25)

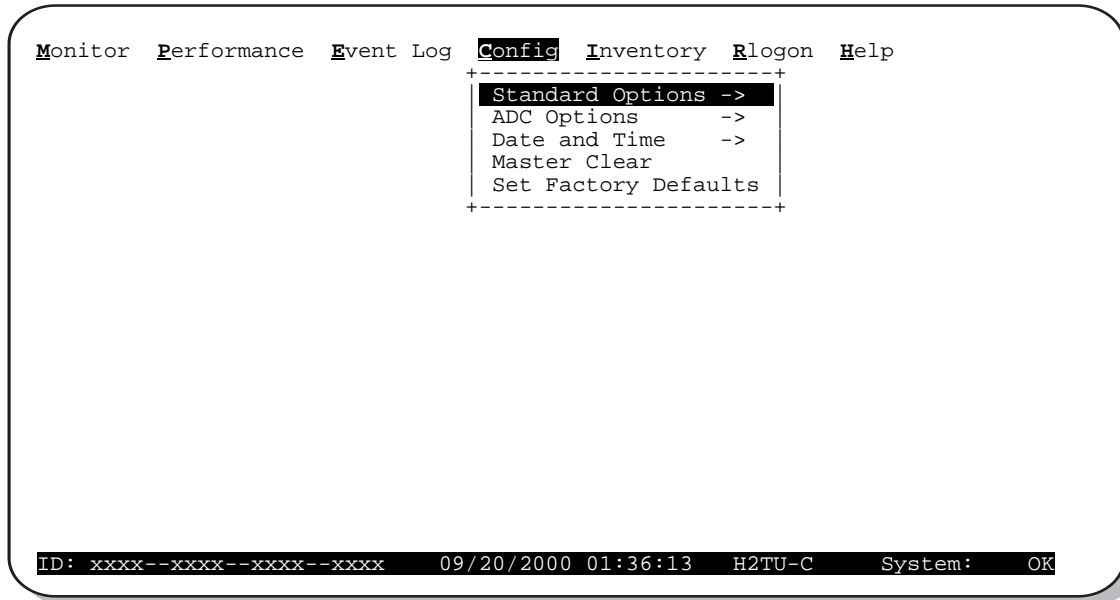


Figure 6. Configuration Menu



Most of the H2TU-C configuration options can also be set from a network test center through TL1 commands embedded in the FDL ESF framed payload (non-intrusive) or in the payload itself with 11-bit commands (intrusive).

To obtain additional information about remote provisioning commands, contact customer service (see “Technical Support” on page 65).

Making Changes to Standard and ADC Options

Figure 7 and Figure 8 on page 15 show the Standard and ADC configuration options. Standard options are those that are supported by HiGain HDSL2 units when connected to units from other vendors. ADC options are an extended set of options available only when using HiGain units exclusively. For a description of each option and a list of possible option settings, refer to Table 5 on page 16 and Table 6 on page 18. To make changes to these options:

- 1 Press **C** to select the Config menu.
- 2 Use the **↑** and **↓** arrow keys to select **Standard Options** or **ADC Options**, and press **ENTER**.
- 3 Use the arrow keys to select an option.
- 4 Press the **SPACEBAR** to cycle through the available settings for that option.
- 5 Press **ENTER** to activate your choice.

```

Monitor Performance Event Log Config Inventory Rlogon Help
      +-----+
      | Standard Options -> |
      +-----+
      | Loopback Timeout (LBTO)                : 60 min
      | Loop Attenuation Threshold (LATT) [0-40]: 38 dB
      | Margin Threshold (MARG)                [0-20]: 4 dB
      | DS1 Frame Formatting (FRMG)           : UNFR
      | DS1 Line coding (DS1)                 : B8ZS
      | H2TU-C Equalization (EQL)             : 0 ft
      | H2TU-R Line Buildout (RLBO)          : 0.0 dB
      | Alarm Pattern (ALMP)                  : AIS
      | H2TU-R TLOS Loopback (TLOS)          : DIS
      | Network Loopback Pattern (NLBP)      : AIS
      | Power Back Off Network (PBON)        : DEF
      | Power Back Off Customer (PBOC)      : DEF
      +-----+

Use <Spacebar> to cycle through option settings and <Enter> to activate.
ID: xxxx--xxxx--xxxx--xxxx 09/20/2000 01:36:13 H2TU-C System: OK

```

Figure 7. Configuration Menu - Standard Options (Defaults Shown)

```

Monitor Performance Event Log Config Inventory Rlogon Help
      +-----+
      | Standard Options -> |
      | ADC Options -> |
      +-----+
      | Line Power Feed (PWRF)                 : ON
      | Bipolar Violation Transparency (BPVT)  : DIS
      | DS1 BER (DBER)                        : DIS
      | HDSL2 BER Threshold (HBER)            : NONE
      | Special Loopback Mode (SPLB)         : GNLB
      | SmartJack Loopback (LPBK)            : ENA
      | Minor Alarm (ALM)                    : DIS
      | Remote Disconnect Alarm (RDA)        : ENA
      | Network AIS Signal (NAIS)            : AIS
      | Performance Report Messaging (PRM)   : AUTO
      | RAI to RAI-CI toward NET (RACI)     : DIS
      | ESF-RAI to SF-RAI Overwrite (ROVR)  : DIS
      | H2TU-R DS1 Frame Conversion (CONV)   : ACON
      +-----+

Use <Space> to cycle through settings and <Enter> to activate.
ID: xxxx--xxxx--xxxx--xxxx 09/20/2000 01:36:13 H2TU-C System: OK

```

Figure 8. Configuration Menu - ADC Options (Defaults Shown)

Table 5 describes the Standard Config screen options and Table 6 on page 18 describes the ADC Config screen options. Selections in bold typeface are the factory default settings.

Table 5. H2TU-C-388 List 1F Standard Config Screen Options

Standard Config Screen Options	Front-Panel Display Code	Selection	Description
Loopback Timeout	LBTO	NONE	Disables automatic time-out cancellation of all loopbacks.
		20 min	Sets automatic cancellation of all loopbacks to 20 minutes after initiation.
		60 min	Sets automatic cancellation of all loopbacks to 60 minutes after initiation.
		120 min	Sets automatic cancellation of all loopbacks to 120 minutes after initiation.
		8 hr	Sets automatic cancellation of all loopbacks to 8 hours after initiation.
		24 hr	Sets automatic cancellation of all loopbacks to 24 hours after initiation.
Loop Attenuation Threshold	LATT	0 through 40 dB	Determines the maximum loop attenuation before an alarm is declared. Zero disables the alarm. The loop attenuation threshold can only be set through the HDSL2 maintenance screens.
		38 dB	Default value.
Margin Threshold	MARG	0 to 15 dB	Determines the minimum allowable margin below which a system alarm can occur. Zero disables the alarm. The Margin (Alarm) Threshold can only be set through the HiGain HDSL2 maintenance screens.
		4dB	Default value.
DS1 Frame Formatting	FRMG	AUTO	Configures the HiGain HDSL2 system to operate in an auto-framing (AUTO) mode in which it continuously searches the input DS1 bit stream for a valid SF or ESF frame pattern. Both line and path performance parameters are maintained.
		UNFR	Configures the HiGain HDSL2 system to operate in an unframed mode. This mode disables the auto framing process and forces the system to function as a transparent bit pipe. Only line parameters are considered when monitoring DS1 performance.
DS1 Line Coding See "DS1 Line Code Option" on page 20.	DS1	B8ZS	Places both the H2TU-C and H2TU-R into their B8ZS modes.
		AMI	Places both the H2TU-C and H2TU-R into their AMI modes.
H2TU-C Equalization See "Equalization (EQL) Option." on page 20.	EQL	0	Sets the Equalizer to DSX-1 for 0 to 132 feet.
		133	Sets the Equalizer to DSX-1 for 133 to 265 feet.
		266	Sets the Equalizer to DSX-1 for 266 to 398 feet.
		399	Sets the Equalizer to DSX-1 for 399 to 532 feet.
		533	Sets the Equalizer to DSX-1 for 533 to 655 feet.
H2TU-R Line Buildout	RLBO		Sets the DS1 receive level output toward the Customer Interface ((CI). H2TU-R Line Buildout can only be set through the HDSL2 maintenance screens.
		0 dB	Sets the DS1 RLBO level toward the CI to 0 dB.
		-7.5 dB	Sets the DS1 RLBO level toward the CI to - 7.5 dB.
		-15.0 dB	Sets the DS1 RLBO level toward the CI to - 15.0 dB.
Alarm Pattern See "Alarm Pattern (ALMP) Option" on page 20.	ALMP	AIS	Enables the HiGain HDSL2 system to output an AIS payload at its DS1 ports for LOSW and DS1 LOS. For priority resolution, see Figure 29 on page 48.
		LOS	Enables the HiGain HDSL2 system to output an LOS condition at its DS1 ports for LOSW and DS1 LOS.

Table 5. H2TU-C-388 List 1F Standard Config Screen Options (Cont.)

Standard Config Screen Options	Front-Panel Display Code	Selection	Description
H2TU-R TLOS Loopback	TLOS	ENA	Enables a logic loopback at the H2TU-R when an LOS occurs at its DS1 input, if enabled at the H2TU-R. For priority resolution, see Figure 29 on page 48 .
		DIS	Disables Transmit Loss of Signal ((TLOS) logic loopback.
Network Loopback Pattern	NLBP	AIS	Enables the H2TU-R to transmit an AIS towards CI for any network loopback. For priority resolution, see Figure 29 on page 48 .
		LOS	Enables the H2TU-R to transmit an LOS towards CI for any network loopback.
Power Back Off - Customer See "Power Back Off (PBON and PBOC) Option" on page 23 .	PBOC	DEF	Configures the power output levels of the H2TU-R customer unit towards the network to comply with the Default template as defined in Section 6.1.4.2 of ANSIT1.E1.4.
		ENH	Configures the power output levels of the H2TU-R customer unit towards the network to comply with the Enhanced template as defined in Section 6.1.4.2 of ANSIT1.E1.4.
Power Back Off - Network See "Power Back Off (PBON and PBOC) Option" on page 23 .	PBON	DEF	Configures the power output levels of the H2TU-C network unit towards the customer to comply with the Default template as defined in Section 7.5 of ANSIT1.E1.4.
		ENH	Configures the power output levels of the H2TU-C network unit towards the customer to comply with the Enhanced template as defined in Section 7.5 of ANSIT1.E1.4.

Table 6. H2TU-C-388 List 1F ADC Config Screen Options

ADC Config Screen Options	Front-panel Display Code	Selection	Description
Line Power Feed	PWRF	OFF	Disables powering to the HDSL2 pair.
		ON	Keeps the HDSL2 line voltage at nominal -185 Vdc.
Bipolar Violation Transparency See "Bipolar Violation Transparency (BPVT) Option" on page 20.	BPVT	ENA	Enables HDSL2 CRC and BPV errors at the DS1 input to be converted into DS1 BPVs at the DS1 output at the distant end. This makes HiGain HDSL2 transparent to BPVs.
		DIS	Disables BPV Transparency.
DS1 BER See "DS1 BER (DBER) Option" on page 21.	DBER	ENA	Enables the fixed 24-hour DS1 BER threshold (10^{-6}).
		DIS	Prevents the generation of a system alarm due to DS1 BER.
HDSL2 BER Threshold See "HDSL2 BER Threshold (HBER) Option" on page 20.	HBER	1E-6	Front-panel alarm is displayed and the Status LED flashes red when the Block Error Rate (BER) threshold exceeds 10^{-6} . (Block Error Rate is based on the definition of Bit Error Rate.)
		1E-7	Front-panel alarm is displayed and the Status LED flashes red when the BER threshold exceeds 10^{-7} .
		NONE	Prevents generation of an alarm due to BER.
Special Loopback Mode	SPLB	GNLB	Configures the HiGain HDSL2 system to respond to the generic inband loopback codes.
		A1LB and A2LB	Configures the HiGain HDSL2 system to respond to the inband loopback codes of the Teltrend addressable repeater.
		A3LB	Configures the HiGain HDSL2 system to respond to the inband loopback codes of the Wescom addressable repeater.
		A4LB	Configures the HiGain HDSL2 system to respond to the inband loopback codes of the Wescom Mod 1 addressable repeater.
		A5LB	Configures the HiGain system to respond to the inband loopback codes of the Teltrend Mod 1 addressable repeater.
SmartJack Loopback	LPBK	ENA	Enables the HiGain HDSL2 system to recognize all inband SmartJack (SMJK) loopback commands.
		DIS	Configures the HiGain HDSL2 system to ignore all inband SmartJack loopback commands.
Remote Disconnect Alarm	RDA	ENA	Enables a remote DS1 LOS condition at the input to the H2TU-R to generate an LOS alarm. AIS or LOS (depending on ALMP) is sent towards the network.
		DIS	Prevents a remote DS1 LOS condition at the input to the H2TU-R from causing an LOS alarm. The alarm relay contacts do not close and LOS is sent towards the network from the H2TU-C instead of AIS.
Network AIS Signal	NAIS	CI	If ALMP is set to AIS, this option specifies which pattern is sent to the network when a remote LOS or AIS occurs. When configured for CI, an AIS-CI pattern is sent to the network. For priority resolution, see Figure 29 on page 48 .
		AIS	When configured for AIS, an AIS pattern is sent to the network.
Performance Report Messaging	PRM	SPRM	The H2TU-R generates SPRM if no PRM is present from the CPE. If the CPE is sending PRM, the PRM is converted to an SPRM. TL1 commands and responses are enabled.
		NPRM	The H2TU-R generates Network PRM (NPRM) if no PRM is present from the CPE. If the CPE is sending PRMs, NPRM is generated in addition to the existing PRM every second. TL1 commands and responses are enabled.
		AUTO	The H2TU-R generates both SRPMs and NPRMs whenever possible.
		OFF	ESF Datalink (DL) is completely transparent. No PRMs are generated. There are no TL1 responses unless the system is first armed by a TL1 command, which enables Performance Monitoring.

Table 6. H2TU-C-388 List 1F ADC Config Screen Options (Cont.)

ADC Config Screen Options	Front-panel Display Code	Selection	Description
RAI to RAI-CI toward NET See "RAI to RAI-CI toward NET" on page 24.	RACI	ENA	Allows a DS1 RAI (yellow alarm) signal received by the H2TU-R to be converted to an RAI-CI signal towards the network.
		DIS	Prevents conversion of the DS1 RAI to an RAI-CI signal.
ESF-RAI to SF-RAI Overwrite See "ESF-RAI to SF-RAI Overwrite (ROVR) Option" on page 23.	ROVR	ENA	If the CONV option is set to FCON or ACON, an ESF DS1 payload from the network with an embedded RAI pattern is converted to an SF-RAI pattern towards the CI at the H2TU-R.
		DIS	Prevents conversion to an SF-RAI pattern.
H2TU-R DS1 Frame Conversion See "H2TU-R DS1 Frame Conversion (CONV) Option" on page 21.	CONV	OFF	Framing functionally determined by the framing option. Frame format conversion is inhibited at the H2TU-R.
		ACON	Auto (ACON) detection of framing and potential frame conversion at the remote.
		FCON	Auto detection of framing and forced frame format conversion (FCON) at the H2TU-R.

HDSL2 BER Threshold (HBER) Option. The HBER threshold option permits the monitoring of loop integrity and reporting of alarms when excessive errors are detected. The PM primitive used for this purpose is the CRC checksum performed on the HDSL2 frame for both directions of transmission. It is, therefore, called a block error rate rather than the bit error rate associated with the DS1 interface. The CRC errors and counts are displayed on the Monitor screen for both the H2TU-C and H2TU-R. The HBER option allows an alarm to be generated if the total number of CRCs at either the H2TU-C or H2TU-R exceeds the selected BER threshold during the last 1-minute interval.

- HBER option = 1E-6. Alarm is generated if CRC > 93
- HBER option = 1E-7. Alarm is generated if CRC > 9

Once initiated, the HBER count clears when the CRC count drops below the selected threshold. Selecting NONE inhibits this alarm.

DS1 Line Code Option. The DS1 line code option should always be set to conform to the type of DS1 service (AMI or B8ZS) being provided by the HiGain system.

Equalization (EQL) Option. Equalization is the configuration of system transmission characteristics within specified limits. An adaptive equalizer inserts a frequency-shaped loss that corresponds to an equivalent addition of an appropriate cable length. By simulating the additional cable loss necessary for correct operation, the equalizer compensates for a range of variation in transmission path characteristics.

Alarm Pattern (ALMP) Option. To improve HiGain HDSL2 compatibility with the switch-to-protect features used in Digital Loop Carrier (DLC) feeder applications, the H2TU-C-388 has an Alarm Pattern (ALMP) option that allows you to select either an AIS or DS1 LOS output payload for the following alarms:

- LOSW on any loop
- LOS DS1

Bipolar Violation Transparency (BPVT) Option. The H2TU-C-388 improves compatibility with Digital Loop Carrier (DLC) feeder applications because of its ability to transmit DS1 BPV occurrences between its DS1 interfaces. This feature is required to support protection switching in DLC applications. Each DLC terminal must be able to monitor the integrity of its Receive DS1 payload and then switch to the protect line when the integrity of the path drops below specific user selected limits. An essential requirement of this feature is the need for each DLC terminal to detect BPVs in its DS1 input. Standard HDSL systems correct DS1 BPVs at the input and therefore prevent them from being detected by the DLC terminals to which they are connected. The H2TU-C and its associated remote units remove this limitation and become BPV transparent by detecting and counting input BPVs at each end and then by replicating them at the DS1 output port of the distant end.

The BPV count is converted into BPVs at the distant end during the following second at a rate of 1 BPV every 128 DS1 bits up to a maximum of 12000 ($BER=7.7 \times 10^{-3}$). This maximum rate is more than adequate since it exceeds the maximum 10^{-3} BER required by most DLC systems.

DS1 BER (DBER) Option. The DS1 BER alarm occurs when any of the DS1 or DSX-1 performance monitoring parameters listed in [Table 7](#) exceed the counts shown for the 24-hour period between 12:00:00 AM through 11:59:59 PM. These thresholds correspond to a 10^{-6} BER. All PM counters clear to zero at 12:00:00 AM or when Master Clear is selected.

Table 7. DS1/DSX-1 24-hour PM Threshold

Parameter	Threshold Count
CV-L (BPV)	133,400
CV-P (CRC)	132,960
ES-L, ES-P, PRM-NE, PRM-FE	648
SES-L, SES-P	100
UAS-P, UAS-L	10

H2TU-R DS1 Frame Conversion (CONV) Option. Frame format conversion is only applicable to the remote H2TU-R, but selectable by the H2TU-C or H2TU-R. This option enables the network to be ESF, which is used to embed SPRM or NPRM into the datalink towards the network. During conversion, frame bit errors are regenerated to ensure transparency.

The HDSL2 system attempts to find ESF or SF framing or determines that no framing exists. The DS1 framing is then synchronized with the HDSL2 frame. If the framing is lost, the system generates an Out-of-Frame (OOF) defect which results in UAS-P. As a result, the system reverts to frame search mode.

This option has the following settings:

- **OFF**—No frame conversion takes place. All framing issues are determined by the FRMG option settings of AUTO and UNFR.
- **ACON**—This is the automatic conversion setting. If the system detects ESF from the network and SF from the CPE, it automatically converts the CPE SF to ESF towards the network as well as the network ESF to SF towards the CPE.

Upon power-on-reset, after loopdown, or after changing the frame conversion option, the framing needs to be re-established before a complete conversion takes place. If there is a failure condition (LOS or AIS) during steady state, the previous conversion state is maintained to ensure continuity when the system returns from the failure condition.

If SF is received from the network, the H2TU-R forces an ESF towards the network for about 1.5 seconds. This signals to the far end PM-NIU at the network boundary that frame conversion is requested. If the far end PM-NIU is capable of conversion, it changes the framing to ESF. If not, then the H2TU-R reverts to SF and does not apply any conversion.

If an ESF is received from the CPE, it is passed on to the network, and the network's inbound framing is passed on to the CPE.

- **FCON**—This is the forced conversion setting. [Table 8](#) lists the HiGain HDSL2 responses to both the ACON and FCON settings for the CONV option. The responses are identical, except in cases 3 and 4. In these cases, the FCON reply is attempting to force the network (or the far end PM-NIU) to send ESF. It also alerts the CPE with an AIS alarm pattern while forcing the ESF to the network. Continuity is maintained as for ACON. [Table 9 on page 22](#) and [Table 10 on page 23](#) list the ESF and SF frame formats, respectively.

Table 8. Response to H2TU-R DS1 Frame Conversion Options

Case Number	NET Transmit	CPE Transmit	ACON Option	FCON Option
			NET > CPE NET < CPE	NET > CPE NET < CPE
1	ESF	SF	ESF → SF ESF ← SF	ESF → SF ESF ← SF
2	ESF	ESF	ESF → ESF ESF ← ESF	ESF → ESF ESF ← ESF
3	SF	ESF	SF → SF ESF ← ESF	SF → AIS ESF ← ESF
4	SF	SF	SF → SF SF ← SF	SF → AIS ESF ← SF

Table 9. Extended SuperFrame Format

ESF Number	Frame Bits		
	Framing Pattern Sequence (FPS) - 2 kb/s	Frame Bit for Datalink (FDL) - 4 kb/s	Cyclical Redundancy Check (CRC) Bits - 2 kb/s
1		m	
2			C1
3		m	
4	0		
5		m	
6			C2
7		m	
8	0		
9		m	
10			C3
11		m	
12	1		
13		m	
14			C4
15		m	
16	0		
17		m	
18			C5
19		m	
20	1		
21		m	
22			C6
23		m	
24	1		

Table 10. SuperFrame Format

SF Number	Frame Bits	
	Terminal Framing Bit	SuperFrame Signaling Bit
1	1	
2		0
3	0	
4		0
5	1	
6		1
7	0	
8		1
9	1	
10		1
11	0	
12		0

ESF-RAI to SF-RAI Overwrite (ROVR) Option. If the ESF RAI to SF RAI Overwrite (ROVR) option is enabled, it allows a network ESF RAI or ESF RAI-CI pattern to be converted into a CPE SF RAI or SF RAI-CI pattern, and overwrites bit 2 of every DS0 channel with a zero.

If the ROVR option is disabled, it prevents conversion of a network ESF payload with an embedded RAI pattern. Disabling the ROVR option preserves the integrity of the CPE payload as it was originally transmitted.

Power Back Off (PBON and PBOC) Option. Power Back Of Network (PBON) and Power Back Off Customer (PBOC) allow the HDSL circuit to support two transmit power templates: default (DEF/higher level) and enhanced (ENH/lower level). These are defined in Section 6.1.4.2 of the ANSI T1E1.4 HDSL2 standard. Each HDSL2 receiver detects the level it is receiving during the start-up, pre-activation sequence. It then compares this level to the level it should be receiving according to the PBON and PBOC option settings (DEF or ENH). If the received level is outside the template limits, the receiver sends a message to the upstream HDSL2 transmitter requesting the proper level. These levels are adjusted only during the start-up routine or if the PBON or PBOC option settings are changed during normal operation. Since the ENH template levels are up to 15 dBm below those of the DEF template, the ENH setting can be used to reduce crosstalk levels into adjacent circuits. (For example, if crosstalk noise is being induced by the H2TU-R, set the PBO C option to its lower (ENH) level setting. Conversely, if the HDSL2 signal at the H2TU-R is being affected by crosstalk noise induced from adjacent pairs, set the PBOC option to its higher (DEF) level setting.



Changing these Power Back Off option settings on a live circuit causes the HDSL2 loop to momentarily drop and then reacquire synchronization. This setting can also affect the operating margins.

AIS-CI (Alarm Indication Signal-Customer Installation). The H2TU-C-388 List 1F in conjunction with the H2TU-R-402 List 4 supports the AIS-CI function. AIS-CI is a variant of AIS which is transmitted toward the network when either an AIS defect or an LOS defect has been detected in the signal received from the CI at the H2TU-R unit. AIS-CI is a regular AIS signal modulated by an AIS signature.

The AIS-CI signal is a repetitive pattern with a period of 1.26 seconds. The pattern is formed by sequentially interleaving 1.11 seconds of an unframed all ones pattern and 0.15 seconds of all ones modified by the AIS-CI signature. The AIS-CI signature is defined as a pattern which recurs at 386 bit intervals (two DS1 frame lengths) in the DS1 signal and is 01111100 11111111 (right to left). This results in a repetitive pattern of 6176 bits. If the first bit is numbered bit 0, bits 3088, 3474, and 5790 are logical zeroes and all other bits in the pattern are logical ones.

An alternative interpretation of the AIS-CI signature is that the AIS signal modified by the AIS-CI signature is equivalent to an ESF signal in which the FPS bits, the CRC-6 bits, and the payload are set to all ones and the DL is overwritten by the pattern 01111100 11111111.



The NAIS option controls the AIS-CI feature. When NAIS is set to CI, the AIS to AIS-CI conversion is enabled. When NAIS is set to AIS, the conversion is inhibited.

RAI to RAI-CI toward NET. The H2TU-C-388 List 1F in conjunction with the H2TU-R-402 List 4 support the RAI-CI function.

The RAI-CI signal is a RAI signal which contains a signature indicating that an AIS failure has occurred in the customer installation (CI) at the H2TU-R unit, and that the defect or failure which caused the origination of that RAI is not found in the signal from the network. Therefore, RAI-CI is transmitted toward the network when two conditions are simultaneously true at the point from which RAI-CI originated (at the H2TU-R, toward the network):

- RAI is received from the CI.
- No LOS or AIS failure is detected in the signal received from the network.

Sending RAI-CI terminates within 500 μ s when either of the following occurs:

- Cessation of RAI from the CI.
- Declaration of LOS or AIS in the signal from the network.

To prevent the transmission of RAI-CI during the failure-clearing interval of a network failure, the transition from RAI to RAI-CI is delayed for 20 seconds following the detection of conditions 1 and 2 above. Since RAI-CI meets the definition of RAI, it may be detected and used exactly as RAI is used. The longer period of time required for detection of RAI-CI does not affect its use for functions which require RAI.

The RAI-CI pattern is a function of the payload frame format as follows:

- ESF—The RAI-CI signal is a repetitive pattern in the Frame Bit for Datalink (FDL) with a period of 1.08 seconds. RAI-CI is formed by sequentially interleaving 0.99 (+/- 2 ms) seconds of the normal message 00000000 11111111 (right-to-left) with 90 milliseconds (+/- 2 ms) of the message 00111110 11111111 (right-to-left) to flag the signal as RAI-CI.
- SF—The SF RAI-CI signal is transmitted in-band by setting each of the 24 channel time slots to 1000 1011 (left-to-right). In addition to the criteria specified above, the generation of SF RAI-CI has to be held off for 1 second to examine the DS0s for a framed, all-zeros pattern. If present, the generation of SF RAI-CI is suspended for the duration of the all-zeros pattern.



Since the RAI to RAI-CI conversion modifies the payload, an RACI option is available to inhibit the RAI to RAI-CI conversion for those applications that cannot tolerate payload modifications.

Resetting to Factory Defaults



Resetting the H2TU-C to its original factory settings may cause an interruption of service.

To reset the H2TU-C-388 List 1F to its original factory defaults:

- 1 Press **C** to select the Config menu.
- 2 Use the **↑** and **↓** arrow keys to select **Set Factory Defaults**, then press **ENTER**.
- 3 Press **Y** if you want to reset the H2TU-C or press **N** to cancel this action.

```

Monitor Performance Event Log Config Inventory Rlogon Help
+-----+
| Standard Options -> |
| ADC Options      -> |
| Date and Time   -> |
| Master Clear    |
| Set Factory Defaults |
+-----+

SETTING FACTORY DEFAULTS...SERVICE MAY BE INTERRUPTED! ARE YOU SURE (Y/N)?
ID: xxxx--xxxx--xxxx--xxxx 09/20/2000 01:35:17 H2TU-C System: OK

```

Figure 9. Configuration Menu - Reset to Factory Defaults

Clearing the History, Alarm, and Event Log Screens

Select Master Clear to clear the History, Alarm, and Event Log screens after the system has been installed and is functioning properly. This removes miscellaneous data acquired during the startup session and ensures collection of accurate and meaningful data thereafter.

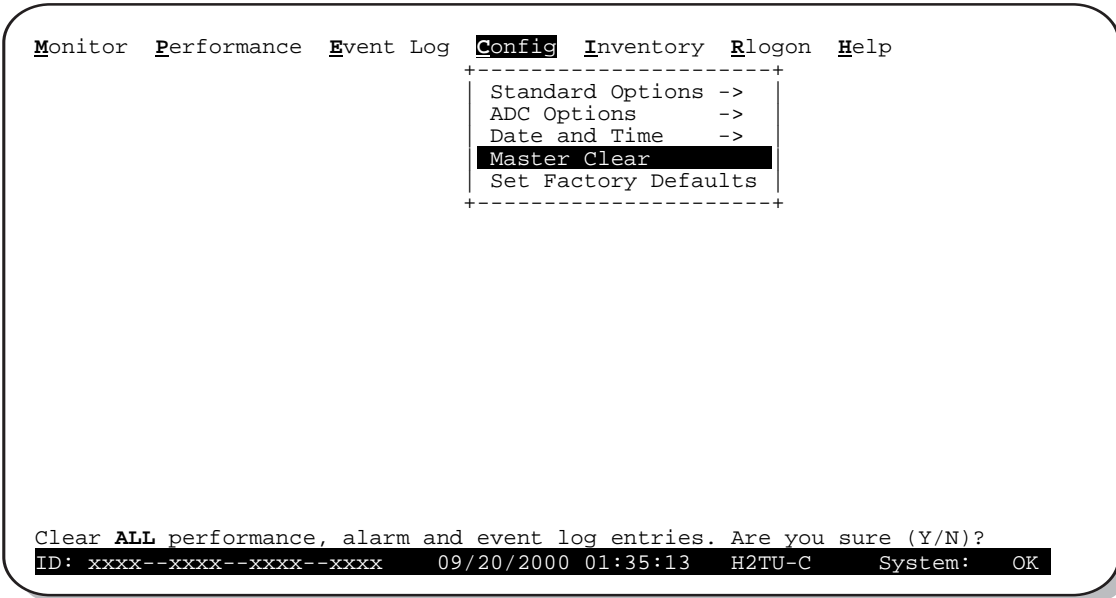


Figure 10. Configuration Menu - Master Clear

To clear the Event Log, press **E** to select the Event Log screen, then press **L** to clear the screen.

To clear an individual history or alarm screen, do the following:

- 1 Press **P** to select the Performance screen.
- 2 Press the **SPACEBAR** to select either interface (**H2TU-C DS1**, **H2TU-R DS1**, **H2TU-C HDSL2**, or **H2TU-R HDSL2**), then press **ENTER**.
- 3 Press the **SPACEBAR** to select the type of statistics (**Current**, **Alarm History**, **25 Hour History**, **48 Hour History**, or **31 Day History**) and press **ENTER** after your selection.
 - Selecting **31 Day History** allows you to clear the Current, 25-hour, 48-hour, and 31-day performance history screens for the selected interface.
 - Selecting **Alarm History** allows you to clear the alarm history screen for the selected interface. For information about the DS1 and HDSL2 Alarm screens, see [Table 14 on page 39](#) and [Table 15 on page 40](#), respectively.
- 4 Press **L** to clear the screen.

To clear ALL history, alarm, and event log screens by this method:

- 1 Press **C** to select the Config screen.
- 2 Use the **↑** and **↓** arrow keys to select **Master Clear**.
- 3 Press **Y** to clear all screens.

MONITORING SYSTEM ACTIVITY AND PERFORMANCE

The HDSL2 system provides the following maintenance screens for monitoring system activity and assessing performance.

- The Monitor screens provide a graphical representation of circuit activity and allow initiation of loopbacks.
- The Performance screens provide current, 25-hour, 48-hour, and 31-day performance histories and a continuous alarm history.
- The Event Log provides a description of the 100 most recent events, which include their origin, time and date of occurrence, and message.
- Following a remote log on, the Performance screens provide current and 8-hour Blockage Indicator histories at the H2TU-R DS1 interface.
- Following a remote log on, the Sectionalized Event Log screen displays events for all four legs of the H2TU-R DS1 interface.

PERFORMANCE MONITORING FROM THE H2TU-R

In addition to the standard H2TU-R features, the functionality of the H2TU-R List 4 has been enhanced to provide unique Performance Monitoring (PM) and testing capabilities.

Network surveillance is a key maintenance strategy. Real-time monitoring of performance through sectionalized analysis allows maintenance personnel to quickly locate a service degradation or failure. This also makes it easier to determine if the customer or network operator must bear responsibility for service and repair.

The Performance Monitoring screens analyze the DS1 transmission by tracking the four transmission legs shown in Figure 11.

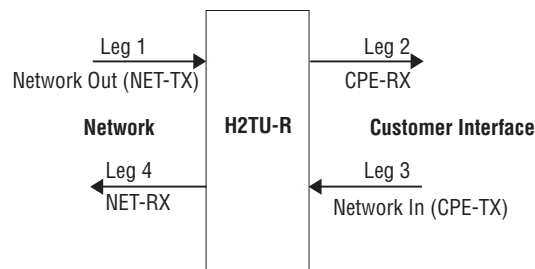


Figure 11. Sectionalized Analysis of the DS1 Interface

When installed on one end of an HDSL2 DS1 circuit, the remote unit provides the following special network benefits:

- Real-time performance monitoring of DS1 signals in both directions of transmission
- Non-intrusive access to real-time performance monitoring data (CPE-provided SF or ESF signal)

- Easy access to stored DS1 PM data using the craft port, 11-bit inband commands, or Facility Data Link (FDL):
 - Performance statistics (current, 25-hour, 48-hour, and 31-day)
 - Sectionalized events for all four legs of DS1 transmission
 - Blockage indicator (a quality-of-service summary statistic for the NET-TX and CPE-TX transmission legs at the DS1 interface)
- Easy access to stored HDSL2 PM data
- AIS-CI insertion toward the network upon detection of incoming LOS or AIS at the network interface
- RAI-CI insertion toward the network upon receiving RAI from the CPE, if the signal from the network is not impaired
- Loopback toward the network with AIS insertion to the CPE equipment
- Adaptive frame format conversion if enabled in:
 - SF to ANSI T1.403 ESF
 - Non-standard to standard ANSI T1.403 ESF
 - AT&T PUB 54016 to ANSI T1.403 ESF
- Easy access to remote provisioning:
 - Non-intrusive, using FDL, TL1 commands
 - Intrusive, using 11-bit payload commands

Network Elements (NEs), such as the ADA T3AS test and performance monitoring system, can be used to collect the performance monitoring data to allow full-time surveillance of the DS1 signal. By installing T3AS at a network boundary (for example, Interexchange Carrier [IEC] Point of Presence [POP], and a remote unit at the network interface), the Local Exchange Carrier (LEC) can monitor the performance of its portion of the network, and rapidly sectionalize circuit problems. By sectionalizing problems in its network the LEC knows without external involvement what trouble exists and who is responsible.

Table 11. Monitor Screen Descriptions

Field	Description
Active Loopback	An active loopback is indicated on the lower third of the Monitor screen. Available loopbacks are indicated by gray text. See Table 20 on page 50 for a summary of the HiGain HDSL2 loopback codes.
Alarm type	Indicates type of alarm.
Armed mode	Indicates system is in an armed state for an intelligent repeater loopback command.
Code type	Type of DS1 line coding used (B8ZS or AMI).
DS1 ES Count	Errored Seconds—The sum of the Errored Seconds-Line (ES-L) and Errored Seconds-Path (ES-P) counts detected on the DS1 input over a 24-hour period. Errors included are: DS1 Frame errors, BPV, and ESF CRC errors.
DS1 SES Count	Severely Errored Seconds—The sum of the DS1 Severely Errored Seconds-Line (SES-L) and Severely Errored Seconds-Path (SES-P) counts over the last 24 hours.
DS1 UAS Count	Unavailable Errored Seconds—The number of seconds during which the DS1 input signal was absent over a 24-hour period.
Frame type	Type of DS1 framing detected at the input stream (SF, ESF, or UNFR).
HDSL2 ES Count	Errored Seconds—The number of 1-second intervals that contained at least one CRC or LOSW error. This value is a running total of the last 24 Hours.
HDSL2 SES Count	Severely Errored Seconds—The number of 1-second intervals that contain at least 50 CRC errors or one or more LOSW defects. (An LOSW defect occurs when at least three consecutive HDSL frames contain one or more frame bit errors.) This value is a running total of the last 24 hours.
HDSL2 UAS Count	Unavailable Errored Seconds—The number of seconds the HDSL2 loop is unavailable. This occurs after 10 contiguous HDSL SES and is retired after 10 contiguous non-SES seconds. This value is a running total of the last 24 hours.
ID	Circuit identification (ID) number.
LA	Loop Attenuation—Indicates the attenuation of the Overlapped Pulse Amplitude Modulation Transmission with Interlocking Spectra (OPTIS) pulse from the distant end. The value is related to the loop attenuation at 196 kHz and should be kept under 35 dB.
LPF	Line Power Feed—Indicates the HDSL2 line power is on.
M	Margin—The signal-to-noise ratio at all HDSL2 ports, relative to a 10 ⁻⁷ Bit Error Rate.
MAL	Margin Alarm—Indicates the margin on HDSL2 loop has dropped below the threshold (0 to 15 dB) as set by the operator.
PL (or HG)	PL displays when the loopback was initiated by a command embedded in the DS1 data path payload (PL). HG displays when the loopback was initiated from a HiGain (HG) front panel or by a HiGain maintenance terminal loopback command.
PRM	The sum of the Performance Report Messaging-Near End (PRM-NE) and Performance Report Messaging-Far End (PRM-FE) counts.
System Status	The presence or absence of an alarm condition is indicated on the lower right corner of all screens. System: OK indicates that there are no alarms present; System: Alarm indicates the presence of an alarm. Refer to “Using the Performance Screens to View Alarm Data” on page 38 for detailed alarm information.

USING THE PERFORMANCE SCREENS TO VIEW PERFORMANCE DATA

To access the Performance history screens:

- 1 Press **P** to select the Performance screen.
- 2 Press the **SPACEBAR** to select either interface (**H2TU-C DS1**, **H2TU-R DS1**, **H2TU-C HDSL2**, or **H2TU-R HDSL2**), then press **ENTER**.
- 3 Press the **SPACEBAR** to select the type of statistic (**Current**, **Alarm History**, **25 Hour History**, **48 Hour History**, or **31 Day History**), then press **ENTER**.

To view the Blockage Indicator (BI) History screen, you must first logon to the remote.

- 1 Press **R** to log on to the H2TU-R remote unit.
- 2 Press **P** to select the Performance screen.
- 3 Press the **SPACEBAR** to select **H2TU-R DS1**, then press **ENTER**.
- 4 Press the **SPACEBAR** to select **BI History** to view the Blockage Indicator History screen. Press **ENTER**. (See “Blockage Indicator Statistics at the H2TU-R DS1 Interface” on page 35 for more information.)
- 5 When you wish to return to the H2TU-C logon screen, press **R**.

Performance History at the DS1 Interface

The Performance History for the DS1 Interface provides 31-day, 48-hour, 25-hour, and current statistics screens for the H2TU-C and the H2TU-R (as viewed from the H2TU-C). To gain access to Blockage Indicator Statistics at the H2TU-R you must be logged in remotely. See “Using the Performance Screens to View Performance Data” above for logon procedures.

Figure 13 below and Figure 14 on page 32 are examples of DS1 performance history screens at the remote unit. Figure 15 on page 32 is an example of DS1 performance history screens at the line unit. Refer to Table 12 on page 34 for descriptions of the kinds of errors reported on DS1 interface screens. Asterisks indicate performance monitoring from the previous day.

Monitor	Performance	Event Log	Config	Inventory	Rlogon	Help					
							H2TU-R DS1 31 Day History (Page 1 of 3)				
Date	CV-L	ES-L	SES-L	UAS-L	CV-P	ES-P	SES-P	UAS-P	PRM-NE	PRM-FE	
09/09	-	-	-	-	-	-	-	-	-	-	
09/10	-	-	-	-	-	-	-	-	-	-	
09/11	-	-	-	-	-	-	-	-	-	-	
09/12	-	-	-	-	-	-	-	-	-	-	
09/13	-	-	-	-	-	-	-	-	-	-	
09/14	-	-	-	-	-	-	-	-	-	-	
09/15	-	-	-	-	-	-	-	-	-	-	
09/16	-	-	-	-	-	-	-	-	-	-	
09/17	-	-	-	-	-	-	-	-	-	-	
09/18	-	-	-	-	-	-	-	-	-	-	
09/19	14	10	10	12	10	10	0	0	0	0	
09/20	0	0	0	2	0	0	0	0	0	0	
Press: (N)ext Page, (P)revious Page, C(l)ear History											
Use <Space> to cycle through choices and <Enter> to view					Interface : H2TU-R DS1						
					Statistics : 31 Day History						
ID: xxxx--xxxx--xxxx--xxxx					09/20/2000 01:34:13		H2TU-C		System: OK		

Figure 13. H2TU-R DS1 31-day Performance History

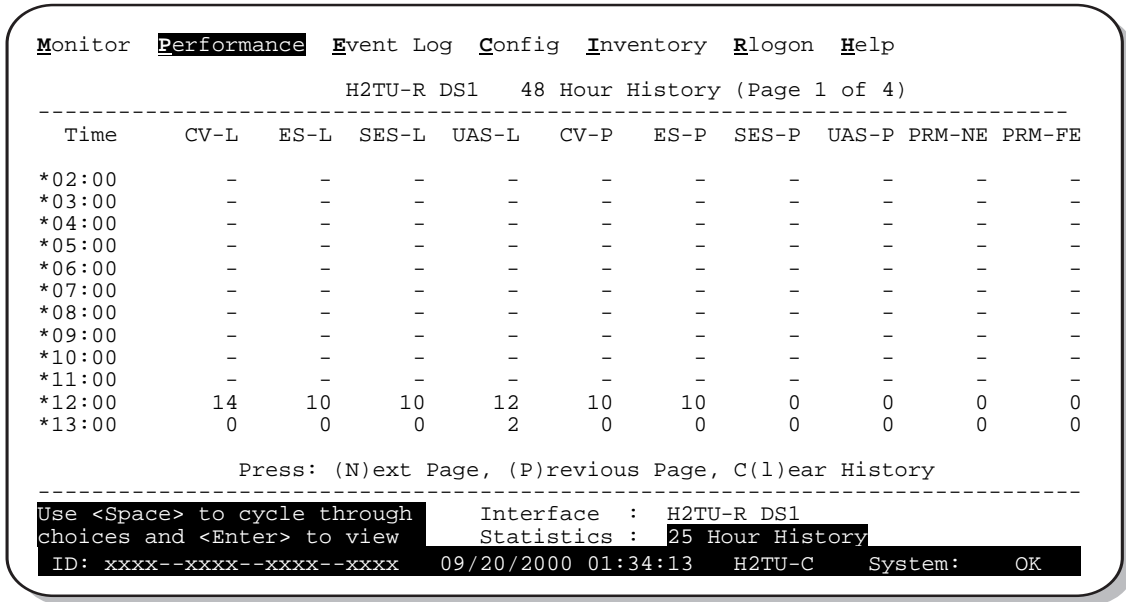


Figure 14. H2TU-R DS1 48-hour Performance History

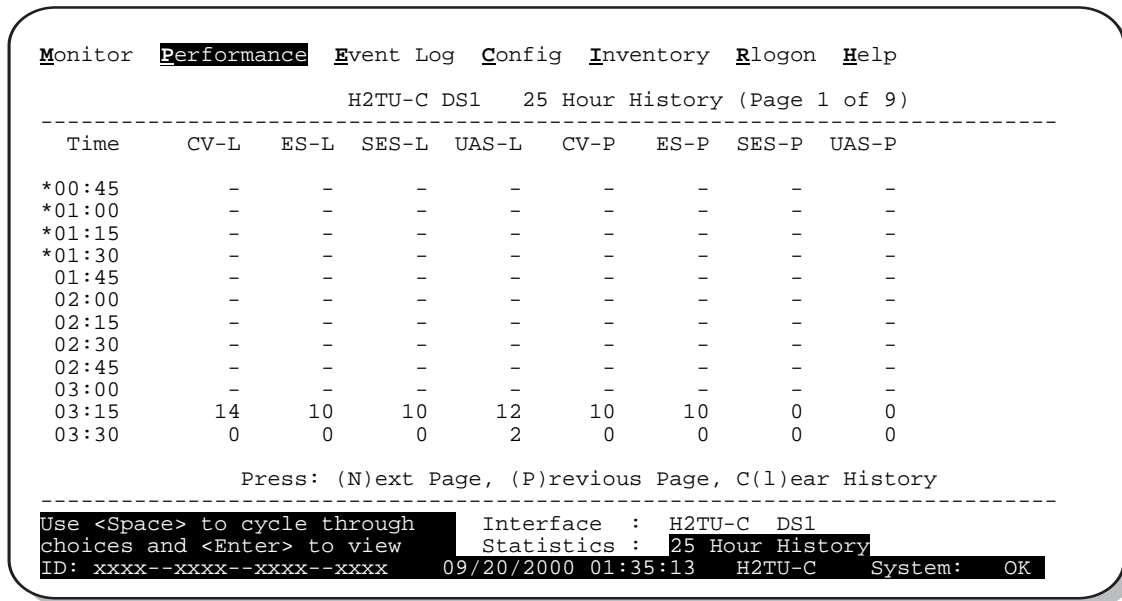


Figure 15. H2TU-C DS1 25-hour Performance History

Examples of current statistics screens are shown below. [Figure 16](#) and [Figure 17](#) show statistics for the DS1 interface at the remote unit and line unit, respectively. These screens report 1-day, 1-hour, and 15-minute statistics. Refer to [Table 12 on page 34](#) for descriptions of the kinds of errors reported on these screens.

```

Monitor  Performance  Event Log  Config  Inventory  Rlogon  Help
-----
                H2TU-R DS1  Current Statistics
-----
Start      1 Day    1 Hour    15 Min
          01:15    01:15    01:30
CV-L           0         0         0
ES-L           0         0         0
SES-L          0         0         0
UAS-L          0         0         0
CV-P           0         0         0
ES-P           0         0         0
SES-P          0         0         0
UAS-P          0         0         0
PRM-NE         0         0         0
PRM-FE         0         0         0
B8ZSS          0         0         0
MSEC          324        324        194
                Press: C(1)ear Current Statistics
-----
Use <Space> to cycle through      Interface : H2TU-R DS1
choices and <Enter> to view        Statistics : Current
ID: xxxx--xxxx--xxxx--xxxx      09/20/2000 01:33:14  H2TU-C  System:  OK

```

Figure 16. H2TU-R DS1 Current Statistics

```

Monitor  Performance  Event Log  Config  Inventory  Rlogon  Help
-----
                H2TU-C DS1  Current Statistics
-----
Start      1 Day    1 Hour    15 Min
          00:00    14:00    14:30
CV-L           0         0         0
ES-L           0         0         0
SES-L          0         0         0
UAS-L          0         0         0
CV-P           0         0         0
ES-P           0         0         0
SES-P          0         0         0
UAS-P          0         0         0

B8ZSS          0         0         0
MSEC          50413    2113     313
                Press: C(1)ear Current Statistics
-----
Use <Space> to cycle through      Interface : H2TU-C DS1
choices and <Enter> to view        Statistics : Current
ID: xxxx--xxxx--xxxx--xxxx      09/20/2000 14:35:13  H2TU-C  System:  OK

```

Figure 17. H2TU-C DS1 Current Statistics

Table 12. Error Acronyms Used on the DS1 Performance History Screens

Error Acronym	Description	Acronym	Description
CV-L	Code Violation - Line Total BPV count.	SES-P	Severely errored seconds - Path Seconds with SES or CRC (ESF) ≥ 320 or FE ^(a) (SF) $\geq 8 (F_T + F_S)$.
ES-L	Errored Seconds - Line Seconds with BPV ≥ 1 .	UAS-P	Unavailable seconds - Path A second of unavailability based on SES-P or AIS ≥ 1 .
SES-L	Severely errored seconds - Line Seconds with BPV plus EXZ ≥ 1544 or LOS ≥ 1 .	PRM-NE ^(b)	Performance Report Monitoring - Near End The PRM registers in the ESF/FDL from CPE indicate errors, and the signal received from the network at the remote is error-free.
UAS-L	Unavailable seconds - Line Seconds with LOS ≥ 1 .	PRM-FE ^(b)	Performance Report Monitoring - Far End The PRM registers in the ESF/FDL from the network indicate errors, and the signal received from the CPE is error-free.
CV-P	Code Violation - Path Total count of FE errors for SF, or CRC-6 errors for ESF.	B8ZSS ^(c)	B8ZS Monitored Seconds Seconds with B8ZS detection when AMI option is active.
ES-P	Errored Seconds - Path Seconds with SEF ^(d) , CRC (ESF) or FE (SF) ≥ 1 .	MSEC ^(c)	Monitored Seconds of the current (15-minute/1-hour/1-day) screen.
		BI ^(e)	Blockage Indicator (BI) = $[(0.2 \times ES + 0.4 \times SES + UAS) / MSEC] \times 100\%$ (MSEC is the same as the DS1 MSEC)

(a) FE is a frame bit error.

(b) Only appears on H2TU-R Performance History screens.

(c) Appears on the DS1 Current Statistics screens.

(d) Severely Errored Frame—Two or more frame bit errors occurring in a 0.75 ms interval for SF or a 3 ms interval for ESF.

(e) Only appears on the H2TU-R Blockage Indicator (BI) History screen.

Blockage Indicator Statistics at the H2TU-R DS1 Interface

Figure 18 is an example of an H2TU-R Blockage Indicator (BI) History screen, as viewed from the line unit following a remote log on. This screen can also be viewed when logged on locally at the remote unit. The BI statistics can also be retrieved using inband or Facility Data Link access.

BI is a quality of service (QoS) summary statistic which provides a quick indicator of circuit performance at the H2TU-R. The BI weighs and averages PM primitives to give a relative index of performance for leg 1 (NET TX) and leg 3 (CPE TX) of the DS1 interface (see Figure 11 on page 27).

This screen displays the BI as a percentage for the current hour and for each of the eight preceding hours.

```

Monitor Performance Event Log Config Inventory Rlogon Help
-----
H2TU-R DS1 Blockage Indicator History
-----
Time          NET-TX      CPE-TX
17:00         0%         0%
18:00         0%         0%
19:00         0%         0%
20:00         0%         0%
21:00         0%         0%
22:00         0%         0%
23:00         0%         0%
00:00         0%         0%
01:00         64%        64%

Press: C(1)ear History
-----
Use <Space> to cycle through      Interface : H2TU-R DS1
Choices and <Enter> to view       Statistics : BI History
ID: xxxx--xxxx--xxxx--xxxx      09/20/2000 01:35:13 H2TU-R System: OK

```

Figure 18. H2TU-R Blockage Indicator History Screen

BI is calculated as follows:

$$BI = [(UAS + .4 SES + .2 ES) / MON] \times 100$$

- where:
- BI = 0% indicates the circuit leg is clean.
 - BI = 99% indicates that the circuit leg is out of service.
 - BI = % that is greater than 0% and less than 99%. The higher the BI percentage, the more trouble on that particular circuit leg.
 - BI < 99%
 - MON = the number of seconds that were monitored in obtaining the UAS, SES and ES data.
 - ES Errored Seconds are a combination of DS1 path and line parameters as defined in ANSI T1.231-1997.
 - SES Severely Errored Seconds are based on parameters similar to ES, but are more severe in number.
 - UAS Unavailable Seconds. Upon the onset of 10 contiguous SES, line unavailability is declared. For the line (including HDSL loops) to become available, there must be a minimum period of 10 seconds which are free of SES.

Performance History at the HDSL2 Interface

The HDSL2 interface has 31-day, 48-hour, 25-hour, and current statistic screens for the H2TU-C. Figure 19 and Figure 20 below are examples of 31-day and 48-hour performance history screens. Figure 21 and Figure 22 on page 37 are examples of 25-hour and current statistics performance history screens. Refer to Table 13 on page 38 for descriptions of the kinds of errors reported on all HDSL2 performance screens. Asterisks indicate performance monitoring from the previous day.

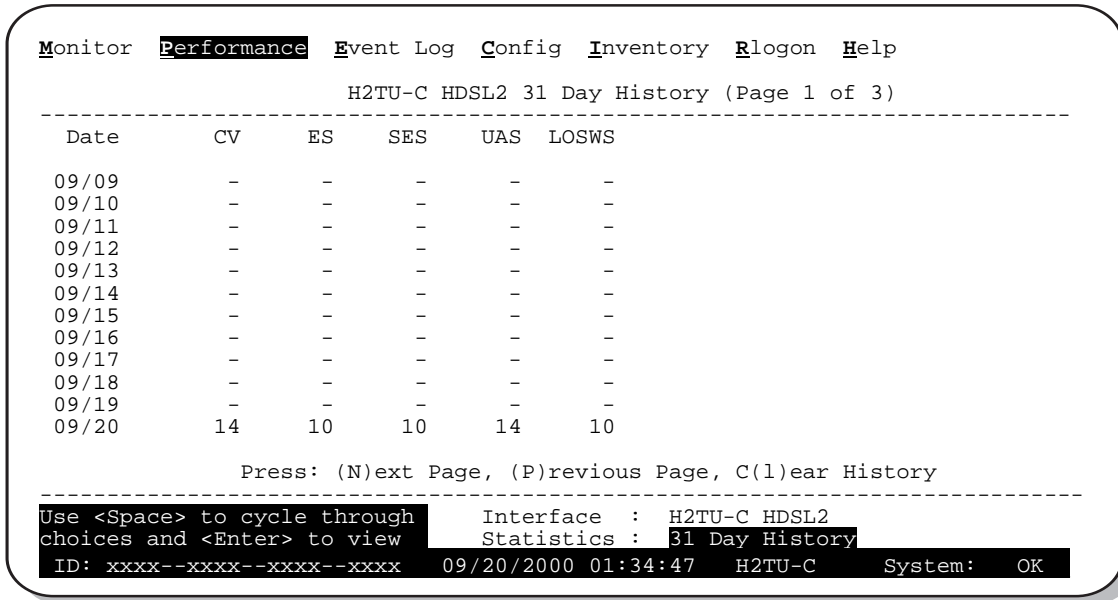


Figure 19. H2TU-C HDSL2 31-day Performance History

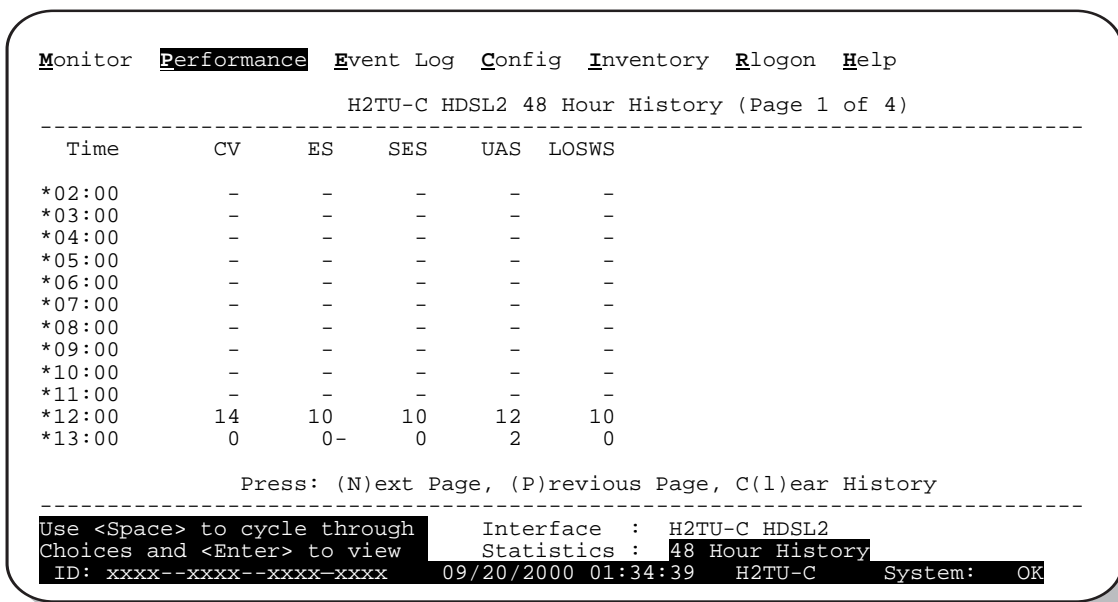


Figure 20. H2TU-C HDSL2 48-hour Performance History

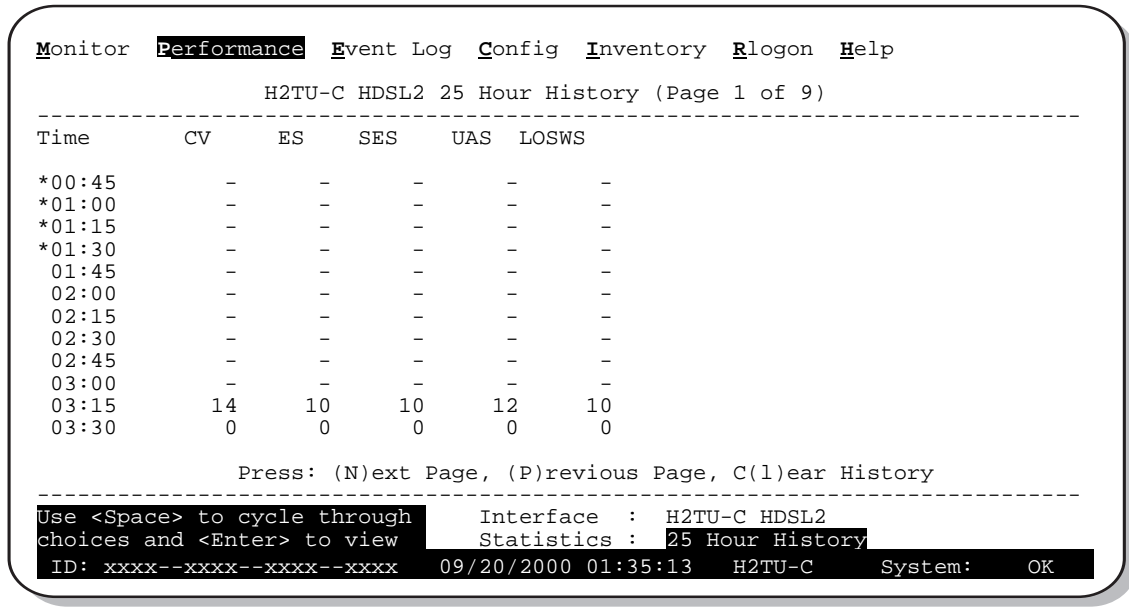


Figure 21. H2TU-C HDSL2 25-hour Performance History

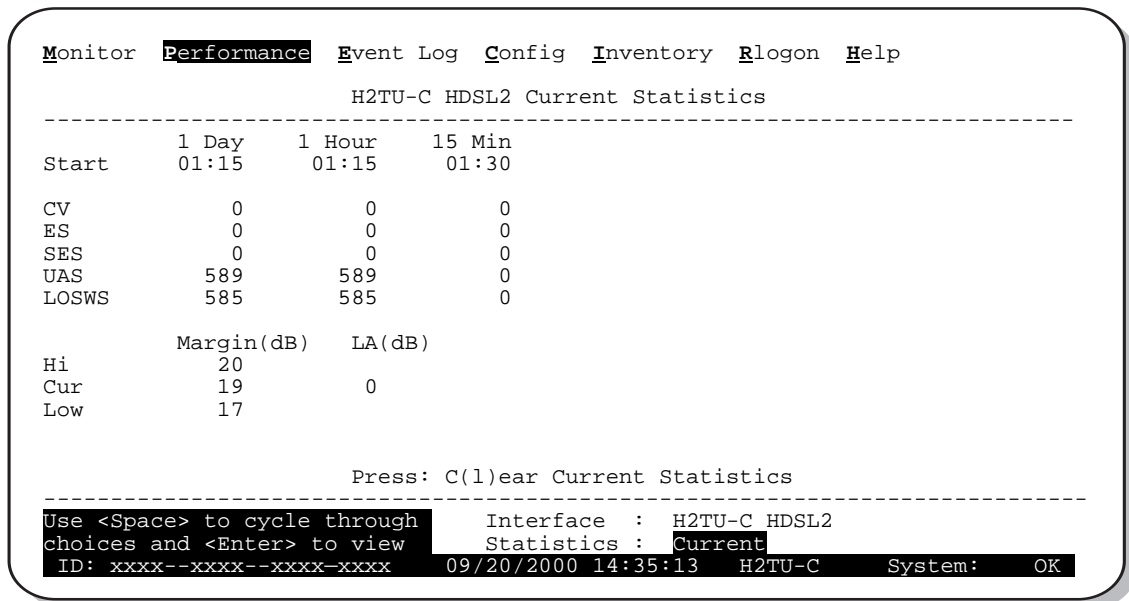


Figure 22. H2TU-C HDSL2 Current Statistics

Table 13. Error Acronyms Used on the HDSL2 Performance History Screens

Error Acronym	Description
ES	Errored seconds Seconds with HDSL2 CRC \geq 1 or LOSW \geq 1
SES	Severely errored seconds Seconds with HDSL2 CRC \geq 50 or LOSW \geq 1
UAS	Unavailable seconds Based on 10 contiguous SES occurrences
CV	Code Violation Total count of HDSL2 CRC errors.
LOSWS	Loss of Sync Word Second Seconds with LOSW \geq 1

USING THE PERFORMANCE SCREENS TO VIEW ALARM DATA

To access the alarm history screens:

- 1 Press **P** to select the Performance menu.
- 2 Press the **SPACEBAR** to select an interface (**H2TU-C DS1**, **H2TU-R DS1**, **H2TU-C HDSL2**, or **H2TU-R HDSL2**), then press **ENTER**.
- 3 Press the **SPACEBAR** until **Alarm History** is selected, then press **ENTER**.
- 4 Press **N** or **P** to page through the alarm history screens.
- 5 Press **L** to clear the selected alarm history screen.

Alarm History at the H2TU-C DS1 Interface

The Alarm History screen reports DS1 statistics for the H2TU-C (Figure 23) and the H2TU-R (Figure 24 on page 39) on a continuous basis. The types of alarms reported are described in Table 14 on page 39. Current alarms are shown in reverse video.

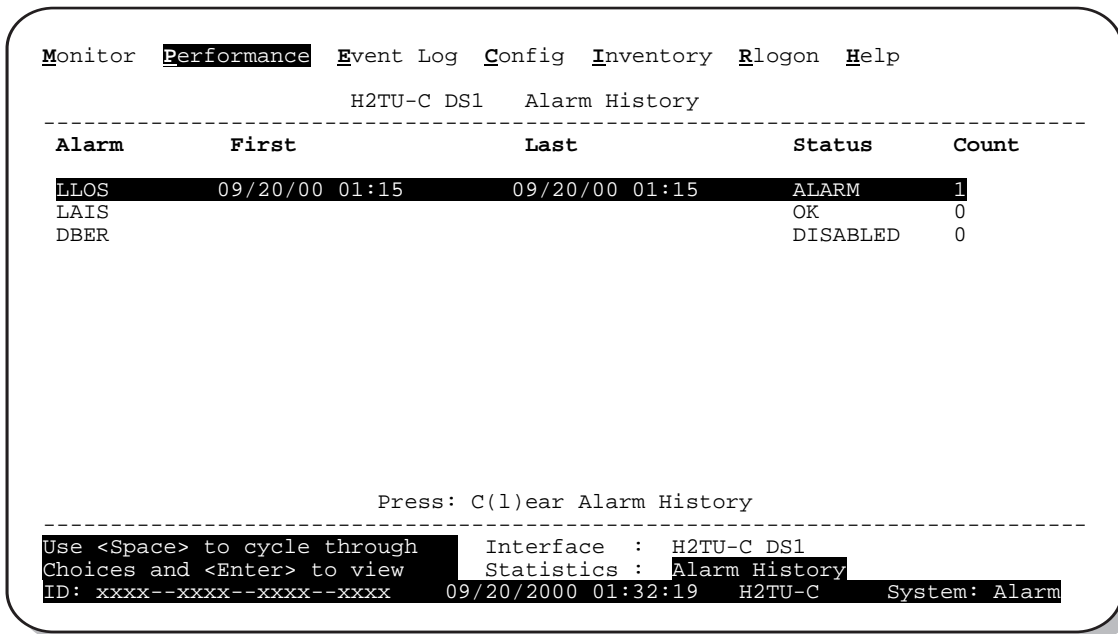


Figure 23. H2TU-C DS1 Alarm History Screen

```

Monitor  Performance  Event Log  Config  Inventory  Rlogon  Help
-----
                H2TU-R DS1  Alarm History
-----
Alarm          First              Last              Status           Count
RLOS
RAIS           09/20/00 01:24      09/20/00 01:29  ALARM           3
RAI
TX RAI-CI
PRM-NE
PRM-FE
DBER
                Status           Count
                OK              0
                OK              0
                OK              0
                DISABLED     0
                DISABLED     0
                DISABLED     0

                Press: C(l)ear Alarm History
-----
Use <Space> to cycle through  Interface : H2TU-R DS1
choices and <Enter> to view  Statistics : Alarm History
ID: xxxx--xxxx--xxxx--xxxx  09/20/2000 01:33:23  H2TU-C  System: Alarm

```

Figure 24. H2TU-R DS1 Alarm History Screen

Table 14. DS1 Alarm Descriptions

Screen Alarm	Front-panel Alarm	Description
H2TU-C DS1 ALARMS (see Figure 23 on page 38)		
LLOS ^(a)	LLOS	Local Loss of Signal—Loss of the H2TU-C DSX-1 input signal.
LAIS	LAIS	Local Alarm Indication Signal—Indicates an AIS (all ones) pattern is being transmitted from the local DS1 output port. The ALMP option determines whether AIS (default) or LOS is sent towards the CPE.
DBER	DBER	Bit Error Rate—The DS1 BER has exceeded the built-in 24-hour threshold limits of approximately 10 ⁻⁶ .
H2TU-R DS1 ALARMS (see Figure 24)		
RLOS ^(a)	RLOS	Remote Loss of Signal— Loss of the H2TU-R DS1 input signal.
RAIS	RAIS	Remote Alarm Indication Signal—Indicates an AIS (all ones) pattern is being received at the H2TU-R DS1 input port. By default AIS-CI ^(b) is sent towards the network (see Figure 29 on page 48).
RAI	RRAI	Remote RAI - Remote Alarm Indication at the H2TU-R—Indicates an RAI alarm (yellow LEDs) from the CPE with errors from the line unit or network.
TX RAI-CI	TRCI	Transmit RAI-CI - Remote Alarm Indication at the H2TU-R—Upon reception of an RAI (yellow alarm) from the CPE, the H2TU-R sends a RAI-CI towards the network if the network signal received at the H2TU-R is clear. If the network signal is impaired (LOS or AIS), then the RAI is passed on to the network unaltered. This is applicable to SF or ESF framing. In an all SF environment, RACI must be enabled to convert SF RAI to SF RAI-CI.
DBER	DBER	Bit Error Rate—The DS1 BER has exceeded the built-in 24-hour threshold limits of approximately 10 ⁻⁶ .
PRM-NE	PRMN	Performance Report Monitoring - Near End—The count of the PRM-NE register at the H2TU-R exceeds the 10 ⁻⁶ BER threshold at 648 events since 12:00:00 AM.
PRM-FE	PRMF	Performance Report Monitoring - Far End—The count of the PRM-FE register at the H2TU-R exceeds the 10 ⁻⁶ BER threshold at 648 events since 12:00:00 AM.

(a) This is a DS1-specific alarm that also issues a minor alarm (sent to the management unit or the backplane), if enabled.

(b) AIS-CI is a modified AIS alarm pattern. Equipment not suited to detect AIS-CI still detects this signal as an AIS. AIS-CI is sent toward the network indicating that an LOS (RLOS) or AIS (RAIS) has been received from the CPE.

Alarm History at the HDSL2 Interface

The HDSL2 Alarm History screens report alarms for the HDSL2 interface at the H2TU-C and H2TU-R. Figure 25 shows the H2TU-C HDSL2 alarm history. Table 15 describes the alarms that are reported at the H2TU-C or H2TU-R.

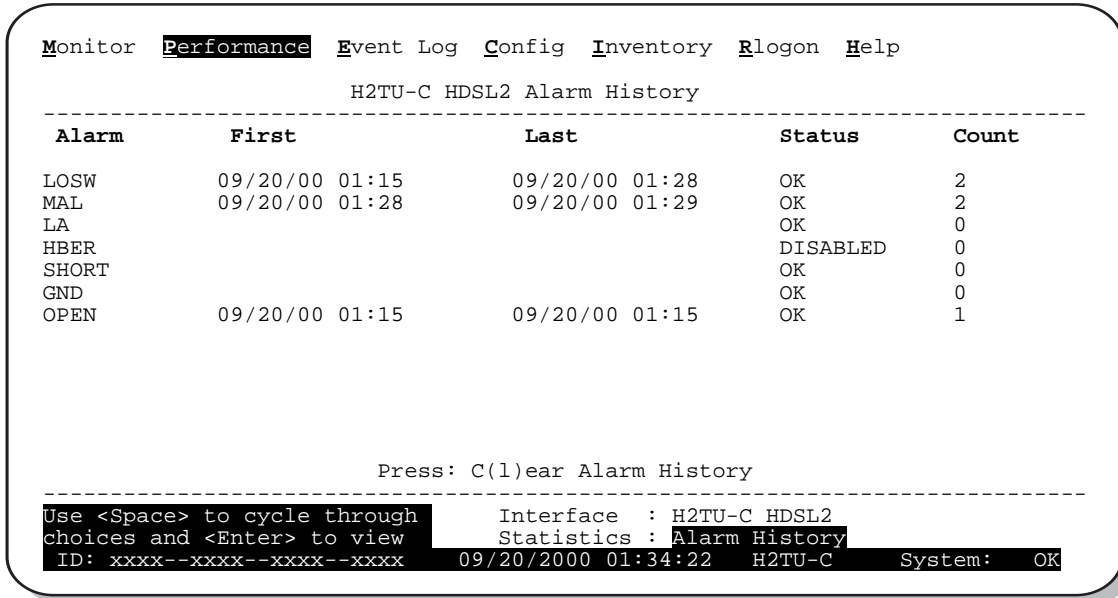


Figure 25. H2TU-C HDSL2 Alarm History Screen

Table 15. HDSL2 Alarm Descriptions

Screen Alarm	Front-Panel Alarm	Description
HDSL2 ALARMS at the H2TU-C and H2TU-R		
LOSW	SPN n -LOSW	Loss of Sync Word—The HDSL2 loop has lost synchronization.
MAL	xxx-MAL	Margin—The margin on the HDSL2 loop has dropped below the minimum threshold value set for the system. (xxx denotes either TUC or TUR.)
LA	xxx-LA	Loop Attenuation—The attenuation on the HDSL2 loop has exceeded the maximum value set for the HDSL2 loop attenuation threshold. (xxx denotes either TUC or TUR.)
HBER	xxx-HBER	Block Error Rate—The HDSL2 BER has exceeded the set threshold limits of 10^{-6} or 10^{-7} . (xxx denotes either TUC or TUR.)
HDSL2 ALARMS at the H2TU-C only		
SHORT	PWR FEED SHT	Indicates a short between the Tip and Ring of the HDSL2 pair.
GND	PWR FEED GND	The HDSL2 loop is grounded.
OPEN	PWR FEED OPEN	Indicates a line power open condition.

USING THE EVENT LOG TO TRACK SYSTEM EVENTS

The System Event Log screen displays the 100 most recent events (most recent event displayed first) and provides the following information:

- Origin tags to identify the source of a Write entry (see “Origin Tags” on page 42)
- Date and time
- Event log messages (see “Event Log Messages” on page 43)

To view a running log of system events, press **E** to select the Event Log.

- Press **N** or **P** to page through the event log.
- Press **T** to return to the top of the log.
- Press **L** to clear the event log.

```

Monitor Performance Event Log Config Inventory Rlogon Help
-----
System Event Log (Page 1 of 7)
-----
#   Origin          Date and Time      Entry
1   Line Unit       09/20/00 01:29:29  HDLSL2 Unavailability: End
2   Remote Unit     09/20/00 01:29:28  DS1 AIS Alarm: Begin
3   Remote Unit     09/20/00 01:29:26  DS1 AIS Alarm: End
4   Line Unit       09/20/00 01:29:24  HDLSL2 MAL Alarm: End
5   Line Unit       09/20/00 01:29:21  HDLSL2 LOSW Alarm: End
6   Line Unit       09/20/00 01:29:20  HDLSL2 MAL Alarm: Begin
7   Line Unit       09/20/00 01:29:02  HDLSL2 Unavailability: Begin
8   Line Unit       09/20/00 01:28:59  HDLSL2 MAL Alarm: End
9   Line Unit       09/20/00 01:28:55  HDLSL2 LOSW Alarm: Begin
10  Line Unit       09/20/00 01:28:53  HDLSL2 MAL Alarm: Begin
11  Line Unit       09/20/00 01:24:32  HDLSL2 Unavailability: End
12  Remote Unit     09/20/00 01:24:31  DS1 AIS Alarm: Begin
13  Remote Unit     09/20/00 01:24:29  DS1 AIS Alarm: End
14  Remote Unit     09/20/00 01:24:27  DS1 AIS Alarm: Begin
15  Line Unit       09/20/00 01:24:24  HDLSL2 LOSW Alarm: End

Press: (N)ext Page, (P)revious Page, (T)op of Log, C(l)ear Log
ID: xxxx--xxxx--xxxx--xxxx 09/20/2000 01:35:52 H2TU-C System: Alarm

```

Figure 26. Event Log Screen

Origin Tags

The origin tags identify the source of all Write entries and how an event occurred. The exact meaning is dependent on the type of event and the unit reporting the event. A Write entry changes a system parameter or an option setting. It does not affect circuit status changes, such as alarms. Table 16 lists the various origin tags and their definitions.

Table 16. Origin Tags

Origin Tag	Definition
Provisioning changes initiated at the line unit (logged on to the line unit)	
LU Craft Port	Event was initiated from the RS-232 craft port located on the front panel of the H2TU-C.
LU Front Panel	Event was initiated from the MODE and/or LBK pushbutton on the front panel of the H2TU-C.
Management Host	Event was initiated from a host management unit, such as an HMU-319, that sent a command over the management bus on the H2TU-C shelf backplane.
Provisioning changes initiated at the line unit (logged on to the remote unit)	
Line Unit	This generic origin tag can only occur when viewing the Event Log screen at the remote unit. It is a general indication that the event was initiated at the line unit. The Event Log screen must then be viewed at the line unit (through an <code>Rlogon</code> command) for more specific origin information.
Provisioning changes initiated at the remote unit (logged on to the remote unit)	
RU Front Panel	Event was initiated from the LBK pushbutton on the front panel of the H2TU-R.
RU Craft Port	Event was initiated from the RS-232 craft port located on the front panel of the H2TU-R.
TL1 Command	Event was initiated by a non-intrusive TL1 command embedded in the FDL of the ESF DS1 signal received by the HDSL2 circuit.
11 Bit Command	Event was initiated by an intrusive command in the DS1 payload received by the HDSL2 circuit.
Provisioning changes initiated at the remote unit (logged on to the line unit)	
Remote Unit	This generic origin tag can only occur when viewing the Event Log screen at the line unit. It is a general indication that the event was initiated at the remote unit. The Event Log screen must then be viewed at the remote unit (through an <code>Rlogon</code> command) for more specific origin information.
Loopback commands	
Remote Unit	Implies that the loopback command was initiated at the remote unit by the front-panel pushbuttons, craft port, or in the remote unit's DS1 input payload. A loopback initiated from a terminal would have a Remote Unit tag if the initiating terminal is in a remote login session.
Line Unit	Implies that the loopback command was initiated at the line unit by the front-panel pushbuttons, craft port, or in the line unit's DSX-1 input payload.
Alarms	
Remote Unit	Indicates that the alarm occurred at the remote unit.
Line Unit	Indicates that the alarm occurred at the line unit. LOSW, SHORT, GND, and OPEN are always tagged as line unit alarms.

Event Log Messages

Table 17 lists all the possible messages that can be displayed by the System Event Log screen.

Table 17. *Event Log Messages*

DS1 Alarm History reset
DS1 PM register reset
HDSL2 Alarm History reset
HDSL2 PM register reset
Loop Down (any segment)
Loop Up (any segment)
Provisioning option change: <provisioning mnemonic>: changed from <old> to <new>
CPE DBER alarm (1-day threshold crossed of any PM data except PRM-NE or PRM-FE)
CPE DS1 AIS begins/ends
CPE DS1 LOS begins/ends
CPE PRM-NE BER alarm (at the remote only: 1-day threshold crossed of PRM-NE: trouble on CPE receive)
Current statistics reset
Event Log reset
H2TU-C Power up/down
H2TU-R Power up/down
HDSL2 DC pair open begins/ends on any segment
HDSL2 Ground fault begins/ends on any segment
HDSL2 HBER alarm (threshold crossed) on any segment.
HDSL2 loop attenuation (threshold crossed) on any HDSL2 interface
HDSL2 margin alarm (threshold crossed) on any HDSL2 interface
HDSL2 unavailability begins/ends on any segment
Master zero reset
NTWK DBER alarm (1-day threshold crossed of any PM data)
NTWK DS1 LOS begins/ends
NTWK PRM-FE BER alarm (at the remote only: 1-day threshold crossed of PRM-FE: trouble on NTWK far end)
NTWK DS1 AIS begins/ends
Power Feed Open begins/ends
Power Feed Short begins/ends
RAI begins/ends
TX RAI-CI begins/ends (RAI-CI sent from the remote towards the network)

USING THE SECTIONALIZED EVENT LOG TO ISOLATE TROUBLE

The Sectionalized Event Log screen (Figure 27) displays the date and time of the 100 most recent sectionalized events for all four legs of the H2TU-R DS1 interface (Figure 28 on page 45). The screen provides a description of each event with the most recent event displayed first.



The Sectionalized Event Log screen can only be viewed through an **R**logon session from the H2TU-C end, or through a local logon session from the H2TU-R end.

To view the H2TU-R Sectionalized Event Log, press **R** to logon remotely, then press **E**.

- Use the **↑** and **↓** arrow keys to select **Sectionalized Event Log**.
- Press **N** or **P** to page through the event log.
- Press **T** to return to the top of the log.
- Press **L** to clear the event log.
- Press **ESC** to exit the Sectionalized Event Log screen, then press **R** to return to the H2TU-C logon screen.

```

Monitor Performance Event Log Config Inventory Rlogon Help
-----
Sectionalized Event Log (Page 1 of 7)
-----
#   Date and Time      NET-TX      CPE-RX      CPE-TX      NET-RX
1   09/20/2000 12:25:00    OK          OK          Alarm       AIS-CI
2   09/20/2000 12:25:00    Alarm      AIS         OOF        AIS-CI
3   09/19/2000 12:25:00    Alarm      AIS         OOF         OK
4   09/19/2000 12:25:00    Alarm      OK          OK          OK
5   09/19/2000 00:13:32    Alarm      OK          OK          OK
6   09/19/2000 00:13:27    OK         OK          OK          OK
7   09/19/2000 00:13:27    ES         OK          SES         OK
8   09/19/2000 00:11:16    OK         OK          SES         OK
9   09/19/2000 00:10:43    RAI        RAI         SES         OK
10  09/19/2000 00:10:30    RAI        RAI         OK          OK
11  09/19/2000 00:04:11    OK         OK          OK          OK
12  09/19/2000 00:00:40    OK         OK          Alarm       AIS-CI
13  09/19/2000 00:00:02    OK         OK          OK          OK
14  - Empty -
15  - Empty -

Press: (N)ext Page, (P)revious Page, (T)op of Log, C(l)ear Log
ID: xxxx--xxxx--xxxx--xxxx 09/20/2000 12:30:01 H2TU-C System: OK
    
```

Figure 27. H2TU-R Sectionalized Event Log Screen



On signals without Far End or Near End PRM present, event data in the CPE-RX and NET-RX circuit legs is limited to trouble alarms.

Sectionalized events isolate trouble to a particular circuit leg. For example, an ES listed under the NET-TX column indicates that an errored second condition exists on the NET-TX circuit leg beginning with the time stamp and continuing until an OK or other new event is recorded.

Sectionalized events use the status definitions described in [Figure 28](#) and [Table 18](#).

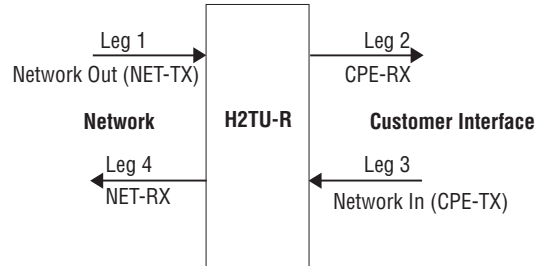


Figure 28. Sectionalized Events

Table 18. Sectionalized Event Definitions

Transmission Leg	Event Name	Event Description
Leg 1 (NET-TX)	Alarm	HDSL2 LOSW or DS1 LOS received from the network
	AIS	AIS received from the network
	RAI	RAI received from the network
	OOF	More than 2 seconds of OOF received
	SES	BPV \geq 1544, CRC (ESF) \geq 320, or FE (SF) \geq 8
	ES	BPV, SEF, CRC (ESF), or FE (SF)
	OK	Leg 1 is clear
Leg 2 (CPE-RX)	Alarm ^(a)	Inferred alarm because RAI is received from the CPE at leg 3 and leg 1 is clear
	AIS	Reported only when remote actively sends out AIS to CPE
	RAI	Leg 1 is in RAI state
	SES ^(a)	Inferred SES. PRM received from CPE has G6 or SE bit set.
	ES ^(a)	Inferred ES. PRM received from CPE has any of G1 through G5 set, LV, or FE set.
	NOT SECT	Cannot be sectionalized; no PRM received from the CPE.
	OK	PRM received from CPE has no errors.
Leg 3 (CPE-TX)	Alarm	LOS received from CPE
	AIS	AIS received from CPE
	RAI	RAI received from CPE
	OOF	More than 2 seconds of OOF received
	SES	BPV + EXZ \geq 1544 of F (ESF) \geq 320 or FE (SF) \geq 8
	ES	BPV, SEF, CRC (ESF), or FE (SF)
	OK	Leg 3 is clear
Leg 4 (NET-RX)	Alarm ^(a)	Inferred alarm because RAI is received from the network at leg 1 and leg 3 is clear
	AIS-CI	Remote actively sends out AIS-CO to the network due to an LOS or AIS at leg 3
	RAI-CI	Remote actively sends out RAI-CI due to leg 3 RAI and leg 1 is clear
	SES ^(a)	Inferred SES. PRM received from CPE has G6 or SE bit set.
	ES ^(a)	Inferred ES. PRM received from CPE has any of G1 through G5 set, LV, or FE set.
	NOT SECT	Cannot be sectionalized; no PRM received from the CPE.
	OK	PRM received from CPE has no errors.

(a) An inferred failure or error condition is displayed in reverse video on the monitor.

TESTING

This section provides information about front-panel system alarms, LOS and AIS response, OCT55 test procedure, and loopback testing.

FRONT-PANEL SYSTEM ALARMS

Table 19 summarizes all possible HDSL2 system alarms in order of priority as they appear on the front panel. When multiple alarms occur, the front-panel display only reports the highest priority alarm. The alarm history screens display alarms also, but provide greater detail. See “Using the Performance Screens to View Alarm Data” on page 38. All alarms that are not inhibited will drive the front-panel Status LED to a flashing red alarm state.

Table 19. *Front-Panel System Alarms Summary*

Front-panel Message ^(a)	Alarm	Description	To Inhibit
PWR FEED SHRT	Power Feed Short	A short exists between the Tip and Ring of the HDSL2 pair.	Cannot be inhibited.
PWR FEED GND	Power Feed Ground	The HDSL2 loop is grounded.	Cannot be inhibited.
PWR FEED OPEN	Power Feed Open	A line power open condition exists.	Cannot be inhibited.
SPN <i>n</i> -LOSW ^(b)	Span(<i>n</i>)-Loss of Sync Word	The HDSL2 loop has lost synchronization. The span closest to the network has highest priority.	Cannot be inhibited.
LLOS	Local Loss of Signal	Loss of the DSX-1 input signal.	Cannot be inhibited.
RLOS	Remote Loss of Signal	Loss of the H2TU-R DS1 input signal.	Cannot be inhibited.
LAIS	Local Alarm Indication Signal	Indicates an AIS (all ones) pattern is being transmitted from the local DS1 output port.	Cannot be inhibited.
RAIS	Remote Alarm Indication Signal	Indicates an AIS (all ones) pattern is being received at the H2TU-R DS1 input port.	Cannot be inhibited.
TRCI	Transmit RAI-CI—Remote Alarm Indication at the H2TU-R	Upon reception of an RAI alarm (yellow LED) from the CPE, the H2TU-R sends RAI-CI towards the network if the network signal received at the H2TU-R is clear. If the network signal is impaired (LOS, AIS, or LOF), then the RAI is passed on to the network unaltered.	Cannot be inhibited.
RRAI	Remote RAI—Remote Alarm Indication at the H2TU-R	Indicates an RAI alarm (yellow LED) from the CPE with errors from the line unit or network.	Cannot be inhibited.
xxx-DBER	DS1 Bit Error Rate	The DS1 BER has exceeded the set threshold limits of approximately 10^{-6} . (xxx denotes either TUC or TUR. If TUC and TUR occur at the same time, then TUC displays.)	Select DIS for the DBER system option.
PRMF	Performance Report Messaging - Far End	Indicates H2TU-R PRM-FE BER threshold is exceeded.	Set DBER threshold to DIS.
PRMN	Performance Report Messaging - Near End	Indicates H2TU-R PRM-NE BER threshold is exceeded.	Set DBER threshold to DIS.
xxx-HBER	HDSL2 Block Error Rate	The HDSL2 BER has exceeded the set threshold limits of 10^{-6} or 10^{-7} . (xxx denotes either TUC or TUR. If TUC and TUR occur at the same time, then TUC displays.)	Select NONE for the HBER system option.

Table 19. *Front-Panel System Alarms Summary (Cont.)*

Front-panel Message ^(a)	Alarm	Description	To Inhibit
xxx-MAL	Margin Alarm	The margin on the HDSL2 loop has dropped below the minimum threshold value set for the system. (xxx denotes either TUC or TUR. If TUC and TUR occur at the same time, then TUC displays.)	Set the Margin Alarm Threshold option to 0 (zero).
xxx-LA	Loop Attenuation	The attenuation on the HDSL2 loop has exceeded the maximum value set for the HDSL2 loop attenuation threshold. (xxx denotes either TUC or TUR. If TUC and TUR occur at the same time, then TUC displays.)	Set the HDSL2 Loop Attenuation Threshold option to zero.

(a) The message, ALRM, displays prior to any alarm message.

(b) When the HDSL2 loop loses sync word (LOSW), a system alarm condition exists. However, since the H2TU-C enters the acquiring mode, the front-panel Status LED flashes red and the ACQ or SIG message displays instead of the ALRM message.

Alarm Option for Digital Loop Carrier (DLC) Feed

To improve HiGain HDSL2 compatibility with the switch-to-protect features used in DLC feeder applications, the H2TU-C-388 has an Alarm Pattern (ALMP) option that allows you to select either an AIS or LOS DS1 output payload for the following alarms:

- LOSW on any loop
- LOS DS1

Retiring System Alarms

To retire a system alarm, press the LBK pushbutton to execute an Alarm Cutoff (ACO). An ACO turns the alarm off and replaces the ALRM message with an ACO message. The second part of the ALRM message, which defines the cause of the alarm, remains. Both parts of the message remain until the alarm condition clears or another higher priority alarm occurs.

Remote LOS and AIS Response

Figure 29 shows the different ways the H2TU-R can respond to the network, depending on the configuration of the TLOS, NLBP, RDA, ALMP, and NAIS configuration options described in Table 5 on page 16 and Table 6 on page 18.

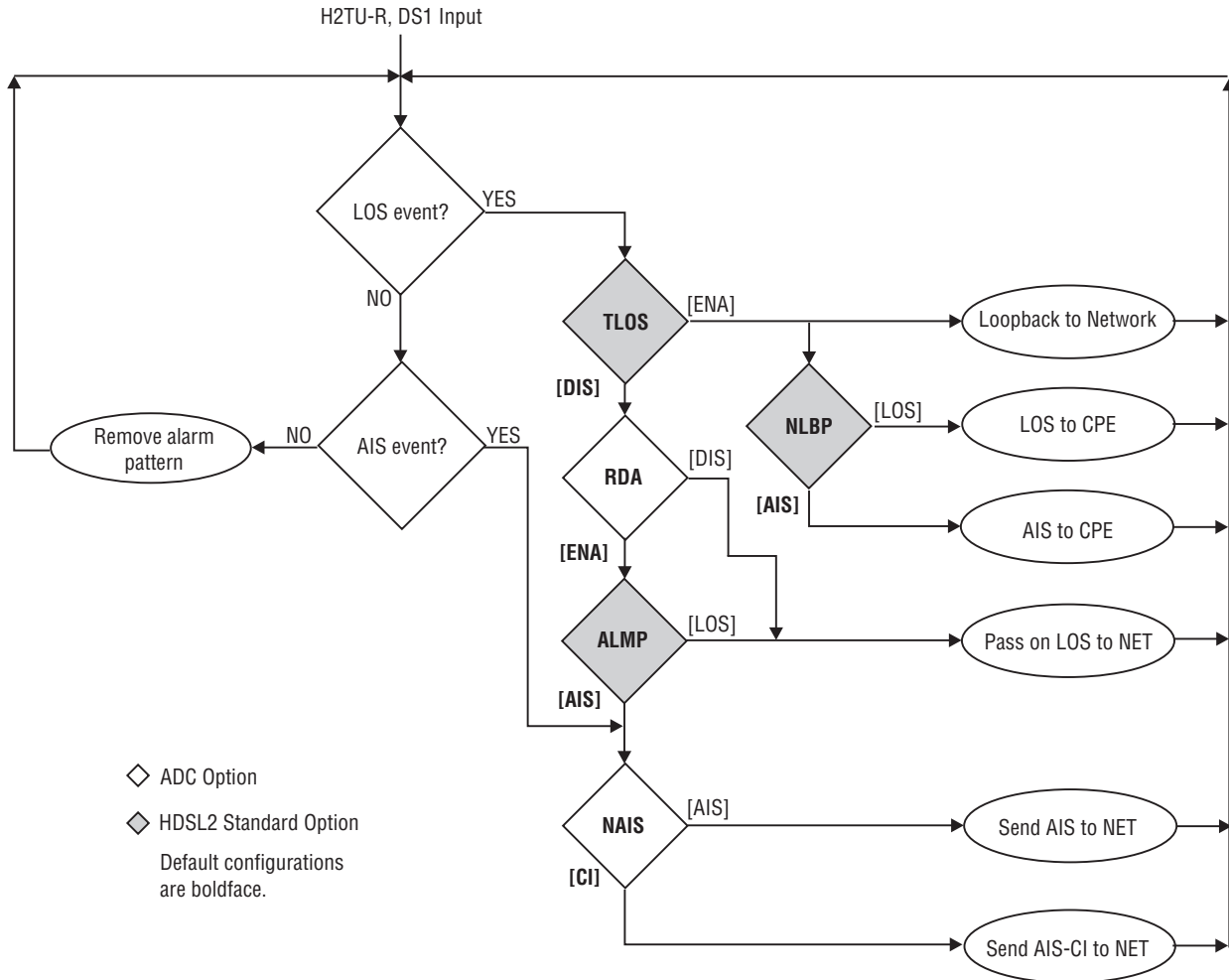


Figure 29. H2TU-R LOS and AIS Response Priorities

OCT55 TEST PATTERN WITH AMI CODE

The OCT55 test pattern can be used in unframed mode to stress the system and verify data integrity without creating any line errors. When a framed OCT55 test pattern is used, excessive zero anomalies may occur which cause the H2TU-C to report ES, SES, and UAS errors according to ANSI T1.231-1997.

LOOPBACK OPERATION

HiGain HDSL2 has a family of loopback options for analyzing circuit functionality. The loopback signal is transmitted and returned to the sending device for comparison. This allows you to verify the integrity of the HDSL2 channels to the H2TU-C, the H2TU-C DSX-1 interface, and the DS1 channels to the customer. Loopback options include:

- Generic Loopback (GNLB) options, including the SmartJack (SMJK) option and double loopbacks (see [Table 20 on page 50](#))
- Special Loopback (SPLB) options (see “[Special Loopback Commands](#)” on page 51) and the following command tables:
 - Addressable Repeater Loopback commands: A1LB, A2LB, A5LB (see [Table 21 on page 55](#))
 - Addressable Repeater Loopback commands: A3LB, A4LB ([Table 22 on page 57](#))

Loopback commands can be initiated by:

- Selecting the loopback type using the MODE and LBK buttons on the H2TU-C front panel (or the manual loopback [LBK] pushbutton on the H2TU-R)
- Selecting the loopback type from the Monitor Menu when connected to the craft port of the H2TU-C or H2TU-R
- Entering the loopback code into the test equipment connected to the H2TU-C or H2TU-R

GENERIC LOOPBACK COMMANDS

The HiGain HDSL2 Generic Loopback (GNLB) commands allow you to use inband codes to loop up either NLOC (4-in-7) or NREM (3-in-7) towards the network. In addition, these inband codes loop up CREM (6-in-7) or CLOC (5-in-7) towards the customer. Either loopup condition can be terminated (looped down) with the 3-in-5, SMJK loopdown code. All inband codes must be present for at least 5 seconds before the HiGain HDSL2 system responds. TLOS is a logic loopback caused by loss of the DS1 input from the CI.

[Figure 30](#) summarizes the available loopbacks in the system, and [Table 20 on page 50](#) summarizes the HiGain HDSL2 generic loopback commands.

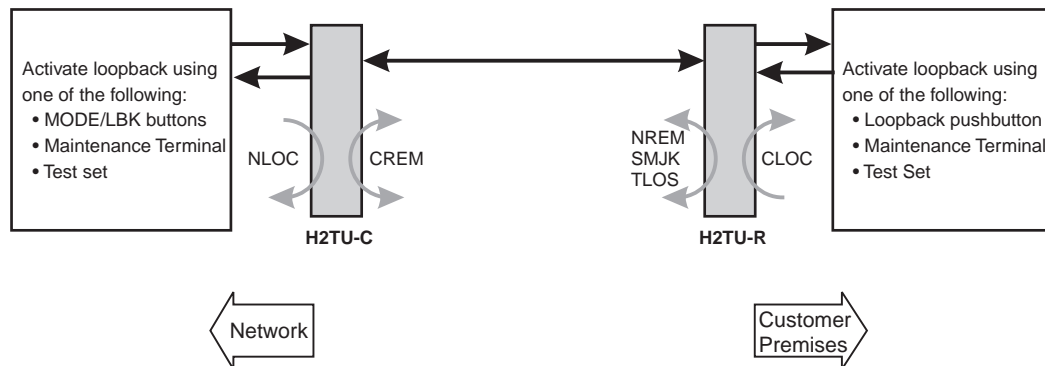


Figure 30. Loopback Summary

Table 20. Summary of HiGain HDSL2 Loopback Codes and Activation Methods

Loopback	Code	Description	Method of Activation		
			Test Set	Craft Port	MODE/LBK
NLOC	1111000 4-in-7	DSX-1 signal is looped back to the network at the H2TU-C.	X	X	X
NREM	1110000 3-in-7	DSX-1 signal is looped back to the network at the H2TU-R.	X	X	X
CLOC	1111100 5-in-7	DS1 signal from the customer is looped back to the customer at the H2TU-R.	X	X	X
CREM	1111110 6-in-7	DS1 signal from the customer is looped back to the customer at the H2TU-C.	X	X	X
COLB		Dual loopback at H2TU-C. DSX-1 signal is looped back to the network at the H2TU-C and DS1 signal from the customer is looped back to the customer at the H2TU-C.			X
RULB		Dual loopback at H2TU-R. DSX-1 signal is looped back to the network at the H2TU-R and DS1 signal from the customer is looped back to the customer at the H2TU-R.			X
SMJK LpUp (PL)	11000 2-in-5	SmartJack Loopup or NID payload (PL) code. Invokes H2TU-R loopback towards network.	X		
SMJK LpUp (ESF-DL)	1111-1111- 0100-1000	SmartJack Loopup or NID (ESF-DL) code. Invokes H2TU-R loopback towards network.	X		
SMJK LpDn (PL)	11100 3-in-5	SmartJack Loopdown or NID payload (PL) code. Removes SMJK, NLOC, NREM, CLOC, CREM, CRGx, and NRGx.	X		
SMJK LpDn (ESF-DL)	1111-1111- 0010-0100	SmartJack Loopdown or NID (ESF-DL) code. Removes SMJK, NLOC, NREM, CLOC, CREM, CRGx, and NRGx.	X		



HiGain HDSL2 systems feature the SmartJack option which can emulate a Network Interface Device ((NID) for loopback testing of the HiGain HDSL2 circuit. SMJK and NREM loopbacks perform the same functions, but their initiation differs. SMJK indicates that the loopback was initiated by the 2-in-5 inband command. NREM, on the other hand, is initiated by the 3-in-7 inband command, or by a command issued from the maintenance terminal.

Use the inband commands to enable or disable the SMJK loopback options. The H2TU-C system setting is normally enabled to recognize all inband SmartJack loopback commands.

SPECIAL LOOPBACK COMMANDS

In addition to the GNLB loopback command mode, a HiGain HDSL2 system can be configured for special loopback command modes. These are selected by configuring the unit for the desired loopback mode (Config menu, Special Loopback Mode option) from the maintenance terminal Monitor screen. Once a loopback mode is activated, other loopback commands can be sent by a test set connected to the craft port of the H2TU-C or H2TU-R (see [Table 21 on page 55](#) and [Table 22 on page 57](#) for list of SPLB commands).

A1LB through A5LB are five special, addressable, repeater loopback modes which are supported by the H2TU-C-388 List 1F. These loopback modes provide the HiGain HDSL2 system with sophisticated maintenance and troubleshooting tools. A1LB, A2LB, and A5LB are patterned after the Teltrend addressable DS1 repeater loopbacks. A3LB and A4LB are patterned after the Wescom addressable DS1 repeater loopbacks. All five SPLBs have been enhanced to handle the specific requirements of the following HiGain HDSL2 customers:

- A1LB (Teltrend) = Southwestern Bell
- A2LB (Teltrend) = Southwestern Bell
- A3LB (Wescom) = New England Telephone, Bell Atlantic
- A4LB (Wescom Mod 1) = New York Telephone
- A5LB (Teltrend Mod 1) = Southern New England Telephone (SNET), Southwestern Bell, Pacific Bell

The A1LB loopback selection complies with that proposed for HDSL2 systems in the DS1E1.4/92 recommendation with the following additions:

- Query loopback
- IOR (Intelligent Office Repeater) power-down
- Four loopback time-out choices
- Initiation from either end
- Repeating bit error signatures
- Alternate query loopback

These additions make A1LB identical to A2LB. A1LB is given a separate identity to allow future DS1/E1 enhancements to be added without affecting A2LB.

A5LB differs from A2LB in that A5LB does not block the arming code from exiting the H2TU-C-388 into the network. A1LB and A2LB can be configured to do one of the following:

- Block the arming code (after 2 seconds) from exiting the H2TU-C into the network, and replace it with the AIS code.
- Unblock the AIS code by executing the Far End Activate code. (Since A5LB never blocks the arming code from exiting the H2TU-C, the Far End Activate code is not available in A5LB.)

A3LB differs from A4LB in that A3LB supports the additional (1-in-6) SMJK loopback command.

MANUAL LOOPBACK SESSION

A manual loopback session allows you to select any one of the HiGain HDSL2 loopbacks listed in [Table 20 on page 50](#) with the exception of SmartJack loopbacks, which can only be issued by inband commands.

Setting the Loopback Time-Out Option

Before initiating a loopback session, verify that the Loopback Time-out parameter is set to the desired setting. (See [Table 5 on page 16](#) for a description of this option.)

- 1 Logon to the maintenance terminal screens.
- 2 Select **Config**, the **Standard Options**, then **LBTO**.
- 3 Verify the LBTO setting.

Activating Manual Loopback Mode



With the exception of SmartJack, any of the HiGain HDSL2 loopbacks can be executed using the **MODE** and **LBK** buttons.

When executing a manual loopback session using the **MODE** and **LBK** buttons:

- The next loopback option can be displayed by pressing the **MODE** pushbutton, however, the previously activated loopback remains active until the **LBK** pushbutton is pressed, which activates the new loopback.
- If neither pushbutton is pressed for a period of 30 seconds and no loopback is in effect, the manual loopback session terminates, and the display returns to normal mode.
- If any loopback is in effect, the 30-second time-out is inhibited. The active loopback and the manual loopback sessions continue until the loopback times out in accordance with the **LBTO** setting.
- If there is an active loopback, pressing the **MODE** and **LBK** buttons for 5 or more seconds terminates any active loopback, ends the manual loopback session, and returns the display to normal mode.

To initiate a manual loopback session:

- 1 Press both the **MODE** and **LBK** buttons on the front panel for at least 3 seconds. The following message appears on the front-panel display:

```
MAN LPBK NLO?
```

- 2 Press **LBK** to activate **NLOC**. The display changes to `MAN LPBK NLOC`.
- 3 Press **MODE** to advance to the next available loopback:
 - `NRE? = NREM`
 - `CRE? = CREM`
 - `CLO? = CLOC`
 - `COL? = dual loopback at H2TU-C.`
 - `RUL? = dual loopback at H2TU-R.`
- 4 Press **LBK** to activate the selected loopback. The previous loopback is terminated.

Once a loopback is selected and activated, the loopback stays active until it times out (based on the **LBTO** setting). When a loopback times out, the display returns to the normal display mode.

You can terminate loopbacks manually and exit the MAN LPBK mode by simultaneously pressing the MODE and LBK buttons for 3 or more seconds. If no loopback is active, the MAN LPBK mode automatically terminates after 30 seconds.

All loopbacks can be initiated by inband commands in the DS1 payload or by a command from the HiGain HDSL2 system (front-panel buttons or maintenance screen selections). Therefore, whenever a loopback is active, the method by which it was activated is indicated in the Loopback and Status screens by the annotation HG or PL adjacent to the identified loopback. For example, NREM-HG indicates that the loopback was initiated by the HiGain HDSL2 system.



SMJK loopback commands are only activated by inband commands. Dual loopback commands are only activated by the front-panel buttons or maintenance screen selections.

LOOPBACK TEST PROCEDURES

The following sections provide step-by-step test procedures for verifying the integrity of the HDSL2 channels at every module location as well as the DS1 channels to the customer and the local DSX-1 interface.

General Troubleshooting Tips

If trouble is encountered on the DSX-1 interface of the H2TU-C, verify that the:

- H2TU-C is making a positive connection with its mounting assembly (shelf) connector.
- H2TU-C internal equalizer is set to the correct distance range per [Table 5 on page 16](#). All equalizers should be set to the distance from the DSX-1 to the shelf.

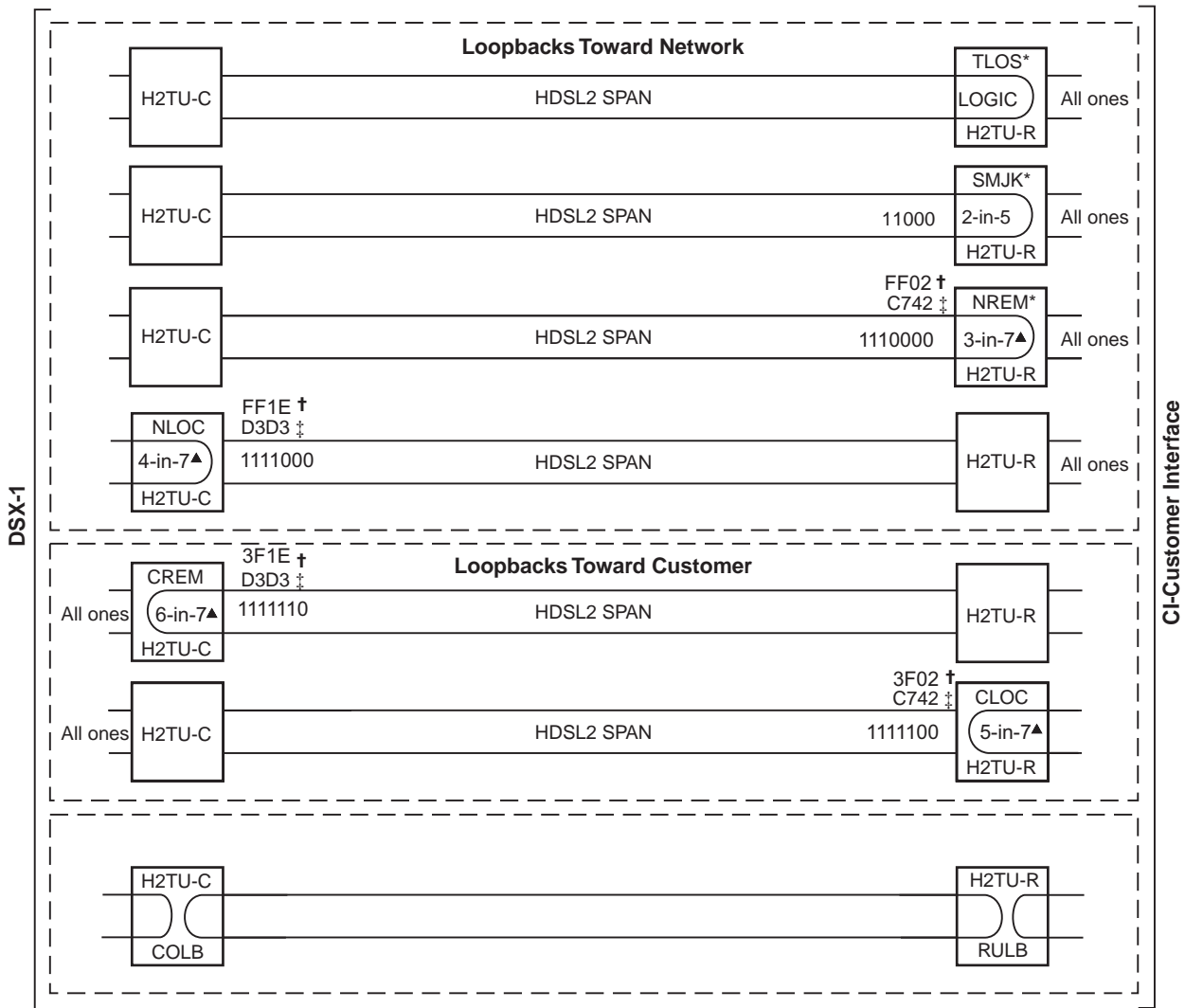
The transmit (XMT) and receive (RCV) DSX-1 ports have miniature 210-series bridging (BRG) jacks, as shown in [Figure 1 on page 3](#). The BRG jacks can be used to send and receive DSX-1 test patterns.

GNLB Test Procedures

[Figure 31 on page 54](#) is a graphical representation of the various loopback configurations with the associated GNLB commands shown. Also, refer to [Table 20 on page 50](#) for a description of these commands.

To perform the GNLB loopback test procedure:

- 1 Have the CO tester send the NREM (3-in-7) inband loopup code for 5 seconds. You should be able to observe the NREM message on the front-panel display. (The Status LED on the front panel should be green, and the loopback mode should also be identified on the Span Status screen.)
- 2 Have the CO tester transmit a DS1 test signal towards the H2TU-C and verify that the returned (looped) signal to the test set is error-free.
- 3 If step 2 fails, have the CO tester transmit the 3-in-5 inband loopdown code.
- 4 Have the CO tester send the NLOC (4-in-7) inband loopup for 5 seconds. You should be able to observe the NLOC message on the front-panel display. (The Status LED on the front panel should be yellow, and the loopback mode should also be identified on the Span Status screen.)
- 5 Repeat Step 2. If the test passes, the problem is in the downstream direction. If it fails, the problem is in the upstream direction.



* Set the NLBP option to AIS to send AIS (indicated by an all ones pattern) for any network loopback.

† A3LB and A4LB loopback codes.

‡ A1LB, A2LB, and A5LB loopback codes.

▲ GNLB loopback codes.

Figure 31. Loopback Modes

A1LB, A2LB, and A5LB Test Procedures

Using the codes listed in [Table 21](#), a network tester can activate NLOC or NREM loopbacks (or SMJK, if enabled). A tester at the customer premises can activate CLOC or CREM loopbacks.

Following [Table 21](#) is a step-by-step test procedure for verifying the integrity of the HDSL2 channels at every module location as well as the DS1 channels to the customer and the local DSX-1 interface.

Table 21. *Addressable Repeater Loopback Commands (A1LB, A2LB, A5LB)*

Loopback	Binary Code ^(a) (Hexadecimal Equivalent)	Description
ARMING or NI LPBK (inband)	11000-11000 ...	Arming code
ARMING or NI LPBK (ESF Data Link)	1111-1111-0100-1000 (FF48)	Arming code
IR LPDN or DISARM (inband)	11100-11100 ...	Disarming code
IR LPDN or DISARM (ESF Data Link)	1111-1111-0010-0100 (FF24)	Disarming code
IOR LPBK (NLOC or CREM 230-232 bit errors and 229-231 bit errors) ^(b)	1101-0011-1101-0011 (D3D3)	NLOC—DSX-1 signal is looped back to the network at the H2TU-C. CREM—Signal from customer is looped back to the customer at the H2TU-C.
ILR-2 LPBK (20 bit errors) ^(c)	1100-0111-0100-0010 (C742)	NREM—DSX-1 signal is looped back to the network at the H2TU-R. CLOC—Signal from customer is looped back to the customer at the H2TU-R.
IR LPDN (except SMJK)	1001-0011-1001-0011 (9393)	Loopdown (H2TU-C or H2TU-R)
IR QUERY LPBK	1101-0101-1101-0101 (D5D5)	Query loopback
IR ALTERNATE QUERY LPBK	1101-0101-1110-1010 (D5EA)	Alternate query loopback
TIME-OUT OVERRIDE	1101-0101-1101-0110 (D5D6)	Loopback time-out override
FAR END NI ACTIVATE (A1LB and A2LB only) ^(d)	1100-0101-0101-0100 (C554)	Unblock AIS
IOR POWER DOWN (H2TU-C) ^(e)	0110-0111-0110-0111 (6767)	Removes HDSL2 line power

- (a) The leftmost bit arrives first in all sequences. The detection algorithm functions reliably with a random 10^{-3} Bit Error Rate (BER) on the facility. The entire arming and loopback sequence can also be initiated at the remote H2TU-R location.
- (b) The H2TU-R identifies CREM (and the H2TU-C identifies NLOC) with 231 bit errors, excluding the frame bits. When framed data is being sent in the AUTO framing mode, the number of the 231 bit errors detected by the test set varies from 229 to 231, depending on whether or not the test set counts frame errors as bit errors, and on the number of frame bits contained in the block of 231 error bits. The H2TU-R and H2TU-C generate this bit pattern in a series of discontinuous bursts containing 20-bit errors each, excluding frame bits. Those test sets that do not count frame error bits as data bit errors will indicate fewer bits than the H2TU-R and H2TU-C transmit for a CI and NI loopback.
- (c) The H2TU-R is assigned the ILR-2 loopback code. It responds with 20 bit errors (excluding the frame bits).
- (d) Allows the NIU Activate Command that originates at the H2TU-R to pass through uninhibited toward the network and is always enabled. No option to disable.
- (e) The IOR Power Down code must remain present for the duration of the powerdown mode. When this code is removed, the HiGain HDSL2 system returns to its normal unlooped and unarmed state.

To perform the A1LB, A2LB, and A5LB loopback test procedures:

- 1 Send the inband Arming and NI LPBK code 11000 to the H2TU-C for at least 5 seconds.
- 2 Monitor the output of the H2TU-C for the return of the pattern. Return of the pattern indicates one of the following:
 - The H2TU-R has looped up (if the SMJK Loopback option is enabled)
 - An external NID has looped up (if the SMJK Loopback option is disabled), and the H2TU-C and H2TU-R have been armed.
- 3 Verify, if possible, that the H2TU-R Loopback LED is either flashing yellow four times per second (indicating that the system is armed), or is a steady yellow (indicating that it is both armed and in SMJK loopback). The H2TU-C Status LED also flashes yellow when the system is armed.



If the Arming code is not returned after 5 seconds, the system may be armed, but there is no active loopback.

- 4 Once armed, the H2TU-C can be looped back by sending Intelligent Office Repeater (IOR) LPBK activation code 1101-0011-1101-0011 (D3D3) for at least 5 seconds. You should observe the following activation response pattern:
 - a 2 seconds of AIS (an all ones pattern)
 - b 2 seconds of returning data pattern
 - c Logic errors (including the frame bit) occurring in the returned pattern comprising:
 - 231 errors, if IOR LPBK (H2TU-C) was sent
 - 20 errors, if ILR-2 (H2TU-R) was sent
 - d Normal looped data

This error pattern repeats every 20 seconds as long as the IOR loopback pattern is being sent. This also applies to ILR, Time-out Override, and Query commands.

The H2TU-C is now in logic loopback if the IOR NLOC loopback command was sent. The Time-out Override command or a Loopdown command can override the selection made for the loopback time-out. If the Time-out Override code 1101-0101-1101-0110 (D5D6) is received after activating a loopback, then the automatic timed expiration of the loopback is inhibited. If this Time-out Override is sent, then the only way to loop the H2TU-C down is to do one of the following:

- Issue the IR loopdown ((LPDN) code 1001-0011-1001-0011 (9393)
- Issue the NI LPDN and Disarm inband code 11100 or the ESF-DL code (FF24).



The Time-out Override function is only valid for the current active loopback. The automatic time-out timer is restored during subsequent loopback sessions.

- 5 Once the test is complete, do one of the following:
 - If the system is to loop down but remain Armed, send the IR LPDN code.
 - If all the equipment is to be looped down, disarmed, and returned to normal operation, send the disarm inband code 11100 or the ESF-DL code (FF24).



The Armed mode has an automatic time-out of 120 minutes, but this timer is reset to 120 for any of the following events:

- Loopback terminates (manually or time-out)
- Query
- Alternate query
- Far End activate
- Another ARM command

This timer is inhibited while any of the valid command codes are being sent. Once the codes are removed, the timer restarts at 120.

A3LB and A4LB Test Procedures

The H2TU-C-388 can be looped back by sending the Addressable Office Repeater ((AOR) LPBK activation code 1111-1111-0001-1110 (FF1E) for at least 5 seconds. This causes the H2TU-C to enter the NLOC state. The Loopback Time-out setting determines the duration of this loopback unless it is overridden by the reception of a second identical 16-bit loopup command before the timer expires. When this time-out override state exists, the only way to loop the H2TU-C down is to issue one of the three loopdown commands listed in Table 22. The automatic time-out mode is restored during subsequent loopback sessions.

Table 22 summarizes the codes required to execute Addressable 3 and 4 (A3LB and A4LB) repeater loopback commands. All code sequences must be present for at least 5 seconds.

Table 22. Addressable Repeater Loopback Commands (A3LB and A4LB)

Name	Binary Code ^(a) (Hexadecimal Equivalent)	Description
NLOC	1111-1111-0001-1110 (FF1E)	H2TU-C loopup from NI
CREM	0011-1111-0001-1110 (3F1E)	H2TU-C loopup from CI
NREM	1111-1111-0000-0010 (FF02)	H2TU-R loopup from NI
CLOC	0011-1111-0000-0010 (3F02)	H2TU-R loopup from CI
SMJK	11000-11000-11000 ...	H2TU-R loopup from NI
SMJK	100000 100000 100000 ...	H2TU-R loopup from NI ^(b)
SMJK	1111-1111-0100-1000 (FF48)	H2TU-R loopup from NI (ESF-DL)
Loopdown	11100-11100-11100 ...	H2TU-C and H2TU-R loopdown from NI OR CI
Loopdown	100-100-100 ...	H2TU-C and H2TU-R loopdown from NI OR CI
Loopdown	1111-1111-0010-0100 (FF24)	H2TU-C and H2TU-R loopdown from NI OR CI (ESF-DL)

(a) The leftmost bit arrives first in all sequences. The detection algorithm functions reliably with a random 10^{-3} Bit Error Ratio (BER) on the facility. The entire arming and loopback sequence can also be initiated at the remote H2TU-R location.

(b) Not supported by A4LB.

TESTING WITH THE H2TU-R SIGNAL GENERATOR

The H2TU-R Signal Generator screen allows transmission of a test signal from the H2TU-R toward either the CI or the network.

- 1 Press **R** to logon remotely, then press **C** to select the Config menu.
- 2 Use the **↑** and **↓** arrow keys to select **Signal Generator** and press **ENTER**.
- 3 Use the arrow keys to select an option and press the **SPACEBAR** to cycle through the available settings. Refer to [Table 23](#) for a list of signal generator option settings.
- 4 Press **ENTER** to activate your choice.
- 5 Press **R** to return to the H2TU-C logon screen. You can exit the Signal Generator screen while signal generation is active.

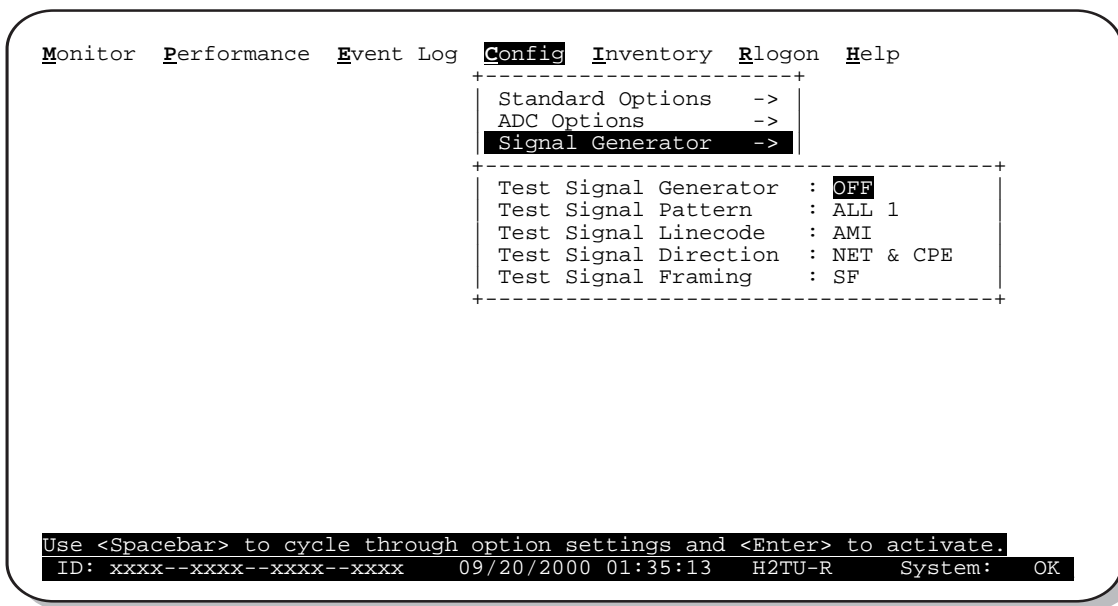


Figure 32. H2TU-R Signal Generator Screen

Table 23. Signal Generator Option Settings

Option	Settings
Test Signal Generator	On or Off
Test Signal Pattern	All ones, all zeroes, 2 ²³⁻¹ pseudo random, 2 ²⁰⁻¹ pseudo random, 2 ¹⁵⁻¹ pseudo random, 1:7 pattern, 2:8 pattern, 3:24 pattern
Test Signal Line Code	AMI or B8ZS
Test Signal Direction	Toward CPE or toward NET & CPE only
Test Signal Framing	SF, ESF, UNFR

APPENDIX A - SPECIFICATIONS

Power

Line Voltage	0, -185 Vdc
CO Supply	-48 Vdc nominal (-42.5 Vdc to -56.5 Vdc) (See "Power Consumption" and "Maximum Power Dissipation" and "Maximum Current Drain" on page 60.)
Electrical Protection	Secondary surge and power cross-protection on HDSL2 ports. Requires external primary protection.
Fusing	Internal; connected to fuse alarm output on pin 117

Environmental

Operating Temperature	-40 °F to +149 °F (-40 °C to +65 °C)
Operating Humidity	5% to 95% (non-condensing)

Physical

Height	3.62 in. (9.2 cm)
Width	0.69 in. (1.8 cm)
Depth	10 in. (25.4 cm)
Weight	0.5 lb. (.23 kg)
Mounting	DDM+ high-density shelf

HDSL2

Line Impedance	135 Ω
Line Rate	1.552 Mbps OPTIS
Transmission	Full duplex
Media	One non-loaded, copper, two-wire cable pair
Output	+16.8 dBm \pm 0.5 dB at 135 Ω (0-450 kHz) at CO side; +16.5 dBm \pm 0.5 dB at 135 Ω (0-350 kHz) at remote side
Maximum Loop Attenuation	35 dB at 196 kHz, 135 Ω (See Table 25 on page 61 for HDSL2 cable attenuation information.)
Start-up Time	30 sec. (typical), 1 min. (maximum) per span

DSX-1

Line Impedance	100 Ω
Line Rate	1.544 Mbps \pm 200 bps
Line Code	Alternate Mark Inversion (AMI) or Bipolar with 8-Zero Substitution (B8ZS)
Frame Format	Extended Super Frame (ESF), Super Frame (SF), or Unframed (UNFR)
Pulse Output	6 V ^{pk-pk} pre-equalized for 0-655 feet of ABAM cable
Input Level	+1.5 to -7.5 dB DSX

System

One-way DS1 Delay	<400 μ s
Wander (Looped)	Meets MTIE T1.101 requirements
Wideband Jitter (Looped)	0.2 UI maximum
Narrowband Jitter (Looped)	0.1 UI maximum

POWER CONSUMPTION

The three most important power parameters of an H2TU-C are its maximum power consumption, its maximum power dissipation, and its maximum current drain.

Table 24 describes line- and local-powered circuits on 9 kft, 26 AWG loops.

Table 24. H2TU-C Power Parameters

	-48 Vdc Power Consumption (Watts)	Heat Dissipation (Watts)	-42.5 Vdc Current (mA)
Remote Power Source	Maximum	Maximum	Maximum
Line-powered	10.3	5.7	242.0
Local-powered	4.0	4.0	94.0

MAXIMUM POWER DISSIPATION

The Maximum Power Dissipation measures the power that is converted into heat that builds up within the unit. It contributes to the total heat generated in the space around the unit. It is used to determine the maximum number of fully loaded shelves per bay that does not exceed the maximum allowable power dissipation density in watts per square foot to comply with GR-63.

In COs, the maximum power dissipation for open-faced, natural convection-cooled mountings is limited to 134.7 watts per square foot in accordance with GR-63-CORE. The footprint of a standard 28-slot, 23-inch HMS-317 shelf is

7.024 square feet. Therefore, the maximum bay dissipation is limited to 946 watts. Use this limit and the parameters in Table 24 to determine the maximum number of H2TU-C circuits that can occupy one CO bay.



This is a worst case situation since it assumes the entire CO is subjected to the maximum power density. More favorable conditions would permit increasing the number of shelves per bay without jeopardizing the CO thermal integrity.

The thermal loading limitations imposed when using the H2TU-C in a Controlled Environmental Vault (CEV) or other enclosures are determined by applying its power parameters to the manufacturer's requirements for each specific housing.

The -48 Vdc Power Consumption is the maximum total power that the H2TU-C consumes or draws from the shelf power source. This parameter is needed when the H2TU-C is in a location remote to the CO it is serving. It determines the battery capacity required to maintain an 8-hour, standby battery reserve for emergency situations. Battery capacity, therefore, limits the maximum number of line units which can be installed in a remote enclosure. Use the data in Table 24 to perform this analysis.

MAXIMUM CURRENT DRAIN

The Maximum Current Drain is the maximum current drawn from the shelf power supply when it is at its minimum voltage (-42.5 Vdc). This determines the shelf fusing requirements. Use the -42.5 Vdc current data in Table 24 to determine the shelf fusing requirements for your particular H2TU-C applications.

LOOP ATTENUATION

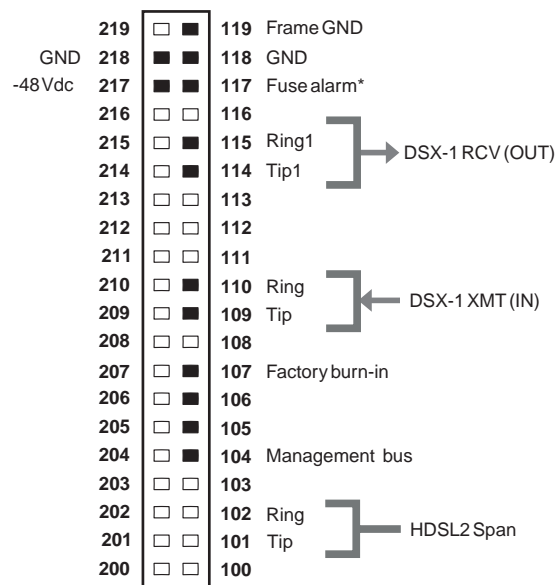
Each loop has no more than 35 dB of loss at 196 kHz, with driving and terminating impedances of 135 Ω (see Table 25 below).

Table 25. HDSL2 Cable Attenuation Chart

Cable Gauge	Loss at 196 kHz (dB/kft)	Ω per kft
26/0.4 mm	3.88	83
24/0.51 mm	2.84	52
22/0.61 mm	2.18	32
19/0.91 mm	1.54	16

H2TU-C-388 LIST 1F CARD-EDGE CONNECTOR

Figure 33 shows the card-edge connectors on the H2TU-C-388 List 1F. Active pins are highlighted in black.



* Fuse alarm is normally floating (0 to 80 V max.) and at -48 V (10 mA max.) when activated.

Figure 33. H2TU-C-388 List 1F Card-Edge Connector

Network Management Control Bus

The H2TU-C provides a Network Management Control Bus on pin 104 of the card-edge connector. This allows the various ADC Management System protocols to manage the H2TU-C through the HMU-319 HiGain Management Unit. Whenever the H2TU-C is under management, the MNGD message displays periodically on the front-panel display.



Some H2TU-C-388 List 1F features are affected when it is under management. Consult the management unit practice for further information (see “Appendix D - Product Support” on page 65).

Fuse Alarm

Pin 117 on the card-edge connector is a Fuse Alarm that is driven to -48 Vdc whenever the onboard fuse opens.

CRAFT PORT

Figure 34 shows the craft port 210-to-DB-9 adapter and the serial cable connection to a DB-9 or DB-25 connector on a maintenance terminal.

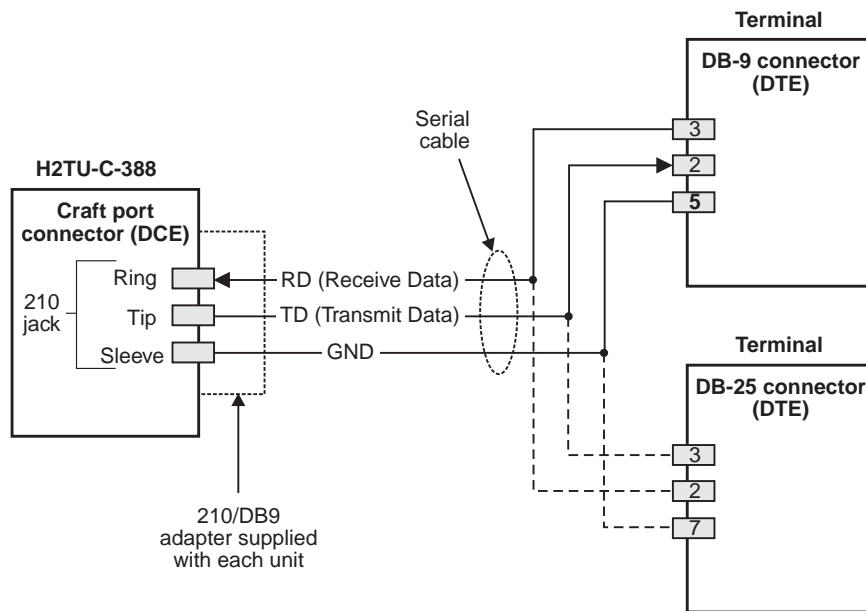


Figure 34. Craft Port 210-to-DB-9 Adapter and Serial Cable Connection to a Maintenance Terminal

APPENDIX B - FUNCTIONAL OPERATION

ADC HDSL2 technology provides full-duplex services at standard T1 rates over copper wires between an H2TU-C and an H2TU-R, which comprise one HiGain HDSL2 system. HiGain HDSL2 systems use ADC Overlapped Pulse Amplitude Modulation (PAM) Transmission with Interlocking Spectra (OPTIS) transceiver systems to establish full-duplex, 1.552 kbps data channels between the H2TU-C-388 and a remotely located H2TU-R.

Figure 35 shows a block diagram of the H2TU-C-388 List 1F. The H2TU-C-388 receives a 1.544 Mbps DSX-1 data stream from the DSX-1 digital cross-connect interface. The H2TU-C contains a DS1 frame synchronizer controlled by an 8-bit microprocessor that determines the type of framing on the DS1 stream and synchronizes with it. The H2TU-C recognizes Superframe (SF), including D4, or Extended Superframe (ESF) framing.

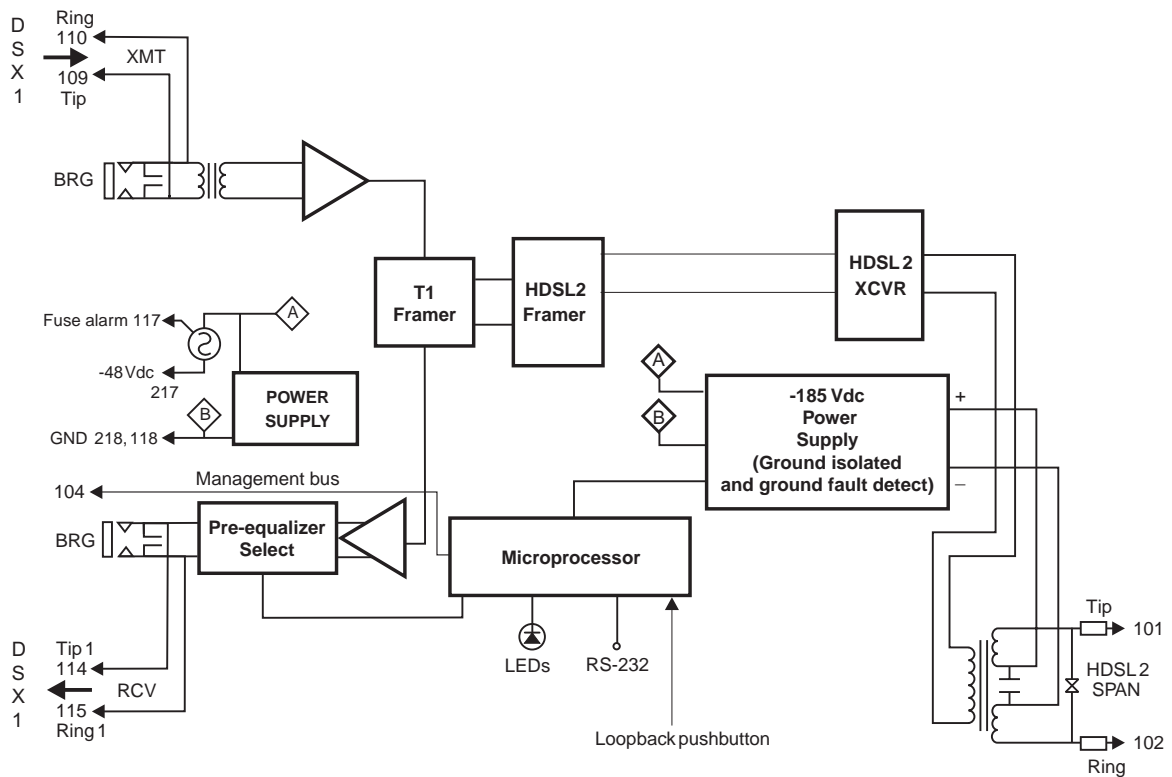


Figure 35. H2TU-C-388 List 1F Block Diagram

TIMING

The low loop wander (0.3 UI max) of an H2TU-C, when used with compatible remote units, allows the circuit to be used in all critical timing applications, including those that are used to transport Stratum 1 timing.

GROUND FAULT DETECT

The H2TU-C has a Ground Fault Detect (GFD) circuit which detects a ground or a resistive path to ground on any wire of the HDSL2 loop. This makes the product compliant with the Class A2 requirements of GR-1089.

APPENDIX C - COMPATIBILITY

The HiGain HDSL2 system uses HDSL2 transmission technology as recommended by ANSI committee in compliance with ANSI T1.418-2000 HDSL2 standards. HiGain HDSL2? complies with GR-63-CORE, TR-TSY-000499, and GR-1089-CORE.

The H2TU-C-388 List 1F is compatible with the following DDM+ high-density shelves and associated equipment:

- ADC HCS-402, 2-slot shelf with #150-1193-01 adapter
- Shelf (23-inch)
 - Larus FT2 1188 (28-slot, connectorized)
 - AT&T DS1 Ext. (28-slot, connectorized)
- Cabinet Distant Terminal (23-inch)
 - Larus FT2 1190 (12 slots) for a 51A cabinet.

APPENDIX D - PRODUCT SUPPORT

ADC Customer Service Group provides expert pre-sales and post-sales support and training for all its products.

TECHNICAL SUPPORT

Technical support is available 24 hours a day, 7 days a week by contacting the ADC Wireline Systems Division Customer Service Engineering Group at one of the following numbers:

Telephone: 800.638.0031 or 714.730.3222
The 800 telephone support line is toll-free in the U.S. and Canada.

Fax: 714.832.9924

A Customer Service Engineer answers technical assistance calls Monday through Friday between 7:30 AM and 5:30 PM, Pacific Time, excluding holidays. At all other times, an on-duty Customer Service Engineer returns technical assistance calls within 30 minutes.

RETURNS

To return equipment to ADC Wireline Systems Division:

- 1 Locate the number of the purchase order under which the equipment was purchased. You will need to provide this number to ADC Wireline Systems Division Customer Service to obtain a return authorization.
- 2 Call or write ADC Wireline Systems Division Customer Service to ask for a Return Material Authorization (RMA) number and any additional instructions. Use the telephone number, fax number, or email address listed below:
 - Telephone: 800.370.9670
 - Fax: 714.832.9923
 - Email Address: rma@adc.com
- 3 Include the following information, in writing, along with the equipment you are returning:
 - Company name, address, and the name of a person Customer Service can contact regarding this equipment.
 - The purchase order number provided to Customer Service when the RMA number was requested.
 - A description of the equipment, as well as the number of units that you are returning. Be sure to include the model and part number of each unit.
 - The shipping address to which Customer Service should return the repaired equipment.
 - The reason for the return:
 - The equipment needs an ECO/ECN upgrade.
 - The equipment is defective.



If the equipment is defective, please tell us what you observed just before the equipment malfunctioned. Be as detailed in your description as possible.

- If there is another reason for returning the equipment, please let us know so we can determine how best to help you.
- 4 Pack the equipment in a shipping carton.
 - 5 Write the ADC Wireline Systems Division address and the RMA Number you received from Customer Service clearly on the outside of the carton:

ADC Wireline Systems Division
14352 Franklin Ave.
Tustin, CA 92780-7013

Attention: **RMA (Number)**



All shipments are to be returned prepaid. ADC will not accept any collect shipments.

APPENDIX E - ABBREVIATIONS

A

ACO:	Alarm CutOff
ACON:	Auto Conversion
ADSL:	Asymmetrical Digital Subscriber Line
AIS:	Alarm Indication Signal
AIS-CI:	Alarm Indication Signal-Customer Installation
ALM:	Alarm
ALMP:	Alarm Pattern
ANSI:	American National Standards Institute
AOR:	Addressable Office Repeater
ARM:	Armed
AUTO:	Auto-Framing Mode
AWG:	American Wire Gauge

B

BER:	Bit Error Rate
BPV:	Bipolar Violation
BPVT:	Bipolar Violation Transparency
BRG:	Bridge

C

CEV:	Controlled Environmental Vault
CI:	Customer Interface
CLEI:	Common Language Equipment Identifier
CLOC:	Customer Local Loopback
CO:	Central Office
CONV:	Conversion
CPE:	Customer Premises Equipment
CRC:	Cyclical Redundancy Check
CREM:	Customer Remote Loopback
CRG:	Customer Regenerator
CSA:	Carrier Service Area
CV:	Code Violation
CV-P:	Code Violation-Path

D

DBER:	DS1 Bit Error Rate
DDS:	Digital Data Service
DL:	Datalink
DLC:	Digital Loop Carrier
DSX-1:	Digital Signal Cross-Connect, Level 1

E

ECI:	Equipment Catalog Item
EQL:	Equalization
ES:	Errored Seconds
ESD:	Electrostatic Discharge

ES-L:	Errored Seconds-Line
ES-P:	Errored Seconds-Path
EXZ:	The occurrence of 8 consecutive zeroes for B8ZS or 16 for AMI.

F

FCON:	Frame Conversion
FDL:	Frame Bit for Datalink, Facility Datalink
FE:	Far End
FPS:	Framing Pattern Sequence

H

HCDS:	High Capacity Digital Service
HCS:	HiGain Card Shelf
HDSL:	High-Bit-Rate Digital Subscriber Line
HDSL2:	High-bit-rate Digital Subscriber Line 2
HG:	HiGain

I

ID:	Identification
ILR:	Intelligent Line Repeater
IN:	Transmit
IOR:	Intelligent Office Repeater
IR:	Intelligent Repeater

L

LA:	Loop Attenuation
LAIS:	Local Alarm Indication Signal
LBPV:	Local Bipolar Violation
LED:	Light Emitting Diode
LLOS:	Local Loss of Signal
LOS:	Loss of Signal
LOSW:	Loss of Sync Word
LPDN:	Loopdown
LPF:	Line Power Feed
LRAI:	Line RAI

M

MAL:	Margin Alarm
MNGD:	Managed
MSEC:	Monitored Seconds

N

NE:	Near End
NEBS:	Network Equipment-Building System
NI:	Network Interface
NID:	Network Interface Device

NLOC: Network Local Loopback
NMA: Network Management and Administration
NPRM: Network PRM
NREM: Network Remote Loopback
NRG: Network Regenerator
NTF: No Trouble Found

O

OOF: Out-of-Frame
OPTIS: Overlapped Pulse Amplitude Modulation Transmission with Interlocking Spectra
OUT: Receive

P

PBOC: Power Back Off Customer
PBON: Power Back Off Network
PL: Payload
POTS: Plain Old Telephone Service
PRM: Performance Report Messaging
PRM-FE: Performance Report Messaging-Far End
PRM-NE: Performance Report Messaging-Near End
PWRF: Power Feed

R

RAI: Remote Alarm Indication
RAI-CI: Remote Alarm Indication-Customer Installation
RAIS: Remote Alarm Indication Signal

RDA: Remote Disconnect Alarm
RLOS: Remote Loss of Signal
RMA: Return Material Authorization
ROVR: RAI Overwrite
RRAI: Remote RAI

S

SDSL: Symmetrical Digital Subscriber Line
SES: Severely Errored Seconds
SES-L: Severely Errored Seconds-Line
SES-P: Severely Errored Seconds-Path
SF: SuperFrame
SMJK: SmartJack
SNET: Southern New England Telephone
SPLB: Special Loopback
SPRM: Supplemental PRM

T

TLOS: Transmit Loss of Signal

U

UAS: Unavailable Seconds
UAS-P: Unavailable Seconds-Path
UNFR: Unframed

X

XMT: Transmit

CERTIFICATION AND WARRANTY

FCC CLASS A COMPLIANCE

This equipment has been tested and found to comply with the limits for a Class A digital device, pursuant to Part 15 of the FCC Rules. These limits are designed to provide reasonable protection against harmful interference when the equipment is operated in a commercial environment. This equipment generates, uses, and can radiate radio frequency energy and, if not installed and used in accordance with the instruction manual, may cause harmful interference to radio communications. Operation of this equipment in a residential area is likely to cause harmful interference in which case the user will be required to correct the interference at his own expense.

LIMITED WARRANTY

ADC DSL Systems, Incorporated (“ADC”) warrants that, for a period of sixty (60) months from the date of shipment, the hardware portion of its products will be free of material defects and faulty workmanship under normal use. ADC’s obligation, under this warranty, is limited to replacing or repairing, at ADC’s option, any such hardware product which is returned during the 60-month warranty period per ADC’s instructions and which product is confirmed by ADC not to comply with the foregoing warranty.

ADC warrants that, for a period of 90 days from the date of purchase, the software furnished with its products will operate substantially in accordance with the ADC published specifications and documentation for such software. ADC’s entire liability for software that does not comply with the foregoing warranty and is reported to ADC during the 90-day warranty period is, at ADC’s option, either (a) return of the price paid or (b) repair or replace of the software. ADC also warrants that, for a period of thirty (30) days from the date of purchase, the media on which software is stored will be free from material defects under normal use. ADC will replace defective media at no charge if it is returned to ADC during the 30-day warranty period along with proof of the date of shipment.

The transportation charges for shipment of returned products to ADC will be prepaid by the Buyer. ADC will pay transportation charges for shipment of replacement products to Buyer, unless no trouble is found (NTF), in which case the Buyer will pay transportation charges.

ADC may use reconditioned parts for such repair or replacement. This warranty *does not* apply to any product which has been repaired, worked upon, or altered by persons not authorized by ADC or in ADC’s sole judgment has subjected to misuse, accident, fire or other casualty, or operation beyond its design range.

Repaired products have a 90-day warranty, or until the end of the original warranty period—whichever period is greater.

ADC DISCLAIMS ALL OTHER WARRANTIES, EITHER EXPRESS OR IMPLIED, INCLUDING BUT NOT LIMITED TO IMPLIED WARRANTIES OF MERCHANTABILITY AND FITNESS FOR A PARTICULAR PURPOSE, WITH RESPECT TO ITS PRODUCTS AND ANY ACCOMPANYING WRITTEN MATERIALS. FURTHER, ADC DOES NOT WARRANT THAT SOFTWARE WILL BE FREE FROM BUGS OR THAT ITS USE WILL BE UNINTERRUPTED OR REGARDING THE USE, OR THE RESULTS OF THE USE, OF THE SOFTWARE IN TERMS OF CORRECTNESS, ACCURACY, RELIABILITY OR OTHERWISE.

MODIFICATIONS

Any changes or modifications made to this device that are not expressly approved by ADC DSL Systems, Inc. voids the user’s warranty. All wiring external to the products should follow the provisions of the current edition of the National Electrical Code.

STANDARDS COMPLIANCE

The H2TU-C-388 List 1F has been tested and verified to comply with the applicable sections of the following standards:

- GR 63-CORE - Network Equipment-Building System (NEBS) Requirements: Physical Protection
- GR 1089-CORE - Electromagnetic Compatibility and Electrical Safety

For technical assistance, refer to *“Appendix D - Product Support”* on page 65.

ADC DSL Systems, Inc.

14402 Franklin Avenue
Tustin, CA 92780-7013

Tel: 714.832.9922

Fax: 714.832.9924

Technical Assistance

800.638.0031

714.730.3222

