

Technical Assistance

PairGain Technical Assistance is available 24 hours per day, 7 days per week by contacting PairGain's Customer Service Engineering group.

During normal business hours (8:00 AM to 5:00 PM, Pacific Time, Monday through Friday, excluding holidays, technical assistance calls are normally answered directly by a Customer Service Engineer. At other times, a request for technical assistance is handled by an on-duty Customer Service Engineer through a callback process. This process normally results in a return call within 30 minutes of initiating the request.

In addition, PairGain maintains a computer bulletin board system for obtaining current information on PairGain products, product fault isolation tips and aids, helpful utilities, and for posting requests or questions. This system is available 24 hours per day by calling (714) 730-3299. Transmission speeds up to 28.8 kbps are supported with a character format of 8-N-1.

PairGain product, company, and application information can be found at <http://www.pairgain.com> using any Web browser.

Limited Warranty

PairGain Technologies, Inc. warrants its products to be free of defective and faulty workmanship for a period of 60 months, under normal use, from the date of shipment. PairGain's obligation under this warranty is limited to replacing or repairing, at PairGain's option, any such product that is returned during the warranty period per PairGain's instructions and which product, in PairGain's sole option, is determined to be defective upon examination at our plant.

Do not try to repair or disassemble the unit. If it fails, replace it with another unit and return the faulty unit to PairGain for repair. Any modifications of the unit by anyone other than an authorized PairGain representative will void the warranty.

If a unit needs repair, call PairGain at (800) 370-9670 for a Return Material Authorization (RMA) number and return the defective unit, freight prepaid, along with a brief description of the problem, to the PairGain Repair Center at 14352 Franklin Avenue, Tustin, CA 92780-7013.

PairGain will continue to repair or replace faulty modules beyond the warranty program at a nominal charge. Contact your PairGain sales representative for details and pricing.

FCC Compliance

This unit complies with the limits for Class A digital devices pursuant to Part 15 of the FCC rules. These limits are designed to provide reasonable protection against harmful interference when the equipment is operated in a commercial environment. This equipment generates, uses, and can radiate radio frequency energy and, if not installed and used in accordance with the instruction manual, can cause harmful interference to radio communications. Operation of this equipment in a residential area is likely to cause harmful interference, in which case the user will be required to correct the interference at his own expense.

Refer to the installation section of the appropriate instruction manual for the unit you are installing to get information on cabling, correct connections, and grounding.

Corporate Office:
14402 Franklin Avenue
Tustin, CA 92780
Tel: (714) 832-9922
FAX: (714) 832-9924

For Technical Assistance:
(800) 638-0031



Copyright © 1997 PairGain Technologies Inc.

PAIRGAIN
THE COPPEROPTICS COMPANY

Section Number 363-796-103-01, Revision 01, February 23, 1998

PG-FLEX CENTRAL OFFICE LINE UNIT STREAKER CARD QUICK REFERENCE GUIDE

MODEL FSU-796 LIST 3, P/N 150-1396-03

The PairGain® PG-Flex™ FSU-796 List 3 Central Office Line Unit (COLU) Streaker card is a continuity tester. The card verifies that the Tip and Ring connections from the line unit slots of a PG-Flex Central Office Terminal (COT) shelf (19" or 23") are wired correctly to the Central Office (CO) Main Distribution Frame (MDF).

Unpack and Inspect the Shipment

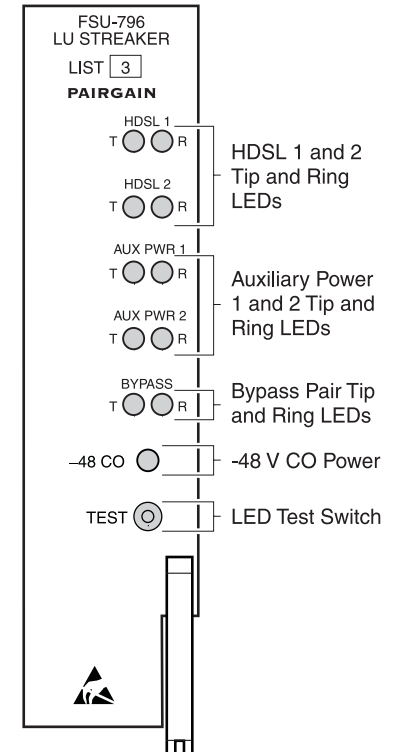
When you receive the PG-Flex FSU-796 List 3 Streaker Card:

- 1 Unpack the PG-Flex FSU-796 Streaker Card and visually inspect it for signs of damage. If the components have been damaged in transit, immediately report the extent of damage to the transportation company and to your sales representative. Order a replacement unit if necessary.
- 2 Compare the contents of the package against the packing list. If the shipment is incorrect, contact PairGain as described in the "Limited Warranty" section.

Features of the FSU-796

The illustration shows the FSU-796 List 3 front panel, and the table below describes the features and functions for the front panel LEDs.

Feature	Function
HDSL_1_T HDSL_1_R	Lights when the HDSL 1 and 2 Tip or Ring connector terminations from the MDF are shorted to ground.
HDSL_2_T HDSL_2_R	If the LED for the termination under test does not light, or the wrong LED lights, the termination is miswired. If the opposite LED lights, the termination is reversed.
AUX PWR_1_T AUX PWR_1_R	Lights when the AUX PWR 1 and 2 Tip or Ring connector terminations from the MDF are shorted to ground.
AUX PWR_2_T AUX PWR_2_R	If the LED for the termination under test does not light, or the wrong LED lights, the termination is miswired. If the opposite LED lights, the termination is reversed.
BYPASS_T BYPASS_R	Lights when the BYPASS Tip or Ring connector termination from the MDF is shorted to ground. If the LED for the termination under test does not light, or the wrong LED lights, the termination is miswired. If the opposite LED lights, the termination is reversed.
-48 CO	Indicates that the CO battery is wired correctly.
TEST	When pressed, lights all the LEDs on the Streaker card.

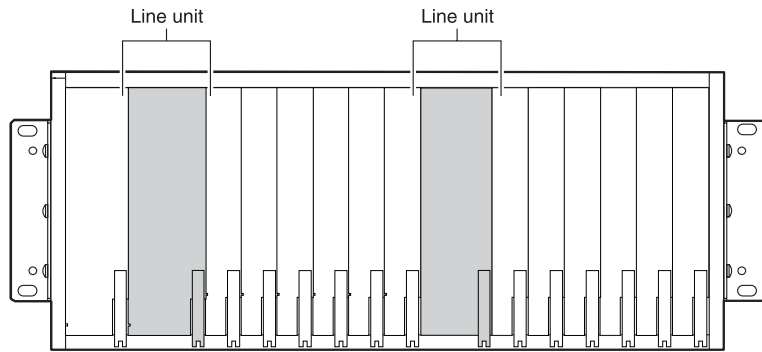


Installing and Testing the FSU-796 List 3

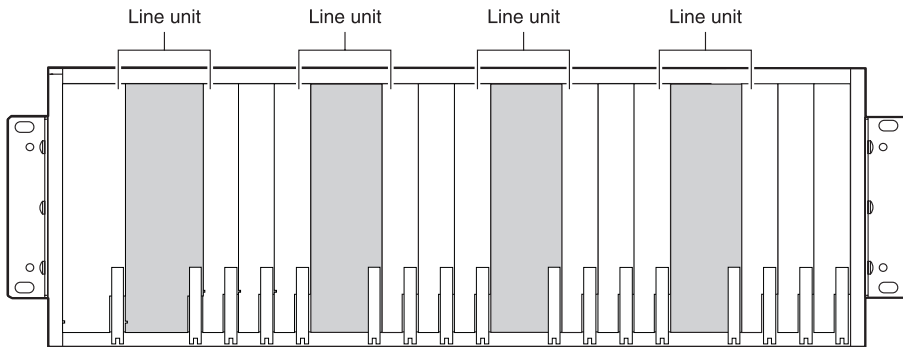


The COT shelf power must be connected to provide -48V to the FSU-796 List 3.

- Slide the FSU-796 List 3 into the line unit slot to be tested. (Refer to the illustrations below for line unit locations.)
- Verify that the -48 CO LED is lit. If the -48 CO LED is not lit:
 - verify that the fuses are installed in the equipment bay's fuse panel.
 - verify that frame ground and CO battery are connected (refer to local practices).
 - replace the FSU-796 (streaker card).
- Press the TEST switch and verify that all Tip and Ring LEDs are lit. Replace the FSU-796 if any of the LEDs do not light.



19" Central Office Shelf



23" Central Office Shelf

Testing the Line Unit Slots

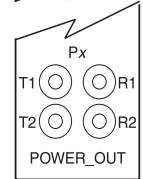
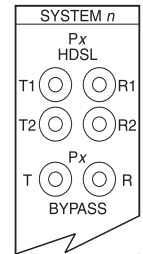
- At the MDF, connect a jumper lead from frame ground to the appropriate Tip or Ring termination from the COT shelf. Verify that the corresponding Tip or Ring LED on the FSU-796 is lit. (Refer to Table 1, "19" Shelf System Connectors," and Table 2, "23" Shelf System Connectors.")
 - If the correct Tip or Ring LED lights, proceed to the next connector termination.
 - If the Tip or Ring LED under test does not light, check the wiring to the COT shelf.
 - If the wrong LED lights, check the wiring to the COT shelf.
- Repeat the previous step for each line unit Tip and Ring termination.

Table 1. 19" Shelf System Connectors

Connector	System 1	System 2
HDSL	P5	P7
BYPASS	P10	P20
POWER_OUT	P8	P9

Table 2. 23" Shelf System Connectors

Connector	System 1	System 2	System 3	System 4
HDSL	P5	P6	P7	P8
BYPASS	P13	P14	P15	P16
POWER_OUT	P9	P10	P11	P12



Shelf Backplane Connector (rear view)

Table 3. Line Unit Connector Definitions

System*	Connector	Function
System <i>n</i>	HDSL_ <i>n</i> _T1 HDSL_ <i>n</i> _R1	Tip and Ring terminations for HDSL Pair #1 of System <i>n</i> to Remote Terminal <i>n</i> . -130 Vdc is simplex on this line for powering the Remote Terminal.
System <i>n</i>	HDSL_ <i>n</i> _T2 HDSL_ <i>n</i> _R2	Tip and Ring terminations for HDSL Pair #2 of System <i>n</i> to Remote Terminal <i>n</i> . +130 Vdc is simplex on this line for powering the Remote Terminal.
System <i>n</i>	PWR_1_T1 PWR_1_R1	System <i>n</i> auxiliary Power Pair #1. Used for auxiliary power to the RT when using a PG-Flex doubler unit.
System <i>n</i>	PWR_2_T2 PWR_2_R2	System <i>n</i> auxiliary Power Pair #2. Used for auxiliary power to the RT when using a PG-Flex doubler unit.
System <i>n</i>	BYPASS_ <i>n</i> _T BYPASS_ <i>n</i> _R	Termination for the metallic bypass pair into COT System <i>n</i> from RT <i>n</i> .

* Where *n* is 1, 2, 3, or 4 for Systems 1, 2, 3, or 4 respectively.