



DSX-1 Cross-Connect Operational Procedures

INTRODUCTION	2
TRANSMISSION SIGNAL DIRECTION	3
TRANSMISSION PATH - NORMAL	4
TRANSMISSION PATH - PATCHED	5
TRANSMISSION PATH - TERMINATED	6
RECOMMENDED CROSS-CONNECT ROUTING	7
IN-SERVICE PATCHING	8
OUT-OF-SERVICE PATCHING	9
RESTORATION USING A MAINTENANCE LINE	10
CROSS-CONNECT REARRANGEMENT (EXAMPLE: OFFICE CONVERSION)	11
INTERBAY PATCH ARRANGEMENT	12
TYPICAL CROSS-AISLE TIE ARRANGEMENT	13
TYPICAL REPEATERED CROSS-AISLE TIE ARRANGEMENT	13
GENERAL INFORMATION	14

INTRODUCTION

This manual provides operation procedures for use with any ADC DSX-1 cross-connect system. The procedures are illustrated with a generic circuit diagram that can be applied to any DSX-1 circuit module. The diagram indicates that some features such as a Monitor In (MON IN) jack may or may not be present. Also, the diagrams show tracer LEDs on the cross-connect side of the circuit modules only; in some applications LEDs are present on both front and rear of the circuit modules.

Revision History

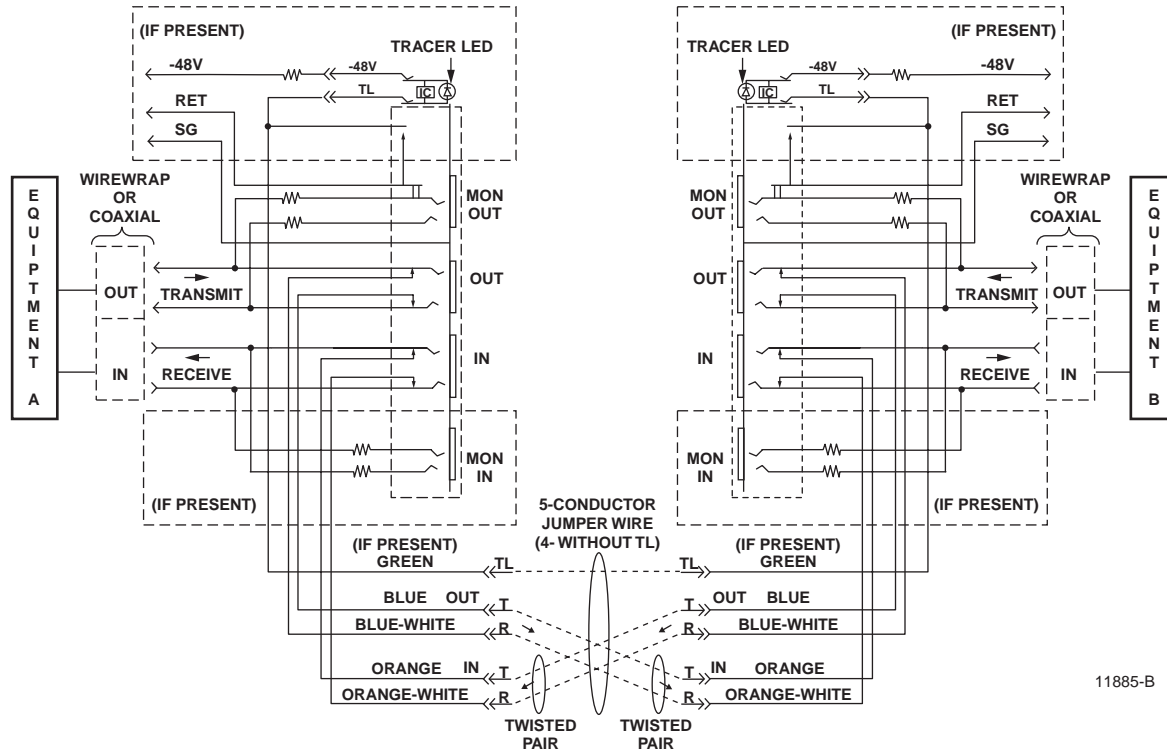
ISSUE	DATE	REASON FOR CHANGE
Issue 1	1/99	Original.

Trademark Information

ADC and ADC Telecommunications are registered trademarks of ADC Telecommunications, Inc.

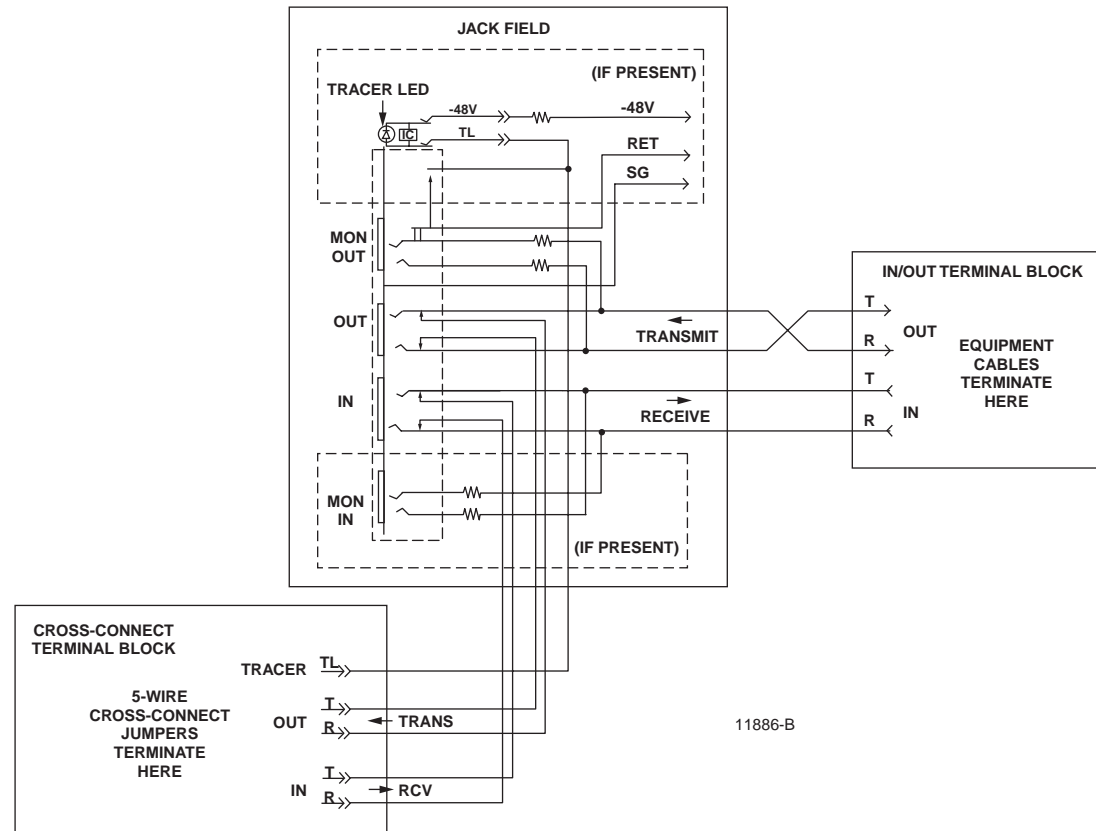
Related Publications

For a system-specific circuit diagram and other system-specific maintenance and operation, refer to the system planning and application guide for the particular system being used.

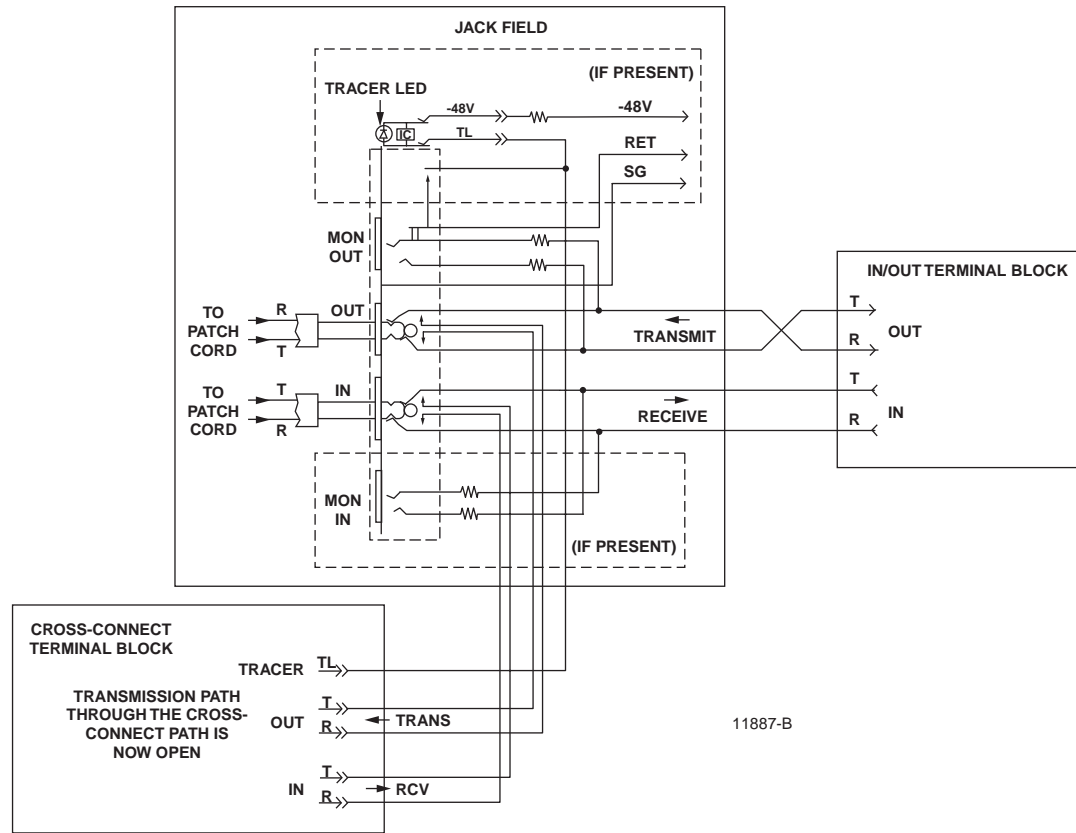


11885-B

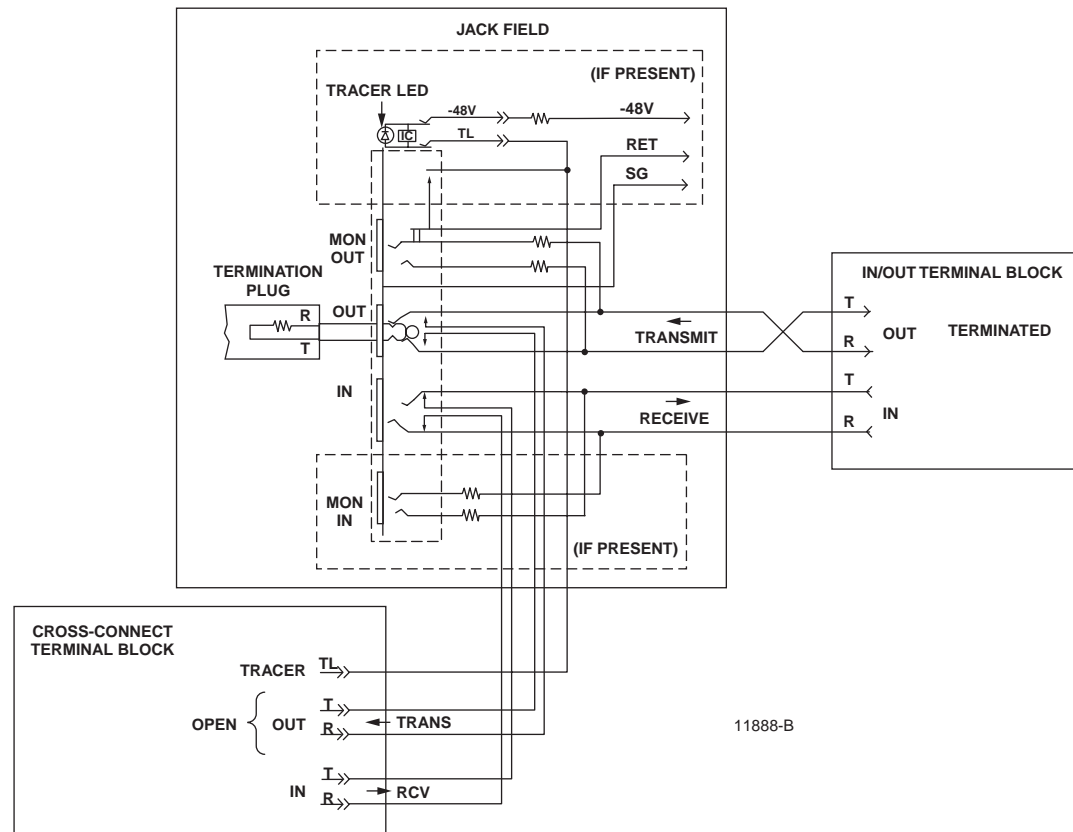
TRANSMISSION SIGNAL DIRECTION



TRANSMISSION PATH—NORMAL

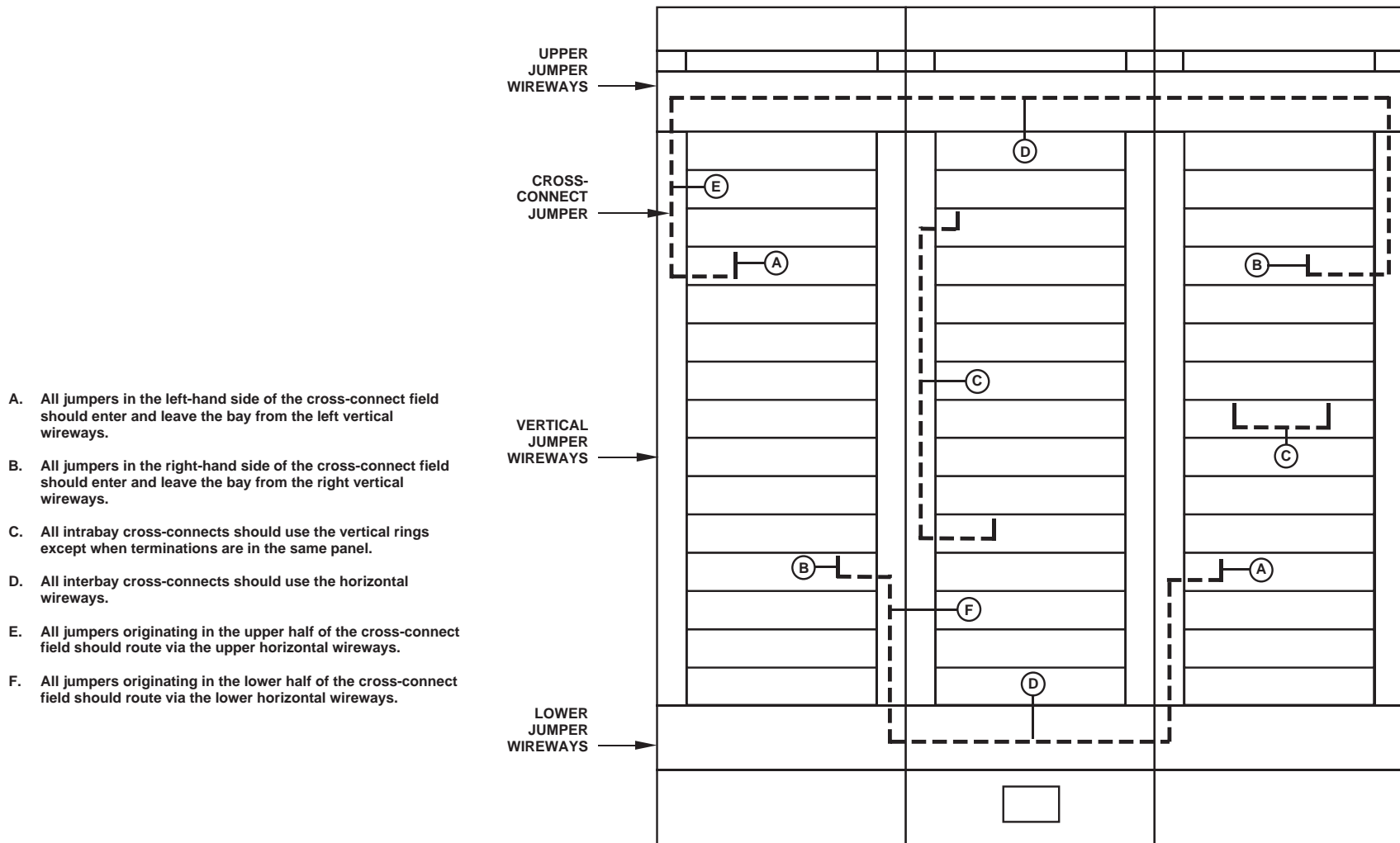


TRANSMISSION PATH—PATCHED



11888-B

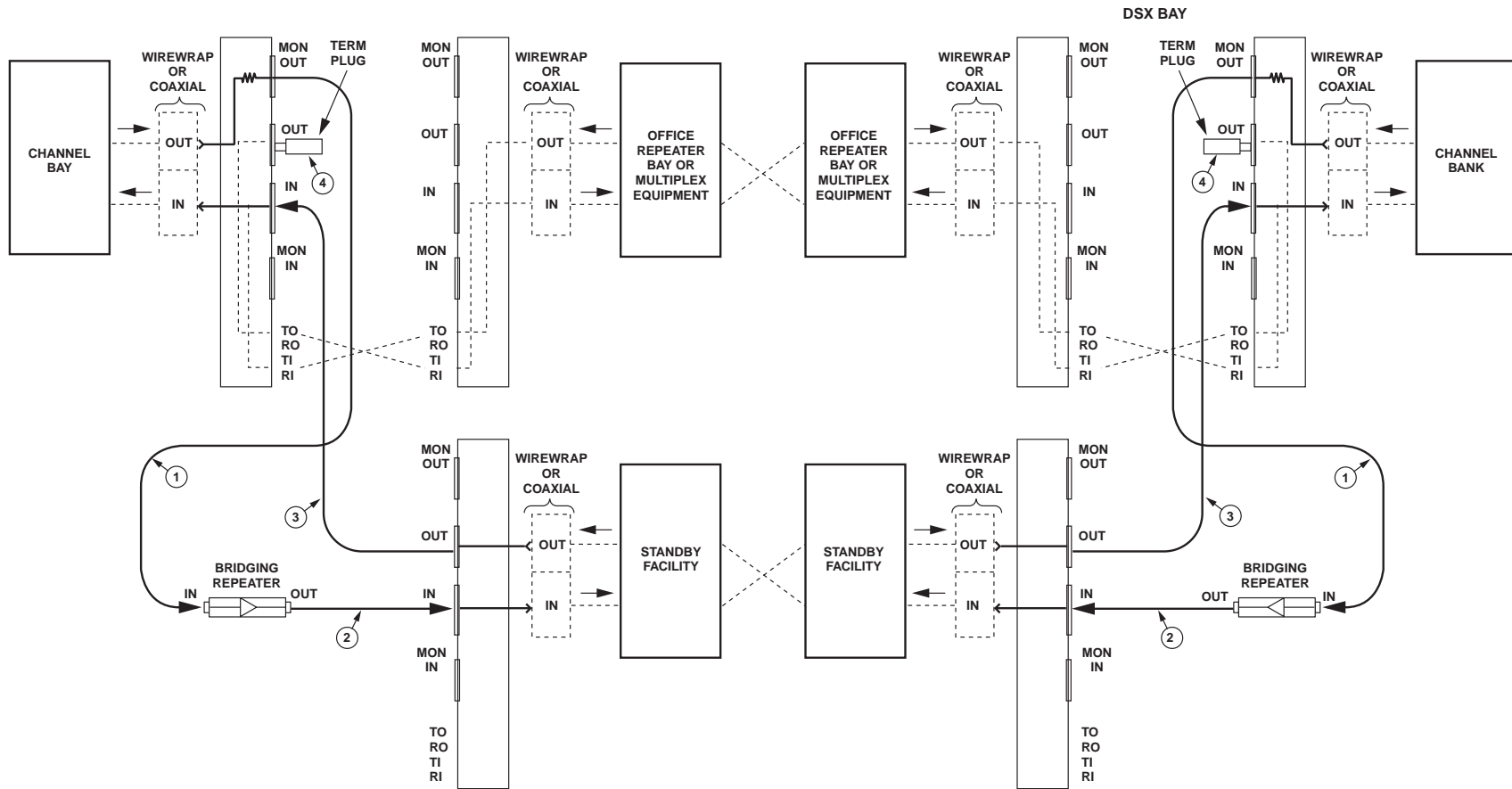
TRANSMISSION PATH—TERMINATED



- A. All jumpers in the left-hand side of the cross-connect field should enter and leave the bay from the left vertical wireways.
- B. All jumpers in the right-hand side of the cross-connect field should enter and leave the bay from the right vertical wireways.
- C. All intrabay cross-connects should use the vertical rings except when terminations are in the same panel.
- D. All interbay cross-connects should use the horizontal wireways.
- E. All jumpers originating in the upper half of the cross-connect field should route via the upper horizontal wireways.
- F. All jumpers originating in the lower half of the cross-connect field should route via the lower horizontal wireways.

3354-A

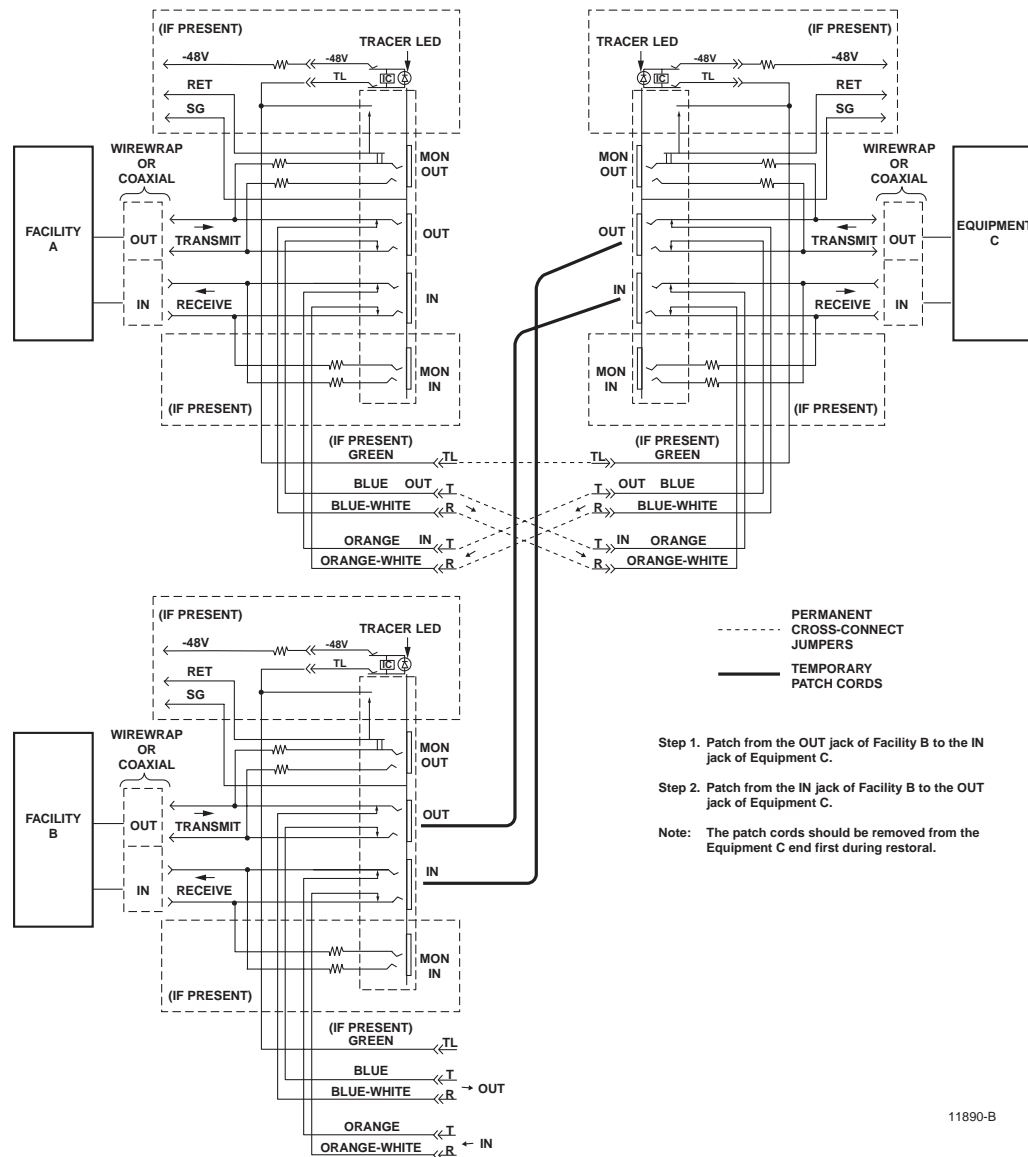
RECOMMENDED CROSS-CONNECT ROUTING



- Step 1. At each office, patch from the DSX MON OUT of the Equipment to the IN jack of a Bridging Repeater.
- Step 2. At each office, patch from the OUT jack of the Bridging Repeater to the DSX IN jack of the Standby Facility.
- Note: Steps 1 and 2 must be completed at each office before proceeding to Step 3.
- Step 3. At each office, patch from the OUT jack of the Standby Facility to the DSX IN jack of the Equipment. The patch cord must be placed in the Standby Facility DSX OUT jack first to avoid interrupting service.
- Step 4. Terminate the DSX OUT jacks at each office.
- Note: The patch cords should be removed from the Equipment end first during restoral.

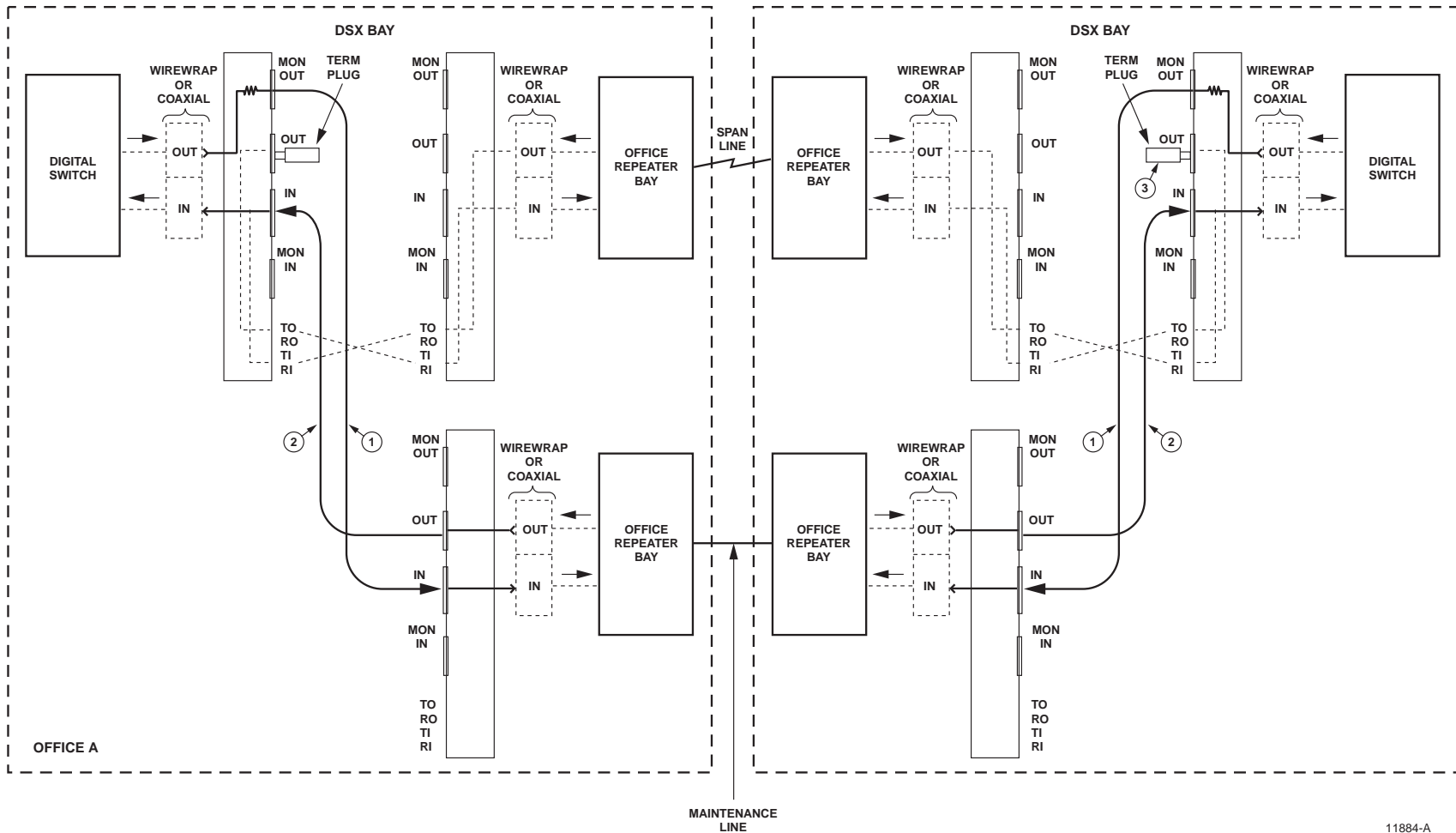
11895-A

IN-SERVICE PATCHING



11890-B

OUT-OF-SERVICE PATCHING



11884-A

Step 1. Patch from the DSX MON OUT jacks of the Equipment to DSX IN jacks of Maintenance Line at each office.

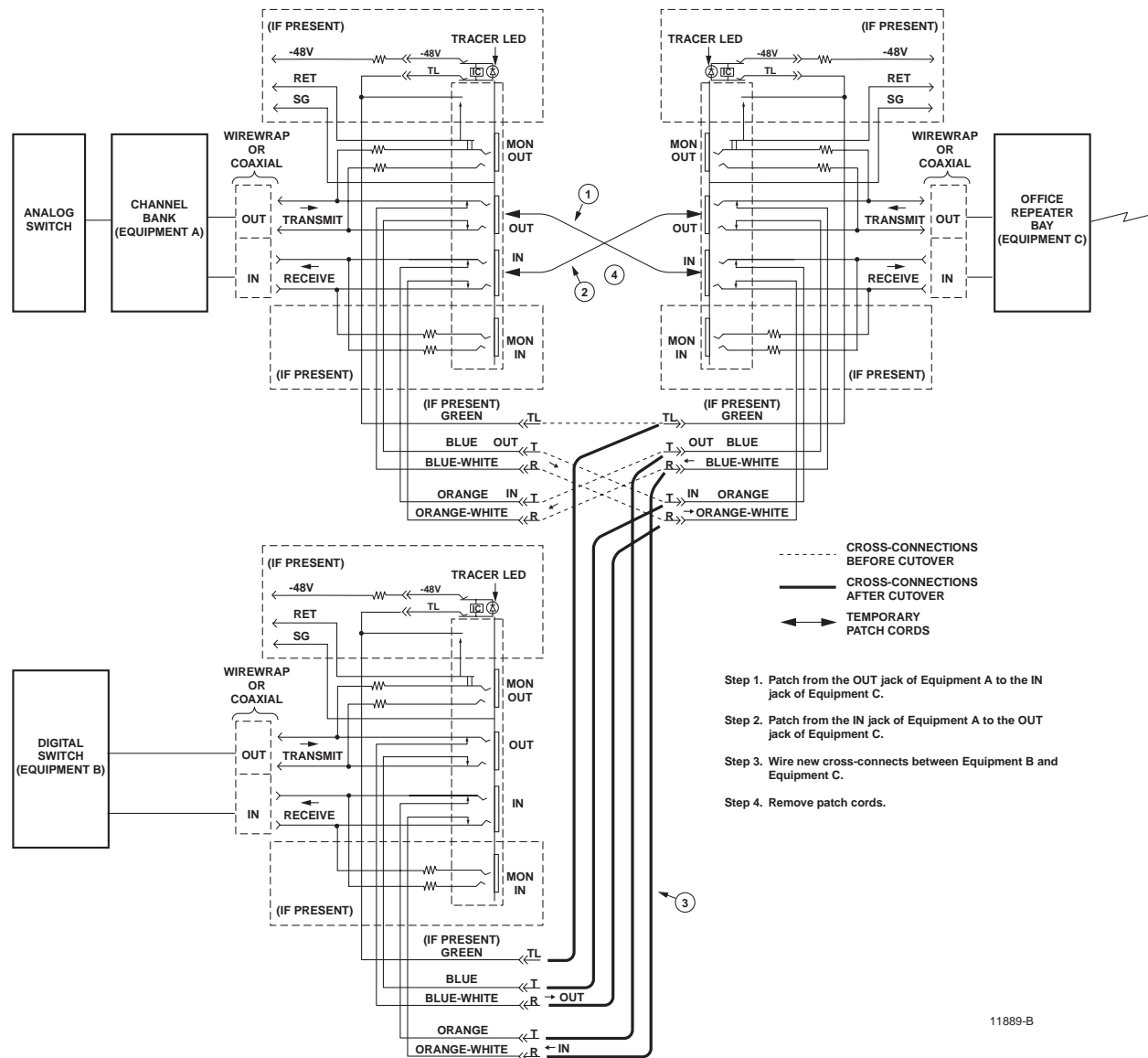
Step 2. Patch from the DSX OUT jacks of Maintenance Line to DSX IN jacks of Equipment at each office.

Step 3. Terminate the DSX OUT jack of the Equipment at each office. To remove patches without service interruption, reverse these steps in the exact sequence.

Caution: For in-service patching, each step must be completed at both offices before proceeding to the next step.

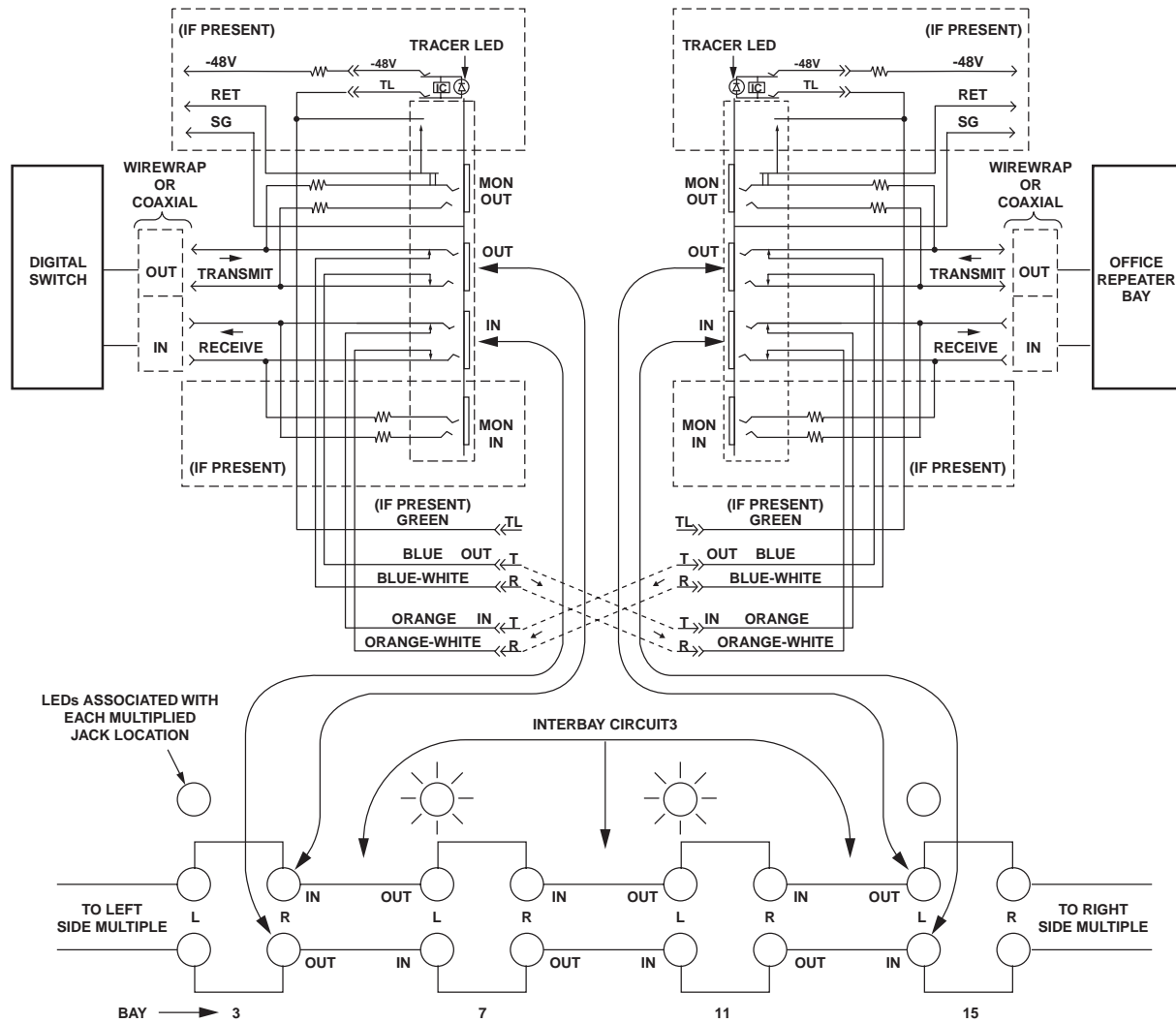
Note: Bridging Repeaters are located in the Office Repeater Bay as part of the Maintenance Line.

RESTORATION USING A MAINTENANCE LINE



11889-B

CROSS-CONNECT REARRANGEMENT (EXAMPLE: OFFICE CONVERSION)



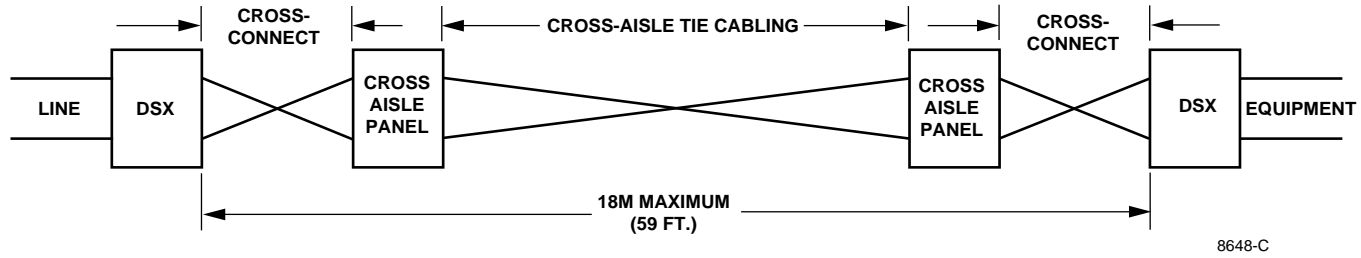
Without exception, always patch OUT to IN and IN to OUT at every location, whether using single-ended or dual-ended plugs.

When a patch is made from the left to right direction, the right side of the jack appearance selected must be used. The other end of the patch must use the left side of the jack appearance selected. The reverse is true if patch is made from right to left direction.

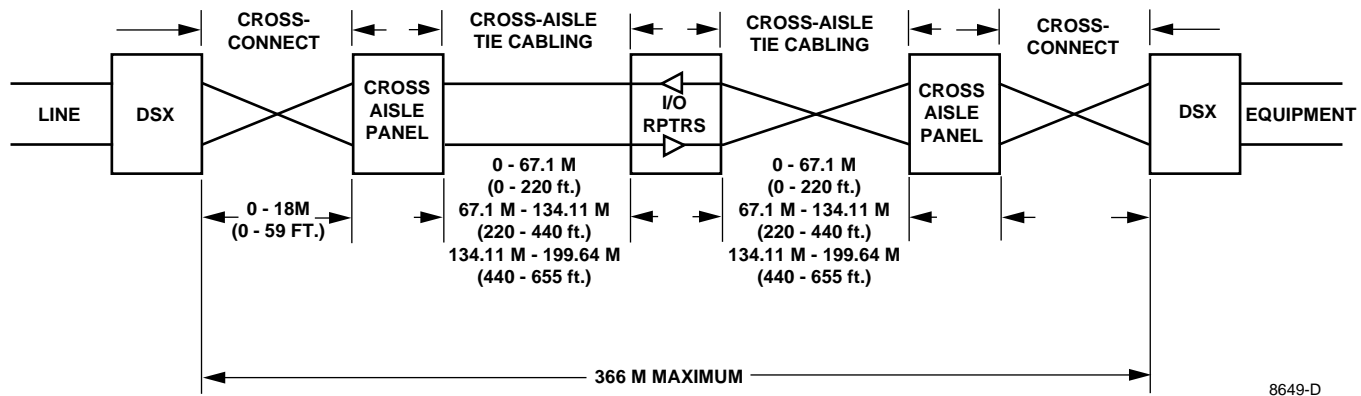
Note: In this example, the LEDs in Bay 7 and 11 for Circuit 3 will be lit, indicating the jack is in use.

11891-B

INTERBAY PATCH ARRANGEMENT



TYPICAL CROSS-AISLE TIE ARRANGEMENT



TYPICAL REPEATED CROSS-AISLE TIE ARRANGEMENT

8648-C

8649-D

CUSTOMER INFORMATION AND ASSISTANCE

For customers wanting information on ADC products or help in using them, ADC offers the services listed below. To obtain any of these services by telephone, first dial the central ADC telephone number, then dial the extension provided below. The central number for calls originating in the U.S.A. or Canada is **1-800-366-3891**. For calls originating outside the U.S.A. or Canada, dial country code "1" then dial **612-946-3000**.

Sales Assistance Extension 3000	<ul style="list-style-type: none"> • Quotation Proposals • Ordering and Delivery 	<ul style="list-style-type: none"> • General Product Information • Ordering and Delivery
Systems Integration Extension 3000	<ul style="list-style-type: none"> • Complete Solutions • Network Design and Integration Testing • System Turn-Up and Testing • Network Monitoring 	<ul style="list-style-type: none"> • Power Monitoring and Remote Surveillance • Service/Maintenance Agreements • Systems Operation
BCG Technical Assistance Center Extension 3475 E-Mail: technical@adc.com	<ul style="list-style-type: none"> • Technical Information • System/Network Configuration • Product Specification and Application 	<ul style="list-style-type: none"> • Training (Product-Specific) • Installation and Operation Assistance • Troubleshooting and Repair
Product Return Department Extension 3748 E-Mail: repair&return@adc.com	<ul style="list-style-type: none"> • ADC Return Authorization number and instructions must be obtained before returning products. 	<ul style="list-style-type: none"> • ADC Return Authorization number and instructions must be obtained before returning products.

Product information may also be obtained using the ADC web site at **www.adc.com** or by writing ADC Telecommunications, Inc., P.O. Box 1101, Minneapolis, MN 55440-1101, U.S.A.

Contents herein are current as of the date of publication. ADC reserves the right to change the contents without prior notice. **In no event shall ADC be liable for any damages resulting from loss of data, loss of use, or loss of profits and ADC further disclaims any and all liability for indirect, incidental, special, consequential or other similar damages. This disclaimer of liability applies to all products, publications and services during and after the warranty period.**

This publication may be verified at any time by contacting ADC's Technical Assistance Center at 1-800-366-3891, extension 3475 (in U.S.A. or Canada) or 612-946-3000 (outside U.S.A. and Canada), or by writing to ADC Telecommunications, Inc., Attn: Technical Assistance Center, Mail Station #71, P.O. Box 1101, Minneapolis, MN 55440-1101, U.S.A.

