

QUICK INSTALLATION



HiGain H4TU-C-388 LIST 5A LINE UNIT

THE H4TU-C-388 LIST 1G

The H4TU-C-388 List 5A line unit is the Central Office (CO) side of a T1 transmission system. The H4TU-C, when used with an H4TU-R remote unit, transmits a 1.544 Mbps payload a maximum distance of 12 kft. over two unconditioned copper pairs. The H4TU-C supports three powered spans to further expand reach.

The H4TU-C-388 List 5A is designed to mount in Double Dual Module Plus (DDM+) high-density shelves.



This line unit requires HiGain Management Unit (HMU) firmware version 3.2 or later (L9 or L7A) for full feature TL1 management.

FEATURES

Front-panel features: craft port for maintenance screen access, seven LEDs for system status reporting, and DSX-1 access jacks

HDSL4 transmission features:

- Doubler (H4D) support for up to three spans
- Grounded loop and loop reversal detection
- Sources sealing current when connected to locally powered H4TU-R-402 remote unit
- Digital Data Service (DDS) latching loopbacks
- Fractional T1 maintenance

Maintenance screens: for inventory, provisioning, performance monitoring, and troubleshooting, including:

- Remote provisioning
- Loop attenuation and insertion loss reporting
- Power Back Off feature configures HDSL4 transmit power levels to reduce crosstalk
- Report menu for downloads of status and performance data

SPECIFICATIONS

Operating Temperature	-40°F to +149°F (-40°C to +65°C)
Operating Humidity	5% to 95% non-condensing
HDSL4 Span Voltage	0 or -185 Vdc (-185 Vdc is applied to Loop 2.)
CO Supply	-48 Vdc nominal (-42.5 Vdc to -56.5 Vdc)
Mounting	DDM+ high-density shelf
HDSL4 Line Rate	784 kbps Overlapped Pulse Amplitude Modulation (OPAM) transmission per pair
HDSL4 Output	+14.1 dBm \pm 0.5 dBm, 135 Ω
Maximum Insertion Loss	Span 1 = 47 dB at 196 kHz Span 2 and Span 3 = 43 dB at 196 kHz
Maximum Loop Attenuation	Span 1 = 31 dB; Span 2 and Span 3 = 29 dB
DSX-1 Line Rate	1.544 Mbps \pm 200 bps
DSX-1 Line Format	Alternate Mark Inversion (AMI) or Bipolar with 8-Zero Substitution (B8ZS)
DSX-1 Frame Format	Extended SuperFrame (ESF), SuperFrame (SF), or Unframed (UNFR)
DSX-1 Pulse Output	6 V ^{pk-pk} , pre-equalized for 0 to 655 feet of ABAM cable
DSX-1 Input Level	+1.5 dB to -7.5 dB DSX

1 INSTALLATION

Raise the H4TU-C front panel. Align the H4TU-C with the shelf card-slot guides and slide the unit in. Press down on the front panel to snap the unit in the shelf.

2 POWER-UP SEQUENCE

When the H4TU-C powers up, the DSL1 and DSL2 LEDs flash red once every second.

- If the H4TU-C is unable to communicate with the H4TU-R, the LEDs display solid red, indicating HBER, MARG, or PWRP alarms.
- If the H4TU-C is able to communicate with the H4TU-R, the LEDs display solid green, indicating that the HDLS4 spans are synchronized without error.

Verify the presence of a DS1 signal by confirming that the ALM LED is off (not lit). If the ALM LED displays red or yellow, a DS1 LOS condition exists. Refer to [Table 2](#) to locate the problem.

Verify error-free DS1 transmission by confirming that the DS1, framing (ESF/SF), and line code (B8ZS/AMI) LEDs display solid colors. Refer to [Table 2](#) to locate the problem if these LEDs are either flashing or display solid red.

3 PROVISIONING

Perform these basic provisioning tasks:

- 1 Connect a maintenance terminal to the craft port (see front-panel illustration inside) and log on. Press **CTRL** + **R** to refresh the logon screen, if necessary.
Refer to the onscreen Help menu for navigational aids or use the **SPACEBAR** (to cycle through selections), **ENTER** (to activate the current setting, choice, or to display a menu), **ESC** or **F11** (to return to the parent menu), or directional arrow keys (to navigate to a menu or item).
- 2 Select the Config menu, **Date and Time**, then type the date and time.
- 3 Select the Inventory menu, then type the unit ID numbers.
- 4 Change the settings of any system parameters, if necessary, by selecting **Config**, then **Standard Options** or **ADC Options**. (See [Table 3](#) and [Table 4](#) inside.)

Once the H4TU-C is successfully installed and provisioned, access the Performance or Event Log menus to clear the Performance, Alarm History, or Event Log screens, or use Master Clear in the Config menu.

Continued



Card-Edge Connector

219	<input type="checkbox"/>	119	Frame GND
GND	<input checked="" type="checkbox"/>	118	GND
-48Vdc	<input checked="" type="checkbox"/>	117	Fusealarm*
216	<input type="checkbox"/>	116	
215	<input checked="" type="checkbox"/>	115	Ring1
214	<input type="checkbox"/>	114	Tip1
213	<input type="checkbox"/>	113	
212	<input type="checkbox"/>	112	
211	<input type="checkbox"/>	111	
210	<input checked="" type="checkbox"/>	110	Ring
209	<input checked="" type="checkbox"/>	109	Tip
208	<input type="checkbox"/>	108	
207	<input checked="" type="checkbox"/>	107	Factory burn-in
206	<input type="checkbox"/>	106	Ring1
205	<input checked="" type="checkbox"/>	105	Tip1
204	<input checked="" type="checkbox"/>	104	Factory use
203	<input type="checkbox"/>	103	
202	<input checked="" type="checkbox"/>	102	Ring
201	<input checked="" type="checkbox"/>	101	Tip
200	<input type="checkbox"/>	100	

* Fuse alarm is normally floating (0 to 80 Vdc max.) and at -48 Vdc (10 mA max.) when activated.

DSX-1 access jacks

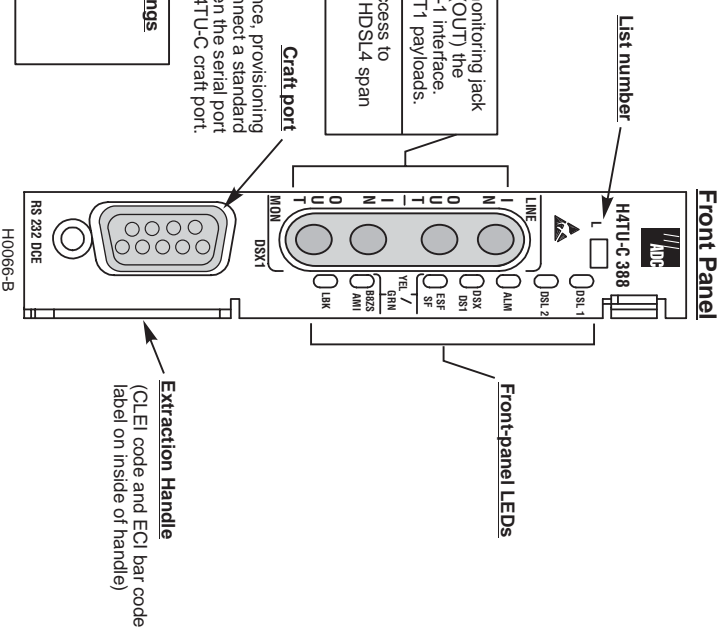
Connect standard test equipment.

MON	Provides non-intrusive monitoring jack access to (IN) and from (OUT) the HDSL4 span at the DSX-1 interface. Allows monitoring of the T1 payloads.
LINE	Provides splitting jack access to (IN) and from (OUT) the HDSL4 span at the DSX-1 interface.

Craft port
To access all system maintenance, provisioning and performance screens, connect a standard DB-9 terminal cable between the serial port on a PC and the H4TU-C craft port.

Maintenance Terminal Modern Settings

9600 baud
8 data bits
No parity
1 stop bit
Hardware flow control: OFF
Terminal emulation: VT100



4 LOOPBACK TESTING

Initiate loopback testing from the maintenance menus. The inband codes shown in Table 1 below can be sent by a test set.

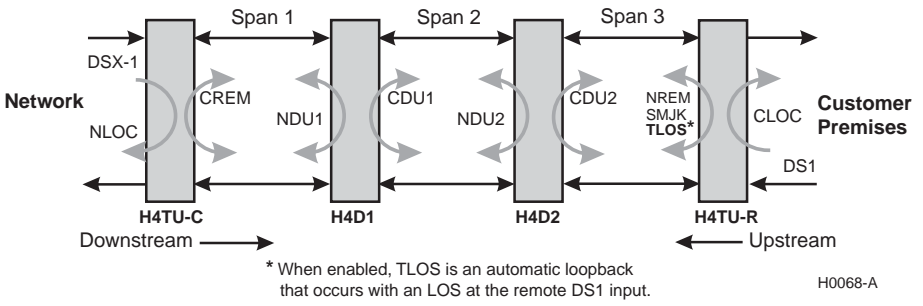


Table 1. Loopback Commands

Loopback	Inband Code	Description
NLOC	1111000	DSX-1 signal is looped back to the network at the H4TU-C.
NREM	1110000	DSX-1 signal is looped back to the network at the H4TU-R.
NDU1	110000	Signal is looped back to the network at H4D1.
CDU1	111100	DS1 signal from customer is looped back to the customer at H4D1.
NDU2	111000	Signal is looped back to the network at H4D2.
CDU2	111110	DS1 signal from customer is looped back to the customer at H4D2.
CLOC	1111100	DS1 signal from customer is looped back to the customer at the H4TU-R.
CREM	1111110	DS1 signal from customer is looped back to the customer at the H4TU-C.
SMJK	11000	DSX-1 signal is looped back to the network at the H4TU-R SmartJack module.
Loopdown	11100	Deactivates any of the above loopbacks.

Table 2. LED Status and Functions

LED and Status	Function
DSL1	
Solid green	Loop 1 of the HDSL4 span connected to H4TU-C have synchronized without error.
Flashing red once every second	Loop 1 of the HDSL4 span connected to H4TU-C is in acquisition.
Solid red	Loop 1 of the HDSL4 span connected to H4TU-C has detected HBER, MARG alarm, or any PWRP alarms.
DSL2	
Solid green	Loop 2 of the HDSL4 span connected to H4TU-C has synchronized without error.
Flashing red once every second	Loop 2 of the HDSL4 span connected to H4TU-C is in acquisition.
Solid red	Loop 2 of the HDSL4 span connected to H4TU-c has detected HBER, MARG alarm, or any PWRP alarms.
ALM	
OFF	DS1 signal is present at both the H4TU-R and H4TU-C.
Solid yellow	RLOS is present at the H4TU-R.
Solid red	LLOS is present at the H4TU-C.
DSX/DS1	
Solid green	DSX-1 signal at the H4TU-C is error-free.
Solid red	LLOS, BPV, frame error, or CRC is detected at H4TU-C. (LED updates once every second when error occurs.)
ESF/SF	
OFF	Unframed DSX-1 is present at the H4TU-C or no DSX-1 is detected at the H4TU-C.
Solid yellow	ESF frame formatting is present at the H4TU-C.
Flashing yellow once every second	ESF frame formatting and frame error/CRC are present at the H4TU-C.
Solid green	SF frame formatting is present at the H4TU-C.
Flashing green once every second	SF frame formatting and frame error are present at the H4TU-C.
B8ZS/AMI	
OFF	No DSX-1 signal is present at the H4TU-C.
Solid yellow	B8ZS is provisioned at the H4TU-C.
Flashing yellow once every second	B8ZS and excess zeros string are present at the H4TU-C.
Solid green	AMI is provisioned at the H4TU-C.
Flashing green once every second	AMI and BPV are present at the H4TU-C.
LBK	
OFF	H4TU-C is not ARMED or in loopback.
Solid yellow	H4TU-C is in either NLOC or CREM (RLB).
Flashing yellow once every second	System is ARMED.

Table 3. Maintenance Terminal Config Menu—Standard Options^(a)

Standard Option	Function
Loopback Timeout (LBTO)	Sets automatic cancellation of all loopbacks to NONE, 20 min, 60 min, 120 min , 8 hr, or 24 hr after activation.
Loop Attenuation Threshold (LATT)	Determines the maximum loop attenuation (0 to 50 dB) before an alarm is declared. Zero disables the alarm. Default setting is 42 dB .
Margin Threshold (MARG)	Determines the minimum allowable margin (0 to 15 dB) below which a system alarm can occur. Zero disables the alarm. Default setting is 4 dB .
DS1 Frame Formatting (FRMG)	AUTO = system searches DS1 transmission for SF or ESF frame pattern. SF = sets system for SF frame formatting. ESF = sets system for ESF frame formatting. UNFR = system functions as a transparent bit pipe.
DS1 Line Coding (DS1)	B8ZS = sets system for B8ZS line code. AMI = sets system for AMI line code.
H4TU-C Equalization (EQL)	Sets the DSX-1 equalizer to: 0 (0 to 132 ft.), 133 (133 to 265 ft.), 266 (266 to 398 ft.), 399 (399 to 532 ft.), or 533 (533 to 655 ft.).
H4TU-R Line Buildout (RLBO)	Sets the DS1 receive level output toward the Customer Interface to 0 dB, -7.5 dB , or -15.0 dB.
Alarm Pattern (ALMP)	Enables an AIS or LOS output at the DS1 ports for LOSW or LOS DS1.
H4TU-R TLOS Loopback (TLOS)	Enables (ENA) or disables (DIS) a TLOS loopback at H4TU-R for LOS at its DS1 input (if enabled at the H4TU-R).
Network Loopback Pattern (NLBP)	Enables the H4TU-R to transmit an AIS or LOS towards CI for any network loopback.
Power Back Off Network (PBOB)	The power output levels of the H4TU-C network unit toward the customer. Default (DEF) or enhanced (ENH).
Power Back Off Customer (PBOC)	The power output levels of the H4TU-R customer unit toward the network. Default (DEF) or enhanced (ENH).

(a) Default settings are in bold.

Table 4. Maintenance Terminal Config Menu—ADC Options^(a)

ADC Option	Function
Line Power Feed (PWRP)	Enables (ON) or disables (OFF) HDSL4 line power.
Remote Provisioning (RTPV)	Enables (ENA) or disables (DIS) remote provisioning.
Bipolar Violation Transparency (BPVT)	Enables (ENA) or disables (DIS) Bipolar Violation Transparency.
DS1 BER (DBER)	Enables (ENA) or disables (DIS) 24-hour DSX-1 BER alarm threshold.
HDSL4 BER Threshold (HBER)	Sets HDSL4 BER alarm threshold at 1E-6, 1E-7 or disables (DIS).
SmartJack Loopback (LPBK)	Enables (ENA) or disables (DIS) SmartJack (SMJK) loopback commands.
Remote Disconnect Alarm (RDA)	Enables (ENA) a remote DS1 LOS condition at the input to the H4TU-R to generate an LOS alarm. AIS or LOS (depending on ALMP) is sent towards the network. Disables (DIS) or prevents a remote DS1 LOS condition at the input to the H4TU-R from causing an LOS alarm. The front-panel Status LED still flashes red and the ALRM RLOS message is displayed, but the alarm relay contacts do not close and LOS is sent towards the network from the H4TU-C instead of AIS.

(a) Default settings are in bold.



Copies of this publication or the user manual (LTPH-UM-1252-xx) can be downloaded from the ADC website at www.adc.com. To order a hard copy, please contact your sales representative.

FCC Class A Compliance

This equipment has been tested and found to comply with the limits for a Class A digital device, pursuant to Part 15 of the FCC Rules. These limits are designed to provide reasonable protection against harmful interference when the equipment is operated in a commercial environment. This equipment generates, uses, and can radiate radio frequency energy and, if not installed and used in accordance with the instruction manual, may cause harmful interference to radio communications. Operation of this equipment in a residential area is likely to cause harmful interference in which case the user will be required to correct the interference at his own expense.

Limited Warranty

Product warranty is determined by your service agreement. Contact your sales representative or Customer Service for details.

Modifications

Any changes or modifications made to this device that are not expressly approved by ADC DSL Systems, Inc. voids the user's warranty.

All wiring external to the products should follow the provisions of the current edition of the National Electrical Code.

Standards Compliance

This equipment has been tested and verified to comply with the applicable sections of the following safety standards:

- GR 63-CORE - Network Equipment-Building System (NEBS) Requirements
- GR 1089-CORE - Electromagnetic Compatibility and Electrical Safety
- Binational standard, UL-60950/CSA C22.2 No. 60950-00: Safety of Information Technology Equipment.

Trademark Information

ADC is a registered trademark of ADC Telecommunications, Inc. Other product names mentioned in this installation guide are used for identification purposes only and may be trademarks or registered trademarks of their respective companies.

Copyright Information

© 2003 ADC DSL Systems, Inc. All rights reserved. Information contained in this document is company private to ADC DSL Systems, Inc., and shall not be modified, used, copied, reproduced or disclosed in whole or in part without the written consent of ADC.

World Headquarters

ADC Telecommunications, Inc.
PO Box 1101
Minneapolis, MN 55440-1101 USA

Product Catalog: H4TU-C-388-L5A
CLEI: VACKMGKA
Document: LTPH-QI-1249-01,Release 1

For Technical Assistance

Tel: 800.366.3891



1267587
October 15, 2003