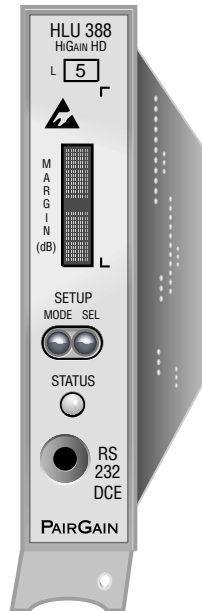


HiGAIN LINE UNIT



HLU-388

List 5

Part Number: 150-1141-05

CLEI Code: T1L2B50A

PAIRGAIN TECHNOLOGIES, INC.

TECHNICAL PRACTICE



SECTION 150-388-105-05

Revision History of This Practice

Revision	Release Date	Revisions Made
01	May 29, 1998	Initial release
02	June 1, 1998	Modified alarm diagnostics, miscellaneous edits
03	April 19, 1999	Updated diagnostic tables
04	August 17, 1999	Added troubleshooting screens
05	March 30, 2000	Added information on cable shield ground




© Copyright 2000 PairGain Technologies, Inc.

PairGain and HiGain are registered trademarks, and The Power Behind DSL Access and the PairGain logo design are trademarks of PairGain Technologies, Inc. No right, license, or interest to such trademarks is granted hereunder, and you agree that you shall assert no such right, license, or interest with respect to such trademarks. All other product names mentioned in this document are used for identification purposes only and may be trademarks or registered trademarks of their respective companies.

Information contained in this document is company private to PairGain Technologies, Inc., and shall not be modified, used, copied, reproduced or disclosed in whole or in part without the written consent of PairGain. Information furnished by PairGain Technologies is believed to be accurate and reliable. However, no responsibility is assumed by PairGain Technologies for its use, nor for any infringement of patents or other rights of third parties which may result from its use. No license is granted by implication or otherwise under any patent or patent rights of PairGain Technologies. PairGain Technologies reserves the right to change specifications at any time without notice.

USING THIS TECHNICAL PRACTICE

The following conventions are used in this manual:

- `Monospace` type indicates screen text, including text you type at a screen prompt.
- Keys you press are indicated by small icons such as . Key combinations to be pressed simultaneously are indicated with a plus sign as follows:  + .
- Three types of messages, identified by icons, appear in text.



Notes contain information about special circumstances.



Cautions indicate the possibility of equipment damage or personal injury.



The Electrostatic Discharge (ESD) Susceptibility symbol indicates that a device or assembly is susceptible to damage from electrostatic discharge.

For a list of abbreviations used in this document, refer to “[Appendix E - Glossary](#)” on page 67.

DOCUMENTATION

If you have comments on this PairGain document, send an email to technical_publications@pairgain.com. Type the product name and the section number of the document in the subject area of the email message.

INSPECTING THE SHIPMENT

Upon receipt of the equipment:

- Unpack each container and visually inspect the contents for signs of damage. If the equipment has been damaged in transit, immediately report the extent of damage to the transportation company and to PairGain. Order replacement equipment, if necessary.
- Check the packing list to ensure complete and accurate shipment of each listed item. If the shipment is short or irregular, contact PairGain as described in the Warranty located inside the back cover. If you must store the equipment for a prolonged period, store the equipment in its original container.

TABLE OF CONTENTS

Overview	1
Features	1
Compatibility	2
Applications	2
HiGain Doubler Applications	3
Personal Communications System Applications	3
Front Panel	4
Installation	8
Verification	9
Verification without a Downstream Device	9
Verification with a Downstream Device	9
Provisioning Requirements	10
Provisioning	11
Using the MODE and SEL Buttons	11
Setting Options through MODE and SEL	11
Resetting to Factory Default Values.....	12
Displaying System Parameter Settings.....	12
Disabling an Alarm.....	12
Loopback Modes	12
Using a Maintenance Terminal	13
Connecting to a Maintenance Terminal.....	13
Accessing the Maintenance Terminal Screens	14
Using the Maintenance Terminal Screens	16
View Span Status Screen.....	16
Set Clock Screen.....	21
System Settings Screen.....	22
Loopback Mode Screen.....	28
View Performance Data Screen.....	31
View Performance History Screen	33
View Alarm History Screen	35
System Inventory Screen	37
View Troubleshooting Screen	39
Troubleshooting	42
System Alarms	42
Alarm Option for DLC Feed	43
Retiring System Alarms.....	43

Self Test	43
Loopback Operation	44
Generic Loopback Commands	44
Special Loopback Commands	46
Initiating a Manual Loopback Session	47
Loopback Test Procedures	48
General Troubleshooting Tips	48
GNLB Test Procedures	48
A1LB, A2LB, and A5LB Test Procedures	50
A3LB and A4LB Test Procedures	53
Appendix A - Specifications	54
HDSL Insertion Loss Guidelines	55
Power Consumption	55
Power Consumption without Doublers	55
Power Consumption with Doublers	56
Maximum Power Dissipation	58
Maximum Current Drain	58
HLU-388 List 5 Card Connector	59
Network Management Control Bus	59
Fuse Alarm	59
Craft Port	60
Appendix B - Functional Operation	61
Timing	61
Ground Fault Detect	61
Appendix C - Compatibility	63
T1 Repeater Shelves and Related Equipment	63
HiGain Doubler Circuit Deployment	63
Appendix D - Product Support	65
Technical Support	65
World Wide Web	65
Returns	66
Appendix E - Glossary	67
Certification and Warranty	lxix

LIST OF FIGURES

1. HLU-388 List 5 Front Panel.....	4
2. Installing the HLU-388 List 5 into a Shelf.....	8
3. Maintenance Terminal Main Menu.....	15
4. System Spans.....	16
5. Span Status Screen without Doublers.....	17
6. Span Status Screen for Doubler Applications.....	18
7. Set Clock Screen.....	21
8. System Settings Screen.....	22
9. Loopback Menu: No Doubler.....	29
10. Loopback Menu: Four Doublers.....	29
11. NLOC Loopback Mode Reported in the Maintenance Terminal Main Menu.....	30
12. Performance Data Screen: No Doubler.....	32
13. Performance Data Screen: Four Doublers (Span 5).....	32
14. 31-Day Performance History Screen: No Doubler.....	33
15. 31-Day Performance History Screen: Four Doublers (Span 5).....	34
16. Alarm History Screen: No Doubler.....	36
17. Alarm History Screen: Four Doublers (Span 5).....	36
18. System Inventory Screen: No Doubler.....	38
19. System Inventory Screen: Four Doublers.....	38
20. Troubleshooting Screen for a Doubler Application.....	39
21. Troubleshooting Screen Describing Circuit Problem.....	39
22. Troubleshooting with Help.....	40
23. Troubleshooting with Margin Values.....	41
24. Troubleshooting with Insertion Loss Values.....	41
25. Loopback Summary.....	44
26. Loopback Configurations.....	49
27. HLU-388 List 5 Card-edge Connector.....	59
28. RS-232 Craft Port Pinouts.....	60
29. HLU-388 List 5 Block Diagram.....	61

LIST OF TABLES

- 1. HDSL Loss Over Cables..... 2
- 2. Front-panel Description 5
- 3. Front Panel Display Messages 6
- 4. Navigational Keys on the Maintenance Terminal 14
- 5. Maintenance Terminal Screens..... 15
- 6. Span Status Fields and Descriptions 19
- 7. HDSL System Alarms 20
- 8. Loopback Messages 20
- 9. HLU-388 List 5 System Settings 23
- 10. Loopback Field Messages and Descriptions..... 28
- 11. Errored and Unavailable Seconds Definitions 31
- 12. Alarm History Fields and Descriptions 35
- 13. HDSL System Alarms 42
- 14. Summary of HiGain Loopback Codes 45
- 15. Addressable Repeater Loopback Commands (A1LB, A2LB, A5LB)..... 50
- 16. Addressable Repeater Loopback Commands (A3LB and A4LB)..... 53
- 17. HDSL Loss Over Cables..... 55
- 18. HLU-388 Power Parameters—No Doubler 55
- 19. HLU-388 Power Parameters—Single Doubler (HDU-451 List 1 or 2) 56
- 20. HLU-388 Power Parameters—Single Doubler (HDU-439 or HDU-437 Lists 1 and 1B) 56
- 21. HLU-388 Power Parameters—Single Doubler (HDU-409 List 2)..... 56
- 22. HLU-388 Power Parameters—Two Doublers (HDU-451 List 3, 4, 3B, or 4B) 57
- 23. HLU-388 Power Parameters—Two Doublers (HDU-439 or HDU-437 Lists 1 and 1B)..... 57
- 24. HLU-388 Power Parameters—Two Doublers (HDU-409 List 2) 57
- 25. HLU-388 Power Parameters—Three and Four Doublers (HDU-409 List 2)..... 57
- 26. HiGain Doubler Deployment Matrix 64

OVERVIEW

The PairGain® HiGain® Line Unit HLU-388 List 5 is the Central Office (CO) side of a repeaterless T1 transmission system. When used in conjunction with a HiGain Remote Unit (HRU), the system provides 1.544 Mbps transmission on two unconditioned copper pairs over the full Carrier Service Area (CSA) range. The CSA includes loops up to 12,000 feet of 24 American Wire Gauge (AWG) wire or 9,000 feet of 26 AWG wire, including bridged taps. This line unit can be used with HiGain Doubler Units (HDUs) to extend reach.

FEATURES

- Five-span range with four doublers (60 kft, 24 AWG)
- Four line-powered spans (three doublers and one remote)
- Reduced power consumption
- Ultra-low wander (Stratum 1 compliant)
- Low line-power option setting (-140 Vdc) for circuits with a single doubler
- Selectable Power Feed (PWRF) modes: AUTO, HIGH, and LOW
- Grounded loop detection on High-bit-rate Digital Subscriber Line (HDSL)
- Bipolar Violation Transparency (BPVT) options
- Bit Error Rate (BER) alarm options
- HRU loopback screen
- Inventory Screen (displays Circuit ID and unit ID numbers)
- Loss of Signal/Alarm Indicator Signal (LOS/AIS) payload alarm option
- Remote Loss of Signal (RLOS) disable alarm option
- Supports HRU-411 in Personal Communications System (PCS) applications
- Improved performance for AUTO DS1 line code mode
- Default setting screen option
- Payload (PL) or HiGain (HG) loopback source identification
- Troubleshooting screen
- Selectable DS1 pre-equalizer
- Front-panel features:
 - Four-character status display
 - Status Light Emitting Diode (LED)
 - RS-232 craft port for connection to a maintenance ASCII terminal or terminal emulation program
- Compatible with Double Dual Module Plus (DDM+) high-density shelves
- Selectable loopback activation codes
- Network Management and Administration (NMA) interface
- Lightning and power cross protection on HDSL interfaces
- Full duplex 2B1Q HDSL transmission on two pairs at 784 kbps
- Margin threshold alarm

COMPATIBILITY

The HLU-388 List 5 is designed to mount in DDM+ T1 repeater shelves. For a list of compatible shelves, see “Appendix C - Compatibility” on page 63.

All generations of HiGain HLU and HRU modules are compatible with each other. To take advantage of the enhanced features of newer HiGain doublers, refer to “HiGain Doubler Circuit Deployment” on page 63.

APPLICATIONS

HiGain systems provide a cost-effective, easy-to-deploy method for delivering T1 High Capacity Digital Service (HCDS) over metallic pairs.

- The service is deployed over two unconditioned, non-loaded copper pairs, yet it demonstrates a quality that is competitive with fiber optics.
- Conventional, in-line, T1 repeaters are not required.
- Cable pair conditioning, pair separation, and bridged tap removal are not required.

Each loop has no more than 35 dB of loss at 196 kHz, with driving and terminating impedances of 135 Ω .

Table 1 provides a loss guide for the various cable gauges at 196 kHz and 135 Ω . The table applies to the HDSL cable pairs between the HLU, HRU, and HDU modules. In the absence of specific insertion loss measurement data, add 3 dB for each bridged tap and 1 dB for each cable gauge change.

Table 1. HDSL Loss Over Cables

Cable Gauge (AWG/mm)	Loop Loss at 196 kHz (dB/kft)	Loop Resistance (Ω per kft)
26 / 0.4	3.88	83
24 / 0.51	2.84	52
22 / 0.61	2.18	32
19 / 0.91	1.54	16

In general, HiGain systems:

- Operate with any number of other T1, POTS, Digital Data Service (DDS), or other HiGain systems sharing the same cable binder group.
- Can be used with customers requiring DS1 service on a temporary or permanent basis.
- Provide a means of quickly deploying service in advance of fiber-optic transmission systems.

With a HiGain system, service can be provided within hours. Fiber-optic systems can be installed incrementally and cut over from the installed HiGain system when convenient to do so.

HiGain Doubler Applications

For applications without doublers, the HLU-388 is directly connected to the HRU by the two HDSL cable pairs. The HLU-388 List 5 is compatible with all HiGain HRUs.

For doubler applications, one to four doublers may be used in the HDSL loops between the HLU and HRU.

- If the HRU is line-powered, the HLU-388 List 5 can power three doublers and a remote unit (HRU-402 or HRU-411) for a total of four spans.
- If the HRU is locally powered, the HLU-388 List 5 can power up to four doublers for a total of five spans.



These extended ranges are only available when using the HDU-409, HDU-404, or HDU-407 microdoublers with the HRU-411 or HRU-402. Older doublers (HDU-451, HDU-439, and HDU-437) cannot be used in circuits with more than two doublers in any line or local power system. For compatibility guidelines on mixing newer doublers with older HRU and HLU models, refer to “[HiGain Doubler Circuit Deployment](#)” on page 63.

For additional information about associated HiGain equipment, refer to the respective HiGain technical practice (see “[Appendix D - Product Support](#)” on page 65).

Personal Communications System Applications

The HLU-388 List 5 is required for PCS applications that use the HRU-411. The HRU-411 has an onboard 130 Vdc, 8.5 W power supply that can power the 200 mW PCS remote radio ports. The line unit recognizes the HRU-411 (if the CPE power switch is set to ON) and performs the following two functions required by the HRU-411 to bring up the National Electrical Code (NEC) radio port:

- Increases the HDSL line voltage to its high ± 112 Vdc level with the PWRF option set to AUTO
- Enables HRU-411 to turn on its 130 Vdc radio port supply

FRONT PANEL

The HLU-388 List 5 front panel is shown in [Figure 1](#). [Table 2 on page 5](#) describes the front-panel components. For pinout diagrams of the HLU card-edge connector, refer to “[HLU-388 List 5 Card Connector](#)” on [page 59](#).

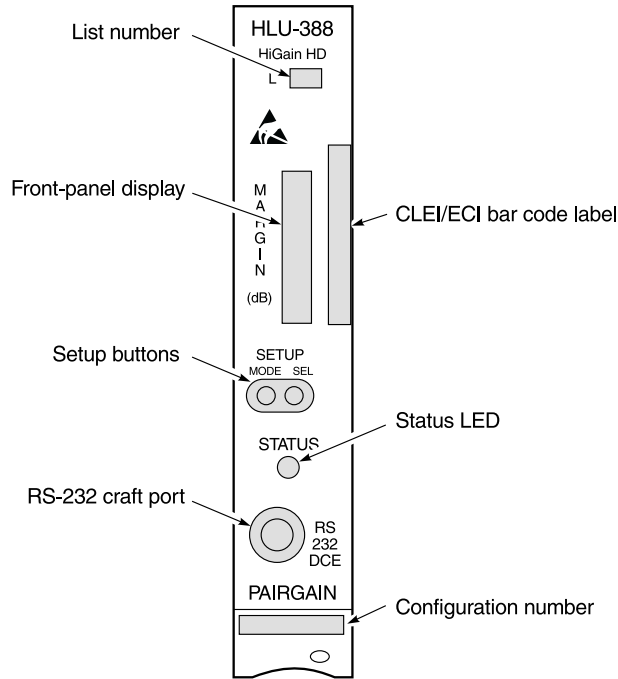


Figure 1. HLU-388 List 5 Front Panel

Table 2. Front-panel Description

Front-panel Feature	Function
Front-panel display	Displays four-character status, provisioning, and alarm system messages. The front-panel display illuminates when power is initially applied. To conserve power the display only remains lit for 4 minutes. Using the MODE or SEL buttons reactivates the display and restarts the 4-minute timer. Refer to Table 3 on page 6 for a listing of the four-character messages.
Setup buttons	Permits the user mode and selections to be monitored and modified without a maintenance terminal. Used to initiate all HiGain loopbacks and to display DSX-1 line parameters and line unit identity.
Status LED	Reports the status on the following conditions:
Green	Normal operation
Flashing green	HDSL acquisition
Red	Fuse Alarm
Flashing red	System Alarm
Yellow	Self Test is in process or an HLU-388 List 5 Customer Remote Loopback (CREM) or a Network Local Loopback (NLOC) is in effect.
Flashing yellow	HLU-388 List 5 is armed to respond to Intelligent Repeater (IR) loop codes.
RS-232 craft port	Provides bidirectional communication between the unit and an external terminal to allow configuration and performance monitoring through the Maintenance Terminal screens.
CLEI and ECI bar code label	Provides the human-readable Common Language Equipment Identifier (CLEI) code number and the Equipment Catalog Item (ECI) bar code number.
List number	Identifies the version of HLU-388.
Configuration number	Contains either a five- or six-digit warranty configuration number or a standalone two- or three-digit configuration number as follows: Digit 1 - Last digit of shipment year Digits 2 and 3 - Shipment month Digits 4, 5, and 6 - Configuration number The configuration number can also be found on a small bar label that contains the Julian date code and part number. This gummed label may be affixed to the PC board or to the front panel.

Table 3 lists the front-panel display messages. The four-character display reports the code of a pertinent alarm, loopback, or diagnostic message. In some cases the four-character display is followed by a second four-character message that modifies the first with a value or current configuration setting.

The front-panel display turns on when power is initially applied to the HLU-388. To conserve power, the display only remains on for 4 minutes. The use of the MODE or SEL buttons activates the front-panel display and restarts the 4 minute, power-control timer.

Table 3. Front Panel Display Messages

Message	Full Name	Description
ALARM MESSAGES		
ACO	Alarm Cutoff	A system alarm has occurred and has been retired to an ACO condition by pressing the SEL button on the HLU front panel.
ALRM	Alarm Condition	A system alarm condition is in effect.
BER	Bit Error Rate	A system BER alarm is in effect.
LLOS	Local Loss of Signal	Indicates that no signal is detected at the T1 input to the HLU. Causes a system alarm.
LOSW	Loss of Sync Word	Indicates that one of the HDSL loops has lost sync. Causes a system alarm.
MAL1 or MAL2	Margin Alarm Loop 1 or Loop 2	The margin on HDSL Loop 1 or Loop 2 has dropped below the threshold (1 to 15 dB) as set by the operator.
RLOS	Remote Loss of Signal	Indicates that no signal is detected at the DS1 input to the HRU. Causes a system alarm.
LOOPBACK MESSAGES		
CDU n ?	Customer Doubler Unit n Loopback	Query to initiate loopback at doubler n to CI, where n is the number of the doubler.
CLOC	Customer Local Loopback	Signal from customer is looped back to the customer at the HRU.
CREM	Customer Remote Loopback	Signal from customer is looped back to the customer at HLU-388.
NDU n ?	Network Doubler Unit n Loopback	Query to initiate loopback at doubler n to network, where n is the number of the doubler.
NLOC	Network Local Loopback	DSX-1 signal is looped back to DSX-1 at HLU.
NREM	Network Remote Loopback	DSX-1 signal is looped back to DSX-1 at the HRU.
SMJK	Remote SmartJack Loopback	DSX-1 is looped back at the HRU by the HRU SmartJack module.
TLOS	Transmit Loss of Signal	DSX-1 signal is looped back to the DSX-1 interface at the HRU. HRU is in a logic loopback state caused by a loss of its DS1 input from the CI, if enabled at the HRU by its TLOS switch option.
DIAGNOSTIC MESSAGES		
1=xx or 2=yy	HDSL Loop Margins	Indicates the power of the received HDSL signal on each loop relative to noise. Any value of '06' or greater is adequate for reliable system operation.
ACQ1 or ACQ2	Acquisition 1 or Acquisition 2	The multiplexers of the HLU and the HRU, or first doubler, are trying to establish synchronization over Loop 1 or Loop 2 of Span 1.
A n L1 or A n L2	Acquisition n Loop 1 or Loop 2	The multiplexers of the two devices on Span n are trying to establish synchronization with each other on Loop 1 or Loop 2, where n is the number of the span.
ARM	HiGain System Armed	Armed to respond to Intelligent Repeater loop codes.

Table 3. Front Panel Display Messages (Cont.)

Message	Full Name	Description
BAD RT?	No response from HRU	The HLU does not receive any response from the HRU. Thus, the integrity of the HRU or the two HDSL loops (they may be open) is questionable.
CODE xxxx	Line Code: AMI, B8ZS, AUTO	The line code that HLU-388 List 5 is receiving at its DSX-1 interface, if the DS1 option is set to Auto. Otherwise, it mimics one of the other two DS1 line code settings: Alternate Mark Inversion (AMI) or Bipolar with 8-zero Substitution (B8ZS). Displayed during System Settings review mode.
DS0	DS0 Blocked Channels	Indicates status of DS0 blocked channels. NONE indicates no channels are blocked. BLK indicates some channels are blocked.
FERR	Framing Bit Error	Framing bit error occurred at HLU T1 input.
FRM	Frame: SF, ESF, UNFR, NONE	Defines the type of frame pattern being received from the DSX-1: SuperFrame (SF), Extended SuperFrame (ESF), Unframed (UNFR), or NONE. Displayed during System Settings review mode.
H1ES or H2ES	HDSL CRC Error Channel 1 or Channel 2	HDSL Loop 1 or Loop 2 CRC error.
nHDU	Number of Doublers	This message indicates the number (<i>n</i>) of doublers in the circuit.
INSL, then xxdB	Insertion Loss (Maximum)	The Maximum Insertion Loss message (INSL) appears followed by xxDB, where xx is the maximum insertion in dB of all spans and loops.
LBPV	Local Bipolar Violation	A bipolar violation has been received at the T1 input to the HLU-388.
LIST xxxx	HLU-388 List Number	The software list number appears during the System Settings review mode. Press the MODE button for 3 seconds to display the list number.
MNGD	Managed	The HLU is under control of the HMU-319 network management unit. In this state, the front-panel craft port is disabled.
PWRF GND	Power Feed Ground	One of the HDSL loops has been grounded.
PWRF ON	Power Feed On	Indicates that the HDSL loops are not grounded or shorted.
PWRF OFF	Power Feed Off	HDSL span power has been turned off by setting the PWFD option to DIS, or HDSL span power has been turned off by use of the A1LB/A2LB/A5LB Intelligent Office Repeater (IOR) Power Down code.
PWRF SHRT	Power Feed Short	Indicates a short between the two HDSL pairs. This same message can occur with an HRU that is drawing the correct amount of power over good cable pairs but cannot communicate with the HLU.
SELF TEST	Self Test	The HLU is in a self-test mode. This occurs every power On/Off cycle.
SIG1 or SIG 2	Signal 1 or Signal 2	The transceivers of the HLU and the HRU, or first doubler, are trying to establish contact with each other on Loop 1 or Loop 2 of Span 1.
S _n L1 or S _n L2	Signal <i>n</i> Loop 1 or Loop 2	The transceivers of the first doubler and either the HRU or second doubler are trying to establish contact with each other on Loop 1 or Loop 2 of Span <i>n</i> .
VER xxxx	HLU-388 Version Number	The software version number (xxxx) appears during the System Settings review mode. Press the MODE button for 3 seconds to display the software version.

INSTALLATION



Upon receipt of the equipment, visually inspect the contents for signs of damage. If the equipment has been damaged in transit, immediately report the extent of damage to the transportation company and to PairGain Technologies.



When installing an HLU in a chassis, be sure to wear an antistatic wrist strap. Avoid touching components on the circuit board.

To install the HLU-388 into a shelf, align the HLU with the enclosure slot guides (Figure 2), slide the HLU unit in, then press down on the front panel until the unit is secure.

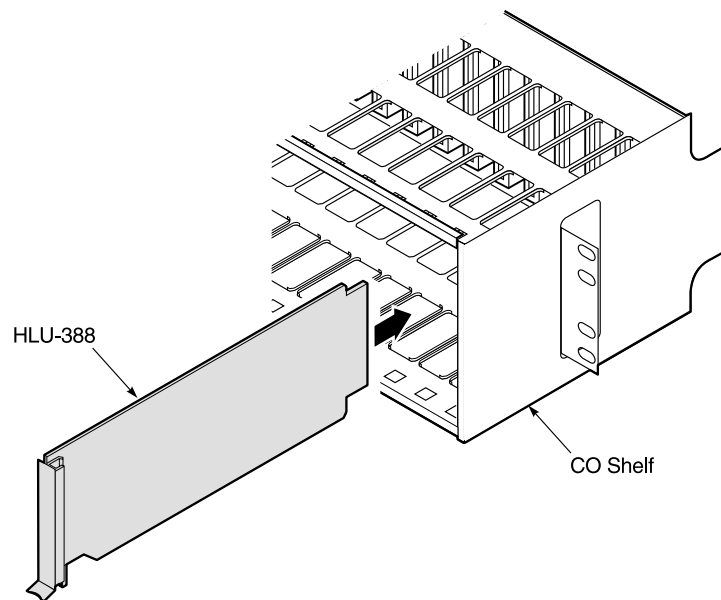


Figure 2. Installing the HLU-388 List 5 into a Shelf



To comply with the intrabuilding wiring requirements of GR-1089 CORE, Section 4.5.9, the shields of the ABAM-type cables that connect the HLU-388 List 5 DSX-1 output ports to the cross-connect panel must be grounded at both ends.

VERIFICATION

Once the HLU-388 is installed, verify that it is operating properly. To do this, you need to monitor the following:

- Status LED
- Status messages reported by the front-panel display (see [Table 3 on page 6](#))

Verification without a Downstream Device

If there is no downstream device installed:

- 1 Verify that the HLU powers up. The front-panel display illuminates and reports four-character status messages. (See [Table 3 on page 6](#) for a list of messages.)
- 2 Verify that the HLU attempts to communicate with downstream devices. Even if a downstream device is not present, the following events should occur:
 - a The front-panel display reports four-character status messages.
 - b The HLU enters self-test mode (Status LED is yellow).
 - c The HLU again attempts communication with downstream devices, repeating events a and b until a downstream device is detected.

Verification with a Downstream Device

If a downstream device has been installed:

- 1 Verify that the HLU powers up. (The front-panel display illuminates and reports status messages.)
- 2 Verify that the HLU attempts to communicate with downstream devices (Status LED flashes green). One of the following occurs:
 - If downstream devices are successfully identified and the HDSL loops synchronize, the HLU status LED is a steady green. The HLU reports normal margin messages on the front-panel display.
 - If downstream devices are not successfully identified, the HLU reports four-character status messages and enters self-test mode. The HLU successively:
 - completes self-test mode
 - attempts communication again
 - reports four-character status messages.

The HLU repeats this cycle until a downstream device is detected.

- 3 If there is more than one span, verify that each subsequent span synchronizes normally by monitoring the front-panel display messages.
- 4 If a remote unit is installed, verify that the last span synchronizes normally. The HLU status LED should be a steady green, and the front-panel display reports normal margin messages.
- 5 Verify that a valid T1 signal has been applied to the HLU and the HRU.
 - If no T1 signal is being applied to either the HLU or the HRU inputs, then the appropriate T1 alarms (LLOS or RLOS) are observed on the front-panel display and the status LED flashes red.
 - If a valid T1 signal is being supplied to the HLU and HRU, then T1 alarm indications should be absent and the status LED should be a steady green.

PROVISIONING REQUIREMENTS

Refer to “[Provisioning](#)” on page 11 for information about using the MODE and SEL buttons or the Maintenance Terminal screens to configure the HLU. While the MODE and SEL buttons can be used to manually accomplish some provisioning tasks, such as setting system options, the Maintenance Terminal screens (available when you connect a PC to the craft port) can handle all provisioning tasks.

Tasks that you need to complete are:

- 1 Setting the time and date (see “[Set Clock Screen](#)” on page 21).
- 2 Setting the circuit ID numbers (see “[System Inventory Screen](#)” on page 37).

Assuming that the HLU has been successfully installed and provisioned, you should do the following to ensure an accurate Alarm History and Performance History.

- 1 Clear the Span Status, Performance Data, and Performance History screens. This can be accomplished by pressing **C** (clear) at the Span Status screen (see “[View Span Status Screen](#)” on page 16).
- 2 Clear the Alarm History screens (see “[View Alarm History Screen](#)” on page 35).

PROVISIONING

This is a reference section for HLU provisioning. There are two methods for provisioning the HLU-388 List 5:

- Use the MODE and SEL buttons on the front panel of the HLU to:
 - set system options
 - reset the HLU to its factory default settings for system options
 - display system option settings (scroll mode)
 - select system loopbacks
- Use a maintenance terminal (ASCII terminal or a PC running terminal emulation software) connected to the HLU craft port to access the Maintenance Terminal Main Menu (Figure 3 on page 15). This gives you full access to all HLU status, history, inventory, and provisioning screens.



No dip switches or jumpers are required to provision the HLU-388 as it contains a nonvolatile RAM (NVRAM) which stores the system option settings. System option settings are retained if shelf power is lost or if the HLU-388 is unplugged.

USING THE MODE AND SEL BUTTONS

Setting Options through MODE and SEL

To provision the HLU-388 List 5 through the MODE and SEL buttons on the front panel:

- 1 Press the MODE button for 2 seconds and then release it. The front-panel display alternately shows the first system parameter and its current setting.
- 2 Press the SEL button to step the display through all possible settings of the selected parameter.
- 3 After the desired setting has been selected, press the MODE button. This updates the current displayed parameter to the selected setting, and then advances to the next configurable parameter. After the last parameter has been selected, a CONF NO message appears on the front-panel display.
- 4 Do one of the following:
 - To cancel the session without saving the requested parameter changes, press the MODE button or, do nothing. (After 30 seconds, the display returns to its normal mode without saving the new changes.)
 - To accept the requested parameter changes, press the SEL button. (A CONF YES message displays, and the display returns to its normal mode after saving the new changes.)

Resetting to Factory Default Values

All user options (Table 9 on page 23) can be set to the factory default values using the MODE and SEL buttons. To set the user options to their default values:

- 1 Press the SEL button for 6 seconds until the following message appears:

DFLT NO

- 2 Press the SEL button while the DFLT NO message is displayed.

The message changes to DFLT YES indicating the factory default values are now in effect and the display returns to the normal mode.

To terminate the DFLT NO mode without setting the factory default values, do one of the following:

- Press the MODE button to return to the normal display mode.
- Wait 30 seconds for the unit to return to the normal display mode.

Displaying System Parameter Settings

To scroll through the current settings of all system parameters, press the MODE button for 3 or more seconds. The following parameters are displayed:

- HLU software version number
- HLU list number
- Type of frame pattern being received from the DSX-1
- Line code of the signal being received from the DSX-1 (see note)
- HDSL power level setting
- All user-configured parameter settings



The line code parameter is the actual DSX-1 line code being received by the HLU if the DSX-1 code pattern is set to AUTO. If not, the line code parameter mimics the line code settings of Alternate Mark Inversion (AMI) or Bipolar with 8-Zero Substitution (B8ZS).

Disabling an Alarm

If the system is in a Minor alarm state, the alarm relay can be disengaged by pressing the SEL button. This turns off the Alarm Cutoff (ACO) indication.

Loopback Modes

See “Loopback Operation” on page 44 for instructions on using the MODE and SEL buttons to activate loopbacks.

USING A MAINTENANCE TERMINAL

Connecting to a Maintenance Terminal

A miniature, 3-pin, 210 Bantam-type jack on the front panel serves as a craft port and allows connection between the HLU-388 and a maintenance terminal (ASCII terminal or PC running a terminal emulation program).

A 210-to-DB-9 adapter is provided with every unit to facilitate the use of standard RS-232, DB-9 cables (see [Figure 28 on page 60](#)). Once connected to a maintenance terminal, you can access the maintenance, provisioning, and performance screens.

To connect to a maintenance terminal:

- 1 Insert the 210-to-DB9 adapter into the RS-232 jack on HLU-388 front panel.
- 2 Connect an RS-232 cable to the adapter.
- 3 Connect the other end of the cable to the console port on the maintenance terminal.
- 4 If necessary, start a terminal emulation program.
- 5 Configure the maintenance terminal to the following communication settings:
 - 1200 to 9600 baud (9600 baud is recommended)
 - No parity
 - 8 data bits
 - 1 stop bit
 - Hardware flow control to OFF
- 6 Press the **SPACEBAR** several times to initiate the autobaud connection and to initialize the Maintenance Terminal screens.

Accessing the Maintenance Terminal Screens

The following sections describe how to use the Maintenance Terminal screens to view, provision, and diagnose an HLU-388 List 5 system.

Navigation Keys

Table 4 lists the keys you can use on the maintenance terminal to navigate the Maintenance Terminal screens.

Table 4. *Navigational Keys on the Maintenance Terminal*

Key	Function
A	Automatically updates the screen data
U	Updates screen data
C	Clears screen data
S	Selects the next Span Status screen
1 , 2 , 3 , 4 , or 5	Selects a specific Span Status screen (for doubler applications)
P	Selects the previous page of screen data
N	Selects the next page of screen data
E	Exits the current screen
L	Selects the Loopback menu from the Troubleshooting screen
B	Returns to the main Troubleshooting screen from the Troubleshooting (H)elp, (M)argin Values, or (I)nsertion Loss screens

Maintenance Terminal Main Menu

Figure 3 shows the Maintenance Terminal Main Menu from which you can access system administration screens. The function of each screen selection is listed in Table 5. To access a screen, type the letter shown next to the menu item.

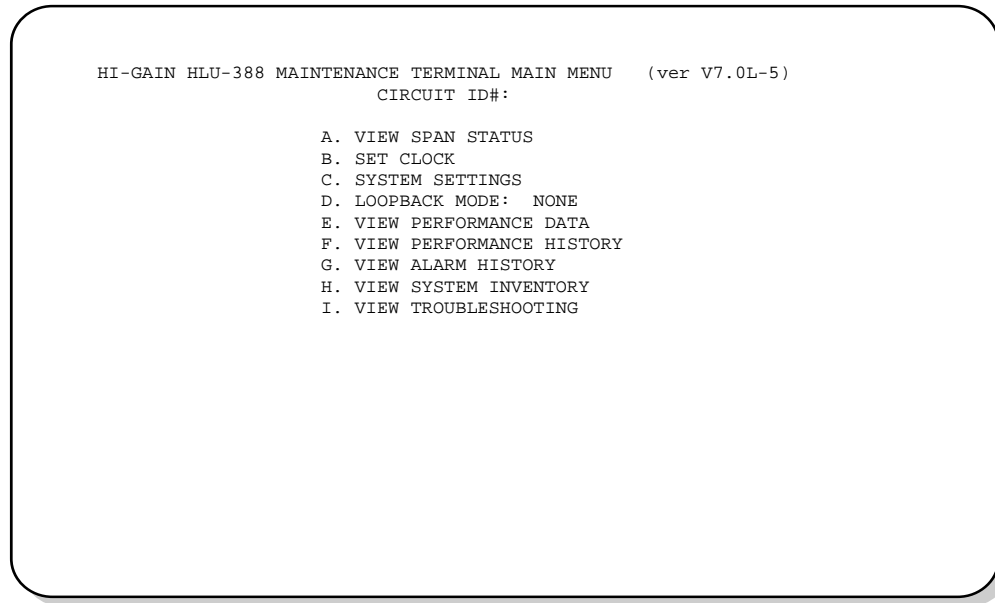


Figure 3. Maintenance Terminal Main Menu

Table 5. Maintenance Terminal Screens

Press Key	To View Screen	Screen Description	See page:
A	View Span Status	Provides access to subscreens that allow you to monitor the HDSL and T1 line status between the HLU and the HRU.	16
B	Set Clock	Allows you to set both the time and the date parameters at the HLU and to update the same settings at the HRU.	21
C	System Settings	Allows you to set all user options.	22
D	Loopback Mode	Provides access to a subscreen that allows you to enable and disable loopbacks at both the network and customer side.	28
E	View Performance Data	Provides access to subscreens that allow you to view the Errored Seconds (ES) and Unavailable Seconds (UAS) between the HLU and the HRU in 15-minute intervals over a 4-hour time period per screen for a total of 24 hours (6 screens).	31
F	View Performance History	Provides access to subscreens that allow you to view the ES and UAS between the HLU and the HRU in 24-hour intervals over a 31-day period.	33
G	View Alarm History	Provides access to subscreens that allow you to view alarm conditions between the HLU and the HRU.	35
H	View System Inventory	Allows you to enter a unique circuit ID number (up to 24 alphanumeric characters).	37
I	View Troubleshooting	Provides a graphical analysis of the circuit and identifies problem areas.	39

Selecting a Maintenance Terminal Function

To perform a function within the Maintenance Terminal screens, you can:

- Press the key indicated to the left of the selection.
- Press the letter in parenthesis for the parameter to be changed.

An invalid entry produces the following message and identifies the name of a field where the invalid entry occurred:

```
> error
```

This happens only for margin alarm threshold or DS0 blocking.

System Spans

As shown in [Figure 4](#), the HLU can support up to four doublers with five HDSL spans. The Span Status, Performance Data, and Performance History may display as many as five screens to depict an HLU-388 List 5 system.

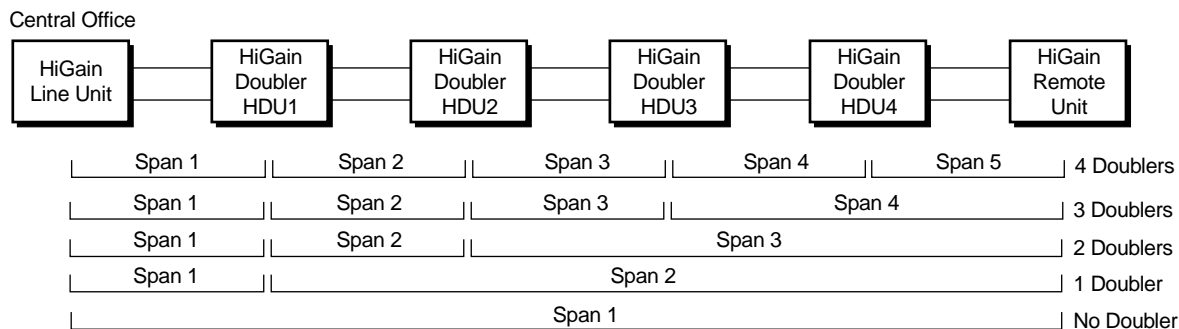


Figure 4. System Spans

USING THE MAINTENANCE TERMINAL SCREENS

View Span Status Screen

The View Span Status option allows you to view up to five system status screens that provide information about the HDSL Loop 1, HDSL Loop 2, and the DS1. For doubler applications, the available Span Status screens depend on whether the system includes one, two, three, or four doublers.

Press **A** from the Maintenance Terminal Main Menu to open the Span Status screen ([Figure 5 on page 17](#)). If no doubler (HDU) is present, the screen reports span status for the subscriber lines between the HLU and the HRU.

If there are additional doublers, the Span Status screen reports status on each span. [Figure 6 on page 18](#) shows status between HDU4 and the HRU in a system with four doublers. Refer to [Table 6 on page 19](#) for an explanation of the Span Status fields.

From each Span Status screen, you can:

- Press **C** to clear the cur (current), min (minimum), and max (maximum) numeric counts. This also clears the Performance History and Performance Data screens.
- Press **A** to automatically update status screens. (Press **A** again to turn off auto update.)
- Press **U** to update current (cur) values.

- Press **S** to view the next available span (for doubler applications).
- Press **E** to exit and return to the previous screen.
- Press **1**, **2**, **3**, **4**, or **5** to select a specific span (for doubler applications).

Span Status Screen without Doublers

```

                                SPAN STATUS
TIME: 00:27:25
DATE: 02/18/00
ALARMS: NONE
LOOPBACK: OFF
POWER LEVEL: LOW
                                CIRCUIT ID#:

                                HLU                                HRU
                                HDSL-1  HDSL-2  HDSL-1  HDSL-2
                                cur/min/max cur/min/max cur/min/max cur/min/max
MARGIN:                        21/20/22  23/22/24  21/19/22  22/21/24 dB
PULSE ATTN:                     00          00          00          00 dB
INS LOSS:                        00          00          00          00 dB
24 HOUR ES:                      00004      00003      00006      00007 seconds
24 HOUR UAS:                      00014      00013      00000      00001 seconds

                                DSL STATUS
24 HOUR ES Count:                HLU          HRU
                                00001          00002
24 HOUR UAS Count:                HLU          HRU
                                00000          00002
Frame type:                        SF          SF
Code type:                          AMI          AMI

AUTOUPDATE OFF                    (E)xit (C)lear (A)uto(U)pdate

```

Figure 5. Span Status Screen without Doublers

Table 6 lists the Span Status fields and descriptions. Table 7 and Table 8 on page 20 describe alarm and loopback messages displayed on the Span Status screens.

Table 6. *Span Status Fields and Descriptions*

Span Status Field	Description
Time	Time of day when Span Status was checked.
Date	Date when Span Status was checked.
Circuit ID#	Shows the user-defined circuit ID.
Alarms	Presence or absence of alarm conditions. See Table 13 on page 42.
Loopback	Indicates Off condition or identifies specific active loopback. See Table 14 on page 45.
Power Level	Indicates the HDSL line voltage in its Low (-140 Vdc) or High (± 112 Vdc) state.
Margin	Indicates the excess signal to noise ratio at all HDSL ports, relative to a 10^{-7} Bit Error Rate. <ul style="list-style-type: none"> • First value is current margin. • Second value is minimum margin since last cleared. • Third value is maximum margin since last cleared. • N/A means that the margin is not available. <p>The minimum and maximum margins are cleared and updated every time the Span Status screen is cleared and every time the system clock passes 12:00 AM midnight.</p>
Pulse ATTN	Indicates the attenuation of the 2B1Q pulse from the distant end. The value is related to the 196 kHz loss of the cable pair. The pulse attenuation is a more direct indication of the loop attenuation to the 2B1Q signal than is the 196 kHz loss. The normal HiGain ATTN operation range is from 0 to 28 dB.
INS Loss	Indicates the approximate insertion loss of the loops at the HDSL line rate of 196 kHz. It is generated by multiplying the pulse attenuation by 1.25. Normal range is 0 to 35 dB.
24-Hour ES	The number of one second intervals that contained at least one CRC error. This value is a running total of the last 24 Hours.
24-Hour UAS	The number of seconds the HDSL loop was out of sync over a 24-hour period.
24-Hour ES Count	The number of seconds in which at least one error was detected on the DS1 input over a 24-hour period. Errors included are: DS1 frame errors; and UAS, BPV, and ESF CRC errors.
24-Hour UAS Count	The number of seconds during which the DS1 input signal was absent (175 ± 75 consecutive zeroes) over a 24-hour period.
Frame type	Type of DS1 framing used on the input stream (SF or ESF).
Code type	Type of DS1 line coding used (AMI, B8ZS, AMI: ZBTSI, or B8ZS: ZBTSI). The latter two indicate the code type that is being received when HiGain line is set to ZBTS1 mode. When set to AMI or B8ZS, the HLU displays the selected code rather than the code type that is actually being received.



The Span Status screens shown on the previous page display a four-character code under the Alarms entry. These codes are described in Table 7 on page 20.

The following codes are reported with a RCV or XMT prefix that indicates the signal is being transmitted or received: LLOS, RLOS, LAIS, or RAIS.

RCV (xxxx) - Signal received (xxxx) at the T1 input to either the HLU or HRU.

XMT (xxxx) - Signal transmitted (xxxx) at the T1 output of either the HLU or HRU.

Table 7. HDSL System Alarms

Message	Name	Description
BER	Bit Error Rate	The Total System Error Count (TSEC) has exceeded the user-selected threshold.
LOSW	Loss of Sync Word	One of the HDSL loops has lost synchronization.
LLOS	Local Loss of Signal	No signal from HLU-388 List 5 local T1 input.
MAL1 or MAL2	Margin Alarm 1 or Margin Alarm 2	The margin on the HDSL Loop 1 or Loop 2 has dropped below the threshold (1 to 15 dB) set by the user. Setting the threshold to zero inhibits the margin alarm.
NONE	No Alarm	No alarm is indicated.
RAIS or LAIS	Remote (or Local) Alarm Indicating Signal	Indicates an AIS pattern of all ones is being transmitted from the remote (or local) T1 output port.
RLOS	Remote Loss of Signal	Indicates that no signal is detected at the DS-1 input to the HRU.

Table 7 lists loopback messages displayed on the Span Status screens. For information about loopback codes, see “GNLB Test Procedures” on page 48.

Table 8. Loopback Messages

Message	Full Name	Description
ARM	Armed	The HiGain system has detected the Intelligent Repeater (IR) loopback arming code (2-in-5).
CDU n	Customer Doubler n Loopback	Loopback at Doubler (n) to Customer Installation (CI) initiated by an ILR code, the MODE and SEL buttons on HLU-388 List 5 front panel, or by the maintenance terminal.
CHREV-SP n	Channels Reversed	The Loop 1 and Loop 2 HDSL pairs are reversed at Span n . Loop 1 is specified to carry the (-) simplex DC voltage, and Loop 2 is specified to carry the (+) simplex DC voltage. SP n indicates that the first occurrence of a reversed span is on Span n , where n is the number of the span.
CLOC	Customer Local Loopback	Loopback at HRU (local) to CI initiated from Customer Premises Equipment (CPE) by the ILR #2 code, the MODE and SEL buttons on the HLU-388 front panel, or by the maintenance terminal.
CREM	Customer Remote Loopback	Loopback at HLU-388 (remote) to customer initiated by Intelligent Office Repeater (IOR) code, the MODE and SEL buttons on the HLU-388 front panel, or by the maintenance terminal.
(HG)	HiGain	The loopback was initiated from a HiGain front panel or by a HiGain maintenance terminal loopback command.
NDU n	Network Doubler n Loopback	Loopback at Doubler (n) to network initiated by ILR code, by the MODE and SEL buttons on the HLU-388 front panel, or by the maintenance terminal.
NLOC	Network Local Loopback	Loopback HLU-388 (local) to network initiated from CO by IOR code, the MODE and SEL buttons on the HLU-388 front panel, or by the maintenance terminal.
NREM	Network Remote Loopback	Loopback at HRU to network initiated from CO (network) by ILR #2 code, the MODE and SEL buttons on the HLU-388 front panel, the HRU manual loopback button, or by the maintenance terminal.
OFF	Off	No active loopback mode.
(PL)	Pay Load	The loopback was initiated by a command that was embedded in the T1 data path.
SMJK	SmartJack Loopback	Loopback from HRU to network initiated by (2-in-5) inband loopback code or out-of-band ESF data link code.
TLOS	Transmit Loss of Signal Loopback	HRU is in a logic loopback state caused by a loss of its T1 input from the CI (if enabled at the HRU through its TLOS switch option).

Set Clock Screen

Press **B** at the Maintenance Terminal Main Menu to open the Set Clock screen (Figure 7).



Figure 7. Set Clock Screen



All time information is lost when power is removed. The last date, however, is retained in NVRAM and reappears when power is restored.

Set Time

The cursor defaults to the New Time field. To set the system time, type the hour and minute in the 24-hour format of hh:mm:ss (setting the seconds is optional), then press **ENTER**. The New Date field appears.

Set Date

To set the system date, type the month, day, and year in a mm/dd/yy format, then press **ENTER**. The Update Remote field appears.



When editing entries in the Set Clock screen and when using the terminal emulation program in Windows 3.1, pressing the **BACKSPACE key deletes two characters instead of just one.**

Update the HRU Time and Date

The remote unit's time and date are set by using this option. Do one of the following:

- Press **U** to update the HRU to the same time and date set for the HLU-388 List 5.
- Press **ENTER**. (The time and date are not updated.)

System Settings Screen

The options set from the System Settings screen are the same as the options set through the HLU-388 front panel MODE and SEL buttons (except for Margin Alarm Threshold and DS0 Blocking, which can only be set at this screen). See [Table 9 on page 23](#) for a listing of system setting options.

Press **C** at the Maintenance Terminal Main Menu to open the System Settings screen ([Figure 8](#)).

```

                                SYSTEM SETTINGS

TIME: 12:46:06
DATE: 02/18/00                                CIRCUIT ID#:

A. EQUALIZATION....: 0                        O. MARGIN ALARM THRESH : 4
B. SMARTJACK LPBK.: ENABLED                    P. RLOS (DS1 LOS) ALARM: ENABLED
C. SPECIAL LPBK....: GNLB                      Q. ALARM PATTERN.....: AIS
F. POWER.....: AUTO                            R. BPVT.....: DISABLED
G. ZBTSI.....: OFF
H. BER ALARM THRESH: NONE
I. LOOPBACK TIMEOUT: 60
J. DS1 LINE CODE...: AMI
K. FRAMING.....: AUTO
L. AIS ON HDSL LOSW: 2 LOOPS
M. AIS ON SMJK/NREM: ENABLED

                                N. DS0 BLOCKING: xx = Blocked Channels
01 02 03 04 05 06 07 08 09 10 11 12 13 14 15 16 17 18 19 20 21 22 23 24

                                (D)efaults, (E)xit
                                Enter the option letter to change setting

(C)onfirm

```

Figure 8. System Settings Screen

You have the following options at the Systems Settings screen:

- Press the desired option letter to change that setting.
- Press **D** to set all user options to the factory default values.
- If changes were made, press **C** when exiting to confirm, or press any other key to ignore changes.
- Press **E** to exit and return to the main menu.

Table 9 describes the System Settings options and lists the corresponding front-panel display codes. Factory default parameters appear in boldface type.

Table 9. HLU-388 List 5 System Settings

System Settings Screen Options	Front-panel Display Code	Parameter	Description
Equalization		0	Sets the Equalizer to DSX-1 for 0 to 133 feet.
		133	Sets the Equalizer to DSX-1 for 133 to 266 feet.
		266	Sets the Equalizer to DSX-1 for 266 to 399 feet.
		399	Sets the Equalizer to DSX-1 for 399 to 533 feet.
		533	Sets the Equalizer to DSX-1 for 533 to 655 feet.
SmartJack Loopback	LBPK	DIS	Configures the HiGain system to ignore all inband SmartJack loopback commands.
		ENA	Enables the HiGain system to recognize all inband SmartJack loopback commands.
Special Loopback	SPLB	GNLB	Configures the HiGain system to respond to the generic inband loopback codes.
		A1LB and A2LB	Configures the HiGain system to respond to the inband loopback codes of the Teltrend addressable repeater.
		A3LB	Configures the HiGain system to respond to the inband loopback codes of the Wescom addressable repeater.
		A4LB	Configures the HiGain system to respond to the inband loopback codes of the Wescom Mod 1 addressable repeater.
		A5LB	Configures the HiGain system to respond to the inband loopback codes of the Teltrend Mod 1 addressable repeater.
Power (See "HDSL Line Voltage Options" on page 27.)	PWRF	DIS	Disables powering to the HDSL pair.
		LOW	Keeps the HDSL line voltage at -140 Vdc maximum for all applications.
		AUTO	Allows the HDSL line voltage to automatically switch between -140 Vdc maximum for non-doubler applications and ± 112 Vdc for doubler applications.
		HIGH	Forces the HDSL line voltage to ± 112 Vdc for all applications.
ZBTSI	ZBTS	ON	Tells the HiGain system that the ESF frame is operating in its Zero-Byte Timeslot Interchange (ZBTSI) mode.
		OFF	Tells the HiGain system that the ESF frame is operating in its normal non-ZBTSI mode.
BER Alarm Threshold (See "BER Option" on page 26.)	BERT	1E-6	Alarm activates when BER threshold exceeds 10^{-6} .
		1E-7	Alarm activates when BER threshold exceeds 10^{-7} .
		NONE	Prevents generation of a system alarm due to BER.
Loopback Timeout	LBTO	NONE	Disables automatic time-out cancellation of all loopbacks.
		20	Sets automatic cancellation of all loopbacks to 20 minutes after initiation.
		60	Sets automatic cancellation of all loopbacks to 60 minutes after initiation.
		120	Sets automatic cancellation of all loopbacks to 120 minutes after initiation.
DS1 Line Code (See "DS1 Line Code Option" on page 26.)	CODE	AUTO	The HLU and HRU monitor the incoming T1 bit streams for the B8ZS line code. If the HRU detects this code, the HLU enters B8ZS output mode. The HLU reverts back to AMI output mode if no B8ZS codes are received at the HRU input for 5 seconds. Similarly, when the HLU detects the B8ZS code, the HRU enters the B8ZS mode and returns to AMI mode if no B8ZS code is received at the HLU input for 5 seconds.
		B8ZS	Places both the HLU and HRU into their B8ZS modes.

Table 9. HLU-388 List 5 System Settings (Cont.)

System Settings Screen Options	Front-panel Display Code	Parameter	Description
		AMI	Places both the HLU and HRU into their AMI modes.
Framing	FRMG	AUTO	Configures the HiGain system to operate in an auto-framing (AUTO) mode in which it continuously searches the input T1 bit stream for a valid SF or ESF frame pattern. This feature is required for fractional T1 applications (DS0 blocking) where it insures proper channel time slot alignment. While the HiGain system can also process unframed data in this AUTO mode, it is recommended that the unframed (UNFR) mode be used for all unframed applications. Using the AUTO mode for unframed applications runs the risk of detecting pseudovalid frame sequences, which can affect the data integrity.
		UNFR	Configures the HiGain system to operate in an unframed mode. This mode disables the auto framing process and forces the HiGain system to function as a transparent bit pipe.
AIS on HDSL LOSW (See "HAIS Option" on page 27.)	HAIS	2LP	Causes the HiGain system to transmit the AIS signal at both the HLU-388 and HRU T1 output ports when both of the HDSL loops are not in sync (LOSW).
		1LP	Causes the HiGain system to transmit the AIS signal at both the HLU-388 and HRU T1 output ports when either of the two HDSL loops is not in sync (LOSW) or if a Margin alarm occurs.
AIS on SMJK/NREM	SAIS	ENA	Causes the HRU to transmit the AIS signal towards the Customer Interface (CI) when in NREM or SmartJack loopback.
		DIS	Causes the HRU to either transmit the signal from the network towards the CI RCV port or to open and terminate its RCV CI port when an HRU NREM or SmartJack loopback is executed. The AIS signal is not sent (towards the CI).
DS0 Blocking (See "DS0 Blocking Option" on page 26.)	DS0	BLK	The DS0 blocking option can only be set through a maintenance terminal connected to the craft port. The four-character front-panel display only shows the status of the blocking option. BLK indicates at least one channel is blocked.
		NONE	Indicates no channels are blocked.
Margin Alarm Threshold (See "Margin Alarm Threshold Option" on page 27.)	MARG	0 to 15 dB	The Margin Alarm Threshold can only be set through a maintenance terminal connected to the craft port. It determines the minimum allowable margin below which a system alarm can occur. Zero disables the alarm.
		4dB	Default value.
RLOS Alarm	RDA	ENA	Enables a remote DS1 LOS condition at the input to the HRU to generate an LOS alarm. AIS or LOS (depending on ALMP) is sent towards the network.
		DIS	Prevents a remote DS1 LOS condition at the input to the HRU from causing an LOS alarm. The front-panel Status LED still flashes red and the ALRM RLOS message is displayed, but the alarm relay contacts do not close and LOS is sent towards the network from the HLU instead of AIS.
Alarm Pattern	ALMP	AIS	Enables HiGain to output an AIS payload at its T1 ports for LOSW, T1 LOS, and Margin alarms.
		LOS	Enables HiGain to output an LOS condition at its T1 ports for LOSW, T1 LOS, and Margin alarms.
Bipolar Violation Transparency (See "BPVT Option" on page 25.)	BPVT	ENA	Enables BPVs and HDSL CRC errors at the T1 input to be converted into T1 BPVs at the distant end's T1 output. This makes HiGain transparent to BPVs.
		DIS	Disables BPVT.
Confirm Settings	CONF	YES	Confirms that all operating modes are to be updated to their current selections.
		NO	Prevents the most recently selected operating mode selections from being updated. They remain as they were before the system option settings mode was entered.

Equalization Option

Equalization is the configuration of system transmission characteristics within specified limits. An adaptive equalizer inserts a frequency-shaped loss that corresponds to an equivalent addition of an appropriate cable length. By simulating the additional cable loss necessary for correct operation, the equalizer compensates for a range of variation in transmission path characteristics.

BPVT Option

The HLU-388 List 5 improves HiGain's compatibility with Digital Loop Carrier (DLC) feeder applications because of its ability to transmit T1 BPV occurrences between its T1 interfaces. This feature is required to support protection switching in DLC applications. Each DLC terminal must be able to monitor the integrity of its Receive T1 payload and then switch to the protected line when the integrity of the path drops below specific user-selected limits. An essential requirement of this feature is the need for each DLC terminal to detect BPVs in its T1 input. Standard HDSL systems correct T1 BPVs at the input and thus prevent them from being detected by the DLC terminals to which they are connected. The HLU-388 and its associated remote units remove this limitation and become BPV transparent by detecting and counting input BPVs at each end, and then replicating them at the T1 output port of the distant end.

This BPVT option is controlled by the BPVT user option, which allows it to be Enabled (ENA) or Disabled (DIS).



When BPVT is enabled in systems with four or less doublers, the response time to an HDSL LOSW is approximately 70 ms, which gives DLC terminals time to react and avoid dropped calls.

In addition, the CRCs in each direction of every HDSL loop of each span are also counted and added in with the BPV count to produce a Total Error Count (TEC) that indicates the integrity of both the T1 and HDSL paths. A TEC in each direction is calculated each second by adding the number of BPVs to the number of HDSL CRCs in that direction. The maximum TEC count is 12000. This TEC number is converted into BPVs at the distant end during the following second at a rate of 1 BPV every 128 T1 bits up to a maximum of 12000 ($BER=7.7 \times 10^{-3}$). This maximum rate is more than adequate since it exceeds the maximum 10^{-3} BER required by most DLC systems.

BER Option

The BER option also uses this (BPV/CRC) TEC to generate an Alarm if enabled. The HLU combines the 1-second TEC counts in both directions for the last 60 seconds. It uses this 1-minute Total System Error Count (TSEC) to generate an alarm if it exceeds the selected BER threshold of (1E-6 or 1E-7) as follows:

- BER option = 1E-6. Alarm is generated if TSEC > 92
- BER option = 1E-7. Alarm is generated if TSEC > 9

Once initiated, the alarm clears when the TSEC drops below its associated threshold count. For dribbling errors, the alarm can come and go in intervals as short as 1 second. Alarms due to bursty impulse noise transients usually require the full 60 seconds or longer to clear depending on the frequency of the transients. This BER option is always present in any line unit circuit since it is independent of other versions of HiGain modules in the circuit. When connected to an HRU, other than the HLU-402, HLU-406, or HLU-411, only the BVPs detected by the HLU are included in the TBC. The BPVs at the HRU are not counted.

DS0 Blocking Option

To set the DS0 Blocking option from the Main screen:

- 1 Press **C** to select the Systems Settings screen (see [Figure 8 on page 22](#)).
- 2 Press **N** for the DS0 blocking selection. The DS0 channels are blocked or unblocked by entering each channel number. Multiple channels can be selected by inserting a space between each entry.
- 3 After all the new settings have been made, press **C** to Confirm and then **E** to Exit. The new choices are now installed.

If DS0 blocking is invoked in a HiGain system that does not support the blocking option (earlier versions of HRU), blocking only occurs at the DSX-1 output of the HLU-388 List 5. The HRU DS1 output is not blocked. Also, all blocked channels are temporarily unblocked for all HiGain system loopback tests for all DS1 blocking settings. This allows the standard full bandwidth T1 loopback tests to be performed for all DS0 blocking settings.

If any of the unused DS0 channels of a fractional T1 service are filled with information other than an idle code of all ones, the HiGain system blocks this information from reaching the remote end of the circuit and replaces those DS0 channels with an idle code of all ones.

Blocking the idle code results in a mismatch between the CRC checksum delivered to the remote end (when the payload is in the ESF format) and the checksum calculated by the remote T1 CSU. This implies that errors are being made on the loop when actually the blocking function created the CRC errors. Enabled DS0 channels pass error-free.

In order to avoid this condition, fractional T1 customers should fill the unused time slots with an idle code. This is a common capability on Fractional T1 CSU/DSU, D4 channel banks, and other CPE devices capable of connecting to Fractional T1 service.

DS1 Line Code Option

The DS1 line code option should always be set to conform to the type of DS1 service (AMI or B8ZS) being provided by the HiGain system. The AUTO mode, which can adapt to either AMI or B8ZS, should only be used in applications that require it (such as when HiGain acts as a standby circuit to DS1 circuits whose line codes are not known or may be both AMI and B8ZS). This is because the AUTO mode induces one BPV in the DS1 bit stream when it switches from AMI to B8ZS. The AUTO mode allows both the HLU and the HRU to set its T1 output code to that being received at the opposite end's T1 input. This forces the input and the output codes in each direction of transmission to be identical. In the AUTO mode of older HiGain units, the output code was determined by the input code being received at the local T1 input port instead of at the distant end. The HLU reverts to this older code setting technique when it is not connected to an HRU-402 or HRU-411.

Margin Alarm Threshold Option

To set the Margin Alarm Threshold:

- 1 Select from the System Settings Main Menu screen.
- 2 Enter the desired minimum acceptable alarm threshold from the 0 to 15 dB range. This causes a system alarm to occur if either the margin on HDSL Loop 1 (MAL1) or Loop 2 (MAL2) drops below the selected threshold value.



Since the margin can never drop below zero, choosing (zero) for the margin threshold turns the margin alarm off.

H AIS Option

The H AIS option provides two selections for the T1 transmit outputs at both the HLU-388 and HRU for HDSL loss of sync conditions.

- **1LP** causes the AIS (LOS if ALMP is set to LOS) pattern to be transmitted at both T1 outputs when either of the two HDSL loops experience an out-of-sync (LOSW) condition or when a margin alarm occurs. 1LP causes the 12 channels on the surviving loop to be lost as they are replaced by the AIS/LOS pattern. However, it does not notify downstream and upstream equipment of the loss of one HDSL loop or a loop with low margin. This is the preferred setting for initiating an AIS/LOS state with just one conductor open in either of the HDSL pairs. Short loops, below approximately 16 dB of loss at 200 kHz, can remain in sync with one conductor open. Since the loop is still in sync, no LOSW condition occurs. However, the margin on a one-conductor loop drops from 5 to 10 dB. Thus, if the Margin alarm is set to 5 dB below the normal margin at turn-up, when one conductor does open, a system alarm occurs and causes the AIS/LOS condition. This alerts the maintenance personnel of the problem.
- **2LP** requires both HDSL loops to be out of sync (LOSW) before the H AIS signal is transmitted. 2LP preserves the integrity of the 12 surviving channels when just one loop is lost.

HDSL Line Voltage Options

The PWRF option has four settings for HDSL line power feed: DIS, LOW, AUTO, and HIGH.

- **DIS** disables any voltage from being applied to the HDSL cable pairs. It is useful to prevent craft personnel from being exposed to the HDSL line voltage when they are working on the cable pairs.
- **LOW** limits the HDSL simplex voltage to -140 Vdc maximum. This is the standard voltage used in all non-doubler applications and has no effects in these applications. It can be chosen to limit line-powered, single-doubler circuits or locally-powered, two-doubler circuits up to -140 Vdc, if the appropriate HiGain products (HDU-409, HDU-404 or HDU-407, and HRU-402 or HRU-411) are used along with the HLU-388 List 5. These HiGain units are the only ones that have sufficiently low power consumption to allow their doubler circuits to be line-powered from -140 Vdc. The HRU-411 must have the CPE power option disabled if it is used in a -140 Vdc doubler circuit.
- **AUTO** is the conventional mode in which the HLU automatically maintains the HDSL line voltage at -140 Vdc maximum for non-doubler applications and ± 112 Vdc for doubler applications.
- **HIGH** forces the HDSL line voltage to its high ± 112 Vdc level for applications. It is needed to allow the HLU to power circuits that are providing power to remote Personal Communication Systems (PCS) sites.



If the HLU-388 is used with the HRU-411 to power PCS sites, the PWRF option should be set to AUTO. This causes the HLU to automatically detect the need to switch to the HIGH power feed mode when it receives a request from the HRU to do so.

Loopback Mode Screen

The Loopback Menu permits you to issue loopbacks to the HiGain system. Depending upon the number of doublers, there can be up to five loopback screens.

Press **D** from the Maintenance Terminal Main Menu to display the Loopback Menu. [Figure 9](#) shows an example of a Loopback Menu when no doublers are present; [Figure 10](#) shows an example when four doublers are present.

The following options are available:

- Type **A** to select the Disable Loopbacks option.
- Type **B** to select HLU Network Loop.
- Type **C** to select HRU Network Loop.
- Type **G** to select HLU Customer Loop.
- Type **H** to select HRU Customer Loop.
- For doubler applications, additional loopback selections appear on the screen.
- Type **E** to exit and return to the previous menu.

[Table 10](#) lists the HLU-388 Loopback field messages and descriptions.

Table 10. Loopback Field Messages and Descriptions

Messages	Full Name	Description
NREM	Network Remote Loopback	Loopback at HRU (remote) towards network.
NLOC	Network Local Loopback	Loopback at HLU (local) towards network.
CLOC	Customer Local Loopback	Loopback at HRU (local) towards CI.
CREM	Customer Remote Loopback	Loopback at HLU (remote) towards CI.
NDU n	Network Doubler n Loopback	Loopback at n^{th} doubler towards network.
CDU n	Customer Doubler n Loopback	Loopback at n^{th} doubler towards CI.

Loopback Menu without Doubler

```

                                LOOPBACK MENU

TIME: 00:15:34
DATE: 02/18/00
CIRCUIT ID#:

      A. DISABLE LOOPBACKS
      B. NETWORK LOOP HLU      (NLOC)
      C. NETWORK LOOP HRU      (NREM)
      G. CUSTOMER LOOP HLU      (CREM)
      H. CUSTOMER LOOP HRU      (CLOC)

      (E)xit

```

Figure 9. Loopback Menu: No Doubler

Loopback Menu for Doubler Applications

```

                                LOOPBACK MENU

TIME: 00:03:33
DATE: 02/18/00
CIRCUIT ID#:

      A. DISABLE LOOPBACKS
      B. NETWORK LOOP HLU      (NLOC)      M. NETWORK LOOP DOUBLER 4  (NDU4)
      C. NETWORK LOOP HRU      (NREM)      N. CUSTOMER LOOP DOUBLER 4  (CDU4)
      D. NETWORK LOOP DOUBLER 1  (NDU1)
      F. NETWORK LOOP DOUBLER 2  (NDU2)
      G. CUSTOMER LOOP HLU      (CREM)
      H. CUSTOMER LOOP HRU      (CLOC)
      I. CUSTOMER LOOP DOUBLER 1  (CDU1)
      J. CUSTOMER LOOP DOUBLER 2  (CDU2)
      K. NETWORK LOOP DOUBLER 3  (NDU3)
      L. CUSTOMER LOOP DOUBLER 3  (CDU3)

      (E)xit

```

Figure 10. Loopback Menu: Four Doublers

Initiating a Loopback

To send one of the available loopbacks, press the appropriate letter in the Loopback Menu. The following prompt appears:

PLEASE WAIT.....

A series of dots moves from left to right indicating that the command has been issued. When this process completes, the system returns to the Maintenance Terminal Main Menu. The selected loopback four-letter designation now appears in the Loopback Mode field in the Maintenance Terminal Main Menu (see Figure 11 in which an NLOC loopback is in progress). The loopback continues to cycle in the system depending upon your Loopback Timeout setting.



The Loopback Menu screen is also available at the HRU when connected to the HLU-388 List 5, thus allowing all HiGain System loopbacks to be initiated from either end of the circuit.

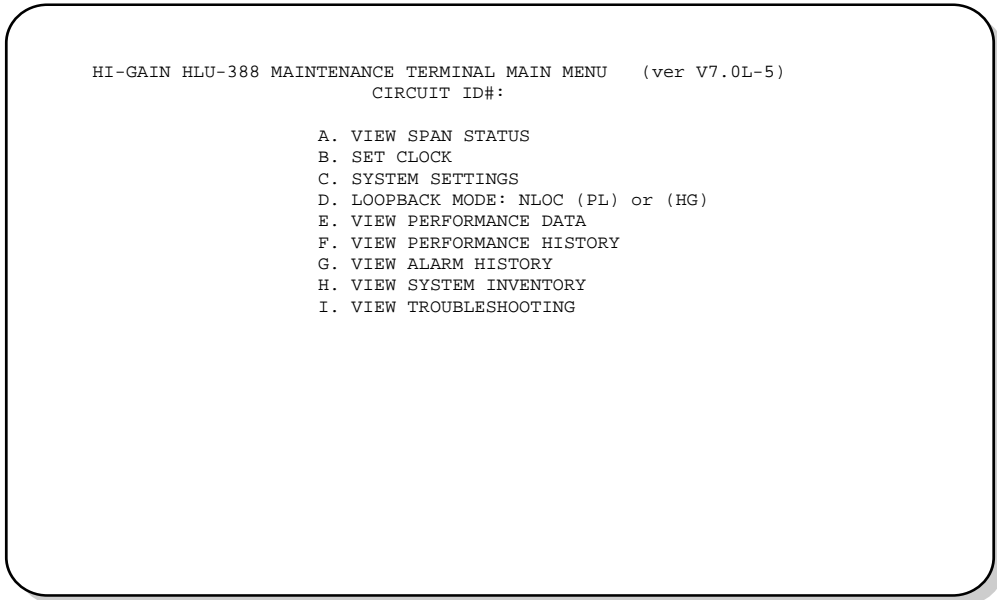


Figure 11. NLOC Loopback Mode Reported in the Maintenance Terminal Main Menu

Disabling a Loopback

The Disable Loopbacks option (Figure 9 on page 29) allows you to disable (cancel) any of the loopbacks listed in the screen. To disable loopbacks, press **A** in the Loopback Menu. The following prompt appears:

PLEASE WAIT.....

A series of dots moves from left to right indicating that the command has been issued. When this process completes, the system returns to the Maintenance Terminal Main Menu where the Loopback Mode is identified as None.

View Performance Data Screen

The Performance Data screen shows the Errored (ES) and Unavailable Seconds (UAS) for both HDSL loops and each T1 input at 15-minute intervals over a 4-hour time interval. (The ES and UAS data is separated by a slash mark.) Earlier and later data, in 4-hour time periods on different span screens, can be accessed by pressing **P** (Previous) or **N** (Next) respectively.

Errored and Unavailable seconds are defined in [Table 11](#).

Press **E** at the Maintenance Terminal Main Menu to view the Performance Data screen. From each Performance Data screen you can do the following:

- Press **P** to view the previous 4-hour data screen.
- Press **N** to view the next 4-hour data screen.
- Press **S** to view the next available span (for doubler applications).
- Press **1**, **2**, **3**, **4**, or **5** to select a specific span (for doubler applications).
- Press **E** to exit.



All Performance Data counters can be set to zero by pressing **C** (Clear) from the HLU-388 Span Status screen shown in [Figure 5 on page 17](#). The HLU-388 is considered the master module; it clears all performance data screens at both the HLU-388 and the HRU.

Table 11. Errored and Unavailable Seconds Definitions

ES and UAS	Definition
HDSL Errored Second	A second in which at least one HDSL CRC has occurred.
HDSL Unavailable Second	A second in which an HDSL loop experiences loss of sync at least once.
DS1 Errored Second	A second in which at least one BPV, CRC, FRM error, or LOS has occurred.
DS1 Unavailable Second	A second in which at least one T1 LOS condition (175 ± 75) zeros has occurred.

Performance Data Screen without Doubler

Figure 12 shows a single non-doubler span. This screen shows the Errored and Unavailable Seconds for the HDSL span between the HLU-388 and the HRU.

```

Date: 02/18/00      PERFORMANCE DATA
CIRCUIT ID#:

      ERRORED SECONDS/UNAVAILABLE SECONDS

      DS1                HDSL-1                HDSL-2
      HLU      HRU      HLU      HRU      HLU      HRU
00:00      /      /      /      /      /      /
00:15      /      /      /      /      /      /
00:30      /      /      /      /      /      /
00:45      /      /      /      /      /      /
01:00      /      /      /      /      /      /
01:15      /      /      /      /      /      /
01:30      /      /      /      /      /      /
01:45      /      /      /      /      /      /
02:00      /      /      /      /      /      /
02:15      /      /      /      /      /      /
02:30      /      /      /      /      /      /
02:45      /      /      /      /      /      /
03:00      /      /      /      /      /      /
03:15      /      /      /      /      /      /
03:30      /      /      /      /      /      /
03:45      001/      002/002      004/014      006/      003/013      007/001

      (E)xit (P)revious (N)ext
    
```

Figure 12. Performance Data Screen: No Doubler

Performance Data Screen for Doubler Applications

Figure 13 is an example of a Performance Data screen that lists performance data for the fifth span (HDU4 to the HRU).

```

Date: 02/18/00      SPAN 5 PERFORMANCE DATA
CIRCUIT ID#:

      ERRORED SECONDS/UNAVAILABLE SECONDS

      DS1                HDSL-1                HDSL-2
      HLU      HRU      HDU4      HRU      HDU4      HRU
00:00      /      /      /      /      /      /
00:15      /      /      /      /      /      /
00:30      /      /      /      /      /      /
00:45      /      /      /      /      /      /
01:00      /      /      /      /      /      /
01:15      /      /      /      /      /      /
01:30      /      /      /      /      /      /
01:45      /      /      /      /      /      /
02:00      /      /      /      /      /      /
02:15      /      /      /      /      /      /
02:30      /      /      /      /      /      /
02:45      /      /      /      /      /      /
03:00      /      /      /      /      /      /
03:15      /      /      /      /      /      /
03:30      /      /      /      /      /      /
03:45      001/      /      005/415      /      035/492      /

      (E)xit (P)revious (N)ext (S)pan(1)(2)(3)(4)(5)
    
```

Figure 13. Performance Data Screen: Four Doublers (Span 5)

View Performance History Screen

The Performance History screen shows the daily occurrences of ES and UAS over a 31-day period in 24-hour increments. Errored Seconds and Unavailable Seconds for both HDSL loops and each of the two DS1 inputs are listed for the current and previous period.

Press **F** at the Maintenance Terminal Main Menu to open the Performance History screen. This screen shows the ES and UAS for the HDSL loop between the HLU-388 and the HRU.

The following options are available:

- Press **S** from the Performance History screen to advance through the history screens for the various spans (for doubler applications).
- From the 31-day Performance History screen press **N** (Next) for a continued history.
- From the 31-day Performance History screen press **P** (Previous) for the previous screen.
- Press **E** to exit from the Performance History screen.



All Performance History counters can be set to zero by pressing **C (Clear) from the HLU-388 Span Status screen shown in Figure 5 on page 17. The HLU-388 is considered the master module; it clears all performance data screens at both the HLU-388 and the HRU.**

Performance History Screen without Doubler

Figure 14 shows a non-doubler application.

```

Time: 00:27:46                PERFORMANCE HISTORY - 31 DAY
CIRCUIT ID#:
                                ERRORED SECONDS/UNAVAILABLE SECONDS

                                DS1                                HDSL-1                                HDSL-2
                                HLU      HRU      HLU      HRU      HLU      HRU
01/17      /              /              /              /              /              /
01/18      /              /              /              /              /              /
01/19      /              /              /              /              /              /
01/20      /              /              /              /              /              /
01/21      /              /              /              /              /              /
01/22      /              /              /              /              /              /
01/23      /              /              /              /              /              /
01/24      /              /              /              /              /              /
01/25      /              /              /              /              /              /
01/26      /              /              /              /              /              /
01/27      /              /              /              /              /              /
01/28      00001/        00002/00002  00004/00014  00006/        00003/00013  00007/00001
01/29      /              /              /              /              /              /
01/30      00001/        00002/00002  00004/00014  00006/        00003/00013  00007/00001
01/31      00001/        00002/00002  00004/00014  00006/        00003/00013  00007/00001
current    00001/        00002/00002  00004/00014  00006/        00003/00013  00007/00001

                                (E)xit (P)revious
  
```

Figure 14. 31-Day Performance History Screen: No Doubler

Performance History Screen for Doubler Applications

The Performance History screen displays information by span when doublers are present. With multiple doublers (up to four), there can be as many as five span screens.

```

Time: 00:26:29          SPAN 5 PERFORMANCE HISTORY - 31 DAY
CIRCUIT ID#:
                                ERRORED SECONDS/UNAVAILABLE SECONDS

                                DS1
                                HDSL-1
                                HDSL-2
                                HLU   HRU   HDU4   HDRU   HDU4   HRU
01/17   /       /       /       /       /       /
01/18   /       /       /       /       /       /
01/19   /       /       /       /       /       /
01/20   /       /       /       /       /       /
01/21   /       /       /       /       /       /
01/22   /       /       /       /       /       /
01/23   /       /       /       /       /       /
01/24   /       /       /       /       /       /
01/25   /       /       /       /       /       /
01/26   /       /       /       /       /       /
01/27   /       /       /       /       /       /
01/28   /       /       /       /       /       /
01/29   00001/   /       00005/00415   /       00035/00492   /
01/30   /       /       /       /       /       /
01/31   00001/   00002/00002 00004/00014 00006/   00003/00013 00007/00001
current 00001/   /       00005/00415   /       00035/00492   /

                                (E)xit (P)revious (S)pan(1)(2)(3)(4)(5)
    
```

Figure 15. 31-Day Performance History Screen: Four Doublers (Span 5)

View Alarm History Screen

Press **G** at the Maintenance Terminal Main Menu to open the Alarm History screen. This screen allows you to view alarms that are currently active. In the Alarm History screen (Figure 16 and Figure 17 on page 36):

- First and Last columns contain the time and date stamp of the first and last occurrence of each alarm.
- Current column shows the status of each alarm.
- Count column lists the number of times each alarm occurred. (The maximum non-overflowing count is 999.)

From each Alarm History screen you can do the following:

- Press **U** to update the screen.
- Press **S** to view another span (for doubler applications).
- Press **C** to clear all data from the screen.
- Press **1**, **2**, **3**, **4**, or **5** to select a specific span (for doubler applications).
- Press **E** to exit from the Alarm History screen.

Table 12 lists the Alarm History fields and descriptions. These descriptions apply to the Alarm History for doubler applications as well.

Table 12. Alarm History Fields and Descriptions

Field	Description
Type	Identifies the type of alarm
LOS, DS1-HLU	First and last instance of LOS at the HLU; Current condition, number of alarms
LOS, DS1-HRU	First and last instance of LOS at the HRU; Current condition, number of alarms
BER	First and last instance of a BER at the HRU; Current condition, number of alarms
Span <i>n</i> LOSW, HDL1	First and last instance of LOSW on HDL1; Current condition, number of alarms
Span <i>n</i> LOSW, HDL2	First and last instance of LOSW on HDL2; Current condition, number of alarms
Span <i>n</i> Margin L1	First and last instance when margin dropped below the established threshold on Loop 1; Current condition, number of alarms
Span <i>n</i> Margin L2	First and last instance when margin dropped below the established threshold on Loop 2; Current condition, number of alarms
PWR-SHRT	Power short condition, current condition, number of alarms
PWR-GND	Power ground condition, current condition, number of alarms
Last Cleared:	Last time Alarm History cleared

Alarm History Screen without Doubler

```

ALARM HISTORY

TIME: 00:27:54
DATE: 02/18/00
CIRCUIT ID#:

Type           First           Last           Current       Count
LOS, DS1-HLU           OK             000
LOS, DS1-HRU           OK             000
BER                    OK             000
SPAN1 LOSW, HDSL1 02/01/99-00:00    02/01/99-00:00    OK             001
SPAN1 LOSW, HDSL2 02/01/99-00:00    02/01/99-00:00    OK             001
SPAN1 MARGIN L1        OK             000
SPAN1 MARGIN L2        OK             000
PWR-SHRT              OK             000
PWR-GND                OK             000

LAST CLEARED: NONE

                (E)xit (C)lear (U)pdate

```

Figure 16. Alarm History Screen: No Doubler

Alarm History Screen for Doubler Applications

The Alarm History screen displays information by span. With no doubler, there is only one span (Figure 16). With multiple doublers (up to four), there can be as many as five span screens. Figure 17 is an example of an Alarm History screen that lists history for the fifth span (Doubler #4 to the HRU).

```

                                ALARM HISTORY

TIME: 13:59:20
DATE: 02/18/00
CIRCUIT ID#:

Type           First           Last           Current       Count
LOS, DS1-HLU           OK             000
LOS, DS1-HRU           OK             000
BER                    OK             000
SPAN5 LOSW, HDSL1 02/18/00-00:00    02/18/00-00:00    OK             001
SPAN5 LOSW, HDSL2 02/18/00-00:00    02/18/00-00:00    OK             001
SPAN5 MARGIN L1        02/18/00-00:00    02/18/00-00:00    OK             001
SPAN5 MARGIN L2        02/18/00-00:00    02/18/00-00:00    OK             001
PWR-SHRT              OK             000
PWR-GND                OK             000

LAST CLEARED: 02/18/00-13:49

                (E)xit (C)lear (U)pdate (S)pan(1)(2)(3)(4)(5)

```

Figure 17. Alarm History Screen: Four Doublers (Span 5)

System Inventory Screen

The System Inventory screen (Figure 18 on page 38) lists the six possible units that can comprise one HiGain circuit: one HLU, one HRU and up to four doublers. The information in the System Inventory Screen is presented as follows:

- All six possible unit modules are always listed. The doublers are shown as: DB1, DB2, DB3, and DB4.
- The model number, list number and software revision number of every unit that is present in the circuit is listed in the Product column. Units that are not detected are not considered to be present in the circuit and are labeled N/A.
- Each of the unit IDs is limited to 24-character alphanumeric characters. To change an ID, select its line identifying letter. The IDs, like the system settings, are stored in NVRAM and remain so when power is lost.
- The HLU has no unit ID number since it is usually identified by the Circuit ID number, which appears in every screen.
- All detected modules have the product number listed. When the HLU-388 loses sync with Span 1, the product types are replaced by the N/A label until sync is reestablished and each module can in turn be reidentified. Only the Circuit ID appears in the other HLU-388 List 5 Terminal Maintenance screens.

Press **H** at the Maintenance Terminal Main Menu to display the System Inventory screen (Figure 18 and Figure 19 on page 38).

From each System Inventory screen (depending on the number of doublers), you can do the following:

- 1 Select the unit for which you want to set the circuit ID by pressing the letter that precedes the unit name.
- 2 Type the circuit ID, then press **ENTER**.

You can use up to 24 alphanumeric characters for the circuit ID. If more than 24 characters are entered, a warning beep is emitted and only the first 24 characters are accepted.

- 3 To set the circuit ID for another unit, repeat [Step 1](#) and [Step 2](#).
- 4 Press **E** to exit the System Inventory screen.
The system prompts you to confirm the circuit ID.
- 5 Press **C** to confirm the circuit ID and exit the System Inventory screen.



Executing the default option from either the front panel or System Settings screen has no effect on the ID values.

System Inventory Screen without Doubler

```
                                SYSTEM INVENTORY
TIME: 00:27:59
DATE: 02/18/00
                                A. CIRCUIT ID:

UNIT      PRODUCT      UNIT ID
HLU       HLU-388  L5 V7.0   NOT REQUIRED
B. HRU    HRU-402  L1A V1.3   Remote Unit
C. DB1    N/A
D. DB2    N/A
F. DB3    N/A
G. DB4    N/A

                                (E)xit
Enter the item letter to change any ID
```

Figure 18. System Inventory Screen: No Doubler

System Inventory Screen for Doubler Applications

```
                                SYSTEM INVENTORY
TIME: 18:16:37
DATE: 02/18/00
                                A. CIRCUIT ID#:

UNIT      PRODUCT      UNIT ID
HLU       HLU-388  L5 V7.0   NOT REQUIRED
B. HRU    HRU-402  L1A V1.3   Remote Unit
C. DB1    HDU-404  L2  V1.2
D. DB2    HDU-404  L2  V1.2
F. DB3    HDU-404  L2  V1.2
G. DB4    HDU-404  L2  V1.2

                                (E)xit
Enter the item letter to change the ID
```

Figure 19. System Inventory Screen: Four Doublers

Press **H** to display the circuit Help diagram (Figure 22). The symbol legend used to describe all circuit events and the corresponding troubleshooting tips are located beneath the Help diagram. A troubleshooting symbol on the diagram identifies the location of a problem.

Legend symbols that appear in parentheses are also keyboard commands for obtaining additional information.

- Press **M** to display margin values for the circuit (Figure 23 on page 41).
- Press **I** to display the insertion loss values for the circuit (Figure 24 on page 41).

The Troubleshooting screens use the following navigational keyboard commands:

- Press the **H** (Help), **M** (Margin Values), or **I** (Insertion Loss) toggle keys to enter or exit the respective troubleshooting screen.
- Press **E** to return back to the Maintenance Terminal Main Menu.
- Press **B** to return back to the main Troubleshooting screen from the Help, Margin Values, or Insertion Loss screens.
- Press **U** to update a screen.
- Press **A** to automatically update the screen. (Press **A** again to deactivate auto update.) The Troubleshooting screen indicates whether AutoUpdate is on or off.
- Press **L** to directly access the Loopback menu (see “Loopback Mode Screen” on page 28).

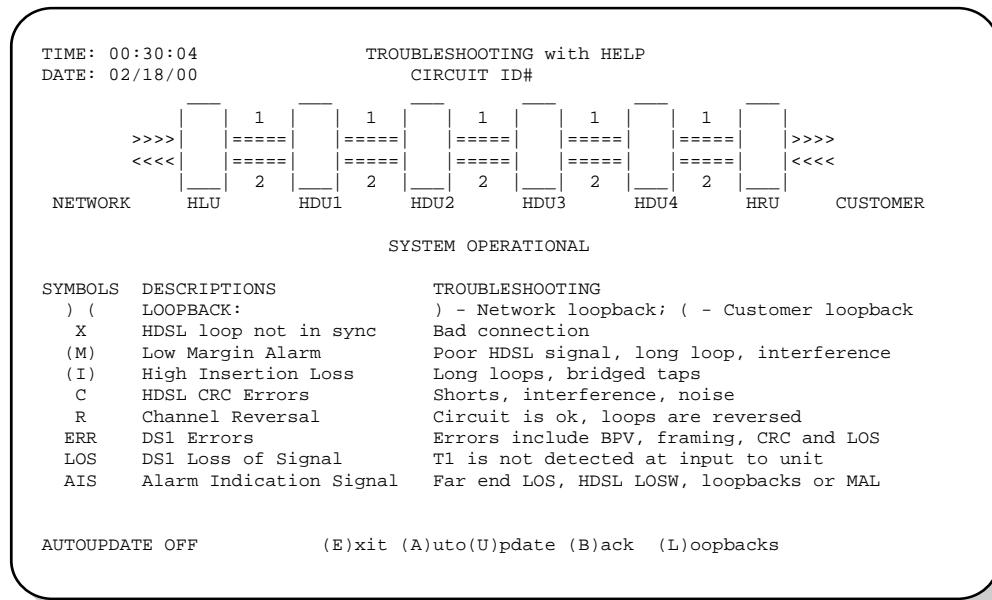


Figure 22. Troubleshooting with Help

Press **M** to display margin values for the circuit (Figure 23).

```

TIME: 00:30:21          TROUBLESHOOTING with MARGIN VALUES
DATE: 02/18/00          CIRCUIT ID#:

  >>>> [ ] 17 15 | [ ] 15 16 | [ ] 16 16 | [ ] 16 16 | [ ] 16 19 | [ ] >>>>
  <<<< [ ] ===== | [ ] ===== | [ ] ===== | [ ] ===== | [ ] ===== | [ ] <<<<
        [ ] 17 17 | [ ] 16 17 | [ ] 17 16 | [ ] 17 17 | [ ] 17 19 | [ ]
NETWORK  HLU      HDU1    HDU2    HDU3    HDU4    HRU      CUSTOMER

                MARGIN

Margin is the signal-to-noise ratio at the HDSL transceiver.

An M symbol on the graph indicates a margin lower than 4 dB.

Low margin is a result of high noise level and/or low HDSL signal level.

Some causes of low margin:

- Long loop
- External interference
- Excessive cross-talk

AUTOUPDATE OFF          (E)xit (A)uto(U)pdate (B)ack (L)oopbacks

```

Figure 23. Troubleshooting with Margin Values

Press **I** to display the insertion loss values for the circuit (Figure 24).

```

TIME: 00:30:11          TROUBLESHOOTING with INSERTION LOSS VALUES
DATE: 02/18/00          CIRCUIT ID#:

  >>>> [ ] 35 36 | [ ] 36 36 | [ ] 36 36 | [ ] 36 36 | [ ] 36 35 | [ ] >>>>
  <<<< [ ] ===== | [ ] ===== | [ ] ===== | [ ] ===== | [ ] ===== | [ ] <<<<
        [ ] 36 36 | [ ] 36 36 | [ ] 36 36 | [ ] 36 36 | [ ] 36 35 | [ ]
NETWORK  HLU      HDU1    HDU2    HDU3    HDU4    HRU      CUSTOMER

                INSERTION LOSS

Insertion loss is the attenuation of the HDSL signal at 196 kHz.
Pulse attenuation is directly related to insertion loss.

An I symbol on the graph indicates an insertion loss of 38 dB or higher.

High insertion loss is the result of a low received HDSL signal.

Some causes of high insertion loss:

- Long loop
- Bridged taps

AUTOUPDATE OFF          (E)xit (A)uto(U)pdate (B)ack (L)oopbacks

```

Figure 24. Troubleshooting with Insertion Loss Values

TROUBLESHOOTING

This section provides information about system alarms and loopback testing. In addition to these troubleshooting aids, the Maintenance Terminal provisioning interface includes troubleshooting screens that provide a basic graphical analysis of system problems. (See “View Troubleshooting Screen” on page 39.)

SYSTEM ALARMS

Table 13 lists possible HLU-388 List 5 alarm states and the corresponding front-panel messages. More than one alarm condition can exist at any given time, but only one message can be displayed. For multiple alarms, only the highest priority alarm displays.

Table 13. HDSL System Alarms

Front Panel Message	Alarm State	Description	To Inhibit:
ALRM LOSW	Loss of Sync Word ^(a)	One of the HDSL loops has lost synchronization.	Cannot be inhibited.
ALRM LLOS	Local Loss of Signal	Loss of the DSX-1 input signal.	Cannot be inhibited.
ALRM RLOS	Remote Loss of Signal	Loss of the HRU DS1 input signal.	Disable the RDA (Remote DS1 Alarm) option. This prevents an LOS condition at the DS1 input to a HRU from closing the alarm contacts (pins 20 and 21 on the card-edge connector). The front-panel Status LED still flashes red and the ALRM RLOS message displays to alert you of the LOS state. LOS is sent towards the network from the HLU. This option prevents the common occurrences of a CPE LOS condition from generating recurring alarms and AIS payloads.
ALRM MAL1 or ALRM MAL2	Margin Alarm Loop1 or Margin Alarm Loop2	The margin on HDSL Loop 1 or Loop 2 has dropped below the minimum threshold value set by the terminal MARGIN ALARM THRES.	Set the Margin Alarm Threshold option to 0 (zero).
ALRM BER	Bit Error Rate exceeded	The combined T1 and HDSL BER has exceeded you set threshold limits of 10 ⁻⁶ or 10 ⁻⁷ .	Select NONE for the BER system option.
NONE	No alarm	No current alarm condition.	Cannot be inhibited.

(a) When both HDSL loops lose sync word (LOSW), a system alarm condition exists. However, since the HLU-388 enters a self test cycling mode, the front panel LED lights yellow instead of red, and the SELF TEST message appears instead of the ALRM message.

Alarm Option for DLC Feed

To improve HiGain compatibility with the switch-to-protect features used in DLC feeder applications, the HLU-388 has an Alarm Pattern Option (ALMP) that allows you to select either an AIS or LOS T1 output payload for the following alarms:

- LOSW on any loop
- T1 LOS
- Margin alarm if HAIS = IL

Retiring System Alarms

To retire a system alarm, press the SEL button and execute an Alarm Cutoff (ACO). An ACO turns the alarm off and replaces the ALRM message with an ACO message. The second part of the ALRM message, which defines the cause of the alarm, remains. Both parts of the message remain until the alarm condition clears or another higher priority alarm occurs.

Self Test

The Self Test mode that occurs when both HDSL loops are not in sync has been enhanced to include the input DS1 transceiver chip. The Self Test procedure can cause the all ones pattern, that is normally transmitted from the HLU-388 during these out of sync intervals, to exhibit occasional BPVs.

LOOPBACK OPERATION

HiGain has a family of loopback options for analyzing circuit functionality. The loopback signal is transmitted and returned to the sending device for comparison. This verifies the integrity of the HDSL channels to the HLU, of the HLU DSX-1 interface, and of the DS1 channels to the customer.

Loopback options include:

- Generic Loopback (GNLB) options, including the SmartJack (SMJK) option (Table 14 on page 45)
- Special Loopback (SPLB) options, including “Special Loopback Commands” on page 46 and the following tables:
 - Addressable Repeater Loopback commands: A1LB, A2LB, A5LB (Table 15 on page 50)
 - Addressable Repeater Loopback commands: A3LB, A4LB (Table 16 on page 53)

Loopback commands can be initiated by:

- selecting the loopback type using the MODE and SEL buttons on the HLU (or the Manual Loopback button on the HRU)
- selecting the loopback type from the Maintenance Terminal Main Menu when connected to the craft port of the HLU or HRU
- entering the loopback code into the test equipment connected to the HLU or HRU

Generic Loopback Commands

The HiGain Generic Loopback (GNLB) commands allow you to use inband codes to loop up either NLOC (4-in-7) or NREM (3-in-7) towards the network. In addition, these inband codes loop up CREM (6-in-7) or CLOC (5-in-7) towards the customer. Either loop-up condition can be terminated (looped down) with the 3-in-5 SMJK loop-down code. All inband codes must be present for 5 seconds before the HiGain system responds. HiGain also supports NDUx doubler loopbacks toward the network and CDUx doubler loopbacks toward the customer.

Figure 25 summarizes the available loopbacks in the system, and Table 14 on page 45 summarizes the HiGain generic loopback commands. See “GNLB Test Procedures” on page 48 for the test procedures that apply when using the GNLB mode.

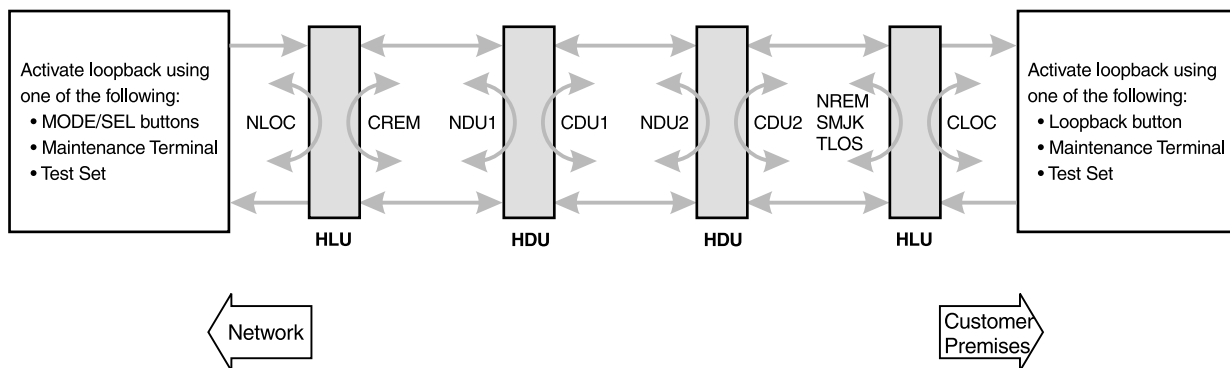


Figure 25. Loopback Summary

Table 14. Summary of HiGain Loopback Codes

Loopback	Code	Description	Method of Transmission		
			Test Set	Craft Port	MODE/SEL
NLOC	1111000 4-in-7	Network Local. Invokes HLU loopback toward the network.	X	X	X
NDU1	110000 2-in-6	Network Doubler #1. Invokes HDU1 loopback toward the network.	X	X	X
NDU2	111000 3-in-6	Network Doubler #2. Invokes HDU2 loopback toward the network.	X	X	X
NDU3	1010001	Network Doubler #3. Invokes HDU3 loopback toward the network.	X	X	X
NDU4	1010010	Network Doubler #4. Invokes HDU4 loopback toward the network.	X	X	X
NREM	1110000 3-in-7	Network Remote. Invokes HRU loopback toward the network.	X	X	X
CLOC	1111100 5-in-7	Customer Local. Invokes HRU loopback toward the customer.	X	X	X
CDU1	111100 4-in-6	Customer Doubler #1. Invokes HDU1 loopback toward the customer.	X	X	X
CDU2	111110 5-in-6	Customer Doubler #2. Invokes HDU2 loopback toward the customer.	X	X	X
CDU3	1011001	Customer Doubler #3. Invokes HDU3 loopback toward the customer.	X	X	X
CDU4	1011010	Customer Doubler #4. Invokes HDU4 loopback toward the customer.	X	X	X
CREM	1111110 6-in-7	Customer Remote. Invokes HLU loopback toward the customer.	X	X	X
SMJK LpUp (PL)	11000 2-in-5	SmartJack Loopup or NID payload (PL) code. Invokes HRU loopback toward network.	X		
SMJK LpUp (ESF-DL)	1111-1111- 0100-1000	SmartJack Loopup or NID (ESF-DL) code. Invokes HRU loopback toward network.	X		
SMJK LpDn (PL)	11100 3-in-5	SmartJack Loopedown or NID payload (PL) code. Removes SMJK, NLOC, NREM, CREM, CLOC, CDUx, and NDUx.	X		
SMJK LpDn (ESF-DL)	1111-1111- 0010-0100	SmartJack Loopedown or NID (ESF-DL) code. Removes SMJK, NLOC, NREM, CREM, CLOC, CDUx, and NDUx.	X		



HiGain systems feature the SmartJack option, which can emulate a Network Interface Device (NID) for the purpose of loopback testing of the HiGain circuit. SMJK and NREM loopbacks perform the same functions but their initiation differs. SMJK indicates that the loopback was initiated by the 2-in-5 inband command. NREM is initiated by the 3-in-7 inband command or by a command issued from the maintenance terminal or the MODE and SEL buttons.

Use the inband commands to enable or disable the SMJK loopback options. The HLU-388 system setting is normally enabled to recognize all inband SmartJack loopback commands.

Special Loopback Commands

In addition to the GNLB loopback command mode, a HiGain system can be configured for one of five special loopback command modes. These are selected from the maintenance terminal System Settings screen (see [Table 9 on page 23](#)) or by using the MODE and SEL buttons (see [Figure 26 on page 49](#)). Once a loopback mode is activated, other loopback commands can be sent by a test set connected to the craft port of the HLU or HRU (see [Table 15 on page 50](#) and [Table 16 on page 53](#) for list of SPLB commands).

A1LB through A5LB are five special, addressable, repeater loopback modes which are supported by the HLU-388 List 5. These loopback modes provide the HiGain system with sophisticated maintenance and troubleshooting tools. A1LB, A2LB, and A5LB are patterned after the Teltrend addressable T1 repeater loopbacks. A3LB and A4LB are patterned after the Wescom addressable T1 repeater loopbacks. All five SPLBs have been enhanced to handle the specific requirements of the following HiGain customers:

- A1LB (Teltrend) = Southwestern Bell
- A2LB (Teltrend) = Southwestern Bell
- A3LB (Wescom) = New England Telephone
- A4LB (Wescom Mod 1) = New York Telephone
- A5LB (Teltrend Mod 1) = Southern New England Telephone (SNET), Southwestern Bell, Pacific Bell

The A1LB loopback selection complies with that proposed for HDSL systems in the T1/E1.4/92 recommendation with the following additions:

- query loopback
- IOR (Intelligent Office Repeater) power-down
- four loopback time-out choices
- initiation from either end
- repeating bit error signatures
- alternate query loopback

These additions make A1LB identical to A2LB. A1LB is given a separate identity to allow future T1/E1 enhancements to be added without affecting A2LB.

A5LB differs from A2LB in that A5LB does not block the arming code from exiting the HLU-388 into the network. A2LB can be configured to do one of the following:

- block the arming code (after 2 seconds) from exiting the HLU, and replace it with the AIS code.
- unblock the AIS code by executing the Far End Activate code. (Since A5LB never blocks the arming code from exiting the HLU, the Far End Activate code is not available in A5LB.)

A3LB differs from A4LB in that A3LB supports the additional (1-in-6) SMJK loopback command.



A HiGain system may take longer than normal to respond to inband loopback commands when its framing mode is set to UNFR and the inband commands are set in either SF or ESF mode. The frame bits override the command bits and cause errors in the command sequence. These errors cause the HiGain system to reject some sequences.

Initiating a Manual Loopback Session

A manual loopback session allows you to select any one of the HiGain GNLB loopbacks listed in [Table 14 on page 45](#) with the exception of SmartJack loopbacks, which can only be issued by inband commands.

Setting the Loopback Time-out Option

Before initiating a loopback session, verify that the Loopback Time-out parameter is set to the desired setting.

- 1 Use the MODE and SEL buttons as described in “[Setting Options through MODE and SEL](#)” on [page 11](#). (The Loopback Time-out parameter is also user-selectable from the System Settings screen when using a maintenance terminal.)
- 2 Enter the desired setting:
 - NONE (no time-out)
 - 20 minutes
 - 60 minutes (default setting)
 - 120 minutes

Initiating a Manual Loopback Session



With the exception of SmartJack, any of the HiGain loopbacks can be executed using the MODE and SEL buttons.

When executing a manual loopback session using the MODE and SEL buttons:

- **The next loopback option can be presented by pressing the MODE button; however, the previously activated loopback remains active until the SEL button is pressed, which activates the new loopback.**
- **If neither button is pressed for a period of 30 seconds and no loopback is in effect, the manual loopback session terminates and the display returns to normal mode.**
- **If any loopback is in effect, the 30-second time-out is inhibited. The active loopback and the manual loopback session continue until the loopback times out in accordance with the LBTO setting.**
- **Only the SMJK loopback can exist with other network loopbacks at any given time.**
- **If there is an active loopback, pressing the MODE and SEL buttons for 3 or more seconds terminates any active loopback, ends the manual loopback session, and returns the display to normal mode.**

To initiate a manual loopback session:

- 1 Press both the MODE and SEL buttons on the front panel for at least 3 seconds. The following message appears on the front-panel display:
MAN LPBK NLO?
- 2 Press SEL to activate NLOC. The display changes to MAN LPBK NLOC.
- 3 Press MODE to advance to the next available loopback (ND1? ND2? ND3? ND4? NRE? CRE? CD1? CD2? CD3? CD4? CLO?).
- 4 Press SEL to activate the selected loopback. The previous loopback is terminated.

Once a loopback is selected and activated, it stays active until it times out (based on the LBTO setting). When a loopback times out, the display then returns to the normal display mode.

You can terminate loopbacks manually and exit the MAN LPBK mode by simultaneously pressing the MODE and SEL buttons for 3 or more seconds. If no loopback is active, the MAN LPBK mode automatically terminates after 30 seconds.

All loopbacks can be initiated by inband commands in the T1 payload or by a command from the HiGain system (front-panel buttons or maintenance screen selections). When a loopback is active, the method by which it was activated is indicated in the Loopback and Status screens by the annotation HG (HiGain) or PL (Payload) adjacent to the identified loopback. For example, NREM (HG) indicates that the loopback was initiated by the HiGain system.



SMJK loopback commands are only activated by inband commands.

LOOPBACK TEST PROCEDURES

General Troubleshooting Tips

If trouble is encountered on the DSX-1 interface of the HLU-388, verify that the:

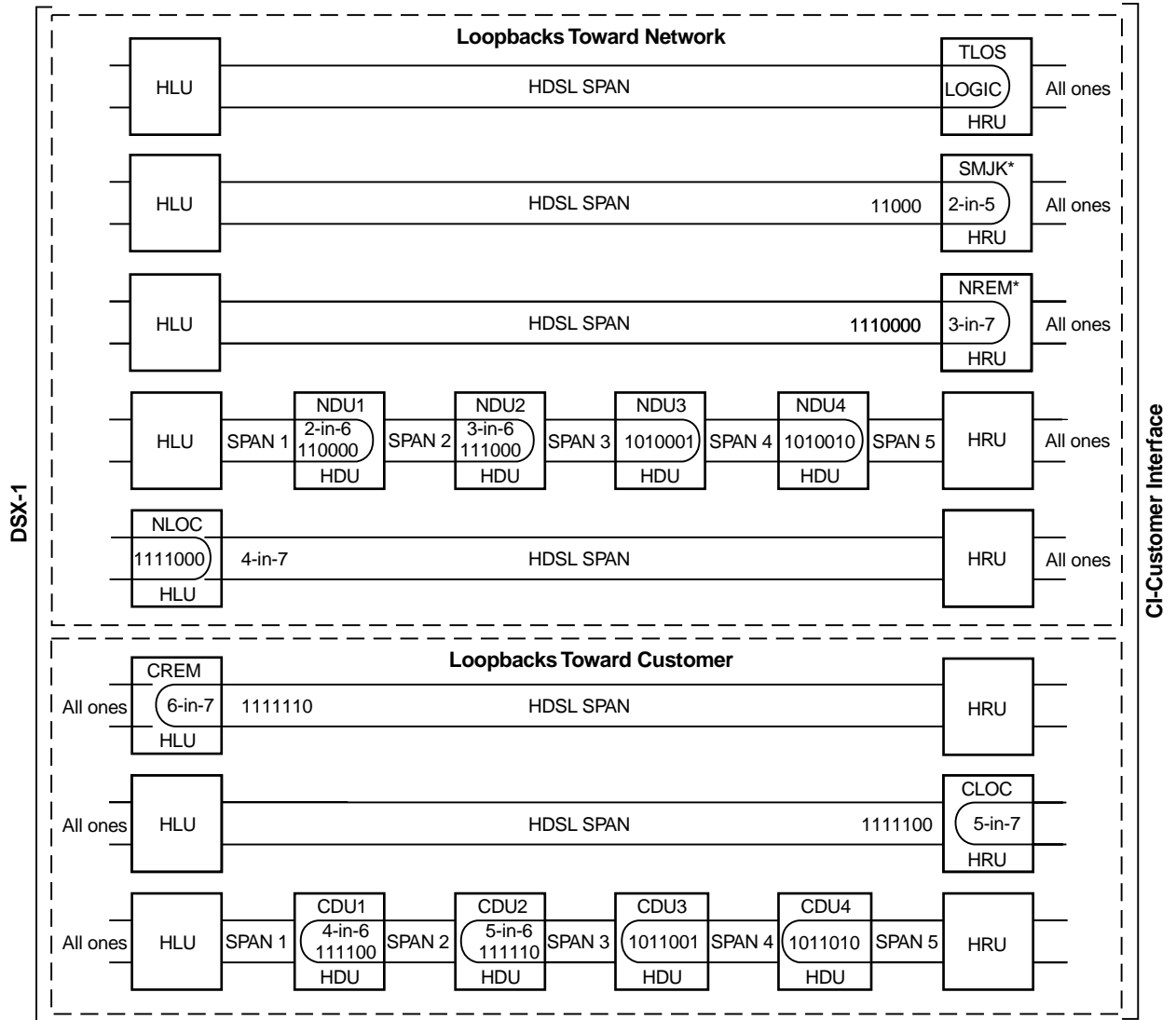
- HLU is making a positive connection with its mounting assembly (shelf) connector.
- HLU internal equalizer is set to the correct distance range (see [Table 9 on page 23](#)). All equalizers should be set to the distance from the DSX-1 to the shelf.

GNLB Test Procedures

[Figure 26 on page 49](#) is a graphical representation of the various generic loopback configurations with the associated GNLB commands. See [Table 14 on page 45](#) for a description of these commands.

To perform the GNLB loopback test procedure:

- 1 Have the CO tester send the NREM (3-in-7) inband loopup code for 5 seconds. You should be able to observe the NREM message on the front-panel display. (The Status LED on the front panel should be green, and the loopback mode should also be identified on the Span Status screen.)
- 2 Have the CO tester transmit a T1 test signal towards the HLU-388 and verify that the returned (looped) signal to the test set is error-free.
- 3 If step 2 fails, have the CO tester transmit the (3-in-5) inband loopdown code.
- 4 Have the CO tester send the NLOC (4-in-7) inband loopup for 5 seconds. You should be able to observe the NLOC message on the front-panel display. (The Status LED on the front panel should be yellow, and the loopback mode should also be identified on the Span Status screen.)
- 5 Repeat Step 2. If the test passes, the problem is in the downstream direction. If the test fails, the problem is in the upstream direction.



* Set the SAIS option to ENA to send AIS (indicated by an all ones pattern) to the CI during SmartJack loopback, NREM, and TLOS. Use the 3-in-5 code to loop down.

Figure 26. Loopback Configurations

A1LB, A2LB, and A5LB Test Procedures

Using the codes listed in [Table 15](#), a network tester can activate NLOC or NREM loopbacks (or SMJK, if enabled). A tester at the customer premises can activate CLOC or CREM loopbacks. All loopbacks shown in [Table 15](#) can also be initiated from the HLU-388 front panel MODE and SEL buttons (see “[Setting Options through MODE and SEL](#)” on page 11). Information specific to HiGain doublers is shown in bold type.

Table 15. Addressable Repeater Loopback Commands (A1LB, A2LB, A5LB)

Name	Description	Binary Code ^(a) (Hexadecimal Equivalent)
ARMING or NI LPBK (inband)	Arming code	11000-11000 ...
ARMING or NI LPBK (ESF Data Link)	Arming code	1111-1111-0100-1000 (FF48)
IR LPDN or DISARM (inband)	Disarming code	11100-11100 ...
IR LPDN or DISARM (ESF Data Link)	Disarming code	1111-1111-0010-0100 (FF24)
IOR LPBK (NLOC and CREM 230-232 bit errors and 229-231 bit errors) ^(b)	HLU loopup	1101-0011-1101-0011 (D3D3)
ILR-1 LPBK (NDU1 and CDU1 10 bit errors) ^(b)	HDU1 loopup	1100-0111-0100-0001 (C741)
ILR-20 LPBK (NDU2 and CDU2 200 bit errors)	HDU2 loopup	1100-0111-0101-0100 (C754)
ILR-3 LPBK (NDU3 and CDU3 30 bit errors)	HDU3 loopup	1100-0111-0100-0011 (C743)
ILR-4 LPBK (NDU4 and CDU4 40 bit errors)	HDU4 loopup	1100-0111-0100-0100 (C744)
ILR-2 LPBK (NREM and CLOC 20 bit errors)	HRU loopup	1100-0111-0100-0010 (C742)
IR LPDN	Loopdown (HLU, HDU, or HRU)	1001-0011-1001-0011 (9393)
IR QUERY LPBK	Query loopback	1101-0101-1101-0101 (D5D5)
IR ALTERNATE QUERY LPBK	Alternate query loopback	1101-0101-1110-1010 (D5EA)
TIME-OUT OVERRIDE	Loopback time-out override	1101-0101-1101-0110 (D5D6)
FAR END NI ACTIVATE ^(c)	Unblock AIS	1100-0101-0101-0100 (C554)
IOR POWER DOWN (HLU) ^(d)	Removes HDSL line power	0110-0111-0110-0111 (6767)

- (a) The left most bit arrives first in all sequences. The detection algorithm functions reliably with a random 10^{-3} Bit Error Ratio (BER) on the facility. The entire arming and loopback sequence can also be initiated at the remote HRU location.
- (b) The HRU identifies CREM (and the HLU identifies NLOC) with 231 bit errors, including the frame bits. When framed data is being sent in the AUTO framing mode, the number of the 231 bit errors detected by the test set varies from 229 to 231, depending on whether or not the test set counts frame errors as bit errors, and on the number of frame bits contained in the block of 231 error bits. The HRU and HLU generate this bit pattern in a series of discontinuous bursts containing 20-bit errors each, including frame bits. Those test sets that do not count frame error bits as data bit errors will indicate fewer bits than the HRU and HLU transmit for a CI and NI loopback.
- (c) Sending the Far End NI Activate code is not required in A5LB because it is always activated.
- (d) The IOR Power Down code must remain present for the duration of the power down mode. When this code is removed, the HiGain system returns to its normal unlooped and unarmed state.

To perform the A1LB, A2LB, and A5LB test procedures:

- 1 Send the inband Arming and NI LPBK code 11000 to the HLU-388 for at least 5 seconds.
- 2 Monitor the output of the HLU-388 for the return of the pattern. The return of the pattern indicates one of the following:
 - the HRU has looped up (if the SMJK Loopback option is Enabled)
 - an external NI has looped up (if the SMJK Loopback option is Disabled), and the HLU and HRU have been armed
- 3 Verify that the HRU Loopback LED is either flashing yellow at 4-second intervals (indicating that the system is armed), or is a steady green (indicating that it is both armed and in SMJK loopback). The HLU Status LED also flashes yellow when the system is armed.
- 4 Once armed, the HLU-388 can be looped back by sending Intelligent Office Repeater (IOR) LPBK activation code 1101-0011-1101-0011 (D3D3) for at least 5 seconds. You should observe the following activation response pattern in the order presented:
 - a 2 seconds of AIS (identified by an all ones pattern)
 - b 2 seconds of returning data pattern
 - c 231 logic errors (including the frame bit) occurring in the returned pattern:
 - 10 errors, if ILR-1 (Doublor 1) was sent
 - 200 errors, if ILR-20 (Doublor 2) was sent
 - 30 errors, if ILR-3 (Doublor 3) was sent
 - 40 errors, if ILR-4 (Doublor 4) was sent
 - 20 errors, if ILR-2 (HRU) was sent
 - d normal looped data

This error pattern repeats every 20 seconds as long as the IOR loopback pattern is being sent. This also applies to ILR, Time-out Override, and Query commands.



Some Intelligent Repeater (IR) test sets do not count frame errors as bit errors when the test pattern is framed and the HLU-388 is set to the Auto framing mode. To improve compatibility with those test sets, the HLU-388 generates 201 (NDU2 and CDU2) and 232 (NLOC and CREM) ID bit errors. As a result, the HLU-388 may indicate one more or one less bit error, depending on the test set type and the number of frame bits contained in the block of errored bits. To avoid this uncertainty, PairGain recommends sending unframed IR commands.

The HLU is now in logic loopback if the IOR NLOC loopback command was sent. The Time-out Override command or a Loopdown command can override the selection made for the loopback time-out (see [“Setting the Loopback Time-out Option” on page 47](#)). If the Time-out Override code 1101-0101-1101-0110 (D5D6) is received after activating a loopback, then the automatic timed expiration of the loopback is inhibited. If this Time-out Override is sent, then the only way to loop the HLU-388 down is to do one of the following:

- issue the IR (Intelligent Repeater) LPDN (loopdown) code 1001-0011-1001-0011 (9393)
- issue the NI LPDN and Disarm inband code 11100 or the ESF-DL code (FF24).



The Time-out Override function is only valid for the current active loopback. The automatic time-out timer is restored during subsequent loopback sessions.

- 5 Once the test is complete, do one of the following:
- If the system is to loopdown but remain Armed, send the IR (Intelligent Repeater) LPDN code (universal loopdown).
 - If all the equipment is to be looped down, disarmed and returned to normal operation, send the disarm inband code 11100 or the ESF-DL code (FF24).



The Armed mode has an automatic time-out of 120 minutes, but this timer is reset to 120 for any of the following events:

- **Loopback termination (manual or time-out)**
- **Query**
- **Alternate query**
- **Far end activate**
- **Another ARM command**

This timer is inhibited while any of the valid command codes are being sent. Once the codes are removed, the timer restarts at 120.

A3LB and A4LB Test Procedures

The HLU-388 can be looped back by sending the Addressable Office Repeater (AOR) LPBK activation code 1111-1111-0001-1110 (FF1E) for at least 5 seconds. This causes the HLU-388 to enter the NLOC state. The Loopback Time-out setting (see “[Setting the Loopback Time-out Option](#)” on page 47) determines the duration of this loopback unless it is overridden by the reception of a second identical 16-bit loop-up command before the timer expires. When this time-out override state exists, the only way to loopdown the HLU-388 is to issue one of the three loopdown commands listed in [Table 16](#). The automatic time-out mode is restored during subsequent loopback sessions.

[Table 16](#) summarizes the codes required to execute Addressable 3 and 4 (A3LB and A4LB) repeater loopback commands. All code sequences must be present for at least 5 seconds. Information specific to HiGain doublers is shown in bold.

Table 16. Addressable Repeater Loopback Commands (A3LB and A4LB)

Name	Description	Binary Code ^(a) (Hexadecimal Equivalent)
NLOC	HLU-388 loopup from NI	1111-1111-0001-1110 (FF1E)
CREM	HLU-388 loopup from CI	0011-1111-0001-1110 (3F1E)
NDU1	HDU doubler 1 from NI	1111-1111-0000-0100 (FF04)
CDU1	HDU doubler 1 from CI	0011-1111-0000-0100 (3F04)
NDU2	HDU doubler 2 from NI	1111-1111-0000-0110 (FF06)
CDU2	HDU doubler 2 from CI	0011-1111-0000-0110 (3F06)
NDU3	HDU doubler 3 from NI	1111-1111-0000-1000 (FF08)
CDU3	HDU doubler 3 from CI	0011-1111-0000-1000 (3F08)
NDU4	HDU doubler 4 from NI	1111-1111-0000-1010 (FF0A)
CDU4	HDU doubler 4 from CI	0011-1111-0000-1010 (3F0A)
NREM	HRU loopup from NI	1111-1111-0000-0010 (FF02)
CLOC	HRU loopup from CI	0011-1111-0000-0010 (3F02)
SMJK	HRU loopup from NI	11000-11000-11000 ...
SMJK	HRU loopup from NI ^(b)	100000 100000 100000 ...
SMJK	HRU loopup from NI (ESF-DL)	1111-1111-0100-1000 (FF48)
Loopdown	HLU and HRU loopdown from NI OR CI	11100-11100-11100 ...
Loopdown	HLU and HRU loopdown from NI OR CI	100-100-100 ...
Loopdown	HLU and HRU loopdown from NI OR CI (ESF-DL)	1111-1111-0010-0100 (FF24)

(a) The left-most bit arrives first in all sequences. The detection algorithm functions reliably with a random 10^{-3} Bit Error Ratio (BER) on the facility. The entire arming and loopback sequence can also be initiated at the remote HRU location.

(b) Not supported by A4LB.

APPENDIX A - SPECIFICATIONS

This appendix provides general specifications, pinout diagrams for the craft port and card-edge connector, HDSL insertion loss guidelines, and power consumption and dissipation tables.

HDSL Line Code	784 kbps 2B1Q
HDSL Output	+13.5 dBm \pm 0.5 dB at 135 Ω
HDSL Line Impedance	135 Ω
Maximum Provisioning Loss	35 dB at 196 kHz, 135 Ω
Line Clock rate	Internal "Stratum 1" clock
HDSL Start-up Time	30 sec. (typical), 60 sec. (maximum) per span
One-way DS1 Delay	<200 μ s per span without doublers. Doubler delay <80 μ s
DSX-1 Line Impedance	100 Ω
DSX-1 Pulse Output	6 ^{pk-pk} , pre-equalized for 0-655 feet of ABAM cable
DSX-1 Input Level	+1.5 to -7.5 dBDSX
DS1 Line Rate	1.544 Mbps \pm 200 bps
DS1 Line Format	AMI, B8ZS, or ZBTSI
DS1 Frame Format	ESF, SF, or UNFR
Maximum Heat Dissipation	See " Power Consumption " on page 55
Fusing	Internal, connected to Fuse Alarm output on pin 117
HDSL Span Voltage	0, -140 or \pm 112 Vdc
Electrical Protection	Secondary surge and power cross protection on HDSL ports. Requires external primary protection.
Operating Temperature	-40 °F to +149 °F (-40 °C to +65 °C)
Operating Humidity	5% to 95% (non-condensing)
Mounting	DDM+ high density shelf
Dimensions	
Height:	3.5 in. (8.0 cm)
Width:	0.72 in. (1.8 cm)
Depth:	10.25 in. (26.0 cm)
Weight:	1 lb. (.45 kg)
Wander (Looped)	0.3 UI maximum (1 UI = 648 ns)
WB Jitter (Looped)	0.2 UI maximum
NB Jitter (Looped)	0.1 UI maximum

HDSL INSERTION LOSS GUIDELINES

Each loop has no more than 35 dB of loss at 196 kHz, with driving and terminating impedances of 135 Ω .

[Table 17](#) provides a loss guide for the various cable gauges at 196 kHz and 135 Ω . The table applies to the HDSL cable pairs between the HLU, HRU, and HDU modules. In the absence of specific insertion loss measurement data, add 3 dB for each bridged tap and 1 dB for each cable gauge change.

Table 17. HDSL Loss Over Cables

Cable Gauge (AWG/mm)	Loop Loss ^(a) (dB/kft)	Loop Resistance (Ω /kft)
26/0.4	3.88	83
24/0.51	2.84	52
22/0.61	2.18	32
19/0.91	1.54	16

(a) At 196 kHz, 68°F (20°C)



A Windows-based program, **Cable Calculator**, may be downloaded from the Customer Site portion of PairGain's web site at www.pairgain.com. If you don't have a customer password, contact your sales representative.

POWER CONSUMPTION

Power consumption and heat dissipation depend upon the type of remote and doubler units in the system and the CPE power setting.

Power Consumption without Doublers

The three most important power parameters of an HLU are its maximum power consumption, its maximum power dissipation, and its maximum current drain.

[Table 18](#) describes line-powered circuits on 9 kft, 26 AWG loops without a doubler.

Table 18. HLU-388 Power Parameters—No Doubler

HRU Model No.	HRU CPE Power	42.5 Vdc Power Consumption (Watts)		Heat Dissipation (Watts)		42.5 Vdc Current (mA)	
		Typical	Maximum	Typical	Maximum	Typical	Maximum
HRU-412 List 1, 2, 3, 4	ON	12.0	13.2	5.1	5.6	284	312
HRU-412 List 1, 2, 3, 4	OFF	11.0	12.1	5.0	5.5	260	286
HRU-412 List 6, 7, 8	ON	12.6	13.9	5.2	5.7	297	327
HRU-412 List 6, 7, 8	OFF	9.7	10.7	4.5	4.9	228	251
HRU-402	N/A	7.7	8.5	4.5	4.9	182	200
HRU-411 ^(a)	ON	21.0	23.1	6.3	6.9	495	544
HRU-411	OFF	8.2	9.0	5.2	5.7	193	212

(a) HLU-388 PWRP option set to HIGH.

Power Consumption with Doublers

Table 19 through Table 25 list the power consumed and dissipated by the HLU-388 when it is used with any of the four basic doubler types in the HiGain family. The maximum current drawn by the CO supply is also listed.

Table 19 through Table 21 show power parameters for single doubler and line-powered circuits on 9 kft, 26 AWG loops.

Table 19. HLU-388 Power Parameters—Single Doubler (HDU-451 List 1 or 2)

HRU Model No.	HRU CPE Power	42.5 Vdc Power Consumption (Watts)		Heat Dissipation (Watts)		42.5 Vdc Current (mA)	
		Typical	Maximum	Typical	Maximum	Typical	Maximum
HRU-412 List 1, 2, 3, 4	ON	27.5	30.3	7.6	8.4	646	711
HRU-412 List 1, 2, 3, 4	OFF	25.9	28.5	7.2	7.9	610	671
HRU-412 List 6, 7, 8	ON	27.7	30.5	7.6	8.4	651	716
HRU-412 List 6, 7, 8	OFF	24.3	26.7	7.1	7.8	571	628
HRU-402	N/A (OFF)	21	23.1	6.3	6.9	494	543
HRU-411	OFF	20	22.0	6.2	6.8	471	518

Table 20. HLU-388 Power Parameters—Single Doubler (HDU-439 or HDU-437 Lists 1 and 1B)

HRU Model No.	HRU CPE Power	42.5 Vdc Power Consumption (Watts)		Heat Dissipation (Watts)		42.5 Vdc Current (mA)	
		Typical	Maximum	Typical	Maximum	Typical	Maximum
HRU-412 List 1, 2, 3, 4	ON	22.3	24.5	7.9	8.6	525	578
HRU-412 List 1, 2, 3, 4	OFF	21.4	23.5	7.8	8.5	502	552
HRU-412 List 6, 7, 8	ON	22.3	24.5	8.0	8.8	524	576
HRU-412 List 6, 7, 8	OFF	19.2	21.1	7.3	8.1	452	497
HRU-402	N/A (OFF)	16.0	17.6	6.7	7.4	376	414
HRU-411	OFF	15.6	17.2	6.7	7.4	367	404

Table 21. HLU-388 Power Parameters—Single Doubler (HDU-409 List 2)

HRU Model No.	HRU CPE Power	42.5 Vdc Power Consumption (Watts)		Heat Dissipation (Watts)		42.5 Vdc Current (mA)	
		Typical	Maximum	Typical	Maximum	Typical	Maximum
HRU-412 List 1, 2, 3, 4	ON	18.8	20.7	7.0	7.7	442	486
HRU-412 List 1, 2, 3, 4	OFF	18.0	19.8	7.1	7.8	424	466
HRU-412 List 6, 7, 8	ON	18.4	20.2	6.9	7.6	433	476
HRU-412 List 6, 7, 8	OFF	15.7	17.3	6.8	7.4	370	407
HRU-402	N/A (OFF)	12.5	13.8	5.9	6.5	294	323
HRU-411	OFF	12.0	13.2	5.8	6.4	283	311

Table 22 through Table 24 show power parameters for two doubler line-powered circuits on 9 kft, 26 AWG loops.

Table 22. HLU-388 Power Parameters—Two Doublers (HDU-451 List 3, 4, 3B, or 4B)

HRU Model No.	HRU CPE Power	42.5 Vdc Power Consumption (Watts)		Heat Dissipation (Watts)		42.5 Vdc Current (mA)	
		Typical	Maximum	Typical	Maximum	Typical	Maximum
HRU-402	N/A (OFF)	28.3	31.1	8.3	9.1	665	732
HRU-411	OFF	28.1	30.9	8.2	9.0	661	727

Table 23. HLU-388 Power Parameters—Two Doublers (HDU-439 or HDU-437 Lists 1 and 1B)

HRU Model No.	HRU CPE Power	42.5 Vdc Power Consumption (Watts)		Heat Dissipation (Watts)		42.5 Vdc Current (mA)	
		Typical	Maximum	Typical	Maximum	Typical	Maximum
HRU-412 List 1, 2, 3, 4	OFF	30.3	33.3	8.0	8.8	713	784
HRU-412 List 6, 7, 8	OFF	28.1	30.9	7.7	8.5	660	726
HRU-402	N/A (OFF)	24.8	27.3	7.2	7.9	584	642
HRU-411	OFF	27.7	30.5	7.5	8.3	652	717

Table 24. HLU-388 Power Parameters—Two Doublers (HDU-409 List 2)

HRU Model No.	HRU CPE Power	42.5 Vdc Power Consumption (Watts)		Heat Dissipation (Watts)		42.5 Vdc Current (mA)	
		Typical	Maximum	Typical	Maximum	Typical	Maximum
HRU-412 List 1, 2, 3, 4	ON	24.4	26.8	7.2	7.9	575	633
HRU-412 List 1, 2, 3, 4	OFF	22.1	24.3	6.8	7.5	520	572
HRU-412 List 6, 7, 8	ON	25.9	28.5	7.4	8.1	609	670
HRU-412 List 6, 7, 8	OFF	20.2	22.2	6.4	7.0	476	524
HRU-402	N/A (OFF)	17.4	19.1	7.1	7.8	410	451
HRU-411	OFF	16.5	18.2	6.0	6.6	389	428

Table 25 shows power parameters for three doubler line-powered circuits or four doubler locally-powered circuits on 9 kft, 26 AWG loops.

Table 25. HLU-388 Power Parameters—Three and Four Doublers (HDU-409 List 2)

HRU Model No.	HRU CPE Power	42.5 Vdc Power Consumption (Watts)		Heat Dissipation (Watts)		42.5 Vdc Current (mA)	
		Typical	Maximum	Typical	Maximum	Typical	Maximum
HRU-402, 3-doubler, line-powered	N/A (OFF)	22.9	25.2	8.1	8.9	539	593
HRU-402, 4-doubler, local power	N/A (OFF)	23.7	26.1	8.0	8.8	557	613

MAXIMUM POWER DISSIPATION

The Maximum Power Dissipation measures the power that is converted into heat that builds up within the unit. It contributes to the total heat generated in the space around the unit. It is used to determine the maximum number of fully loaded shelves per bay that do not exceed the maximum allowable power dissipation in watts per square foot to comply with GR-63.

In COs, the maximum power dissipation for open-faced, natural convection-cooled mountings is limited to 134.7 watts per square foot per GR-63-CORE. The footprint of a standard 28-slot, 23-inch HCS-417 shelf is 7.024 square feet. Thus, the maximum bay dissipation is limited to 946 watts. Use this limit and the parameters in [Table 18](#) through [Table 25](#) to determine the maximum number of HLU circuits that can occupy one CO bay.



This is a worst case situation since it assumes that the entire CO is subjected to the maximum power density. More favorable conditions would permit increasing the number of shelves per bay without jeopardizing the CO thermal integrity.

The thermal loading limitations imposed when using the HLU in a Controlled Environmental Vault (CEV) or other enclosures are determined by applying its power parameters to the manufacturer's requirements for each specific housing.

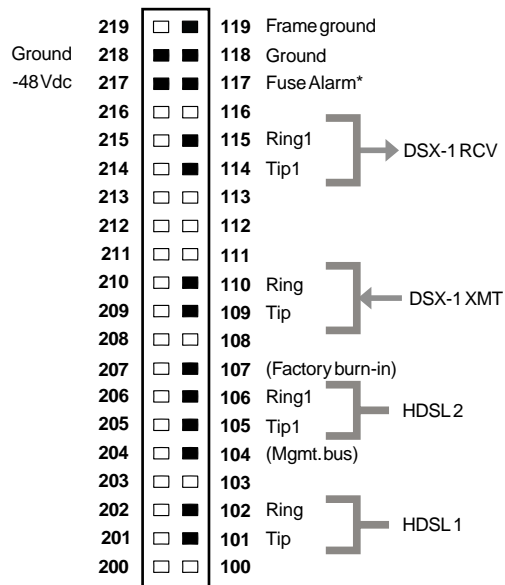
The 42.5 Vdc Power Consumption is the maximum total power that the HLU-388 consumes or draws from the shelf power source. This parameter is needed when the HLU-388 is in a location remote to the CO it is serving. It determines the battery capacity required to maintain an 8-hour, standby battery reserve for emergency situations. Battery capacity, therefore, limits the maximum number of line units which can be installed in a remote enclosure. Use the data in [Table 18](#) through [Table 25](#) to perform this analysis on a case by case basis.

MAXIMUM CURRENT DRAIN

The Maximum Current Drain is the maximum current drawn from the shelf power supply when it is at its minimum voltage (-42.5 Vdc). This determines the shelf fusing requirements. Use the 42.5 Vdc current data in [Table 18](#) through [Table 25](#) to determine the shelf fusing requirements for your particular HLU applications.

HLU-388 LIST 5 CARD CONNECTOR

Figure 27 shows the card-edge connector on the HLU-388 List 5. Active pins are highlighted in black.



* Fuse alarm is normally floating (0 to 80 Vdc max.) and at -48 Vdc (10mA max.) when activated.

Figure 27. HLU-388 List 5 Card-edge Connector

Network Management Control Bus

The HLU-388 List 5 provides a Network Management Control Bus on pin 104 of the card-edge connector. This allows the various PairGain Management System protocols to manage the HLU through the HLU-319 HiGain Management Unit. When the HLU-388 is under management, the MNGD message displays periodically on the HLU-388 List 5 front-panel display.



Some features of the HLU-388 List 5 are affected when it is under management. Consult the management unit practice for further information.

Fuse Alarm

Pin 117 on the card-edge connector is a Fuse Alarm that is driven to -48 Vdc through a 1000 Ω resistor when the onboard fuse opens.

CRAFT PORT

Figure 28 shows the pinout for the craft port connector and its connection to a DB-9 or DB-25 connector on a maintenance terminal.

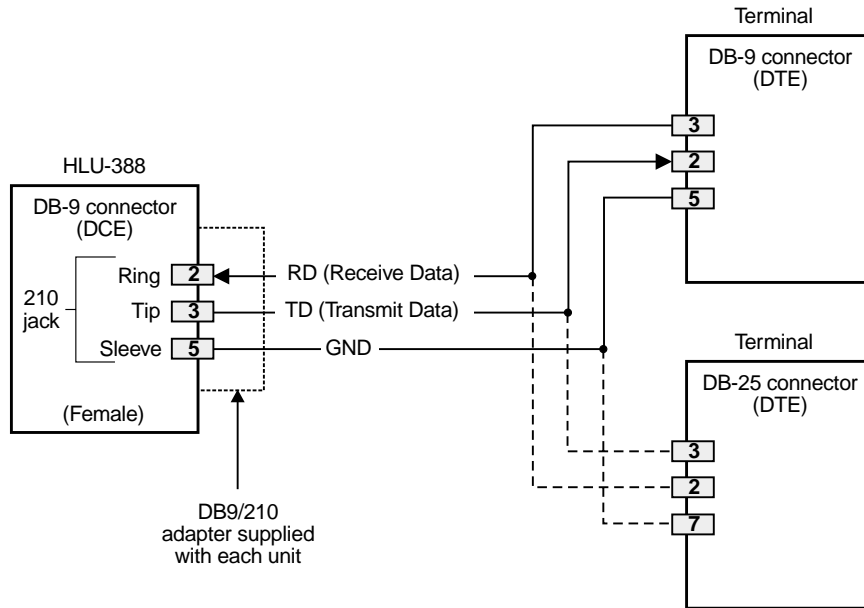


Figure 28. RS-232 Craft Port Pinouts

APPENDIX B - FUNCTIONAL OPERATION

PairGain HDSL technology provides full duplex services at standard T1 rates over copper wires between an HLU and an HRU, which comprise one HiGain system. HiGain systems use PairGain 2-Binary 1-Quaternary (2B1Q) HDSL transceiver systems to establish two, full duplex, 784 kbps data channels between the HLU-388 and a remotely located HDU or HRU. This provides a total capacity of 1.568 Mbps between the two units.

A block diagram of the HLU-388 is shown in Figure 29. The HLU-388 receives a 1.544 Mbps DSX-1 data stream from the DSX-1 digital cross connect interface. The HLU-388 contains a DS1 frame synchronizer controlled by an 8-bit microprocessor. This frame synchronizer determines the type of framing on the DS1 stream and synchronizes to it. The HLU-388 recognizes Superframe (SF), including D4, or Extended Superframe (ESF) framing. When the data is unframed, the HLU-388 arbitrarily defines a frame bit.

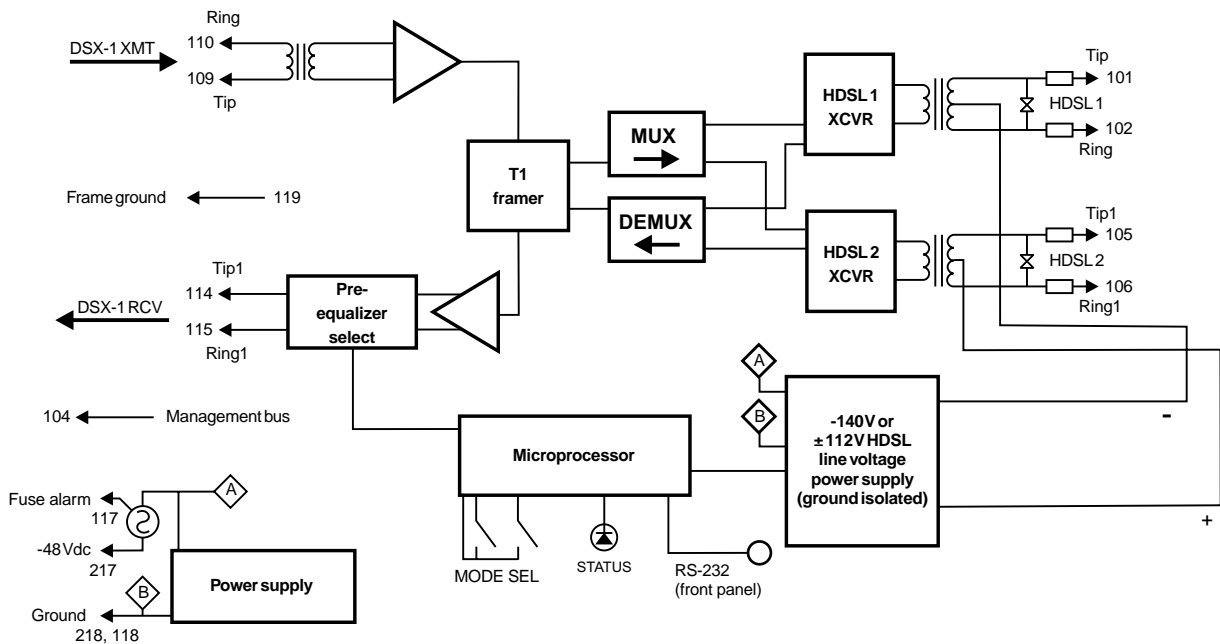


Figure 29. HLU-388 List 5 Block Diagram

TIMING

The low loop wander (0.3 UI max) of an HLU-388 List 5, when used with compatible doublers (HDU-409, HDU-404, or HDU-407) and remote units (HRU-402 or HRU-411), allows the circuit to be used in all critical timing applications, including those that are used to transport Stratum 1 timing.

GROUND FAULT DETECT

The HLU-388 has a Ground Fault Detect (GFD) circuit which detects a ground or a resistive path to ground on any wire of any loop of any span with a nonzero voltage. For low (-140 Vdc) applications, such a circuit is active during start-up by applying the bipolar voltage to the loops. It deactivates when going to the nominal operation mode of unipolar negative voltage (0 Vdc and -140 Vdc). The circuit is constantly active during high (± 112 Vdc) applications.

When the circuit is active, the system is compliant with Class A2 requirements of GR-1089. When the circuit is not active, the system is compliant with Class A3 requirements of GR-1089.

When the GFD circuit detects a grounded loop, the line power is immediately removed from the spans and a PWR FEED GND alarm is generated and displayed. The power is reapplied 30 seconds later as part of a new start-up procedure. If the ground condition persists on the span, the power is removed again once the GFD circuit detects the grounded loop.

The indication of the location of the ground fault can be obtained by monitoring the voltages on the spans on the HLU side as it sequentially powers devices in subsequent spans.

APPENDIX C - COMPATIBILITY

The HiGain system uses HDSL transmission technology as recommended by Bellcore TA-TSY-001210. The HiGain system complies with GR-63-CORE, TR-TSY-000499, and GR-1089-CORE.

T1 REPEATER SHELVES AND RELATED EQUIPMENT

The HLU-388 List 5 is compatible with the following DDM+ T1 repeater shelves and associated equipment:

- PairGain HCS-402, two-slot shelf with #150-1193-01 adapter
- Shelf (23-inch)
 - Larus FT2 1188 (28-slot, connectorized)
 - AT&T DS1 Ext. (28-slot, connectorized)
- Shelf (19-inch)
 - Larus FT21187 (20-slot, connectorized)
- Cabinet Distant Terminal (23-inch)
 - Larus FT2 1190 (12 slots) for a 51A cabinet.

HIGAIN DOUBLER CIRCUIT DEPLOYMENT

All generations of HiGain HLU and HRU modules are compatible with each other. Although all HiGain doublers are backward-compatible with all prior HLU and HRU models, some of the circuit application enhancements of newer doubler models require that all circuit modules be of the same vintage to realize these enhancements. Enhanced doubler applications preclude the mixing of newer doubler models with older models of the HRU and HLU.

Table 26 on page 64 provides a matrix of HiGain doubler deployment rules to achieve maximum circuit enhancement. It lists:

- Maximum number of doublers allowed for a given circuit, depending upon the doubler and line unit models used to implement the circuit.
- Any restrictions on the HRU models.



All spans are fully CSA-compliant unless otherwise specified. Circuits that use more than one type of doubler are governed by the most limiting doubler rules. For example, if the HDU-451 is used with the HDU-409, use the HDU-451 deployment rules.

Table 26. HiGain Doubler Deployment Matrix

HLU Model	Maximum Number of Doublers Per Circuit ^(a)											
	HDU-451, List 3, 3B, 4, 4B				HDU-437, 439				HDU-404, 407, 409			
	Line Powered		Local Powered		Line Powered		Local Powered		Line Powered		Local Powered	
	I-CPE ON	I-CPE OFF	I-CPE ON	I-CPE OFF	I-CPE ON	I-CPE OFF	I-CPE ON	I-CPE OFF	I-CPE ON	I-CPE OFF	I-CPE ON	I-CPE OFF
HLU-231 List 3D/6D HLU-319 List 2X; HLU-388 List 2X	1	1	2	2	1	1	2	2	1	1	2	2
HLU-231, List 7X; HLU-431, List 1D	1	1	2	2	1	2 ^(b)	2	2	1	2	2	2
HLU-231, List 8/8D/8E; HLU-388, List 5/5D/5E; HLU-388 List 5/5D/5E	1	2 ^(c)	2	2	1	2	2	2	2	3 ^(c)	2	4 ^(d)
HLU-431 List 1F	0	0	1	1	0	0	1	1	1	1	1	2

(a) HRU-411 applications with I-CPE "on" are limited to single doubler circuits (HDU-404, HDU-407, or HDU-409) using HLU-231 List 8, HLU-231 List 8D, or HLU-231 List 8E; HLU-319 List 5, HLU-319 List 5D or HLU-319 List 5E; and HLU-388 List 5, HLU-388 List 5D, or HLU-388 List 5E. The HRU-412, HDU-451, HDU-437, and HDU-439 are limited to applications with one and two doublers only.

(b) 2000 Ω maximum loop resistance. Requires HRU-412 List 7A, HRU-412 List 8A, HRU-402 or HRU-411.

(c) Requires HRU-402 or HRU-411.

(d) Requires a locally powered HRU-402.

APPENDIX D - PRODUCT SUPPORT

PairGain Customer Service Group provides expert pre-sales and post-sales support and training for all its products.

TECHNICAL SUPPORT

Technical assistance is available 24 hours a day, 7 days a week by contacting PairGain Customer Service Group at:

Telephone: 800.638.0031 or 714.730.3222
The 800 telephone support line is toll-free in the U.S. and Canada.

Fax: 714.832.9924

Email: support@pairgain.com

During normal business hours (7:30 AM to 5:30 PM, Pacific Time, Monday through Friday, excluding holidays), technical assistance calls are normally answered directly by a Customer Service Engineer. At other times, a request for technical assistance is handled by an on-duty Customer Service Engineer through a callback process. This process normally results in a callback within 30 minutes of initiating the request.

WORLD WIDE WEB

PairGain product and company information can be found at <http://www.pairgain.com> using any Web browser. To download PairGain product manuals from the Customer Site portion of the PairGain Web page, you need to provide a customer password. If you do not have a password, contact your PairGain sales representative.

RETURNS

To return equipment to PairGain:

- 1 Locate the number of the purchase order under which the equipment was purchased. To obtain a return authorization number, you need to provide the original purchase order number to PairGain's Return Material Authorization (RMA) Department.
- 2 Call or write PairGain's RMA Department to ask for an RMA number and any additional instructions. Use the telephone number, fax number or email address listed below:
 - Telephone: 800.370.9670
 - Fax: 714.832.9923
 - Email Address: rma@pairgain.com
- 3 Include the following information, in writing, along with the equipment you are returning:
 - Company name and address.
 - Contact name and telephone number.
 - The shipping address to which PairGain should return the repaired equipment.
 - The original purchase order number.
 - A description of the equipment that includes the model and part number of each unit being returned, as well as the number of units that you are returning.
 - The reason for the return. For example:
 - The equipment needs an ECO/ECN upgrade.
 - The equipment is defective.



If the equipment is defective, please tell us what you observed just before the equipment malfunctioned. Be as detailed in your description as possible.

- If there is another reason for returning the equipment, please let us know so we can determine how best to help you.
- 4 Pack the equipment in a shipping carton.
 - 5 Write PairGain's address and the RMA Number you received from the RMA Department clearly on the outside of the carton and return to:

PairGain Technologies, Inc.
14352 Franklin Ave.
Tustin, CA 92780-7013

Attention: **RMA (Number)**



All shipments are to be returned prepaid. PairGain will not accept any collect shipments.

APPENDIX E - GLOSSARY

2B1Q	2 Binary,1 Quaternary	ESF DL	Extended SuperFrame Data Link
ACO	Alarm Cut Off	GFD	Ground Fault Detection
AIS	Alarm Indication Signal indicating transmission of an all ones pattern	HCDS	High Capacity Digital Service
ALMP	Alarm Pattern	HCS	HiGain Central Office Shelf
AMI	Alternate Mark Inversion	HDSL	High-bit-rate Digital Subscriber Line
AWG	American Wire Gauge	HDU	HiGain Doubler Unit
B8ZS	Bipolar with 8-zero Substitution	HLU	HiGain Line Unit
BBS	Bulletin Board System	HMS	HiGain Management Shelf
BER	Bit Error Rate	HMU	HiGain Management Unit
BPV	Bipolar Violation	HRE	HiGain Remote Enclosure
BPVT	Bipolar Violation Transparency	HRU	HiGain Remote Unit
BRG	Bridge	I-CPE	Current (amperes) requirements for Customer Premises Equipment
CDI	Customer Disconnect Indicator	ILR	Intelligent Line Repeater
CI	Customer Interface	IOR	Intelligent Office Repeater
CLEI	Common Language Equipment Identifier	IR	Intelligent Repeater
CLOC	Customer Local Loopback	LED	Light Emitting Diode
CO	Central Office	LOS	Loss of Signal
COM	Communications	LOSW	Loss of Sync Word
CPE	Customer Premises Equipment	NEBS	Network Equipment Building System
CRC	Cyclic Redundancy Check	NEC	National Electric Code
CREM	Customer Remote Loopback	NI	Network Interface
CSA	Carrier Service Area	NID	Network Interface Device
CSU	Channel Service Unit	NIU	Network Interface Unit
DCE	Data Circuit-Terminating Equipment	NLOC	Network Local Loopback
DDS	Digital Data Service	NMA	Network Management and Administration
DIS	Disabled	NREM	Network Remote Loopback
DLC	Digital Loop Carrier	NVRAM	Non-Volatile Random Access Memory
DS0	Digital Signal, level 0	ORB	Office Repeater Bay
DSX-1	DS1 Frame	PCS	Personal Communication Services
DS1	Digital Signal, level 1	PL	Payload
ECI	Equipment Catalog Item	POTS	Plain Old Telephone Service
ENA	Enabled	PPM	Pulse Position Modulation
ENFT	Enable Fractional T1	PWRF	Power Feed
ES	Errored Seconds	RCV	Receive
ESF	Extended SuperFrame	RDA	Remote DS1 Alarm

RLOS	Remote Loss of Signal	TEC	Total Error Count
RMA	Return Material Authorization	TLOS-LB	Transmit Loss of Signal-Loopback
SAIS	SmartJack AIS	TSEC	Total System Error Count
SF	Super Frame	TSGR	Transport System Generic Requirements
SMJK	SmartJack	UAS	Unavailable Seconds
SNR	Signal-to-Noise Ratio	XMT	Transmit
SPLB	Special Loopback		
STS	Span Terminating Shelf		

CERTIFICATION AND WARRANTY

FCC CLASS A COMPLIANCE

This equipment has been tested and found to comply with the limits for a Class A digital device, pursuant to part 15 of the FCC Rules. These limits are designed to provide reasonable protection against harmful interference when the equipment is operated in a commercial environment. This equipment generates, uses, and can radiate radio frequency energy and, if not installed and used in accordance with the instruction manual, may cause harmful interference to radio communications. Operation of this equipment in a residential area is likely to cause harmful interference in which case the user will be required to correct the interference at his own expense.

LIMITED WARRANTY

LIMITED WARRANTY: Seller warrants its Products to be free from defective material and faulty workmanship for a period of five (5) years during normal use from date of shipment by Seller (except for Products known as Avidia which are warranted for one (1) year on hardware, ninety (90) days on software, Products known as PG-2 which are warranted for two (2) years and for HOM and EVAL board or chip level Products which are warranted for one (1) year). Seller's obligations under this warranty are limited to replacing or repairing, at Seller's option, any such Product which is returned during the warranty period in accordance with Seller's instructions, all transportation charges prepaid by Buyer, and which Product, in Seller's sole opinion, is determined to be defective upon examination at its factory. Transportation charges for the return of all repaired or replaced Product from Seller's facility will be paid by Seller. Seller may use reconditioned parts or Products for such repair or replacement. This warranty applies only to Seller products sold directly by its employees, or indirectly through its authorized agents, distributors, or resellers. This warranty does not apply to any Product which has been repaired, worked upon or altered by persons not so authorized by Seller or in Seller's sole judgment has been subject to misuse, negligence, accident, fire or other casualty, or operation beyond its design range. This warranty also does not apply to any of Seller's Products which have been connected, installed, used, adjusted or in which operating materials have been installed or materials assembled otherwise than in accordance with the instructions furnished by Seller. Products repaired or replaced by Seller under warranty will continue to be warranted according to the provisions of this Section 9 for the duration of the initial warranty period or for six (6) months after repair or replacement, whichever is longer. Without impacting the form, fit, or function of its Products, Seller reserves the right to make changes in the design or construction of any of its Products at any time without incurring any obligation to make any changes whatsoever on units previously purchased, nor shall any such changes create any implication whatsoever that any Product manufactured or furnished without such changes is in any way defective. EXCEPT AS TO TITLE AND INFRINGEMENT (AS SET FORTH IN SECTION 8 ABOVE), THIS WARRANTY IS EXCLUSIVE AND IN LIEU OF ALL OTHER WARRANTIES, STATUTORY, EXPRESSED OR IMPLIED, INCLUDING WITHOUT LIMITATION THE IMPLIED WARRANTIES OF MERCHANTABILITY AND FITNESS FOR A PARTICULAR PURPOSE. THE EXCLUSIVE REMEDY FOR DEFECTIVE PRODUCTS SHALL BE ONLY AS STATED HEREIN. NO OTHER REPRESENTATIVE OR PERSON IS AUTHORIZED TO REPRESENT OR ASSUME FOR SELLER ANY LIABILITY IN CONNECTION WITH THE SALE OF SELLER'S PRODUCTS OTHER THAN AS SET FORTH HEREIN.

RETURNS

PairGain continues to repair faulty modules beyond the warranty program at a nominal charge. Contact your PairGain sales representative for details and pricing. Refer to the instructions under ["Returns"](#) on [page 66](#) for complete return instructions.

MODIFICATIONS

Any changes or modifications made to this device that are not expressly approved by PairGain Technologies, Inc. may void the user's warranty. All wiring external to the products should follow the provisions of the current edition of the National Electrical Code.

STANDARDS COMPLIANCE

The HLU-388 List 5 has been tested and verified to comply with the applicable sections of the following standards.

- GR 63-CORE - Network Equipment-Building System (NEBS) Requirements: Physical Protection
- GR 1089-CORE - Electromagnetic Compatibility and Electrical Safety

For technical assistance, refer to ["Appendix D - Product Support"](#) on [page 65](#).

Corporate Office

14402 Franklin Avenue
Tustin, CA 92780

Tel: 714.832.9922

Fax: 714.832.9924

For Technical Assistance:

800.638.0031

714.730.3222

